



(12) **United States Design Patent**
Hanna

(10) **Patent No.:** **US D628,270 S**
(45) **Date of Patent:** **** Nov. 30, 2010**

(54) **SHOWERHEAD**

(75) Inventor: **Ken S. Hanna**, Adell, WI (US)

(73) Assignee: **Kohler Co.**, Kohler, WI (US)

(**) Term: **14 Years**

(21) Appl. No.: **29/356,677**

(22) Filed: **Mar. 1, 2010**

(51) **LOC (9) Cl.** **23-01**

(52) **U.S. Cl.** **D23/213**

(58) **Field of Classification Search** D23/213,
D23/223, 229–230; 239/282–283, 462; 4/615,
4/601

See application file for complete search history.

(56) **References Cited**

U.S. PATENT DOCUMENTS

D584,793 S * 1/2009 Sieger D23/213
D590,476 S * 4/2009 Schonherr et al. D23/213

FOREIGN PATENT DOCUMENTS

EM 000394762-0001 11/2005
EM 000394762-0002 11/2005
EM 000394762-0003 11/2005
EM 000394762-0004 11/2005
EM 000394762-0005 11/2005

OTHER PUBLICATIONS

Newform. Pivoting Showerhead. Tendair.com online catalog.
Dombrecht. "Symetrics". 2 Valves with diverter, watersheet wall-mounted cascade bath spout and complete hand shower set. Dombrecht online catalog.

* cited by examiner

Primary Examiner—Robin V Webster

(74) *Attorney, Agent, or Firm*—Quarles & Brady LLP

(57) **CLAIM**

The ornamental design for a showerhead, as shown and described.

DESCRIPTION

FIG. 1 is a right, bottom, front perspective view of a showerhead according to my new design;

FIG. 2 is a right side elevational view thereof, the left side elevational view thereof being a mirror image of the right side shown;

FIG. 3 is a top plan view thereof;

FIG. 4 is a bottom plan view thereof;

FIG. 5 is a front elevational view thereof;

FIG. 6 is a rear elevational view thereof;

FIG. 7 is a right, bottom, front perspective view of a showerhead according to another embodiment of my new design;

FIG. 8 is a right side elevational view thereof, the left side elevational view thereof being a mirror image of the right side shown;

FIG. 9 is a top plan view thereof;

FIG. 10 is a bottom plan view thereof;

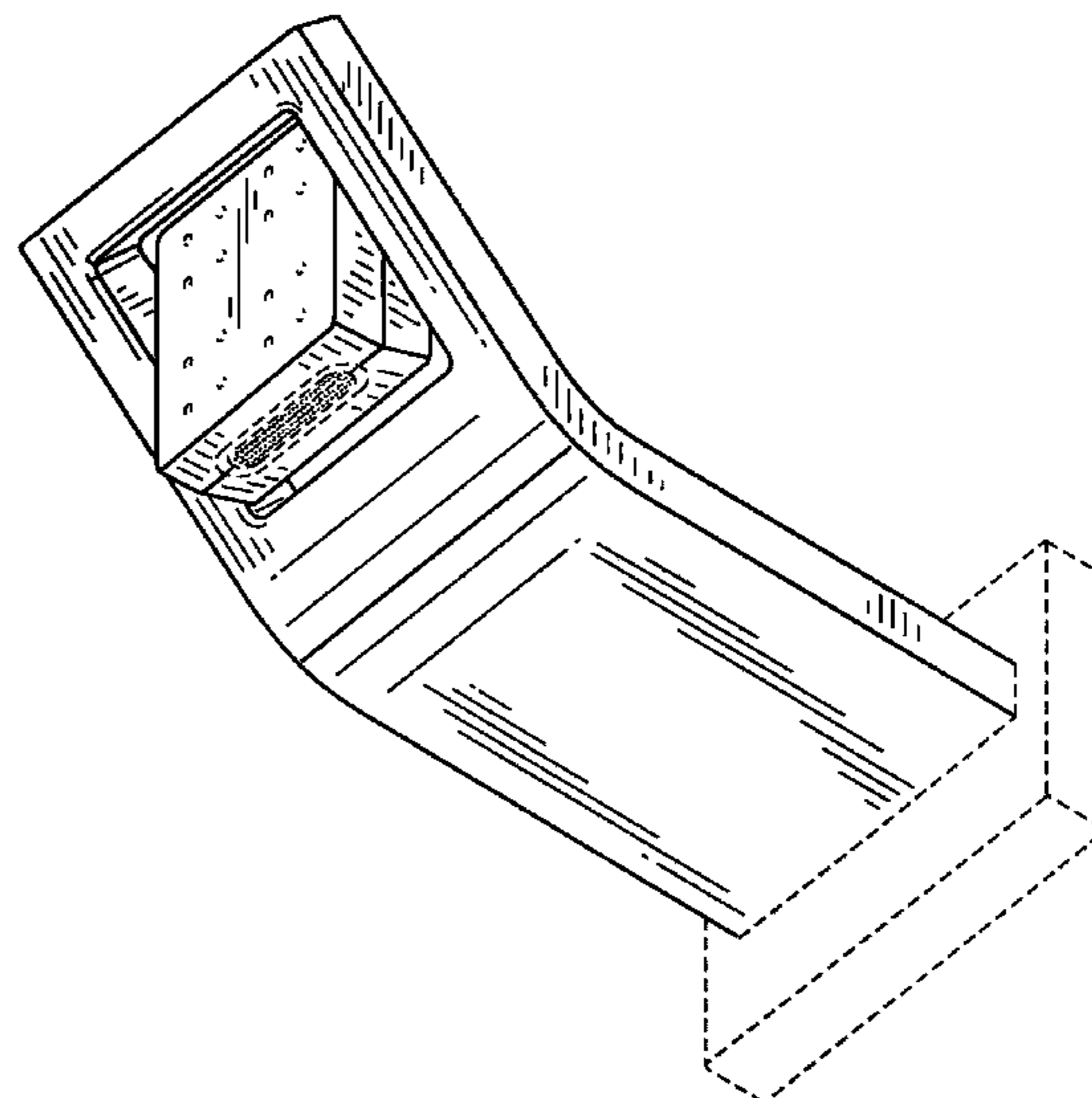
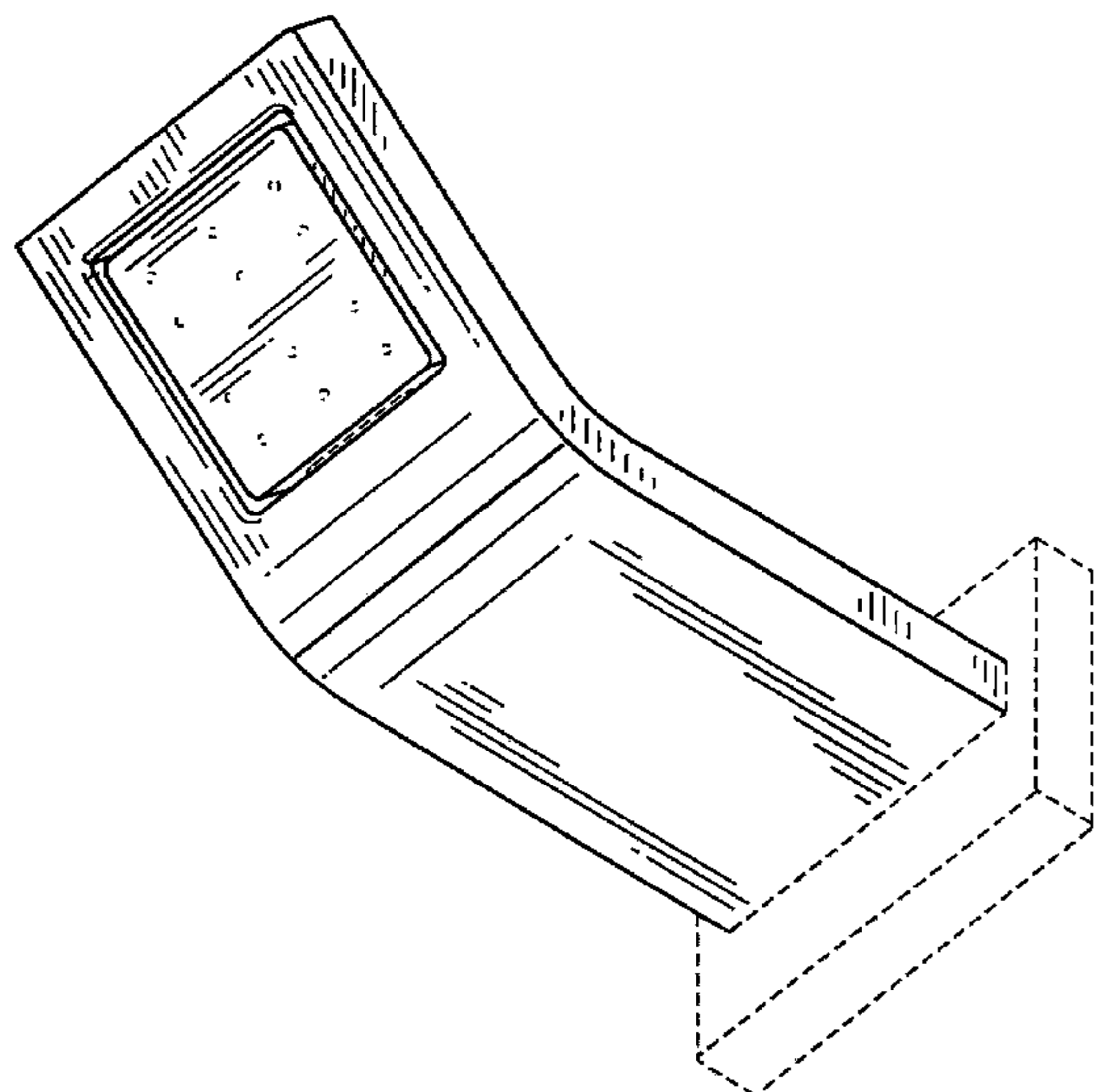
FIG. 11 is a front elevational view thereof; and,

FIG. 12 is a rear elevational view thereof.

The broken line representations in the figures are for the purpose of illustration only, and form no part of the claimed design.

In a preferred embodiment, the nature of this product is a showerhead, such as a hand shower, primarily useful for washing the human body.

1 Claim, 6 Drawing Sheets



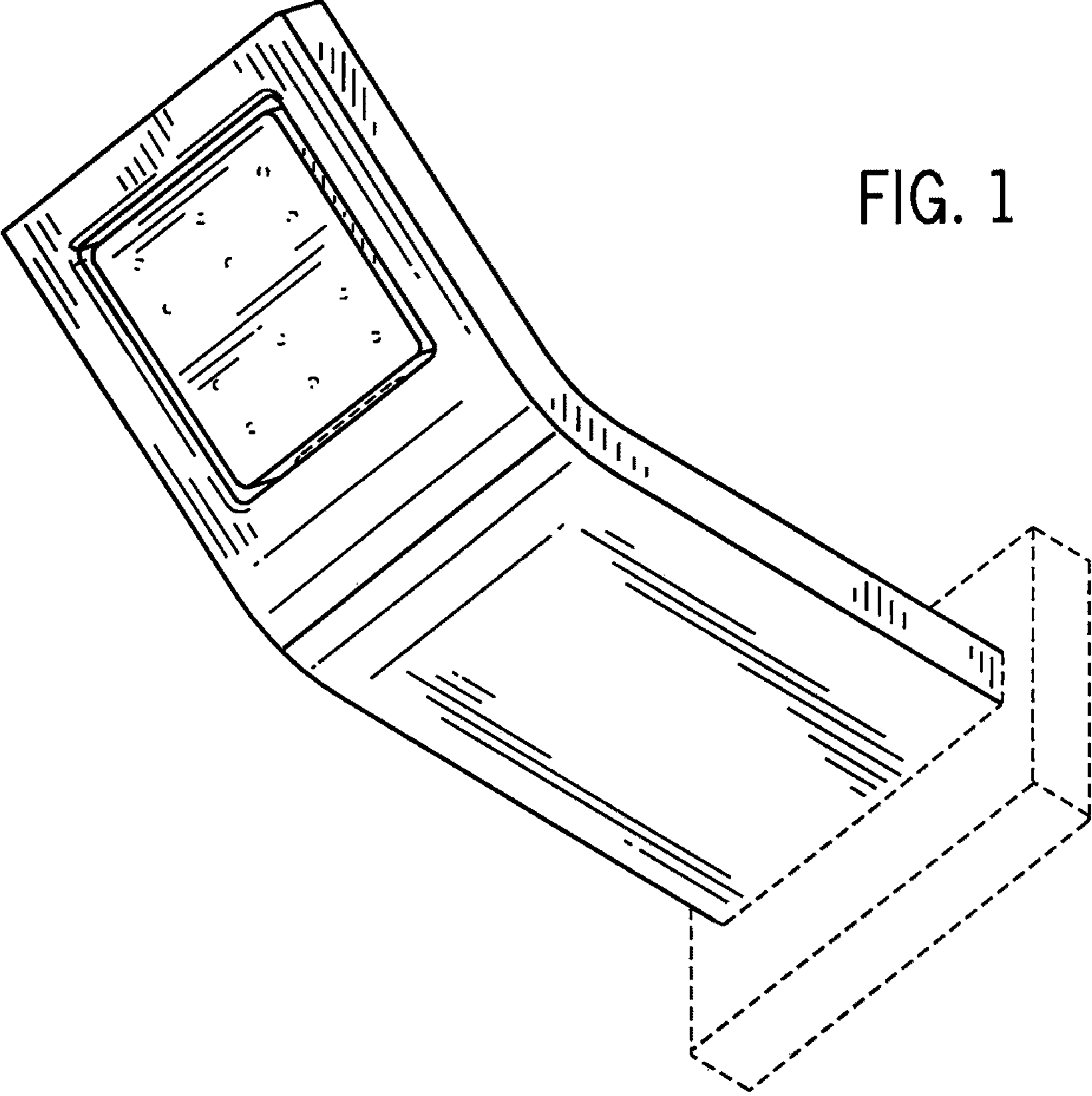


FIG. 1

FIG. 2

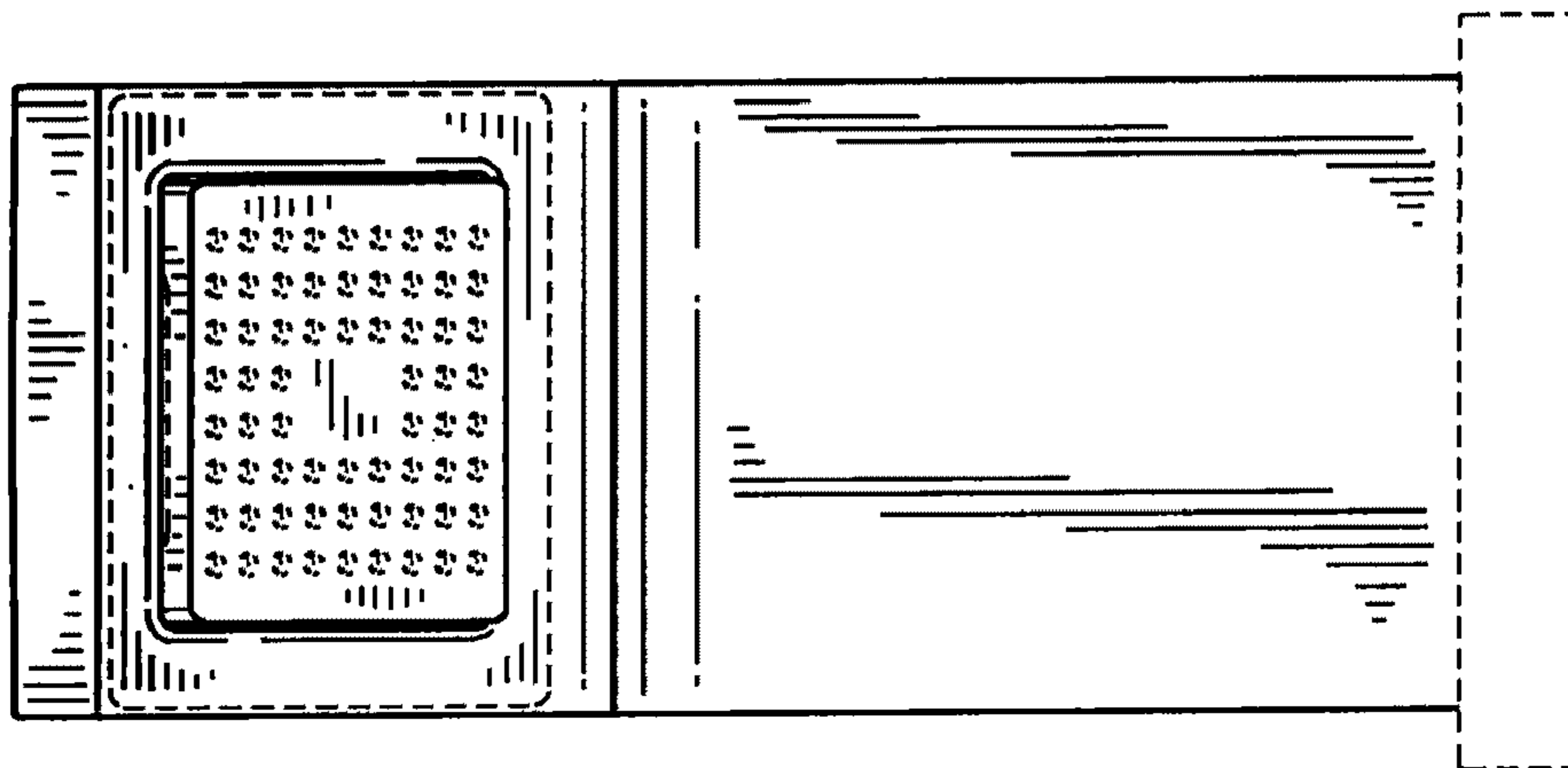
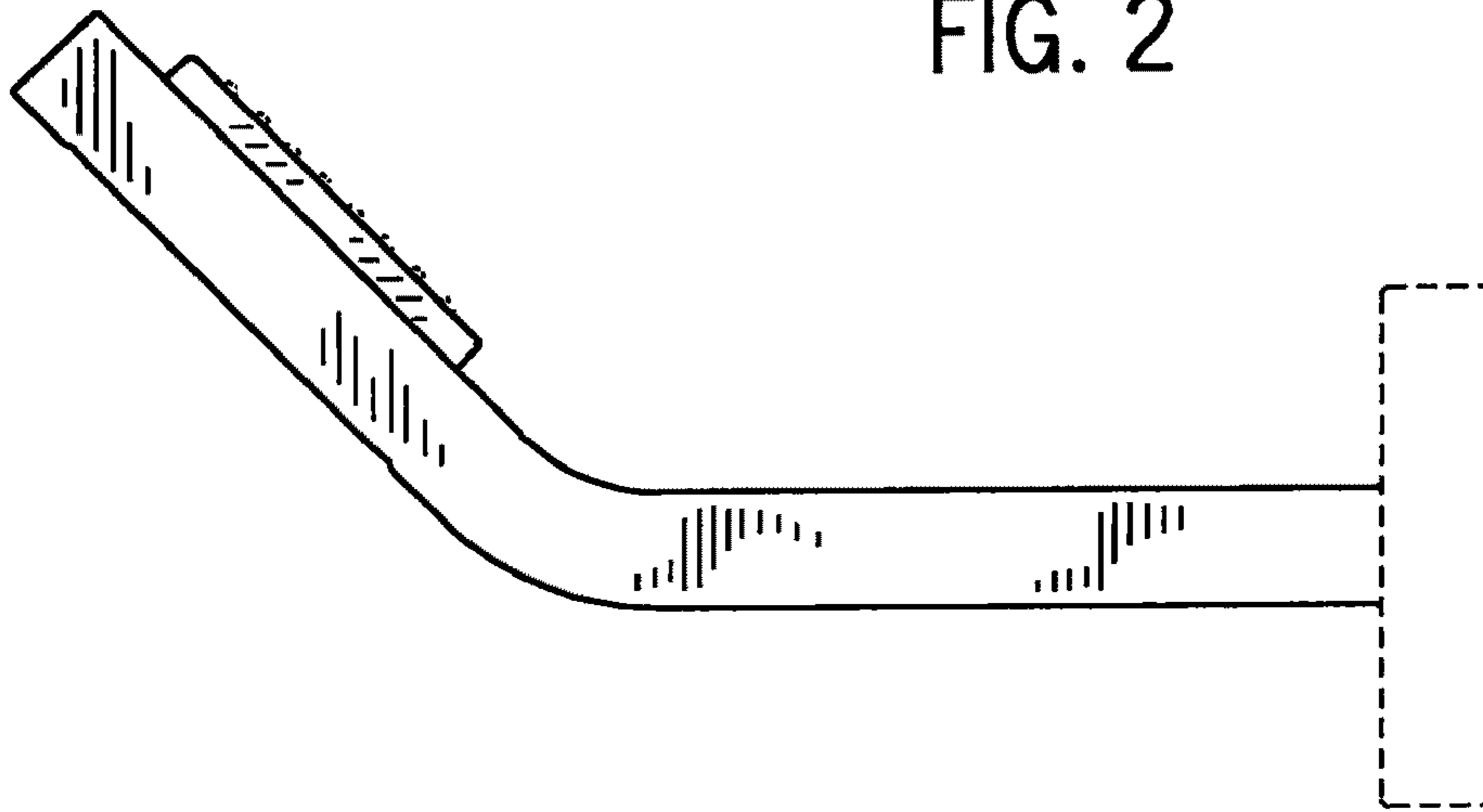


FIG. 3

FIG. 4

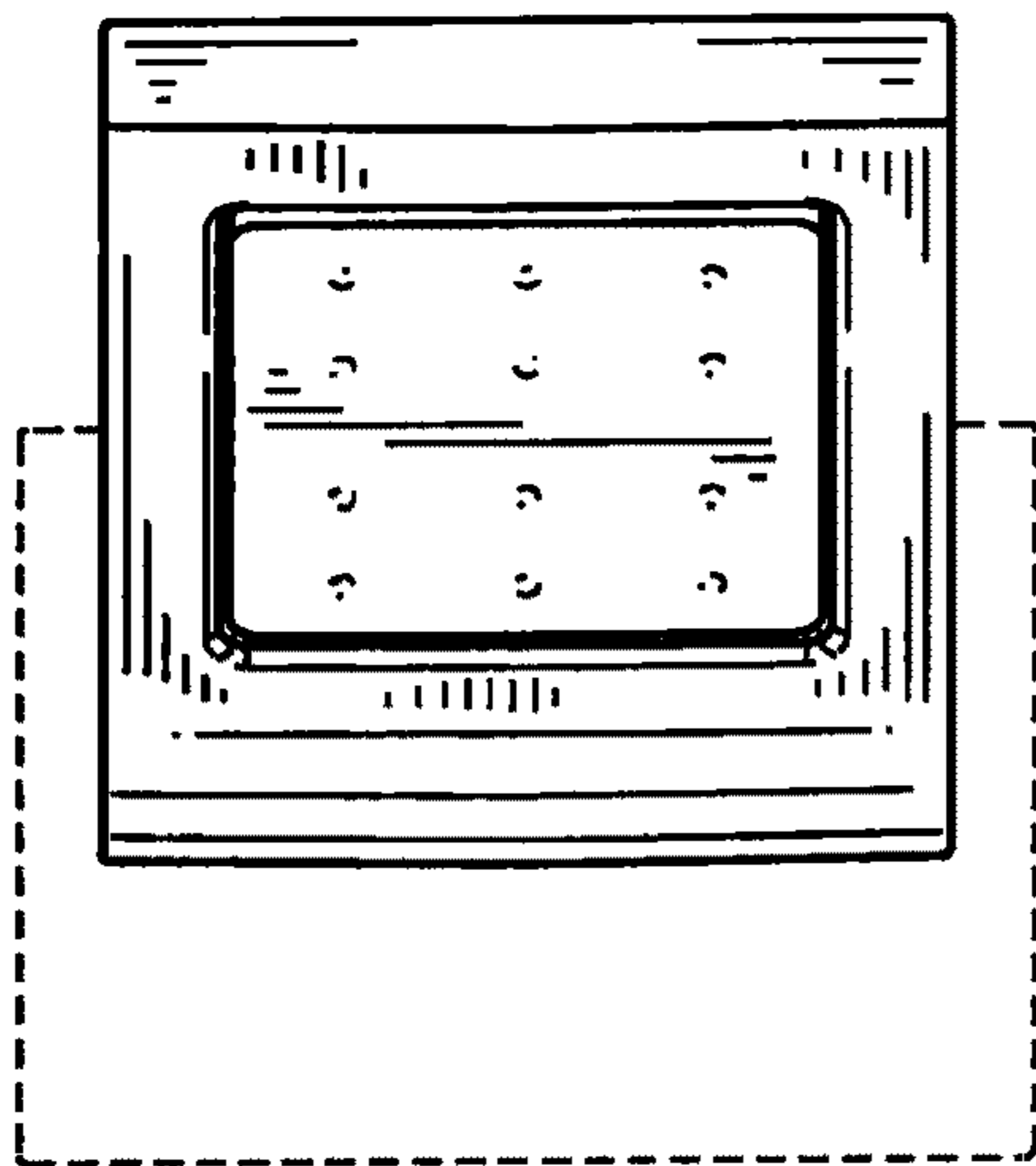
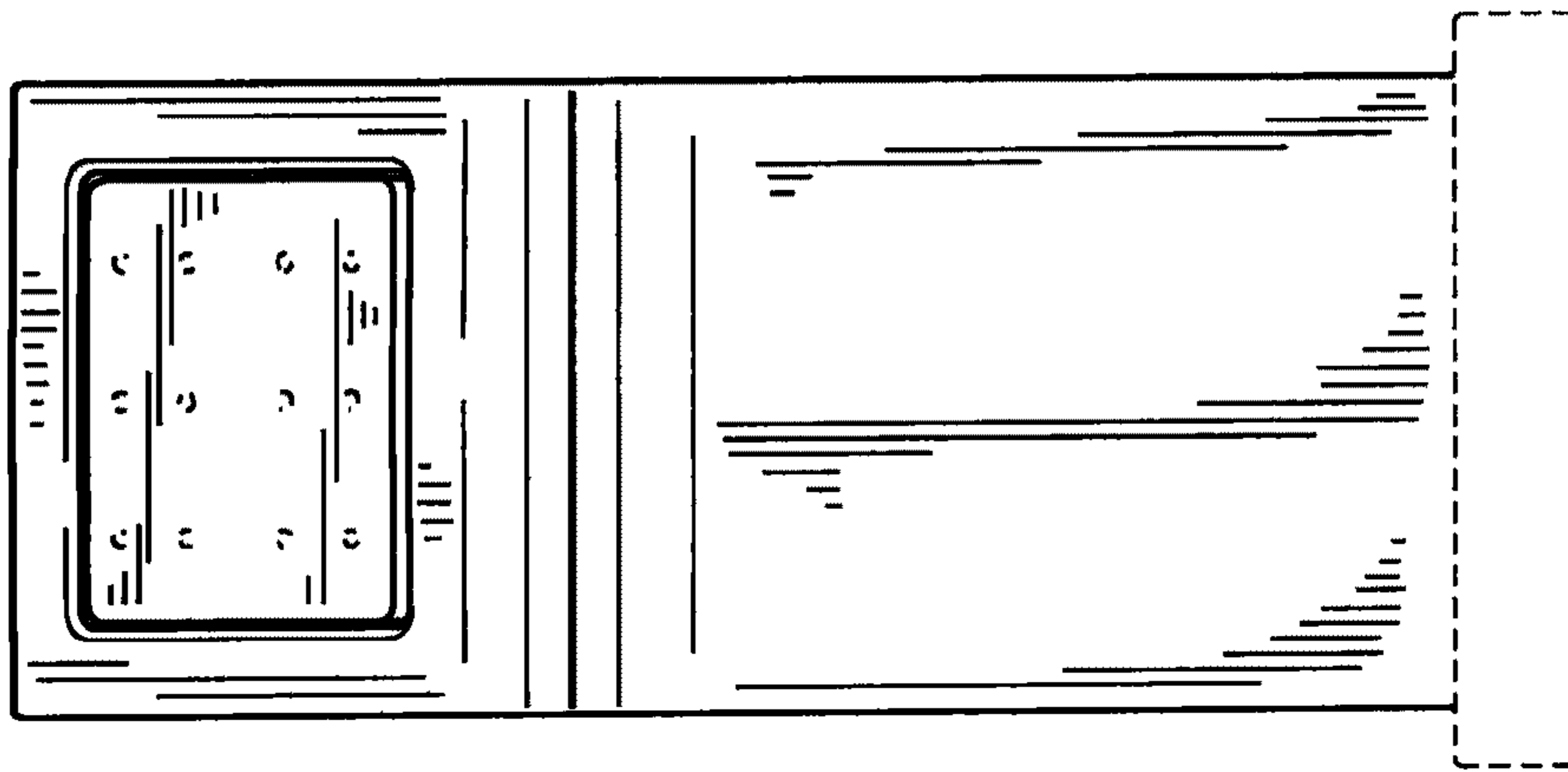


FIG. 5

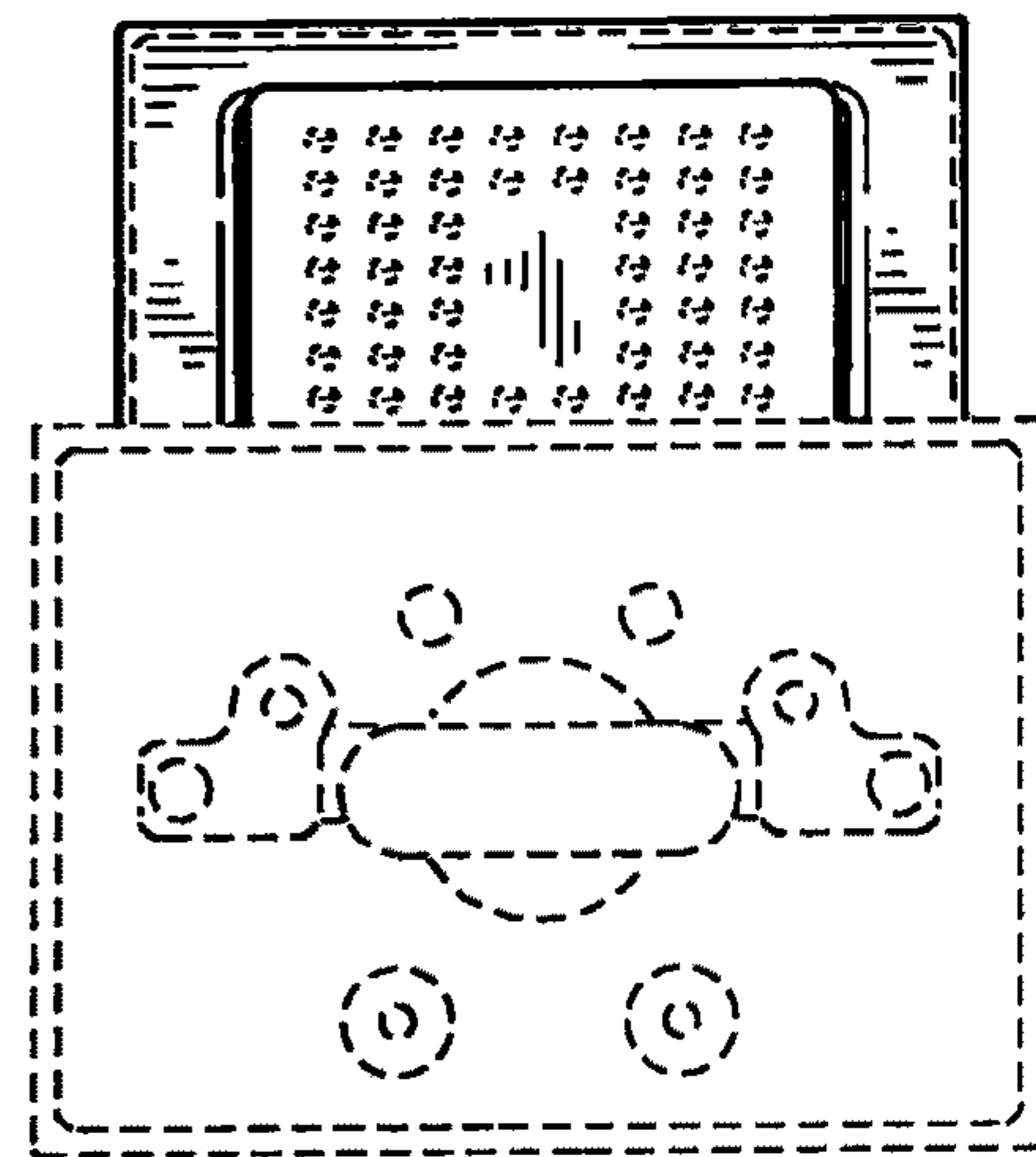


FIG. 6

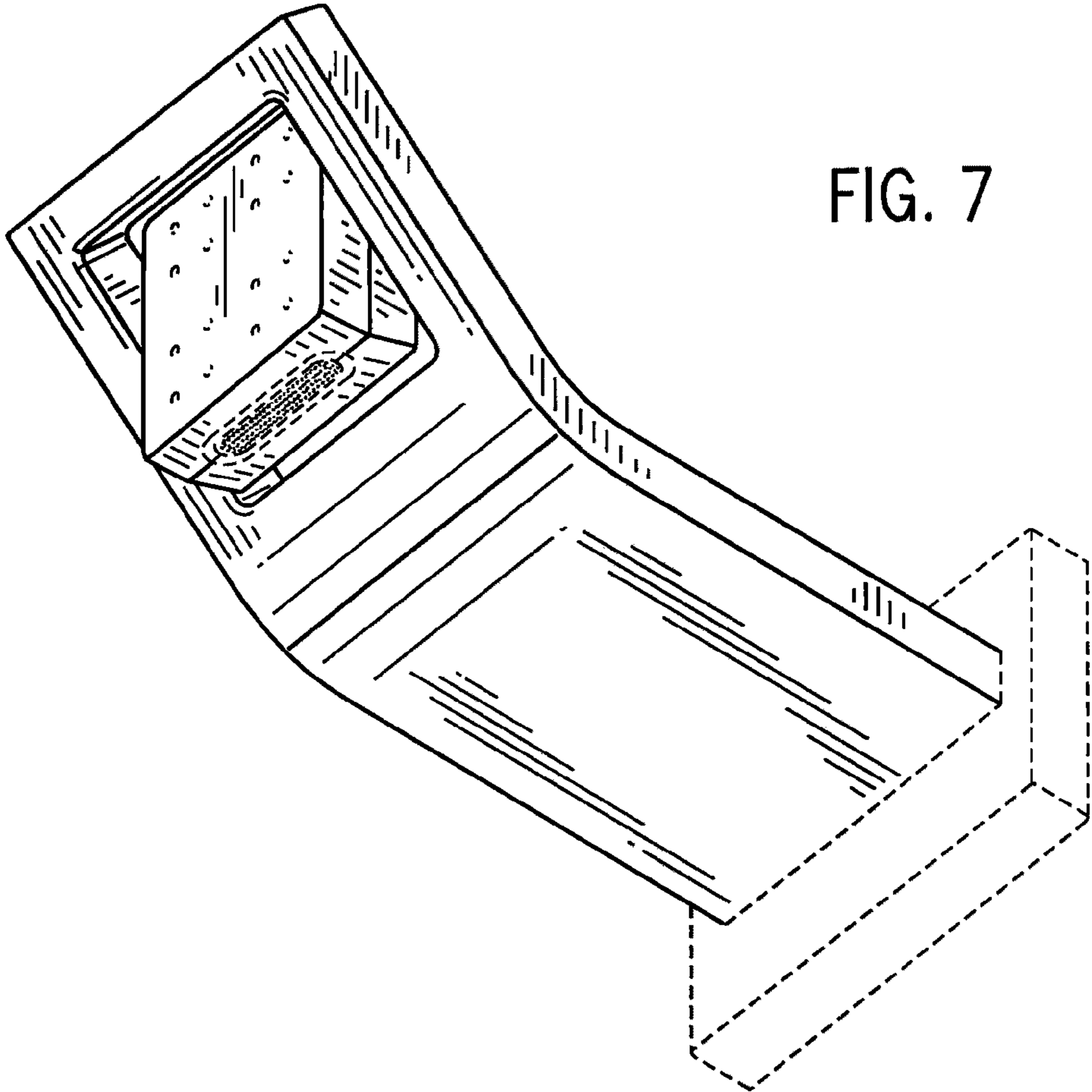


FIG. 8

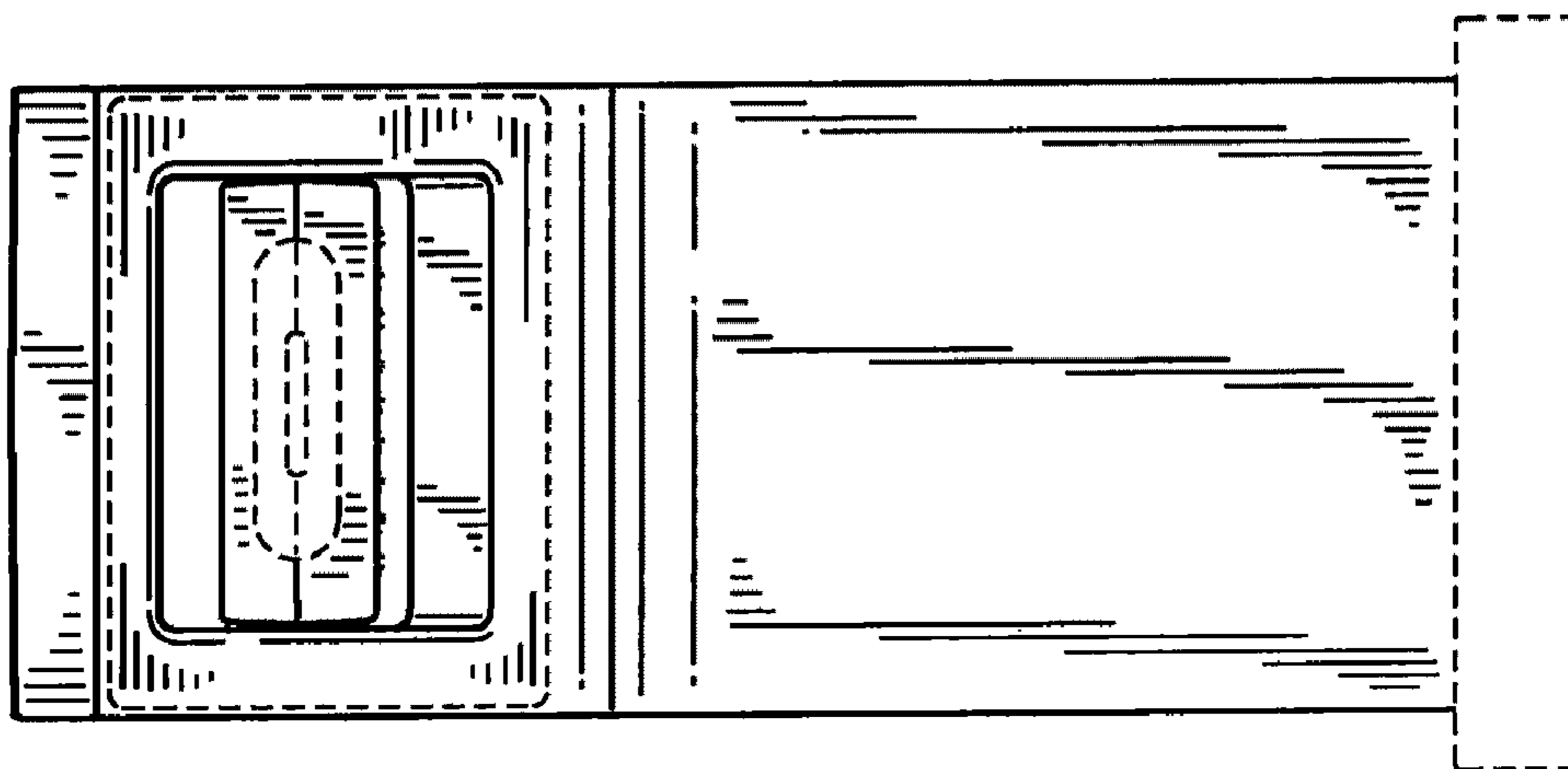
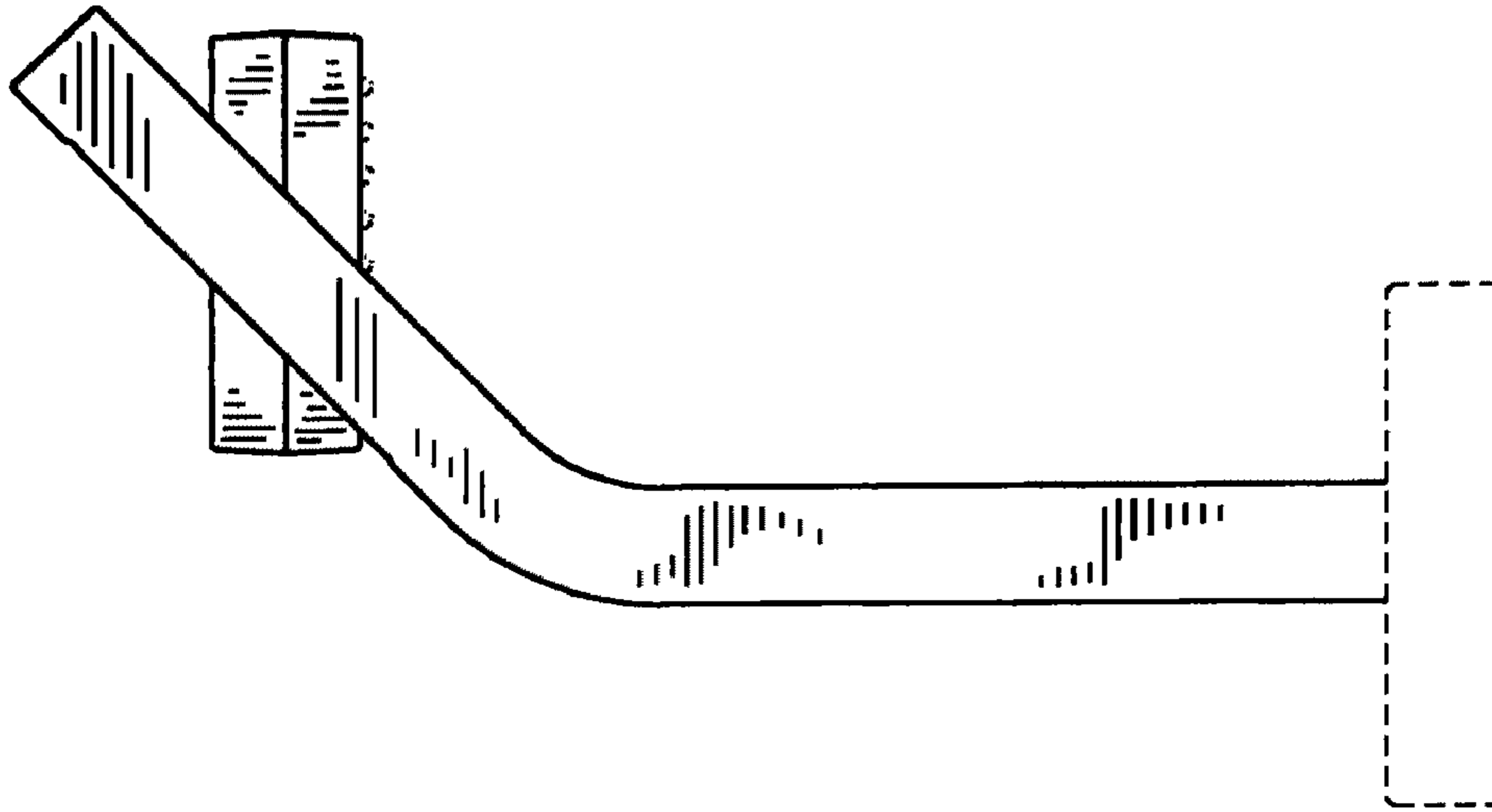


FIG. 9

FIG. 10

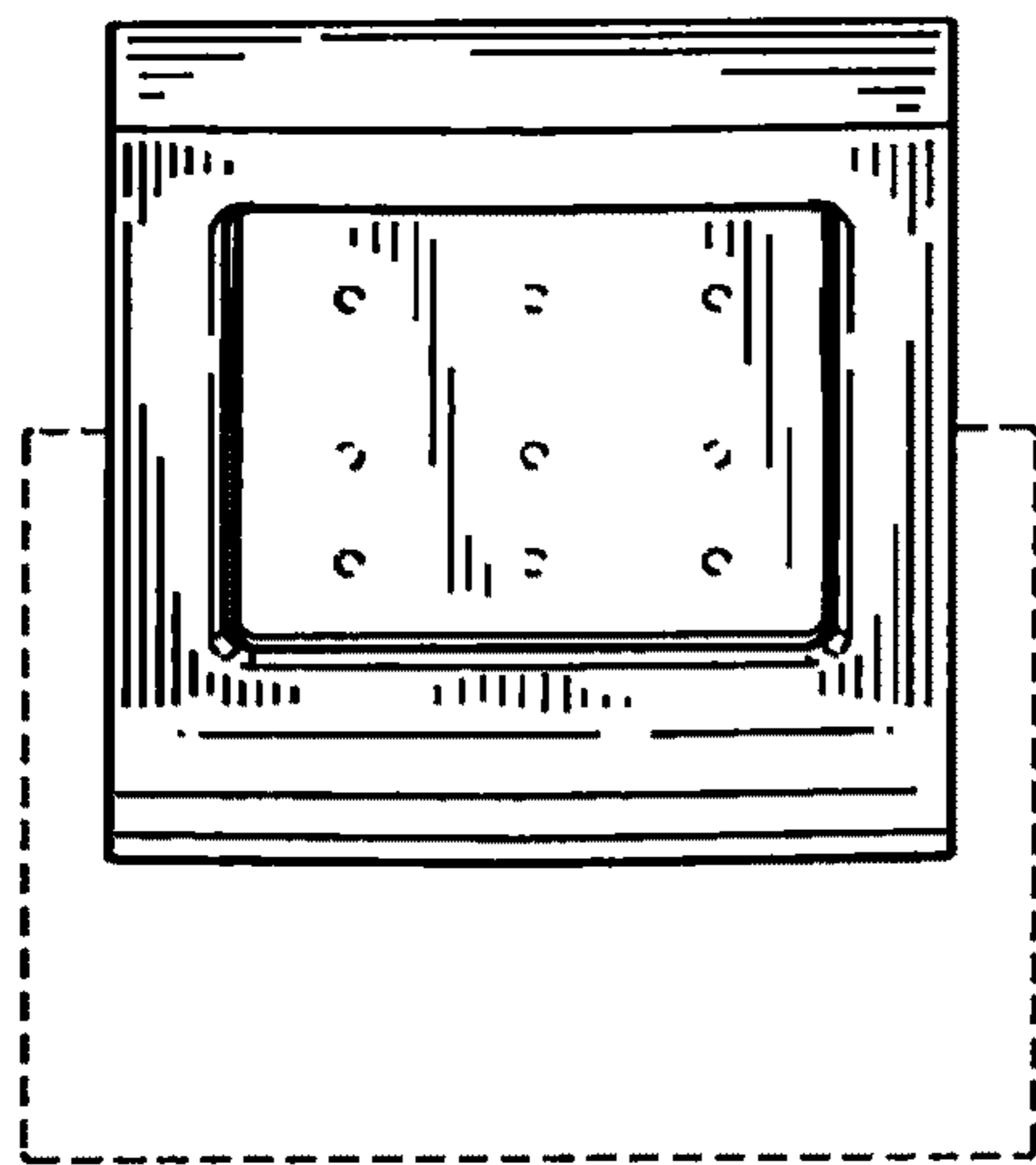
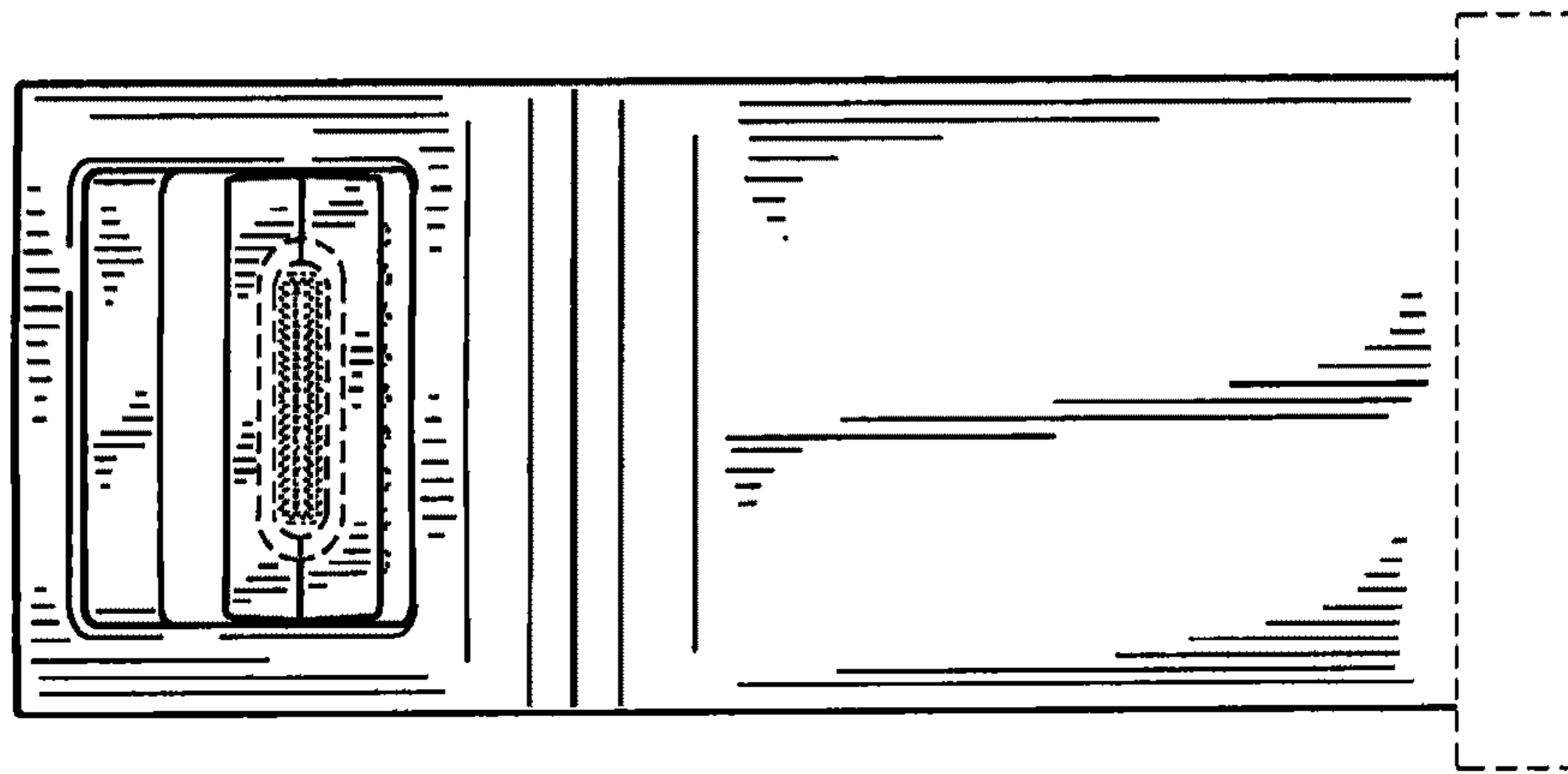


FIG. 11

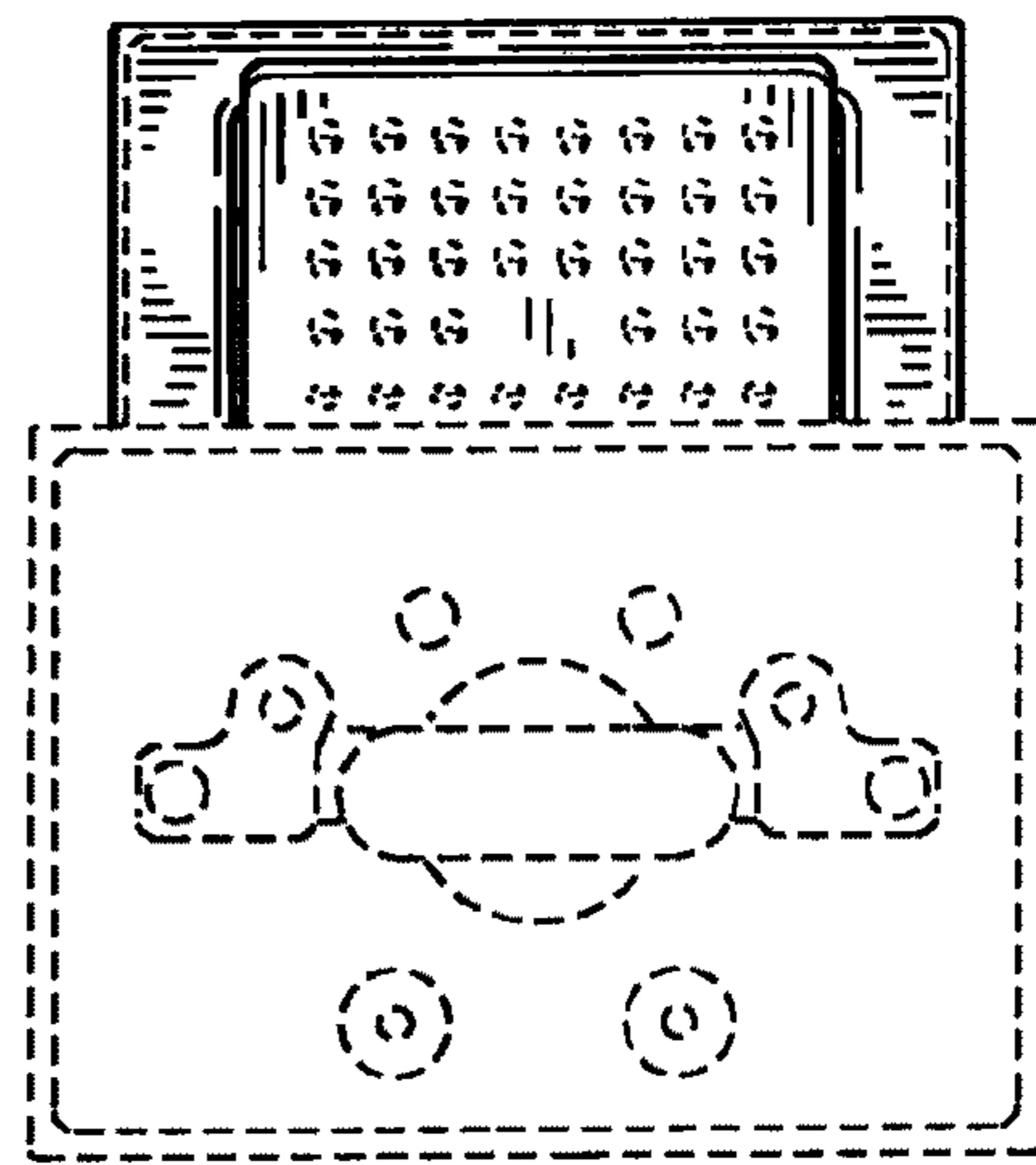


FIG. 12