



US00D628265S

(12) **United States Design Patent**
Schwartz

(10) **Patent No.:** **US D628,265 S**

(45) **Date of Patent:** **** Nov. 30, 2010**

(54) **FISHING ROD SLING**

(76) Inventor: **Darrell Schwartz**, 335 Rich Hall Rd.,
Quakertown, PA (US) 18951

(**) Term: **14 Years**

(21) Appl. No.: **29/361,998**

(22) Filed: **May 19, 2010**

(51) **LOC (9) Cl.** **22-05**

(52) **U.S. Cl.** **D22/147; D3/221**

(58) **Field of Classification Search** D22/147,
D22/137-138, 199; 43/21.2, 23, 25; 224/219,
224/222, 240-241, 245, 267, 661, 922; 206/315.1,
206/315.11; D3/221, 224, 228

See application file for complete search history.

(56) **References Cited**

U.S. PATENT DOCUMENTS

774,143	A	11/1904	Adams	
2,212,212	A	8/1940	Planitz	
2,443,946	A	6/1948	Bozorth, Jr.	
2,869,276	A	1/1959	Hagen	
5,082,156	A	1/1992	Braun	
5,159,775	A	11/1992	Sutula, Jr.	
5,237,769	A *	8/1993	Navarro	43/21.2
D353,262	S	12/1994	Cantavespre et al.	
5,815,977	A	10/1998	Hill, Jr.	
5,910,004	A	6/1999	Antosh	
6,493,982	B1 *	12/2002	Macaluso	43/25
6,748,691	B2	6/2004	Doucette	
7,124,536	B2	10/2006	Harkey	
D548,303	S *	8/2007	Hernandez	D22/147
7,707,766	B2 *	5/2010	Millen et al.	43/23

2007/0214708 A1 9/2007 Millen et al.

* cited by examiner

Primary Examiner—Catherine R Oliver

(74) *Attorney, Agent, or Firm*—Howson & Howson LLP

(57) **CLAIM**

The ornamental design for a fishing rod sling, as shown.

DESCRIPTION

FIG. 1 is a perspective view of a fishing rod sling according to my new design securing an end of a fishing pole to the wrist of its user, the phantom showing of the fishing rod and wrist of the user forming no part of the claimed design;

FIG. 2 is a perspective view of a fishing rod sling according to my new design securing an end of another type of fishing pole to the wrist of its user, the phantom showing of the fishing rod and wrist of the user forming no part of the claimed design;

FIG. 3 is a perspective view of a fishing rod sling according to my new design;

FIG. 4 is a front elevational view of the fishing rod sling of FIG. 3;

FIG. 5 is a rear elevational view of the fishing rod sling of FIG. 3;

FIG. 6 is a right side elevational view of the fishing rod sling of FIG. 3;

FIG. 7 is a left side elevational view of the fishing rod sling of FIG. 3;

FIG. 8 is a top plan view of the fishing rod sling of FIG. 3; and, FIG. 9 is a bottom plan view of the fishing rod sling of FIG. 3.

1 Claim, 4 Drawing Sheets

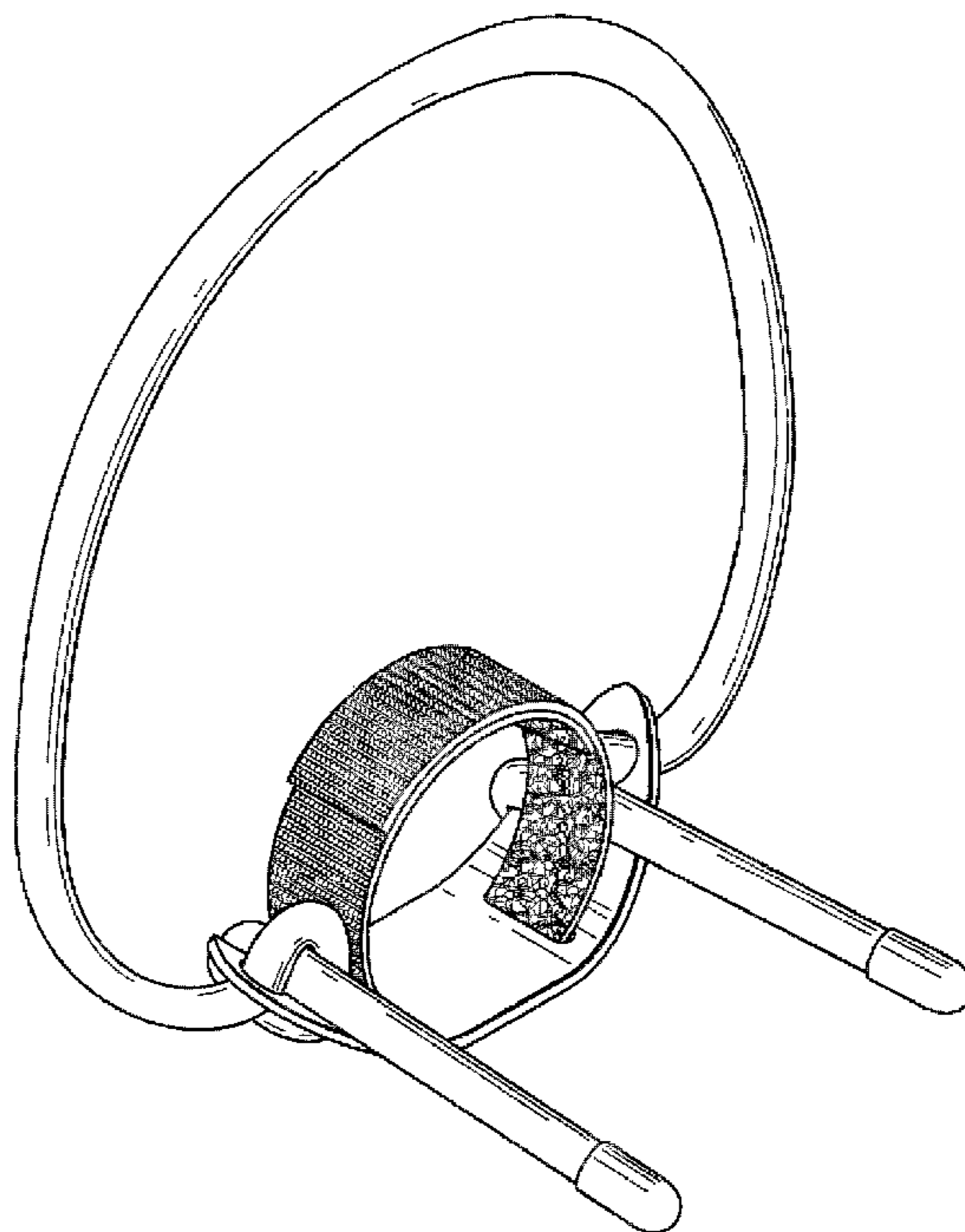


FIG. 1

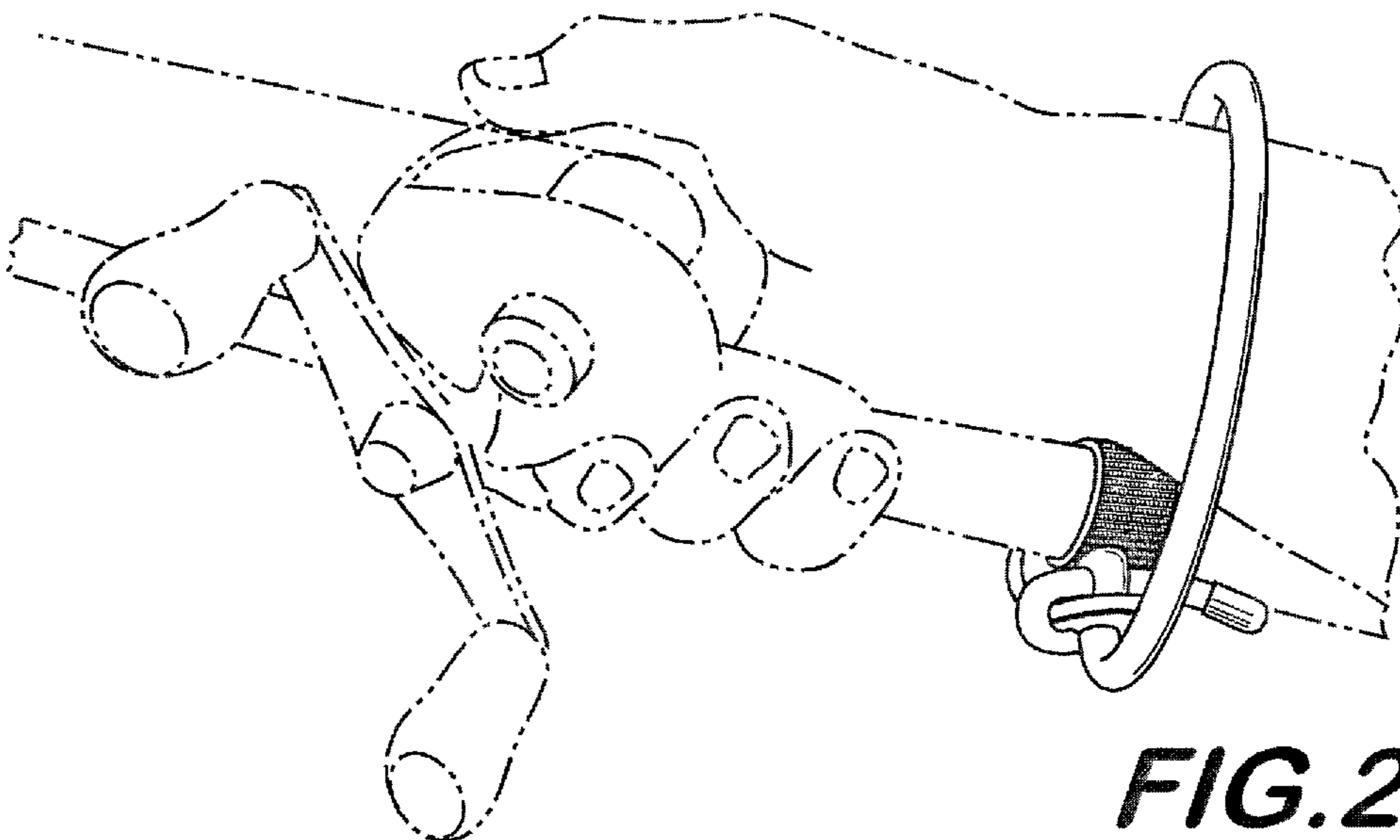
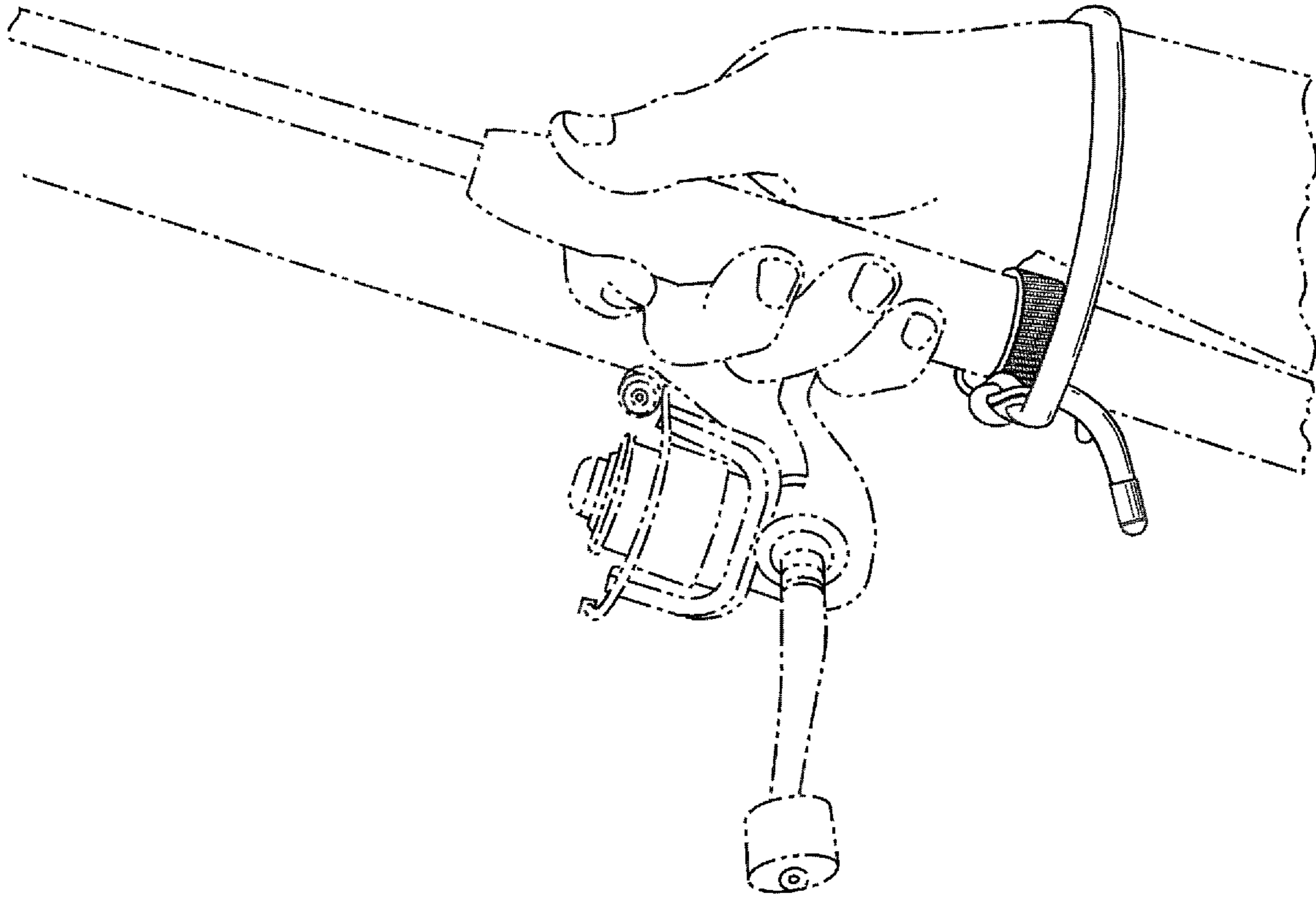


FIG. 2

FIG. 3

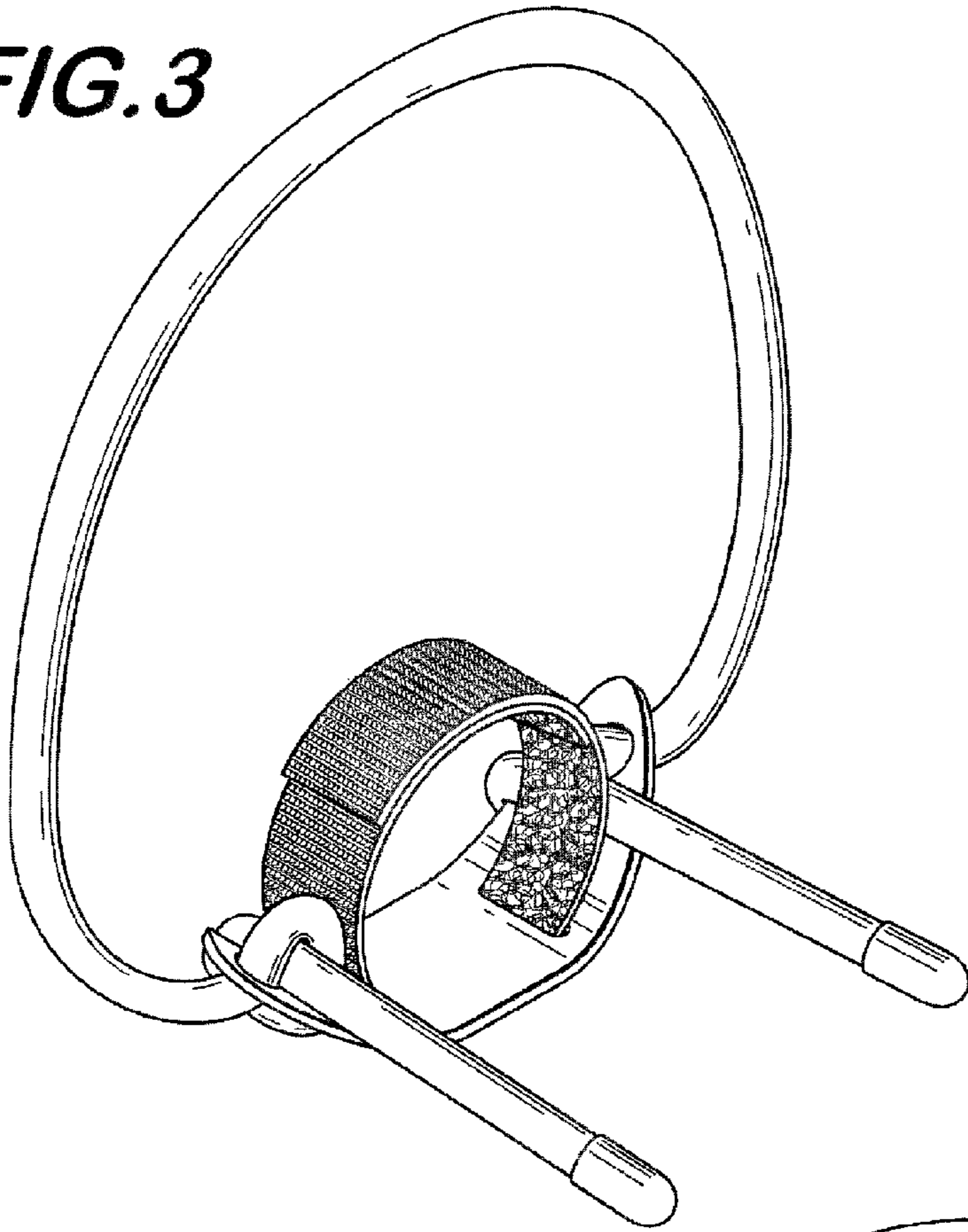
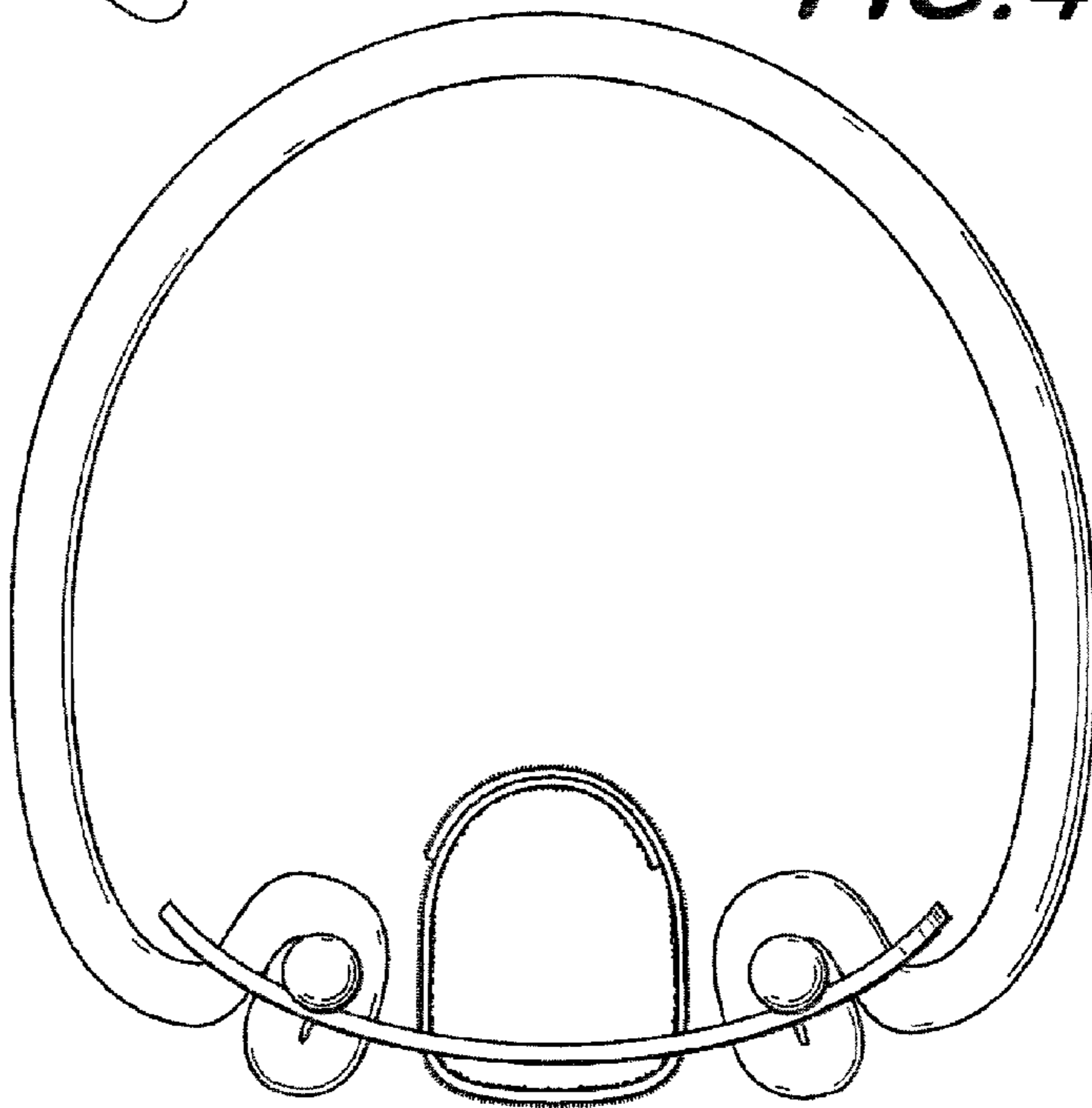


FIG. 4



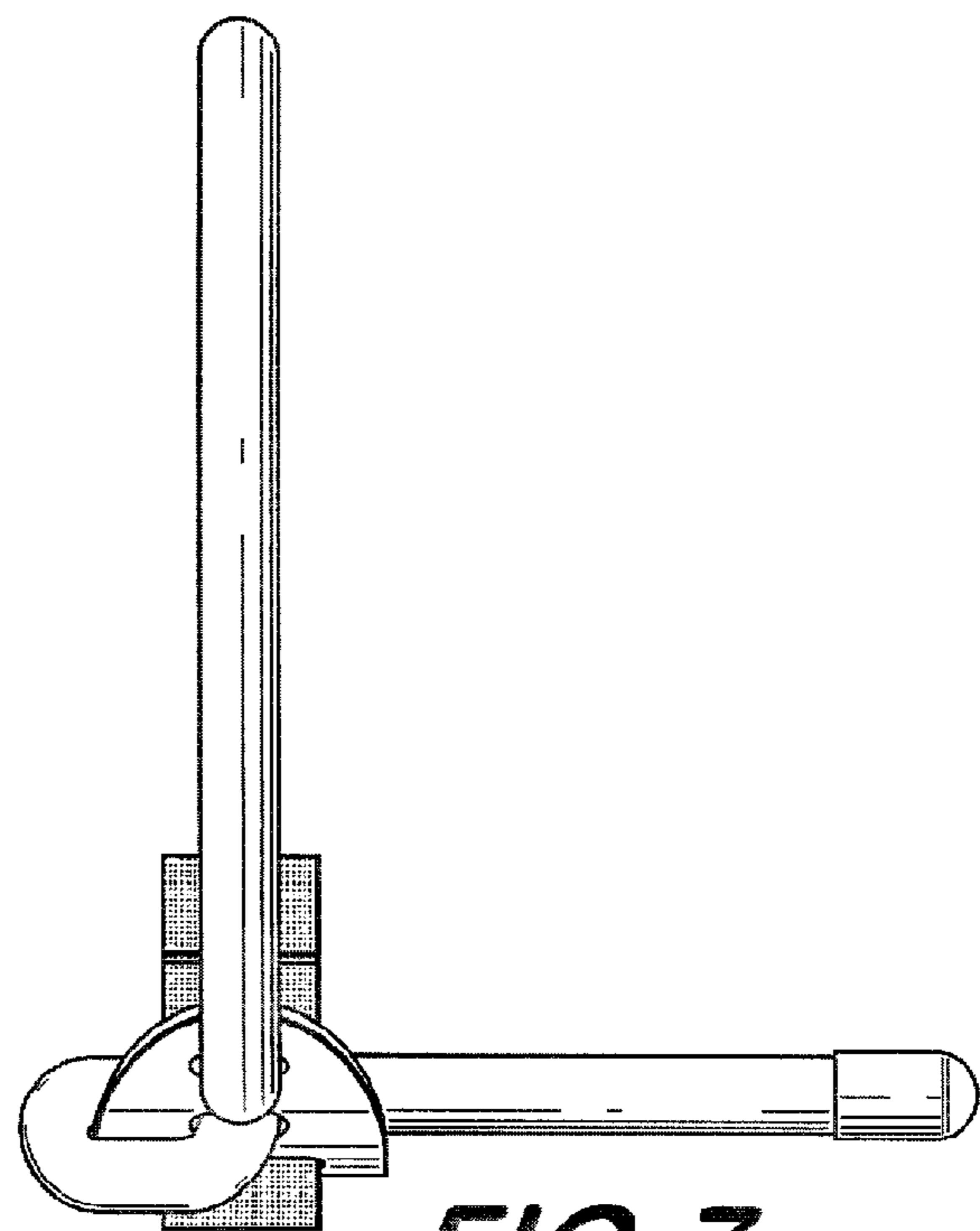
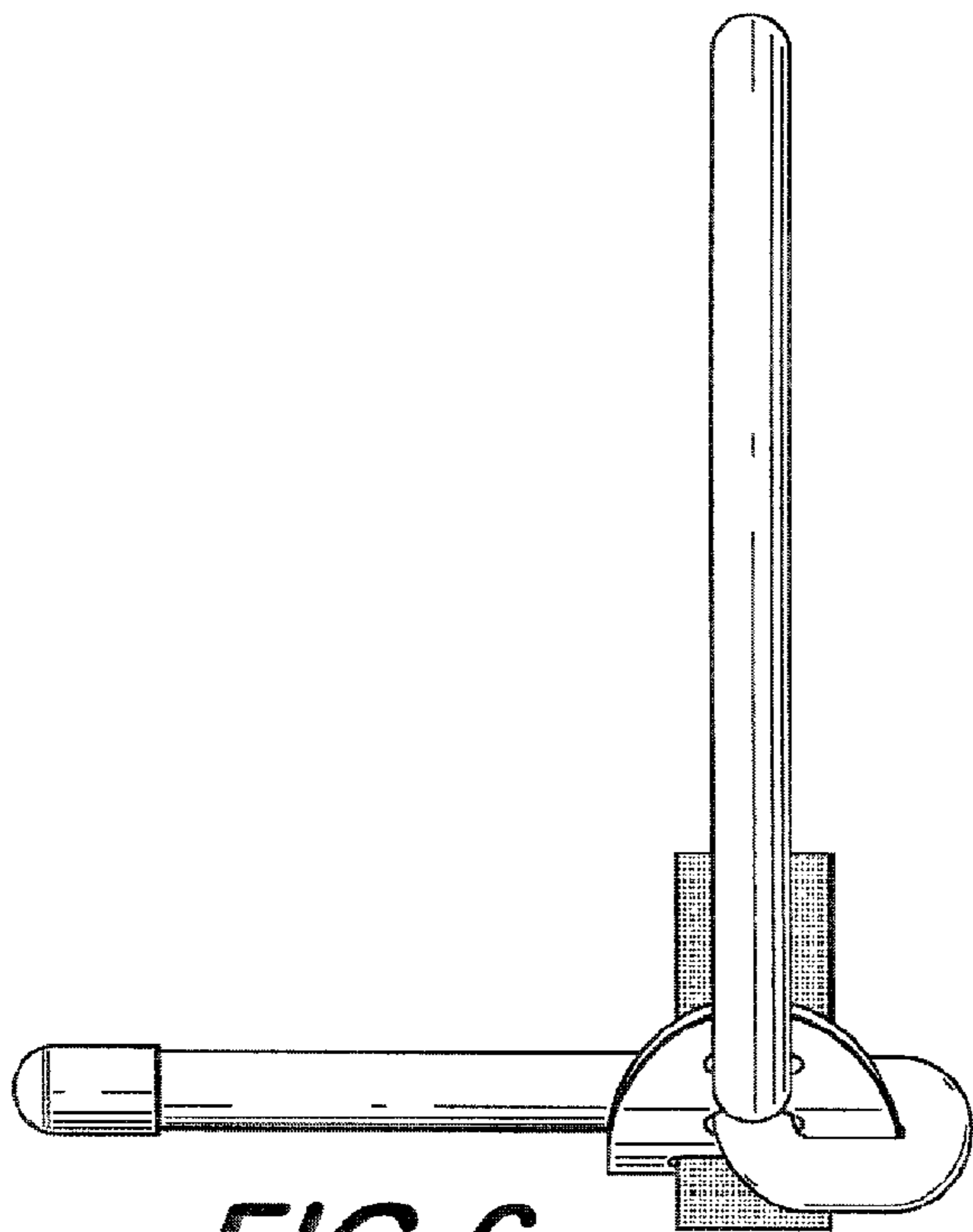
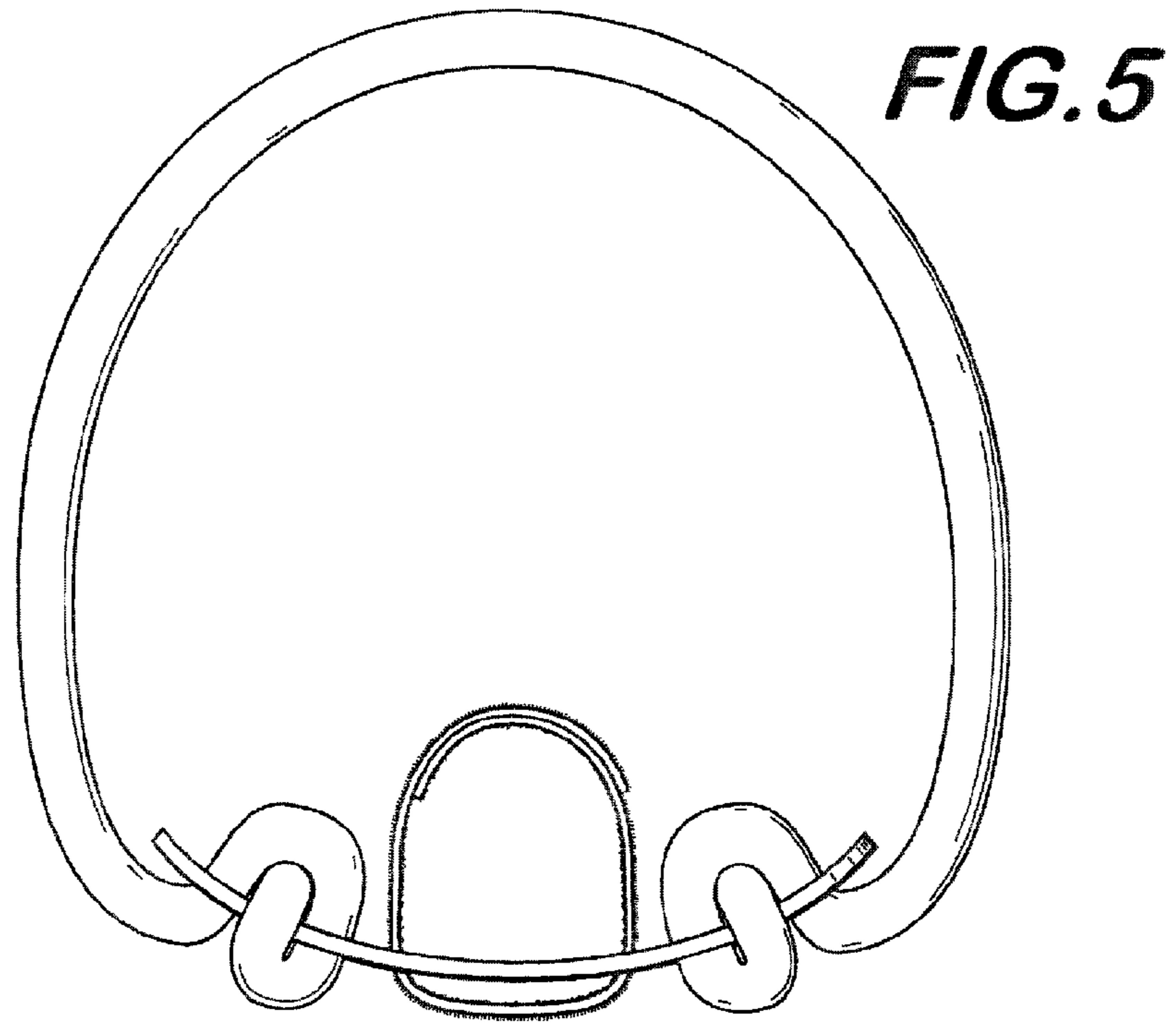


FIG. 8

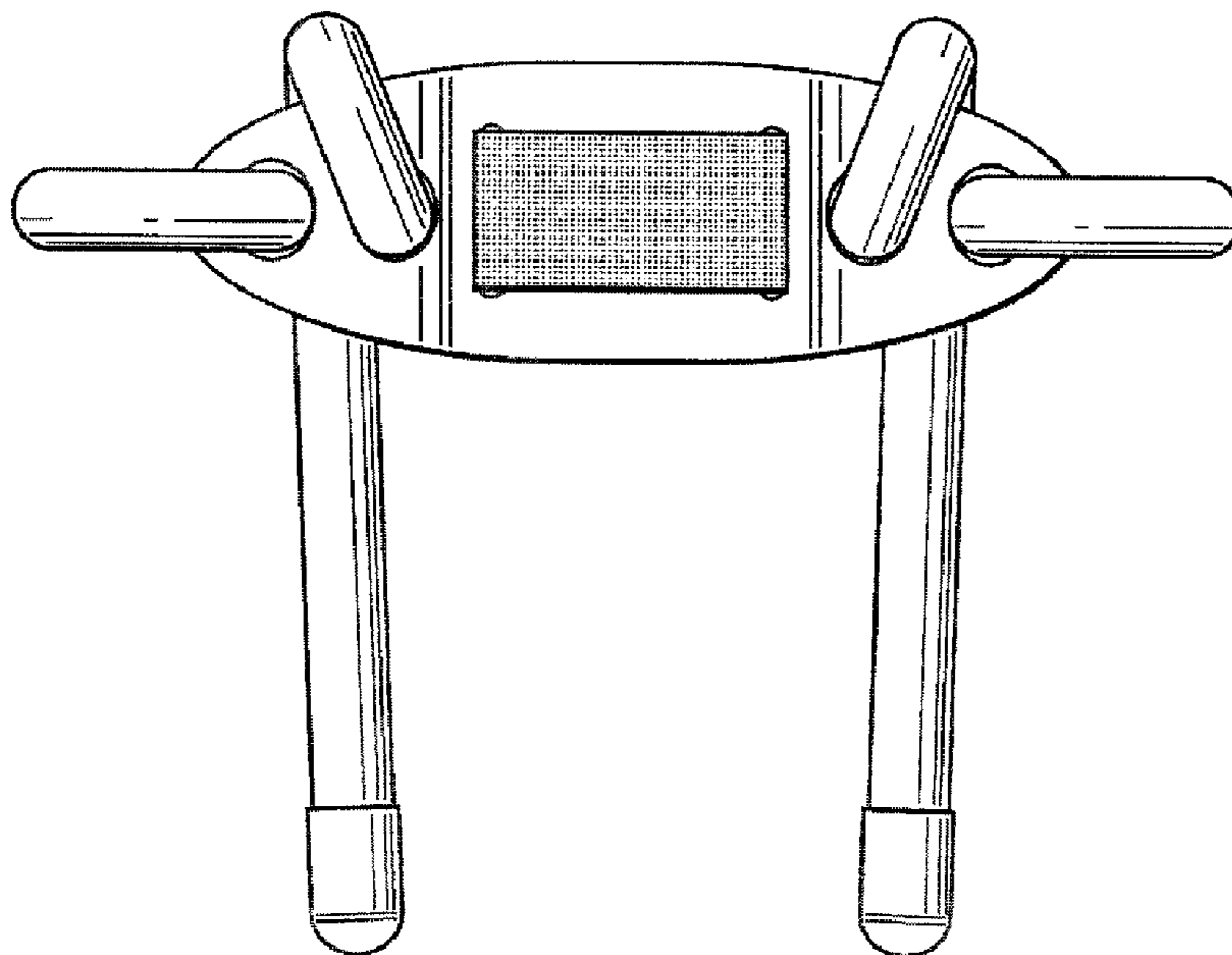
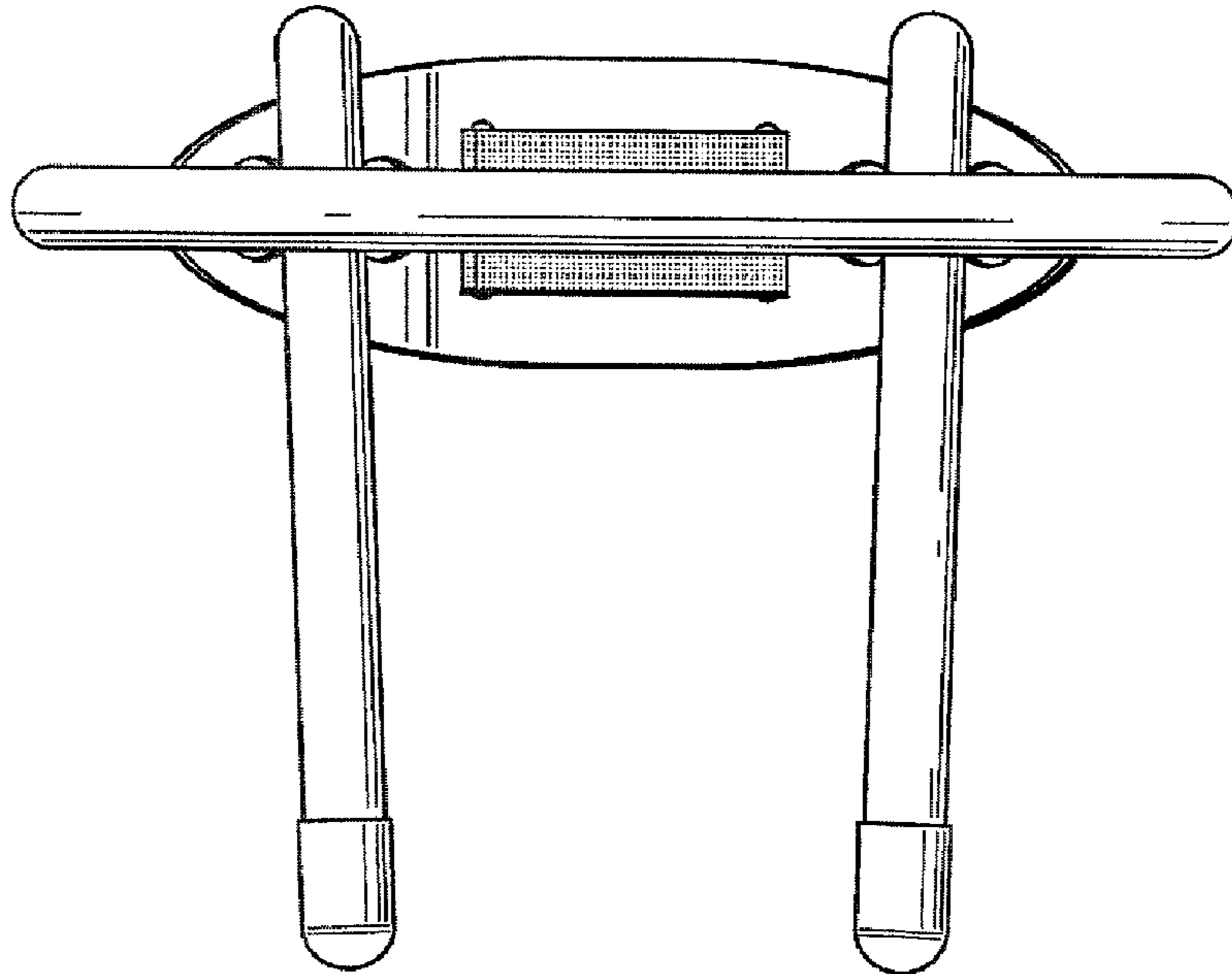


FIG. 9