



US00D628259S

(12) **United States Design Patent**
Carmel

(10) **Patent No.:** **US D628,259 S**

(45) **Date of Patent:** **** Nov. 30, 2010**

(54) **PALM PISTOL**

D400,633 S * 11/1998 Chapman D22/104
5,930,930 A 8/1999 Howell

(76) Inventor: **Matthew Morman Carmel**, 12 Hoffman
St., Maplewood, NJ (US) 07040

(Continued)

(**) Term: **14 Years**

Primary Examiner—T. Chase Nelson
Assistant Examiner—Michael A Pratt
(74) *Attorney, Agent, or Firm*—David O. Simmons

(21) Appl. No.: **29/348,623**

(22) Filed: **Jan. 22, 2010**

(57) **CLAIM**

Related U.S. Application Data

The ornamental design for palm pistol, substantially as shown
and described.

(63) Continuation-in-part of application No. 29/311,053,
filed on Dec. 17, 2008, now abandoned.

DESCRIPTION

(51) **LOC (9) Cl.** **22-01**

(52) **U.S. Cl.** **D22/104**

(58) **Field of Classification Search** D22/100,
D22/104, 199; D21/145, 146, 147, 567,
D21/572, 573–575; 42/40, 41, 42.01, 42.02,
42/42.03, 43, 44, 45, 57, 69.01, 71.02, 72,
42/100; 362/110, 113; 124/31, 37

See application file for complete search history.

FIG. 1 is a first perspective view of a palm pistol in accor-
dance with the present invention;

FIG. 2 is a second perspective view of the palm pistol shown
in FIG. 1;

FIG. 3 is a third perspective view of the palm pistol shown in
FIG. 1;

FIG. 4 is a fourth perspective view of the palm pistol shown in
FIG. 1;

FIG. 5 is a fifth perspective view of the palm pistol shown in
FIG. 1;

FIG. 6 is a sixth perspective view of the palm pistol shown in
FIG. 1;

FIG. 7 is a top view of the palm pistol shown in FIG. 1;

FIG. 8 is a bottom view of the palm pistol shown in FIG. 1,
which his substantially a mirror image of the top view of FIG.
7;

FIG. 9 is a front view of the palm pistol shown in FIG. 1;

FIG. 10 is a rear view of the palm pistol shown in FIG. 1;

FIG. 11 is a left side view of the palm pistol shown in FIG. 1;
and,

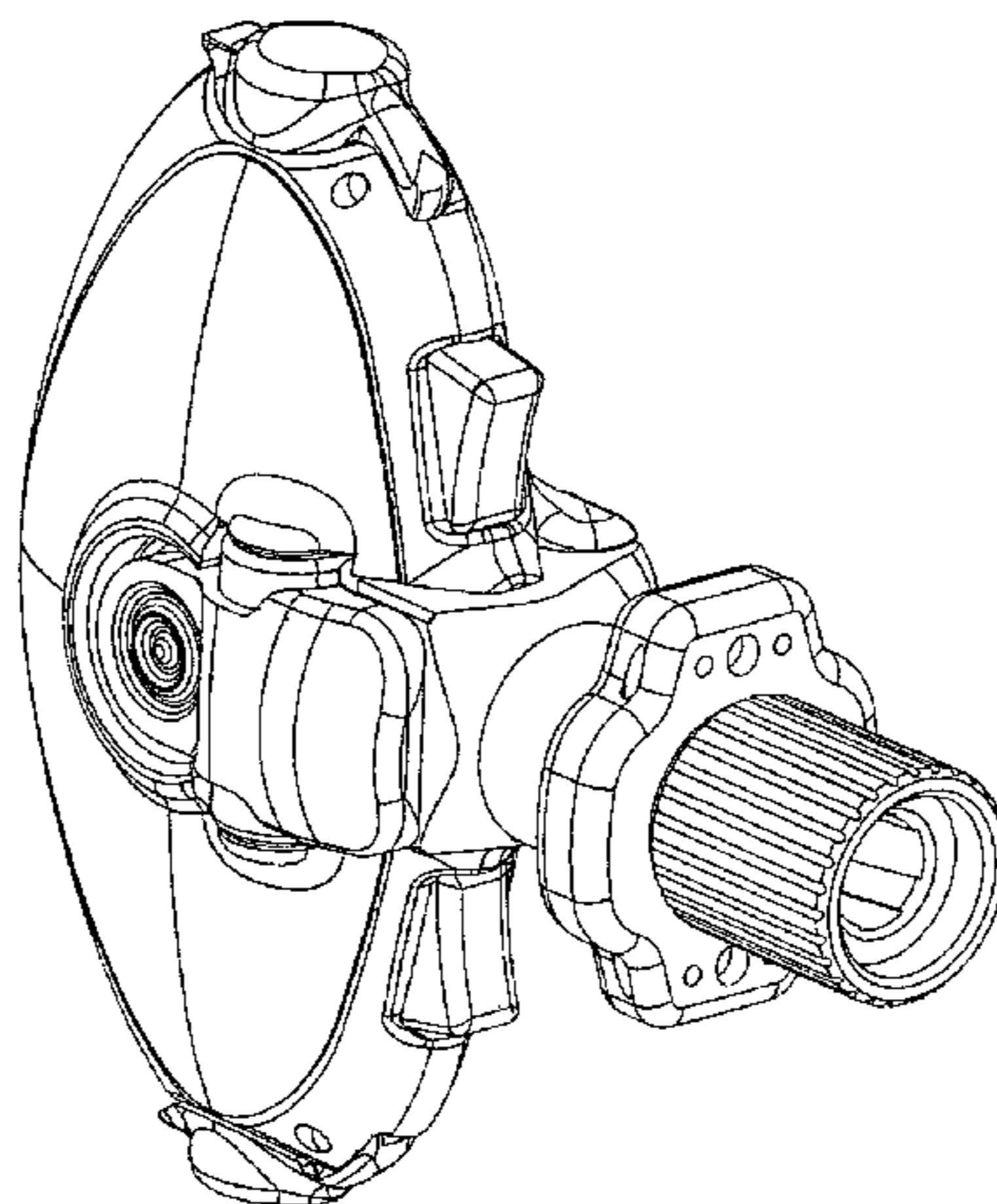
FIG. 12 is a right side view of the palm pistol shown in FIG.
1.

(56) **References Cited**

U.S. PATENT DOCUMENTS

756,182 A	3/1904	Novak	
975,720 A	11/1910	Risser	
1,073,312 A	9/1913	Woods	
1,436,534 A	11/1922	Russell	
1,476,125 A	12/1923	Wesson	
2,042,934 A	6/1936	Gill	
3,443,333 A	5/1969	Manatos	
3,707,794 A	1/1973	Rocha	
4,083,138 A	4/1978	Cash	
4,109,559 A	8/1978	Davis	
4,268,987 A	5/1981	Cash	
4,411,086 A	10/1983	Christopherson	
D275,696 S *	9/1984	Mader	D22/199
D277,126 S *	1/1985	Numbers	D22/104
5,743,039 A	4/1998	Garrett	

1 Claim, 4 Drawing Sheets



US D628,259 S

Page 2

U.S. PATENT DOCUMENTS

5,937,558 A 8/1999 Gerard
6,125,568 A 10/2000 Granaroli
6,481,145 B2 11/2002 Weichert

6,519,888 B1 2/2003 Oberst
7,360,478 B2 4/2008 Compton

* cited by examiner

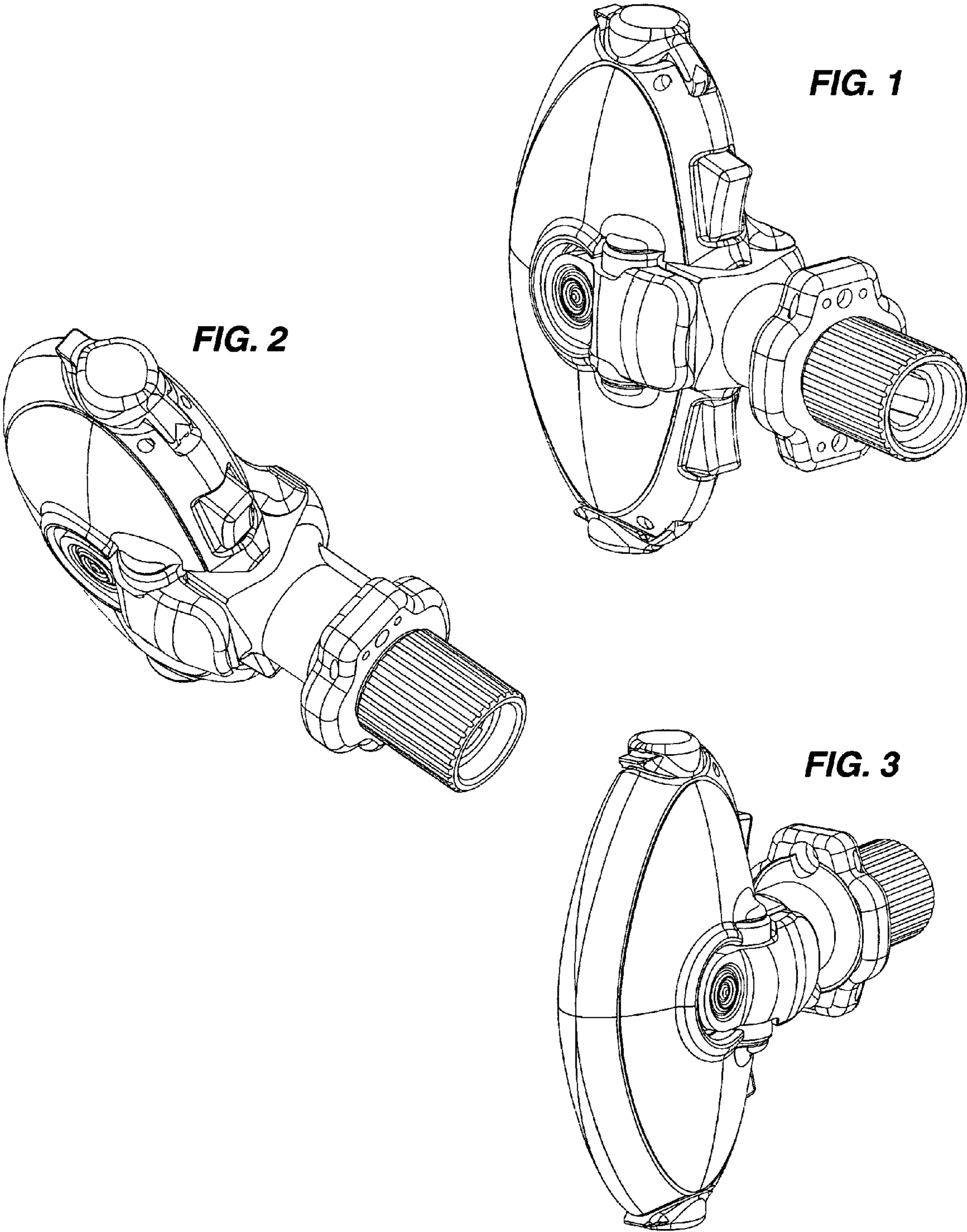


FIG. 4

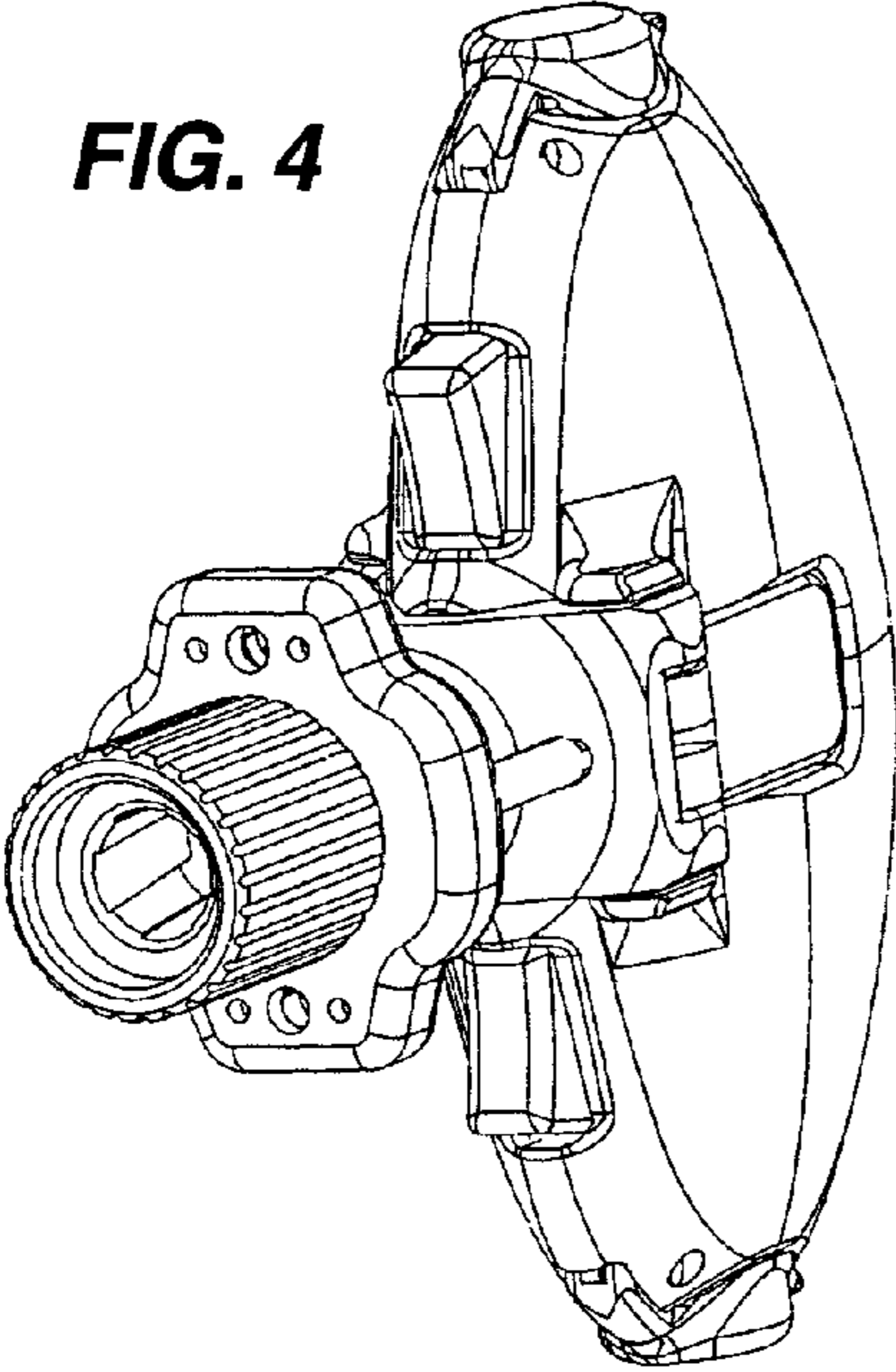


FIG. 5

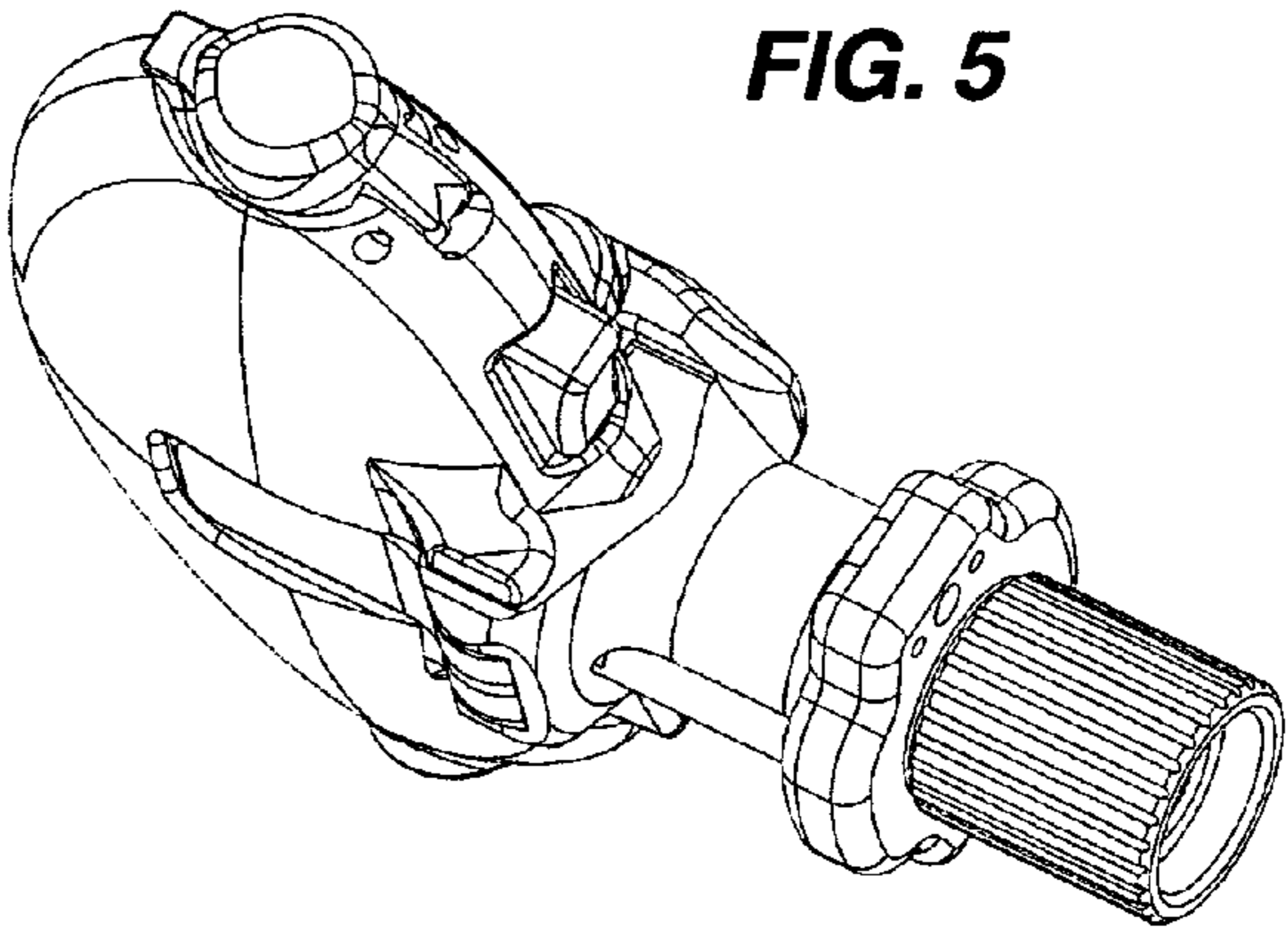


FIG. 6

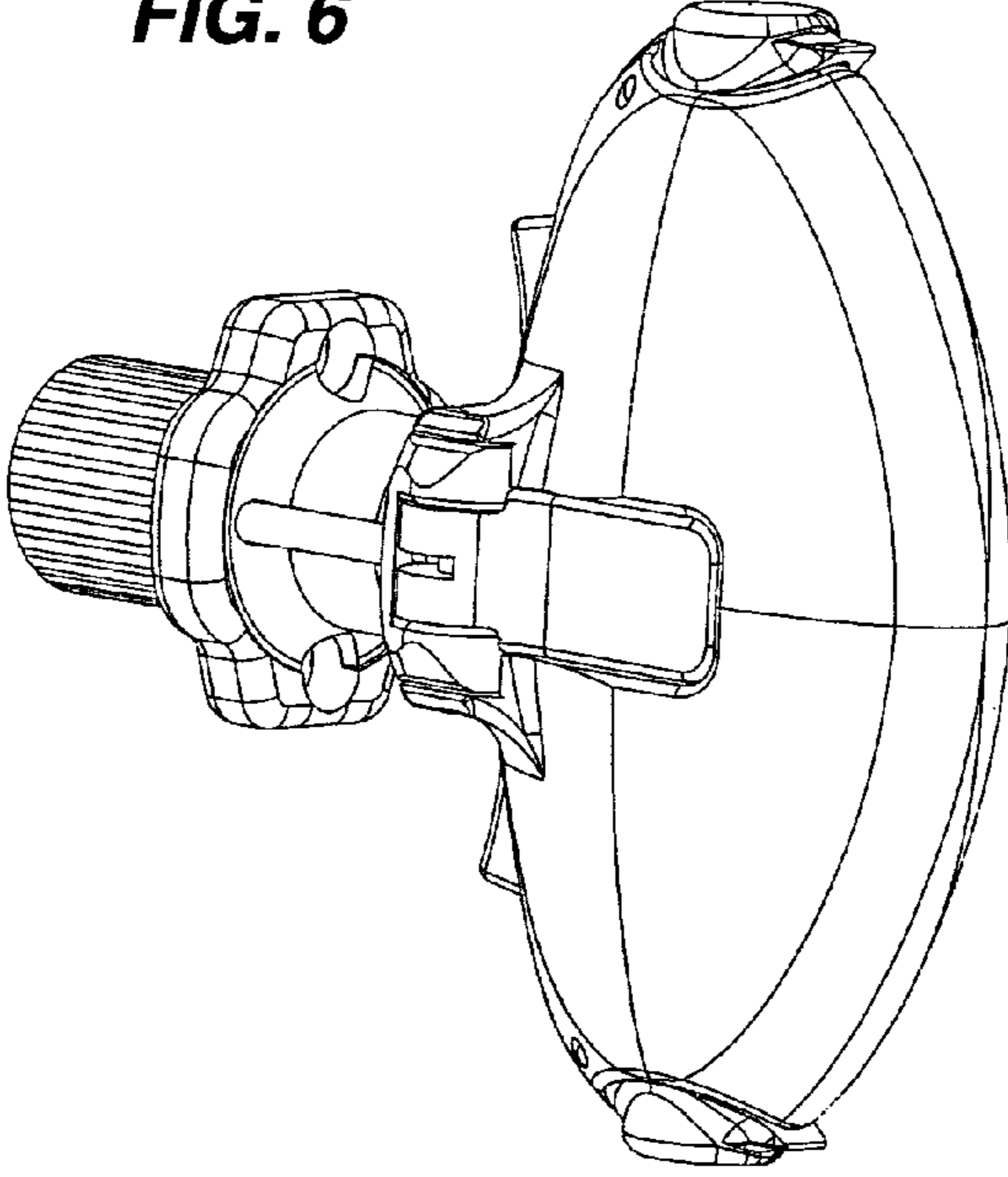


FIG. 7

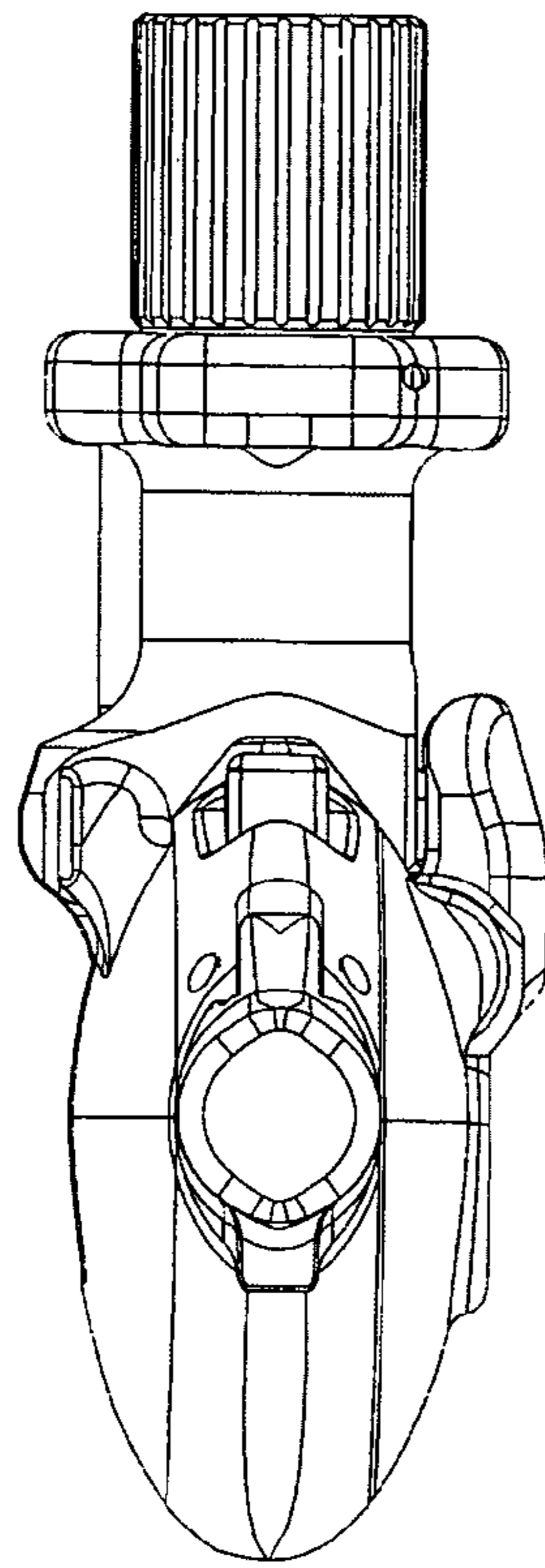


FIG. 8

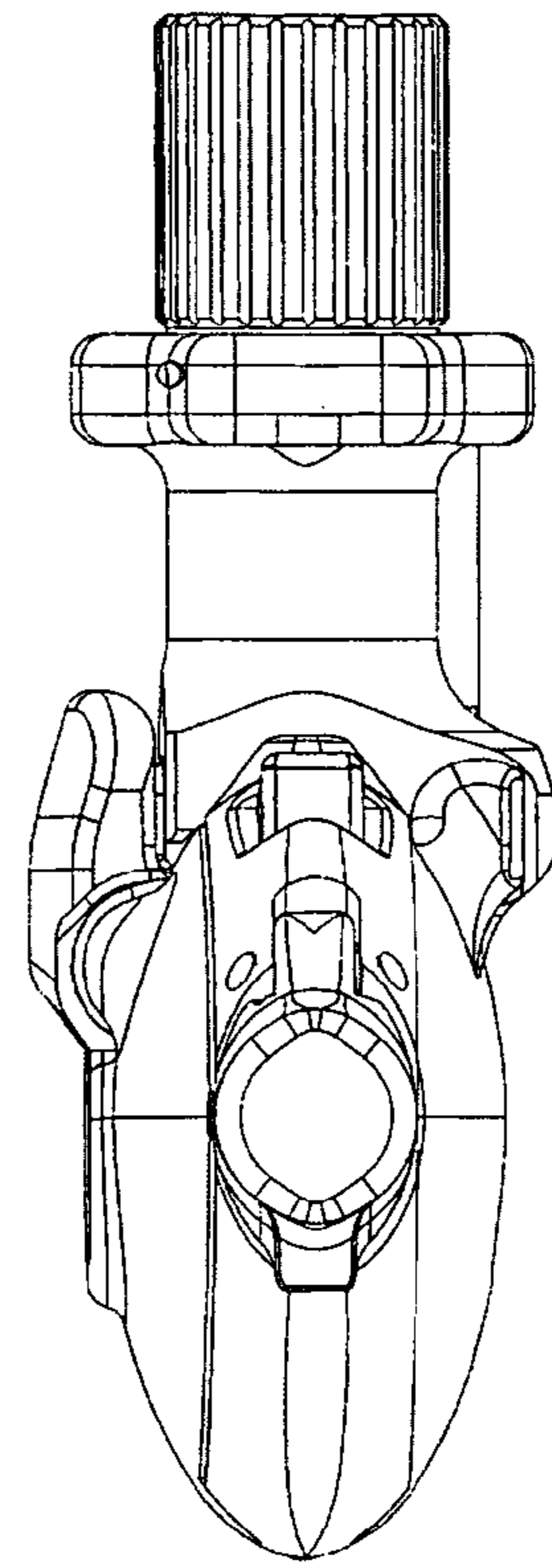


FIG. 9

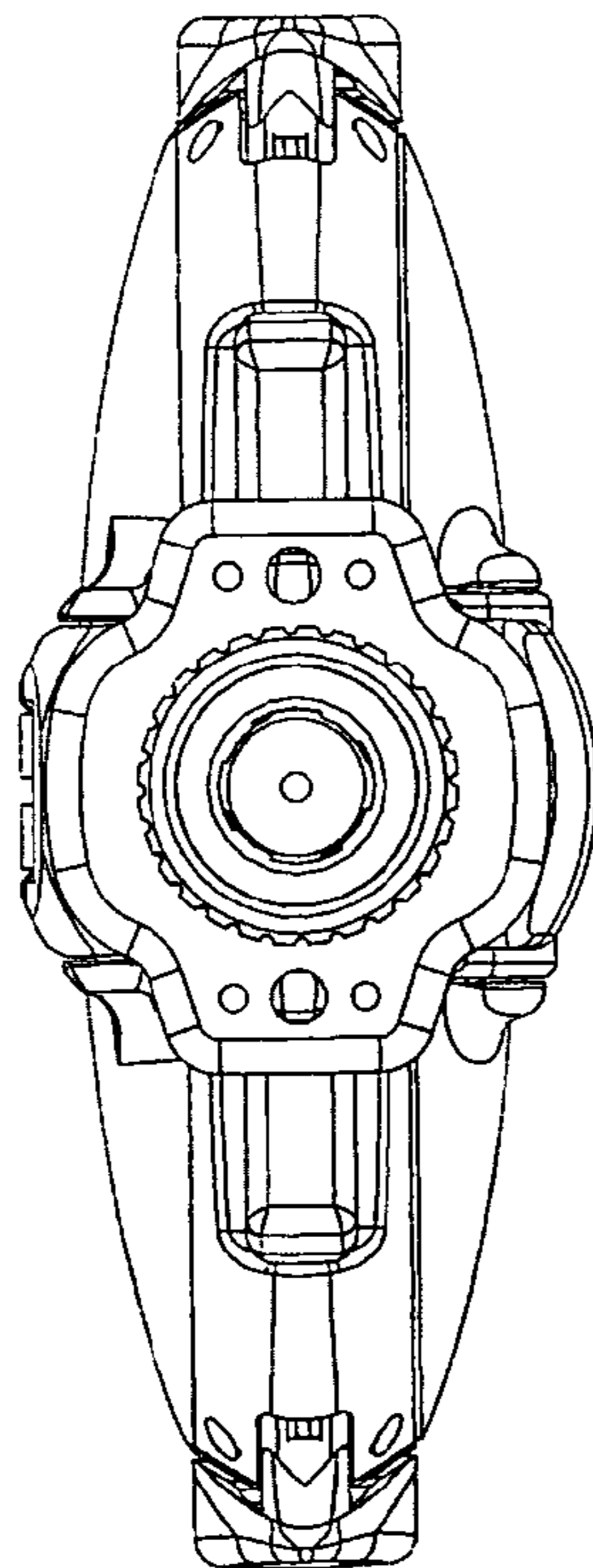


FIG. 10

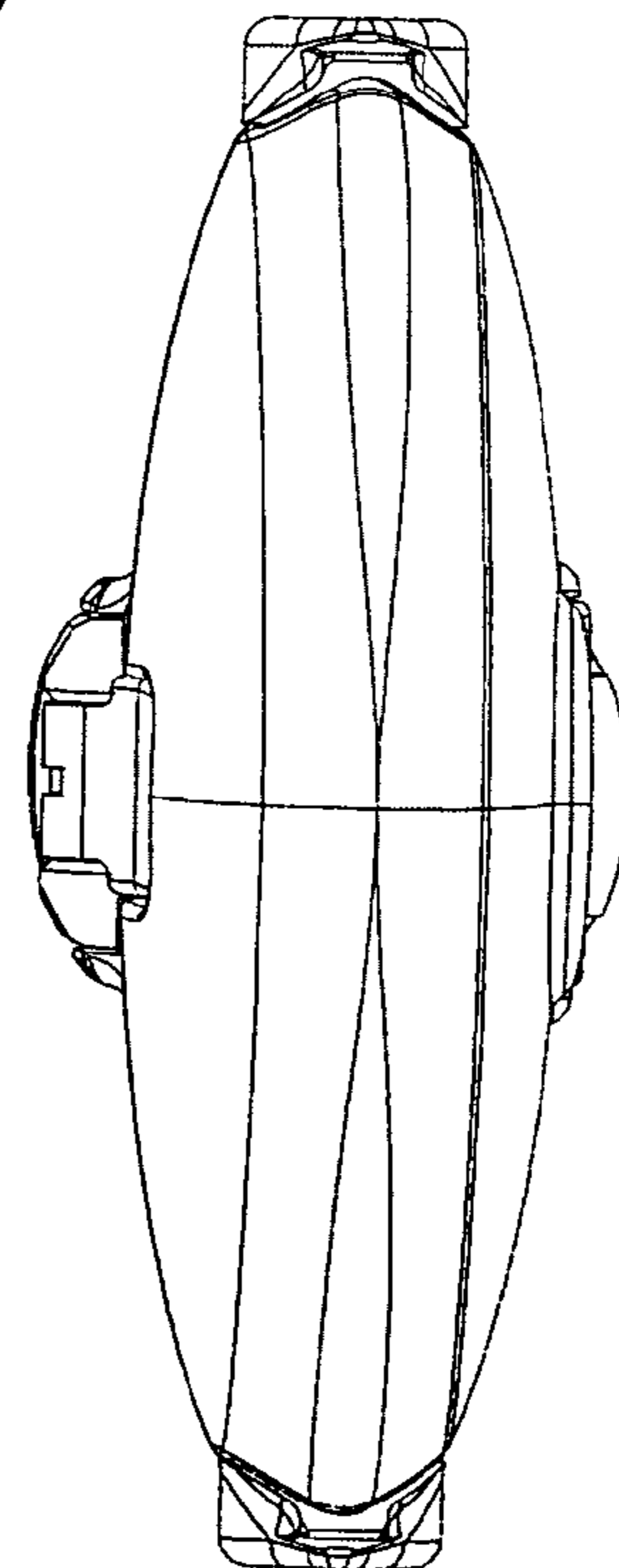


FIG. 11

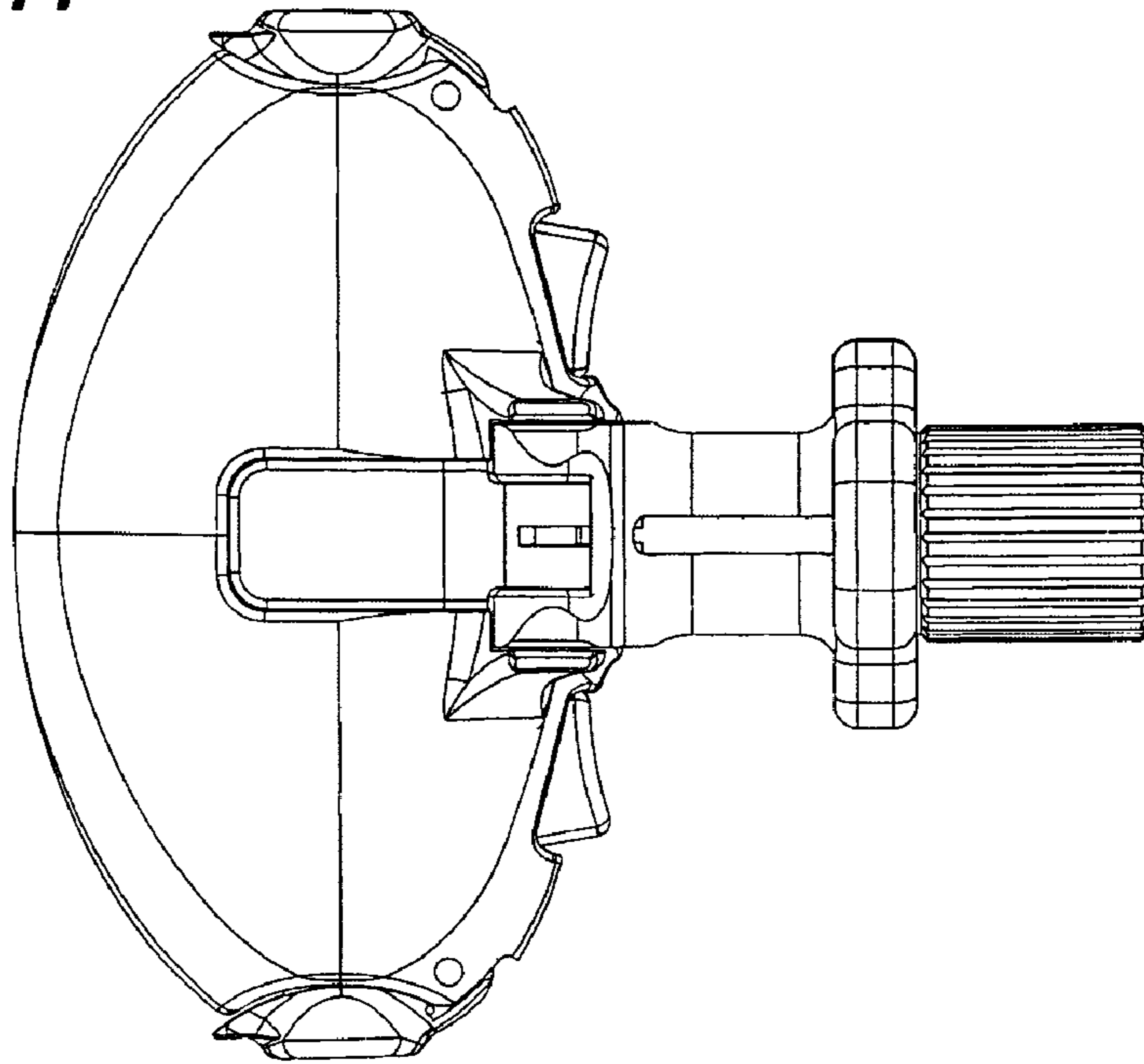


FIG. 12

