



US00D628256S

(12) **United States Design Patent**  
**Smith**

(10) **Patent No.:** **US D628,256 S**

(45) **Date of Patent:** **\*\* Nov. 30, 2010**

(54) **BAT COVER**

(76) **Inventor:** **Joseph Stork Smith**, 201 W. Greyhound  
Pass, Carmel, IN (US) 46032-7006

(\*\*) **Term:** **14 Years**

(21) **Appl. No.:** **29/351,498**

(22) **Filed:** **Dec. 7, 2009**

(51) **LOC (9) Cl.** ..... **21-02**

(52) **U.S. Cl.** ..... **D21/754**

(58) **Field of Classification Search** ..... D21/754,  
D21/725; 150/154, 160; 206/315.1; 473/564-568;  
D3/564

See application file for complete search history.

(56) **References Cited**

**U.S. PATENT DOCUMENTS**

D319,677	S *	9/1991	Rendall, Jr.	.....	D21/754
5,133,395	A *	7/1992	Moore	.....	150/160
D329,483	S *	9/1992	Herold	.....	D21/754
5,522,592	A *	6/1996	Evelsizer, Jr.	.....	150/160
D383,182	S *	9/1997	Estell	.....	D21/754
5,701,998	A *	12/1997	Perry et al.	.....	206/315.1
5,786,574	A *	7/1998	Garnett	.....	219/529
6,681,821	B1 *	1/2004	Cirone	.....	150/154

7,171,999 B2 \* 2/2007 Cirone ..... 150/154  
2006/0266453 A1 \* 11/2006 Cirone ..... 150/154

\* cited by examiner

*Primary Examiner*—Mitchell I Siegel

(74) *Attorney, Agent, or Firm*—Woodard, Emhardt, Moriarty  
McNett & Henry, LLP

(57) **CLAIM**

The ornamental design for a bat cover, as shown and  
described.

**DESCRIPTION**

FIG. 1 is a left side elevational view of the bat cover showing  
my new design, the undisclosed right side being identical;

FIG. 2 is an enlarged rear view of the bat cover;

FIG. 3 is a bottom view of the bat cover;

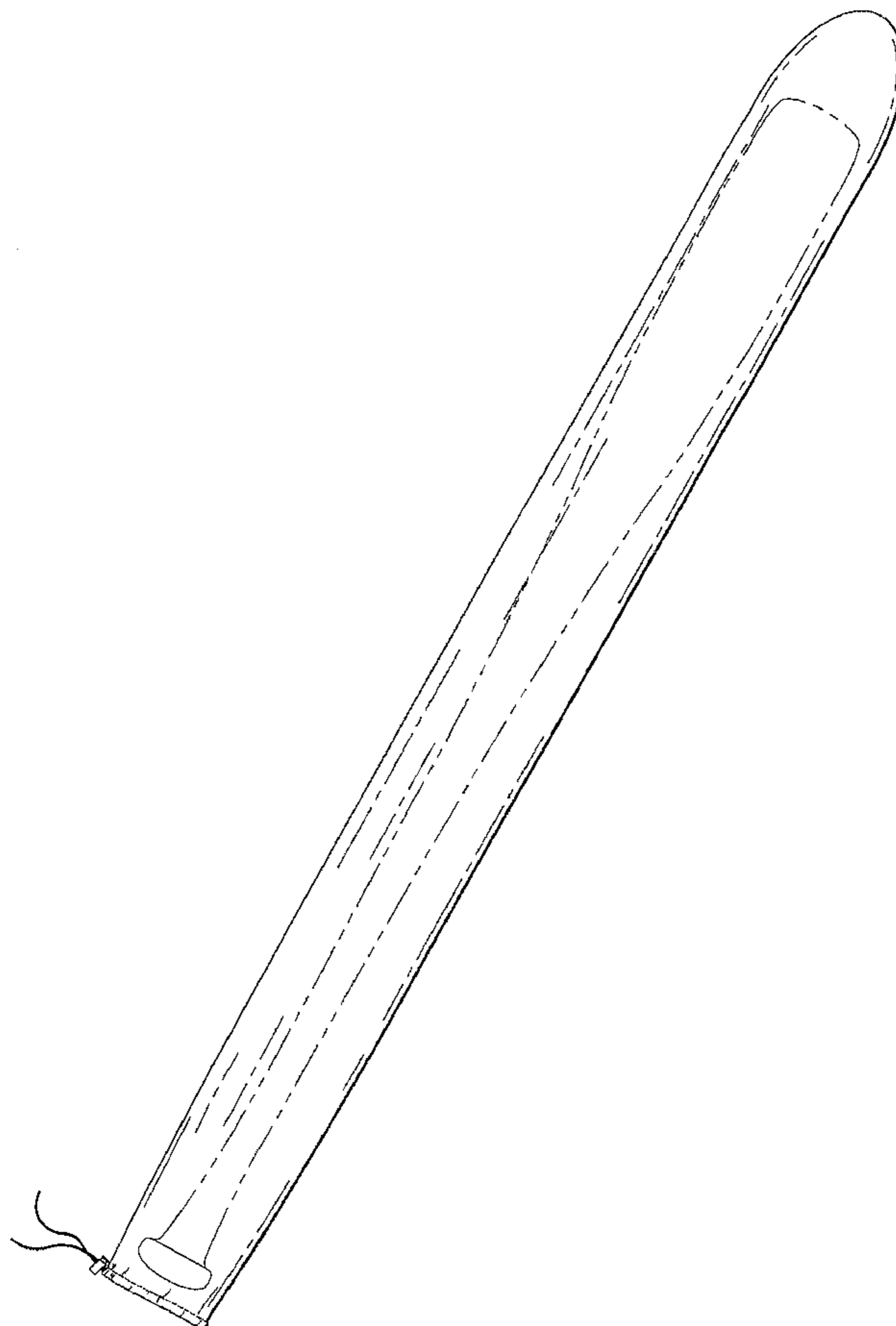
FIG. 4 is an enlarged front view of the bat cover;

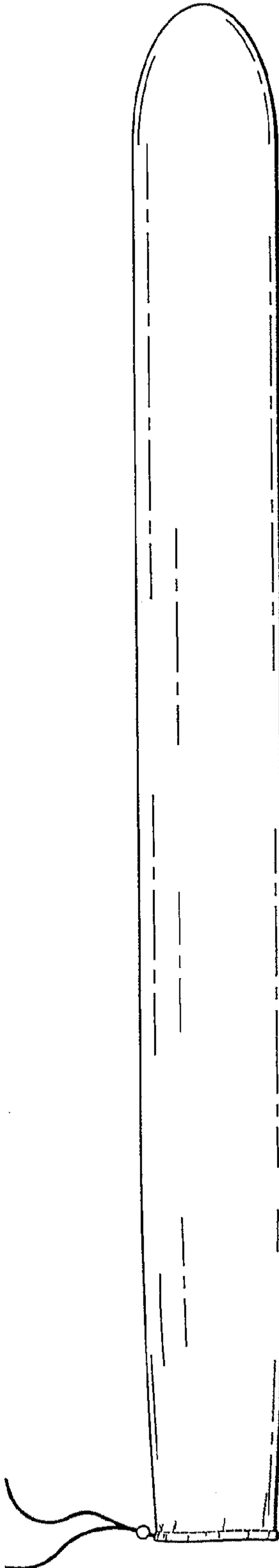
FIG. 5 is a top view of the bat cover; and,

FIG. 6 is a perspective view of the bat cover.

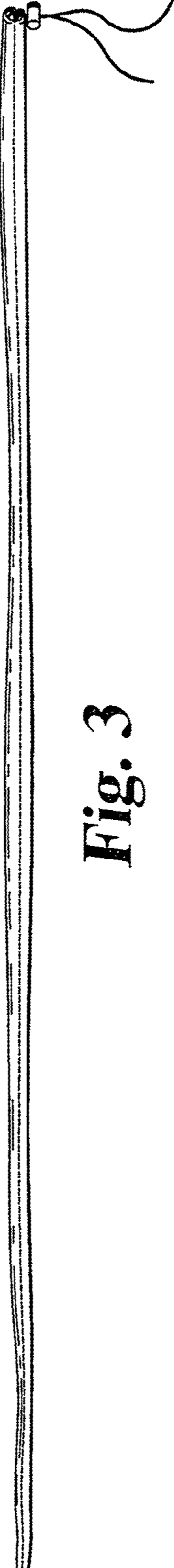
The broken line showing of the bat in FIG. 6 is included for  
the purpose of illustrating environmental structure and forms  
no part of the claimed design.

**1 Claim, 3 Drawing Sheets**





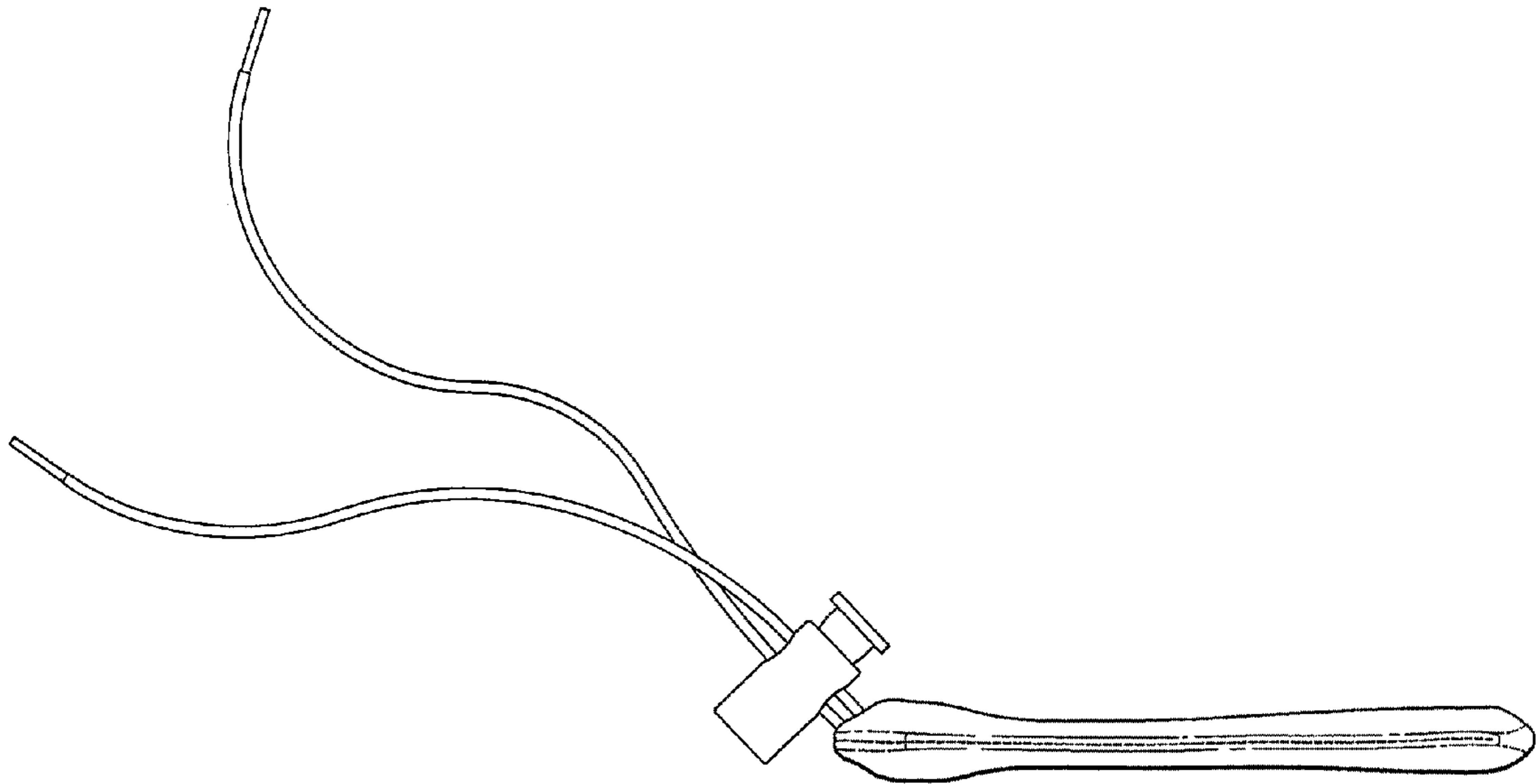
**Fig. 1**



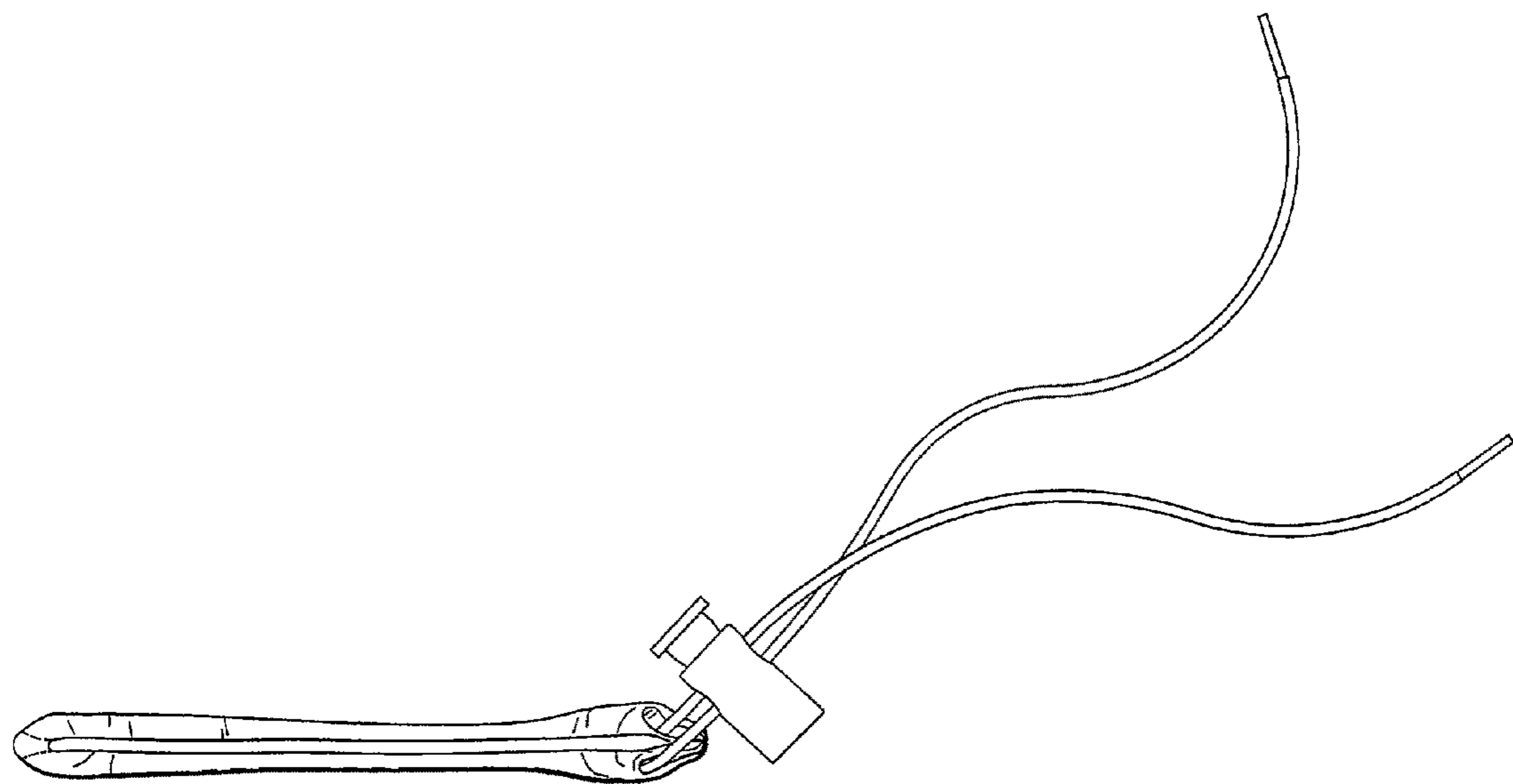
**Fig. 3**



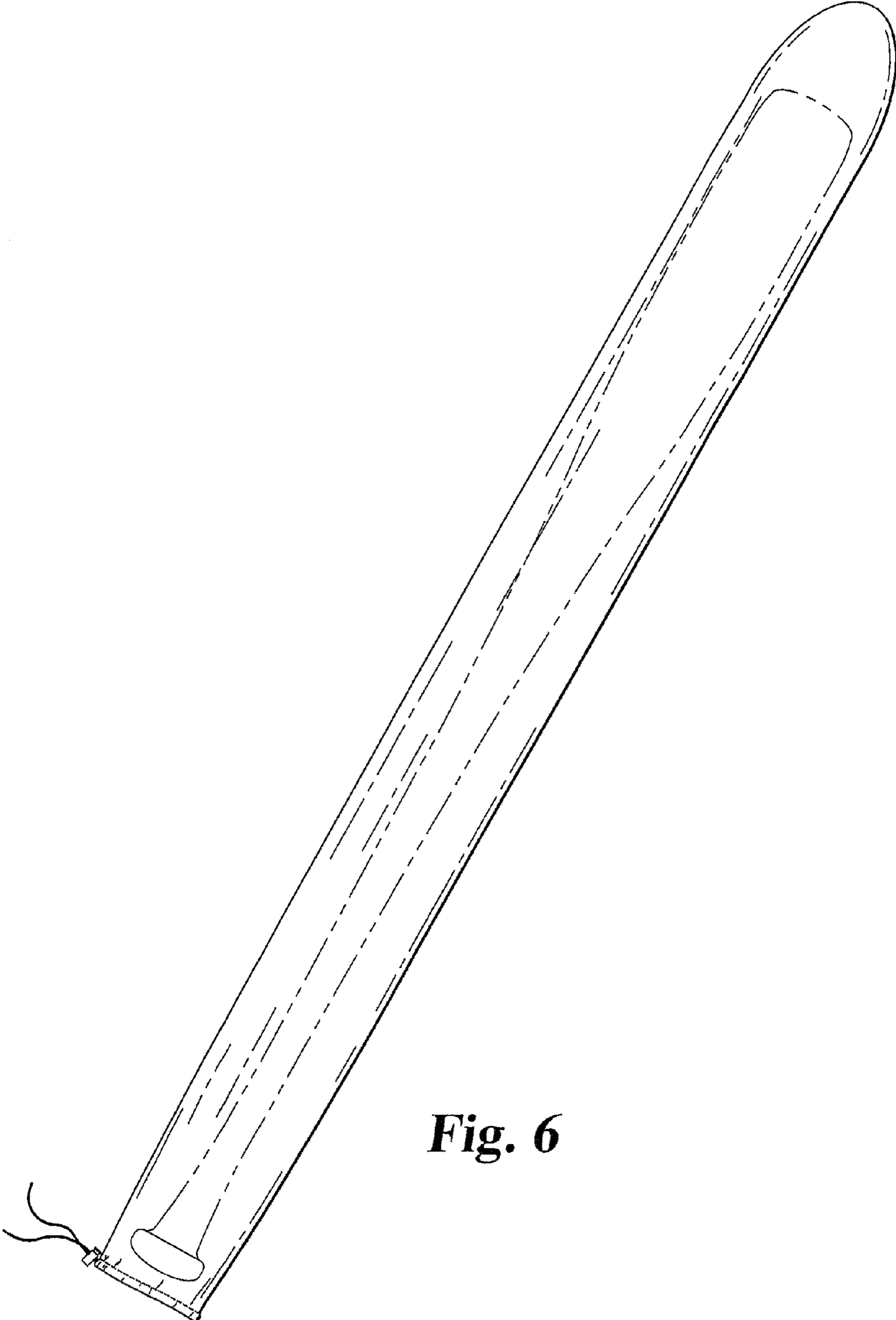
**Fig. 5**



**Fig. 2**



**Fig. 4**



**Fig. 6**