



US00D628255S

(12) **United States Design Patent**
Rollinson

(10) **Patent No.:** **US D628,255 S**

(45) **Date of Patent:** **** Nov. 30, 2010**

(54) **PUTTER HEAD**

(75) **Inventor:** **Augustin W. Rollinson**, Carlsbad, CA (US)

(73) **Assignee:** **Callaway Golf Company**, Carlsbad, CA (US)

(**) **Term:** **14 Years**

(21) **Appl. No.:** **29/354,269**

(22) **Filed:** **Jan. 21, 2010**

(51) **LOC (9) Cl.** **21-02**

(52) **U.S. Cl.** **D21/744**

(58) **Field of Classification Search** D21/736-746, D21/759; 473/324-331, 251-256, 340-341
See application file for complete search history.

(56) **References Cited**

U.S. PATENT DOCUMENTS

D508,273 S * 8/2005 Garner et al. D21/743

D571,880 S * 6/2008 Ban et al. D21/744
D575,366 S * 8/2008 Rollinson D21/744

* cited by examiner

Primary Examiner—Mitchell I Siegel

(74) *Attorney, Agent, or Firm*—Michael A. Catania

(57) **CLAIM**

The ornamental design for a putter head, as shown and described.

DESCRIPTION

FIG. 1 is a bottom plan view of a putter head;

FIG. 2 is a front view thereof;

FIG. 3 is a top view thereof;

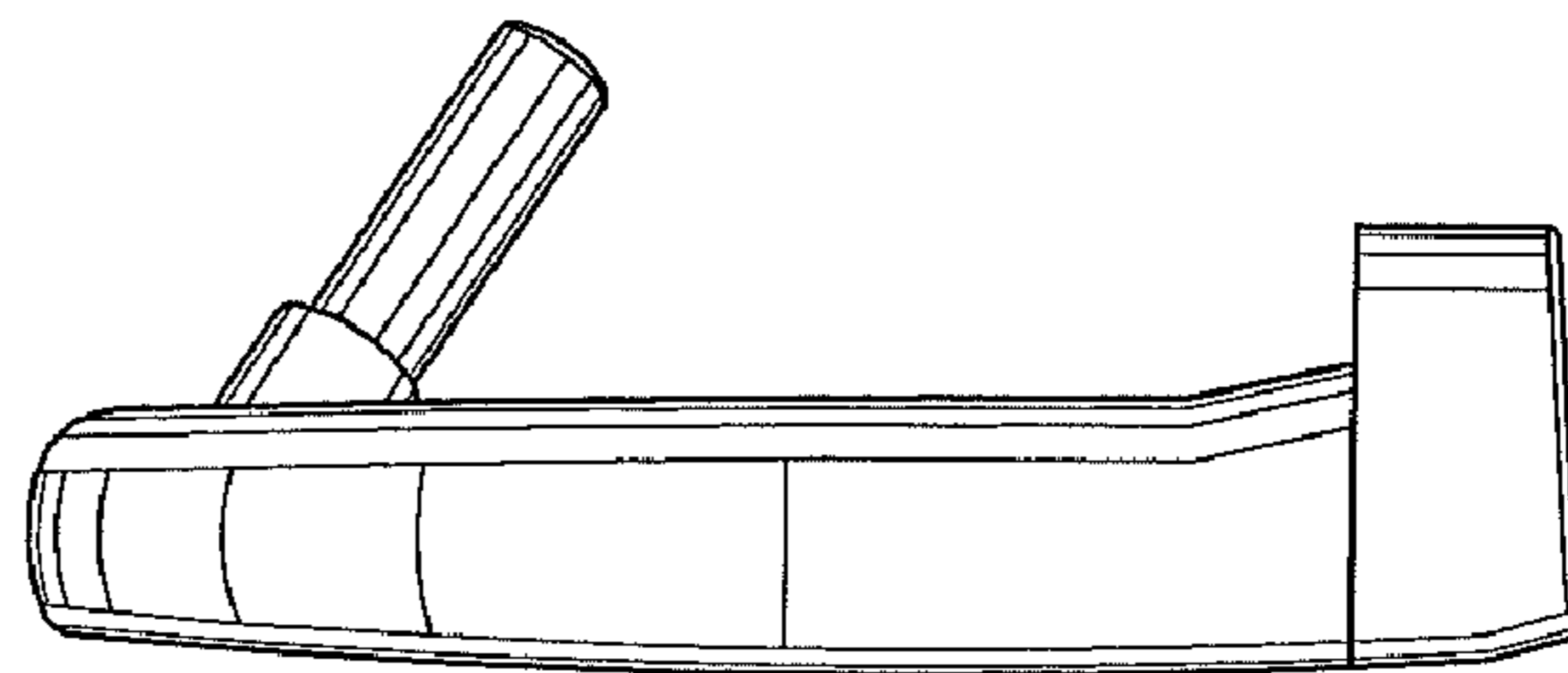
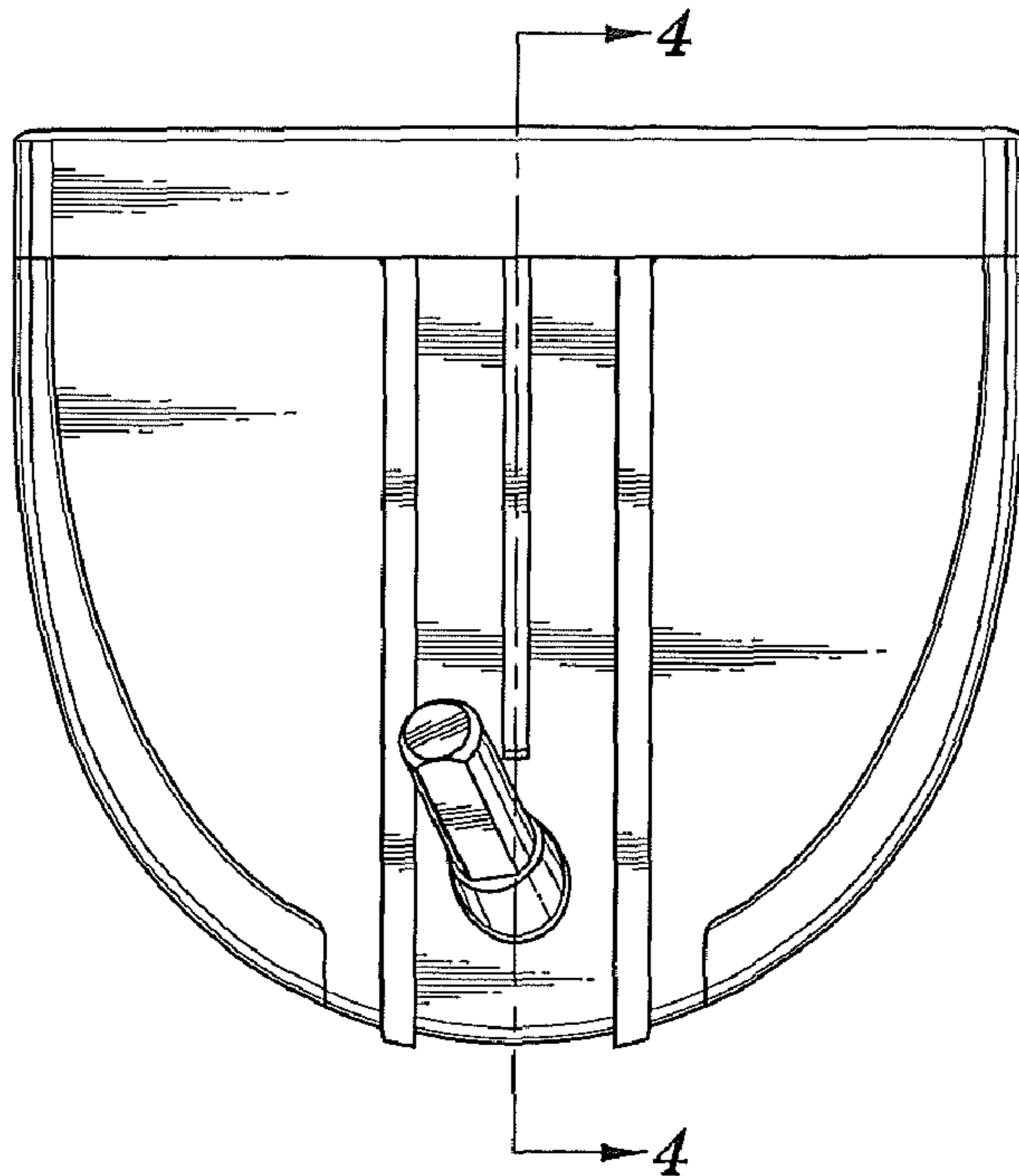
FIG. 4 is a cross sectional view taken on line 4—4 of FIG. 3;

FIG. 5 is a rear elevational view thereof;

FIG. 6 is a left side elevational view thereof; and,

FIG. 7 is a right side elevational view thereof.

1 Claim, 3 Drawing Sheets



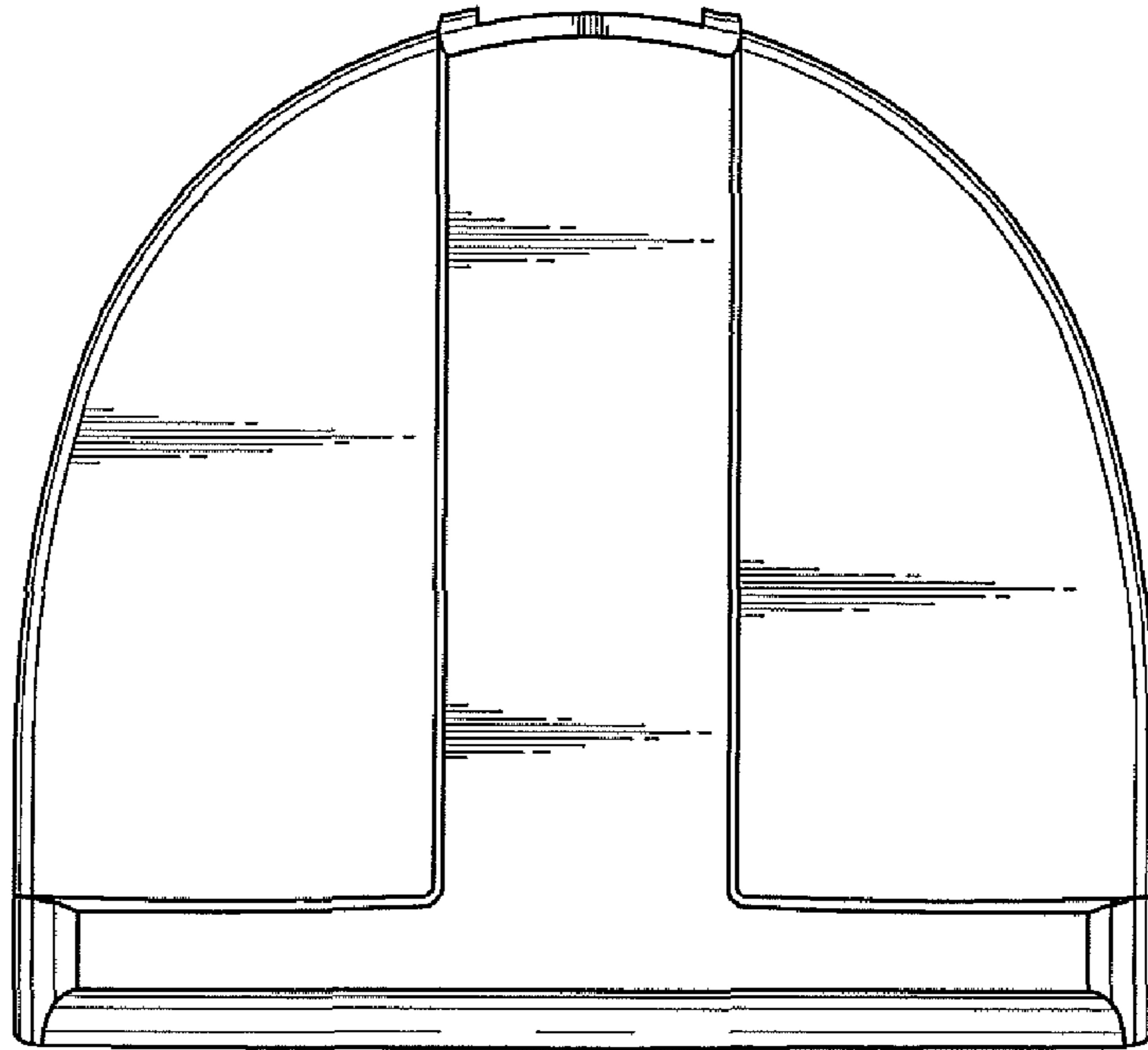


FIG. 1

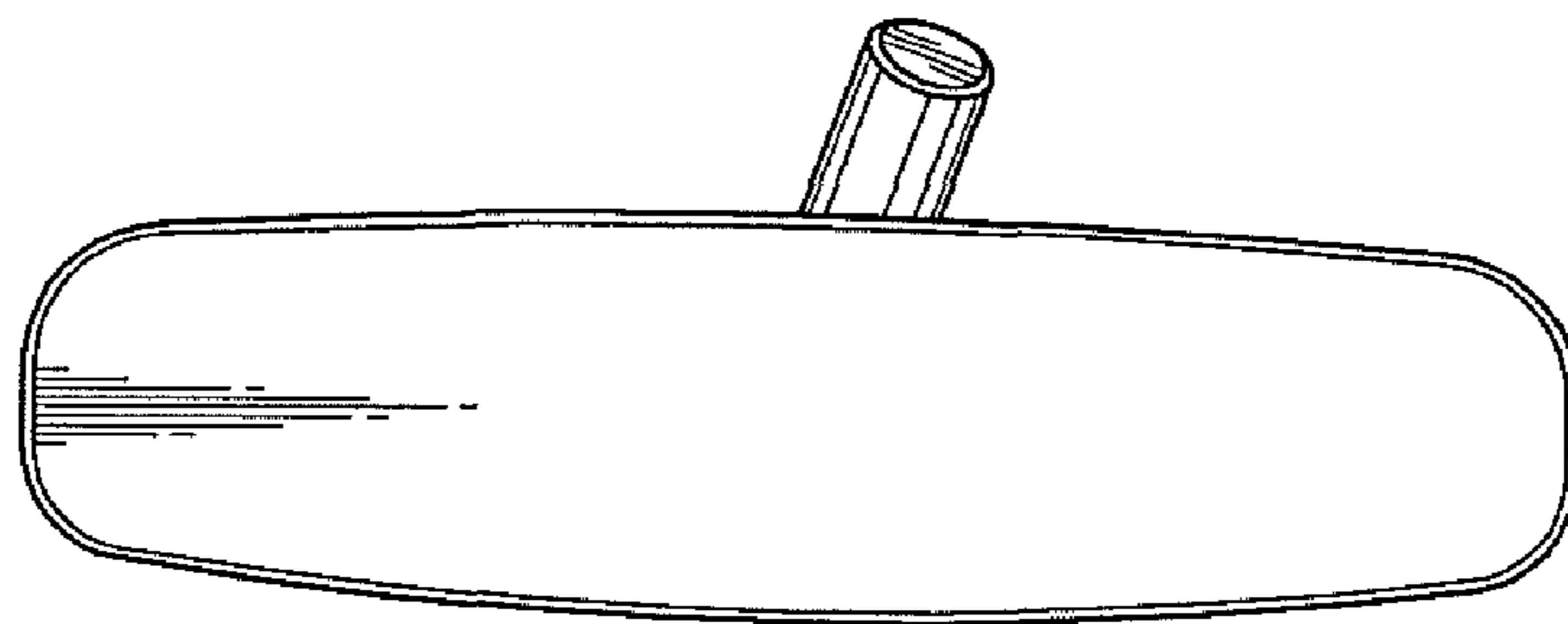


FIG. 2

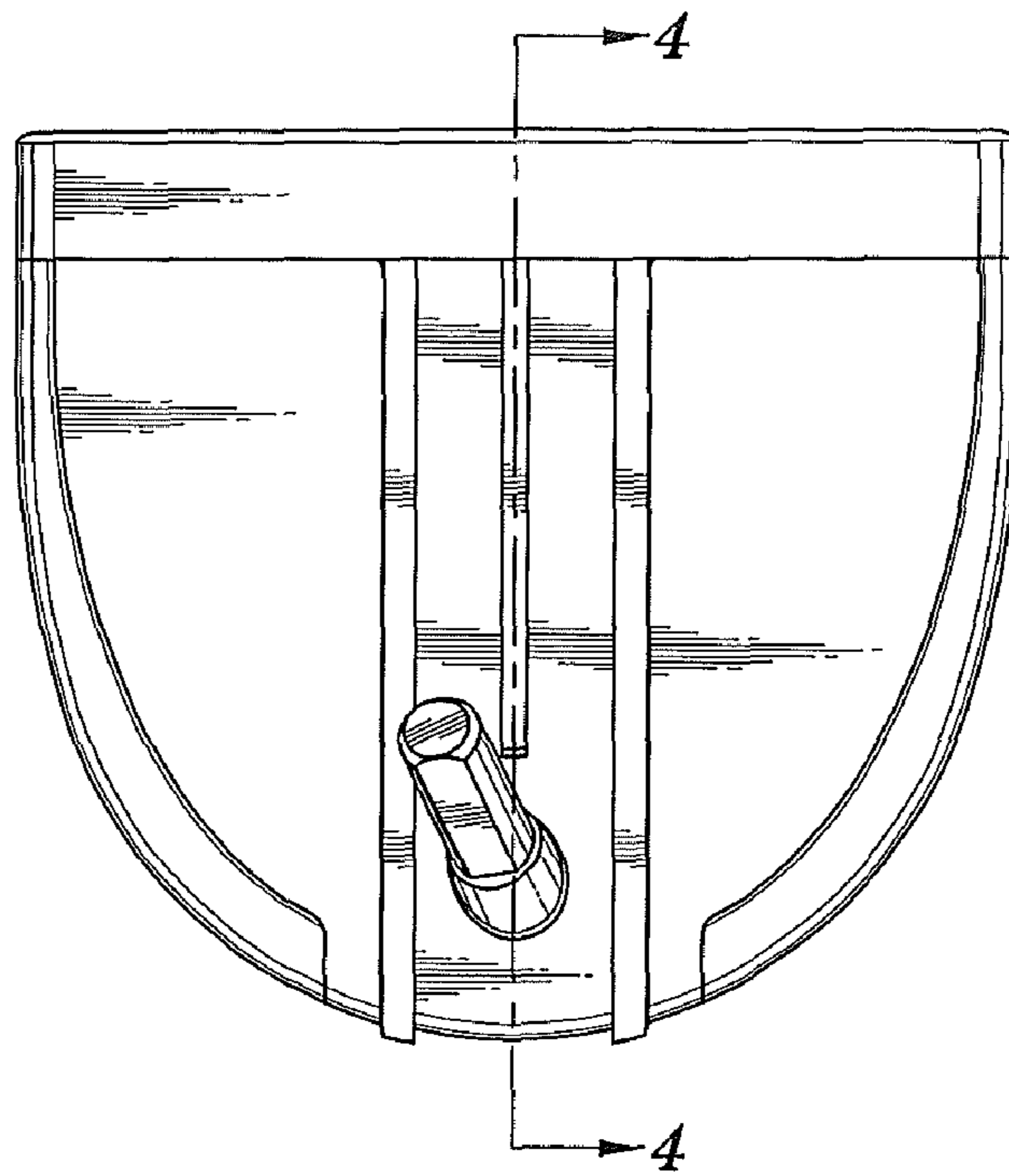


FIG. 3

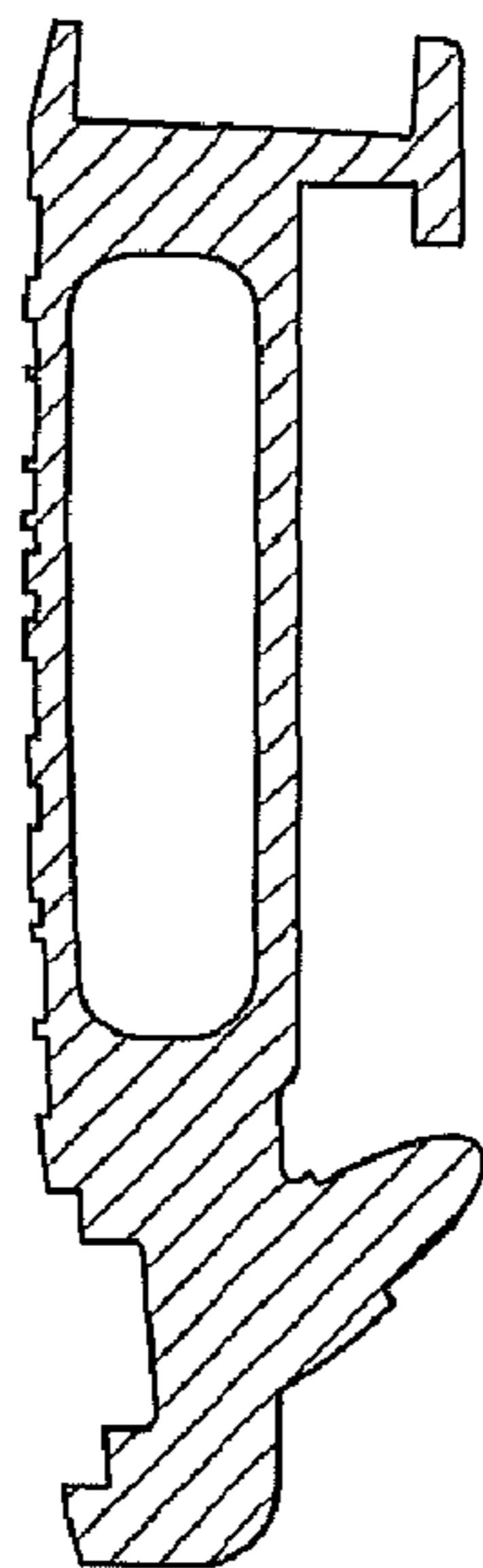


FIG. 4

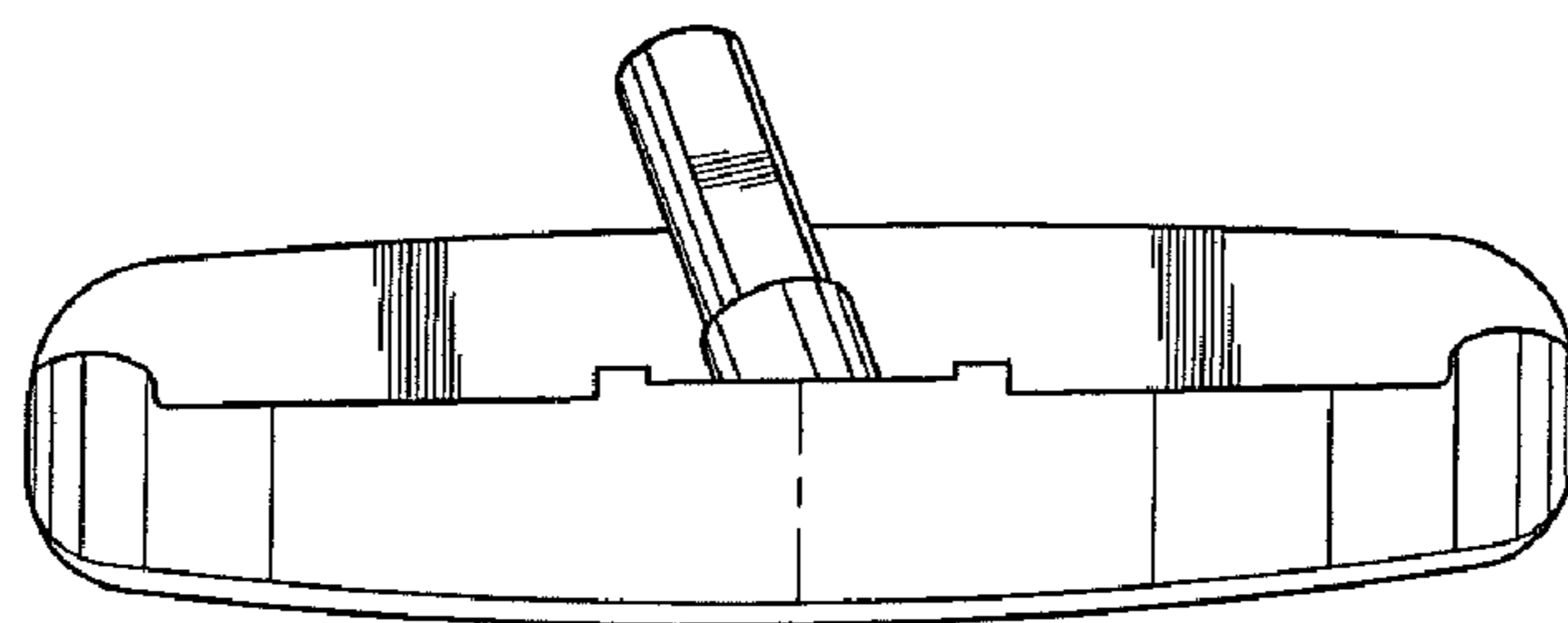


FIG. 5

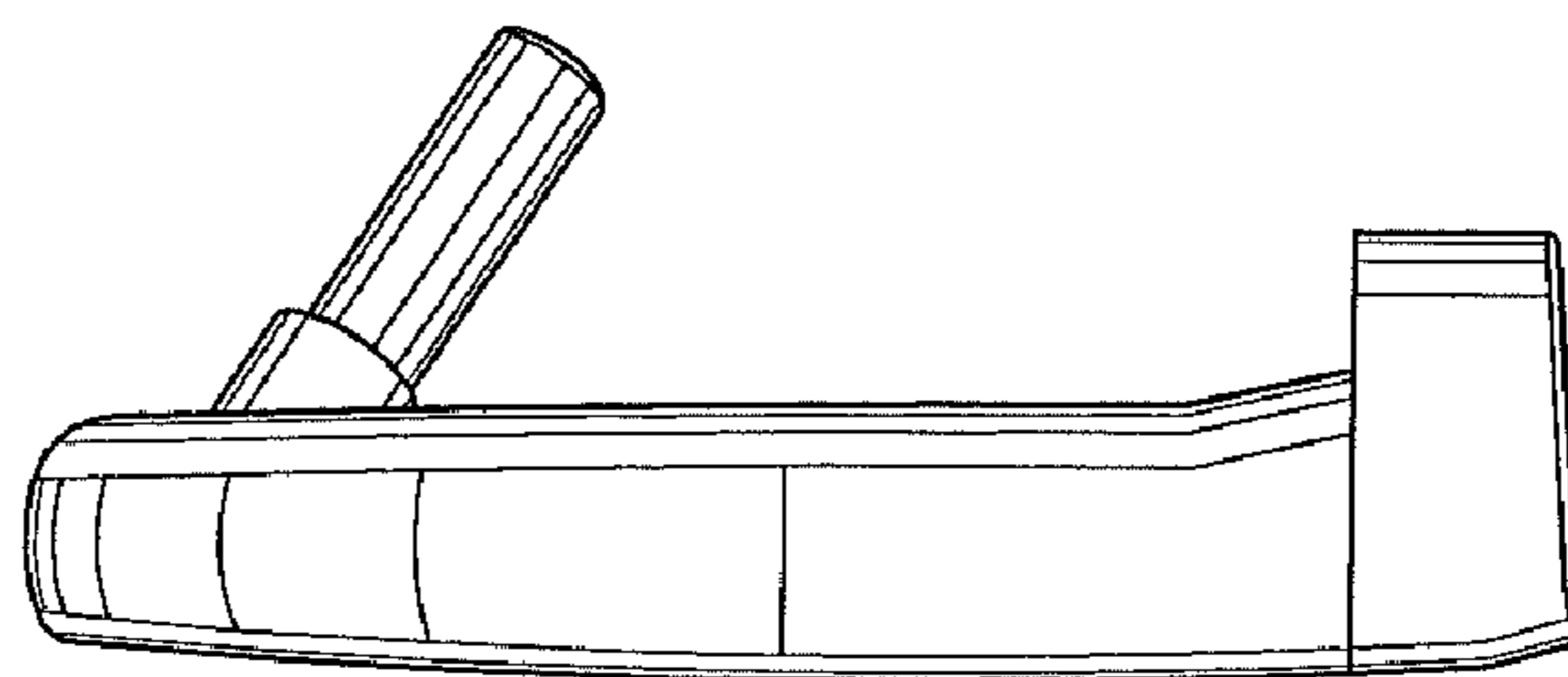


FIG. 6

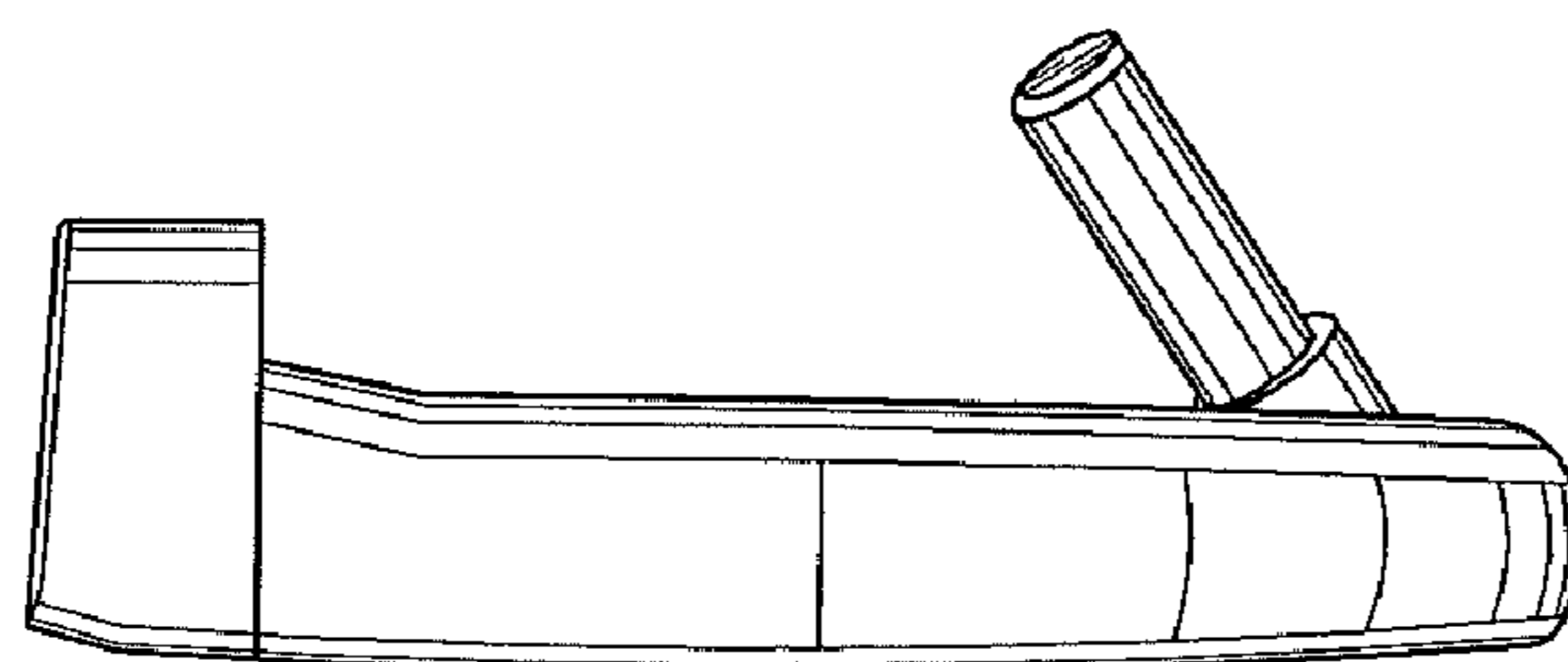


FIG. 7