



(12) **United States Design Patent**
Januszek

(10) **Patent No.:** **US D628,250 S**
(45) **Date of Patent:** **** Nov. 30, 2010**

(54) **DUMBBELL**

2008/0214368 A1* 9/2008 Cao 482/108

(75) Inventor: **Luke Edward Januszek**, Peterborough
(GB)

(73) Assignee: **Escape Fitness Limited**, Peterborough,
Cambridgeshire (GB)

(**) Term: **14 Years**

(21) Appl. No.: **29/359,975**

(22) Filed: **Apr. 19, 2010**

(30) **Foreign Application Priority Data**

Mar. 26, 2010 (EM) 001687088-0001

(51) **LOC (9) Cl.** **21-02**

(52) **U.S. Cl.** **D21/681**

(58) **Field of Classification Search** D21/662,
D21/680-684, 692, 694; 482/44-46, 57,
482/98, 105-108, 110-111, 114-115, 148

See application file for complete search history.

(56) **References Cited**

U.S. PATENT DOCUMENTS

1,991,520	A *	2/1935	Postl	482/108
D279,495	S *	7/1985	Barbeau	D21/681
5,203,753	A *	4/1993	Rothhammer	482/111
D431,992	S *	10/2000	Foley, Jr.	D8/107
D444,516	S *	7/2001	Pearson et al.	D21/681
6,602,169	B1 *	8/2003	Patti	482/107
D504,923	S *	5/2005	Harms et al.	D21/681
7,048,678	B2 *	5/2006	Harms et al.	482/107
7,131,938	B2 *	11/2006	Cao	482/106
D562,920	S *	2/2008	Hillson	D21/681
D567,311	S *	4/2008	Hillson	D21/681
D574,450	S *	8/2008	Januszek	D21/681
D597,613	S *	8/2009	Hillson	D21/681
7,727,130	B2 *	6/2010	Patti	482/104
7,740,569	B2 *	6/2010	Patti	482/107
2005/0143229	A1 *	6/2005	Marr	482/108

FOREIGN PATENT DOCUMENTS

EM	000124631-0001	A1	6/2004
EM	000217336-0001	A1	2/2005
EM	000404975-0005	A1	11/2005
EM	000404975-0006	A1	11/2005
EM	000641345-0004	A1	1/2007
EM	000917851-0001	A1	5/2008
EM	000917851-0002	A1	5/2008
EM	000917851-0003	A1	5/2008
EM	000917851-0004	A1	5/2008
EM	000917851-0005	A1	5/2008
EM	000917851-0006	A1	5/2008
EM	001119028-0001	A1	4/2009

(Continued)

OTHER PUBLICATIONS

Considered U.S. Appl. No. 29/355,776, filed Feb. 12, 2010 no double patenting required.*

Primary Examiner—Susan E Krakower
(74) *Attorney, Agent, or Firm*—Richard M. Goldberg

(57) **CLAIM**

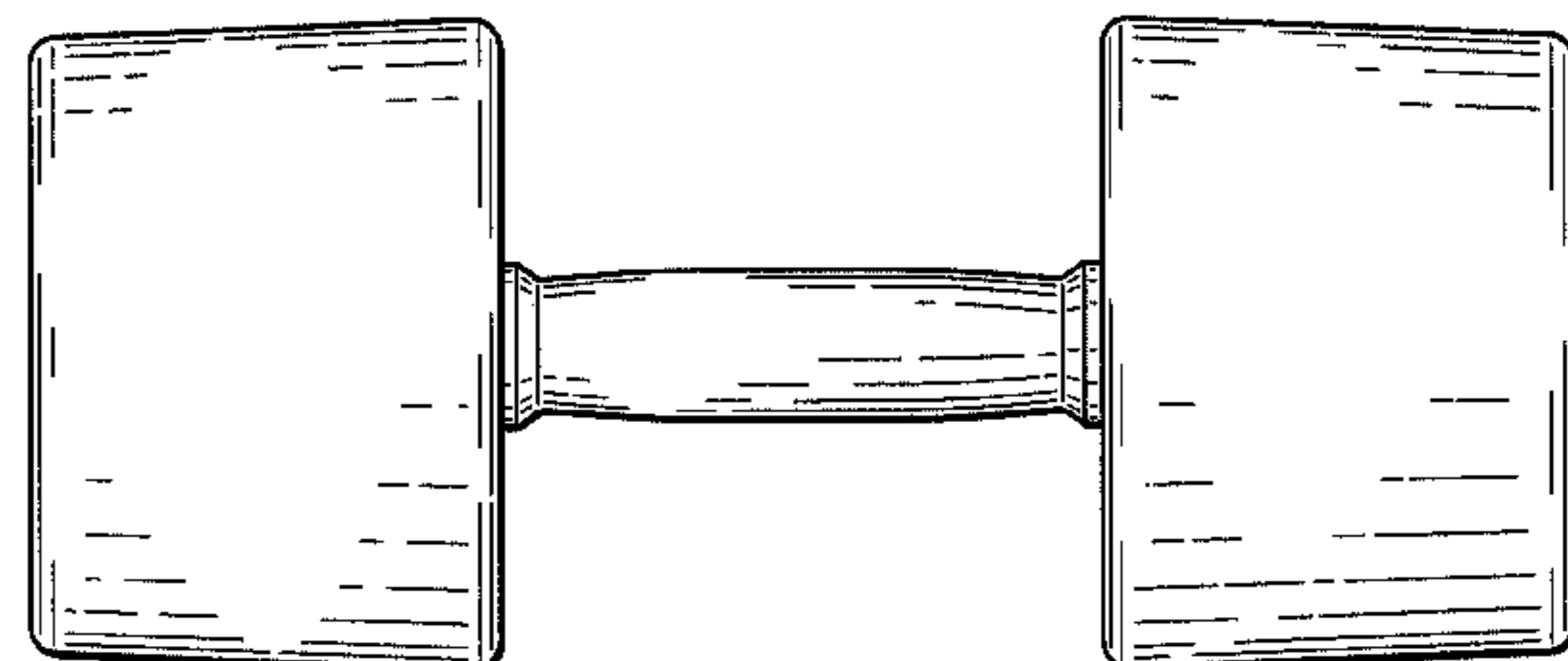
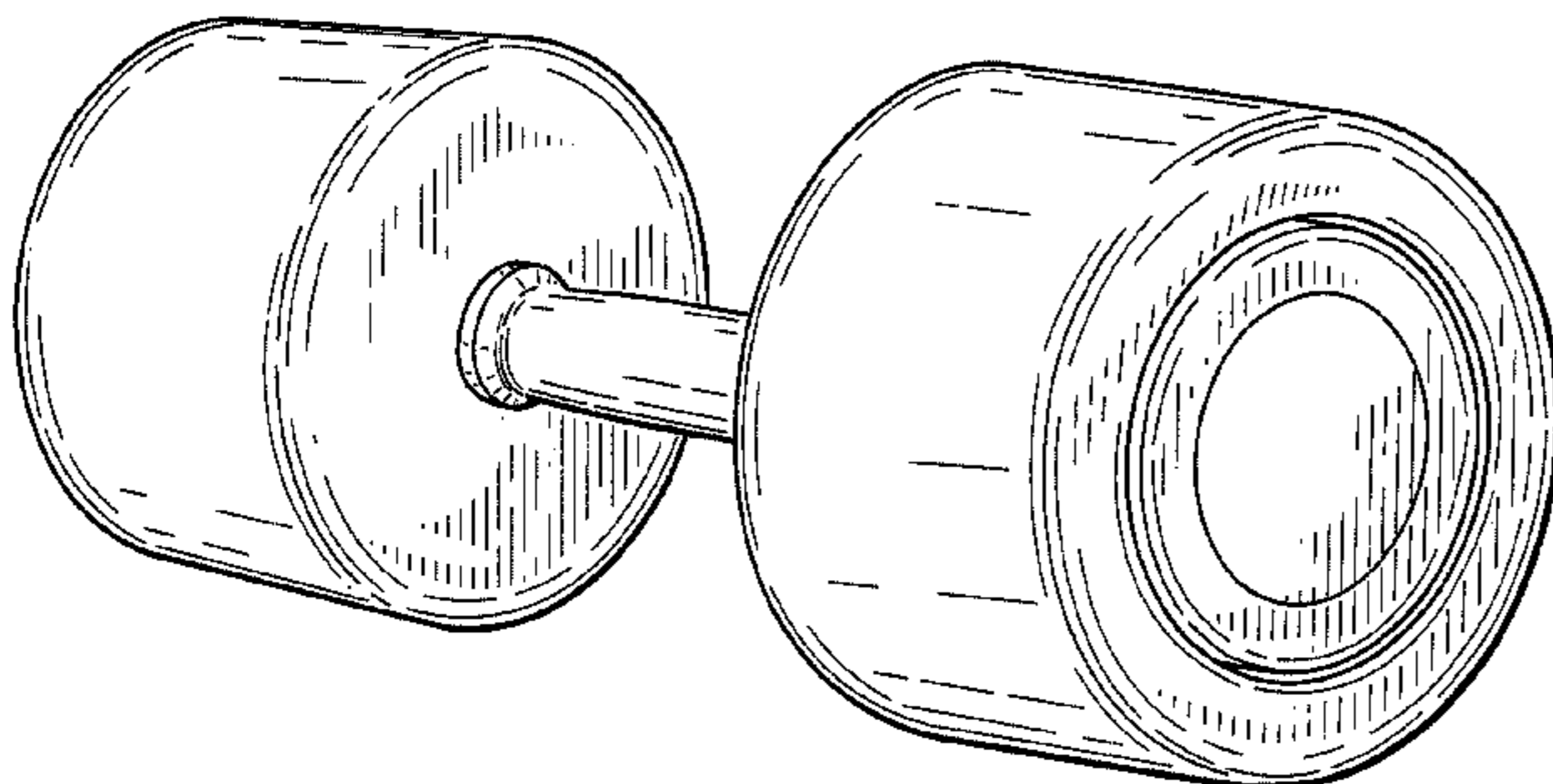
The ornamental design for a dumbbell, as shown and described.

DESCRIPTION

FIG. 1 is a front perspective view of a dumbbell of my design; FIG. 2 is a front elevational view thereof, with the rear elevational view, top plan view and bottom plan view being the same; and,

FIG. 3 is a right end elevational view thereof, with the left end elevational view being the same.

1 Claim, 3 Drawing Sheets



US D628,250 S

Page 2

FOREIGN PATENT DOCUMENTS

EM	001600735-0001	A1	8/2009	EM	001600735-0007	A1	8/2009
EM	001600735-0002	A1	8/2009	EM	001600735-0008	A1	8/2009
EM	001600735-0004	A1	8/2009	EM	001600735-0009	A1	8/2009
EM	001600735-0005	A1	8/2009	GB	3014923		10/2003
EM	001600735-0006	A1	8/2009	GB	3018088		7/2004
				GB	3018089		7/2004

* cited by examiner

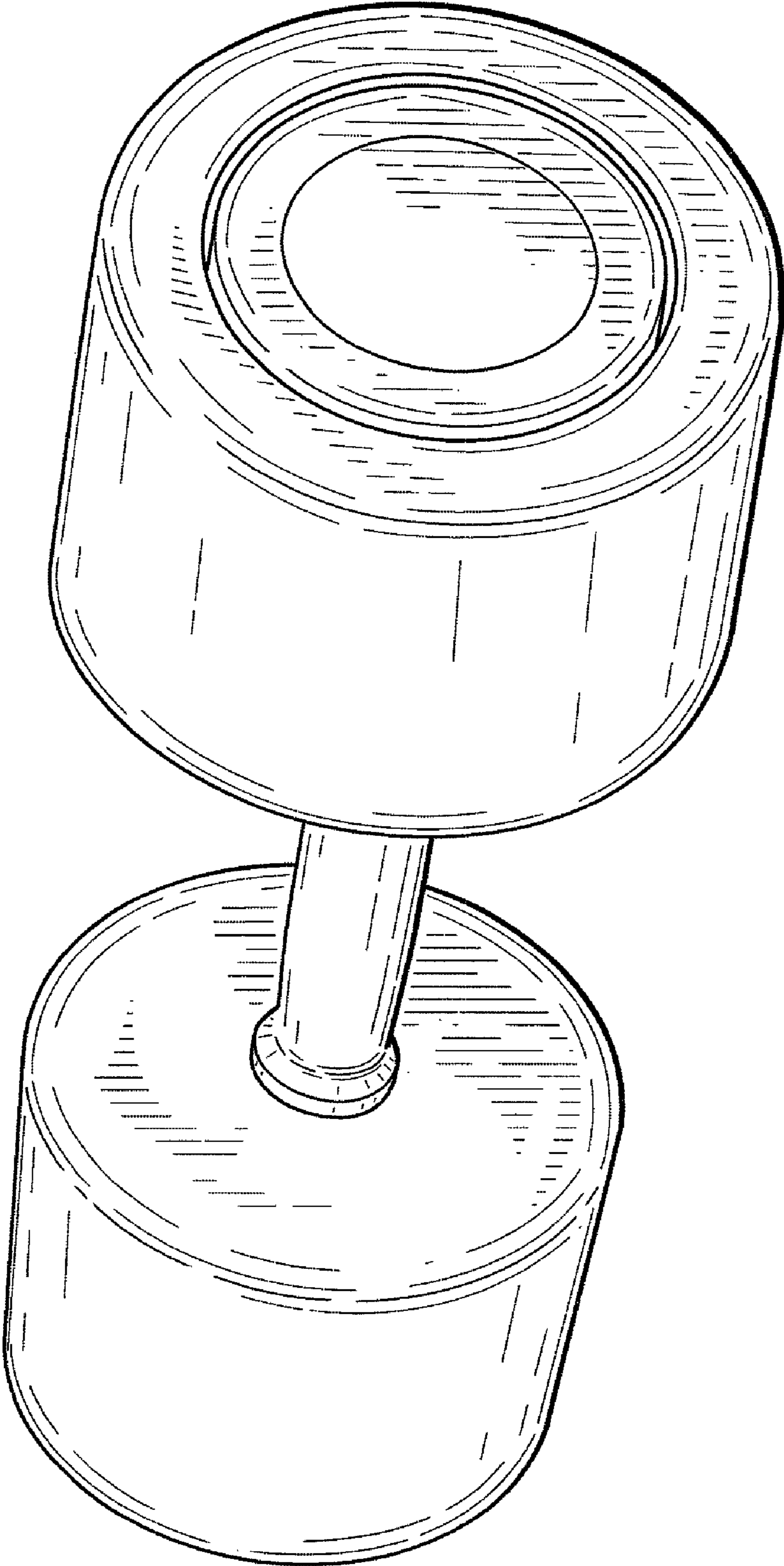


FIG. 1

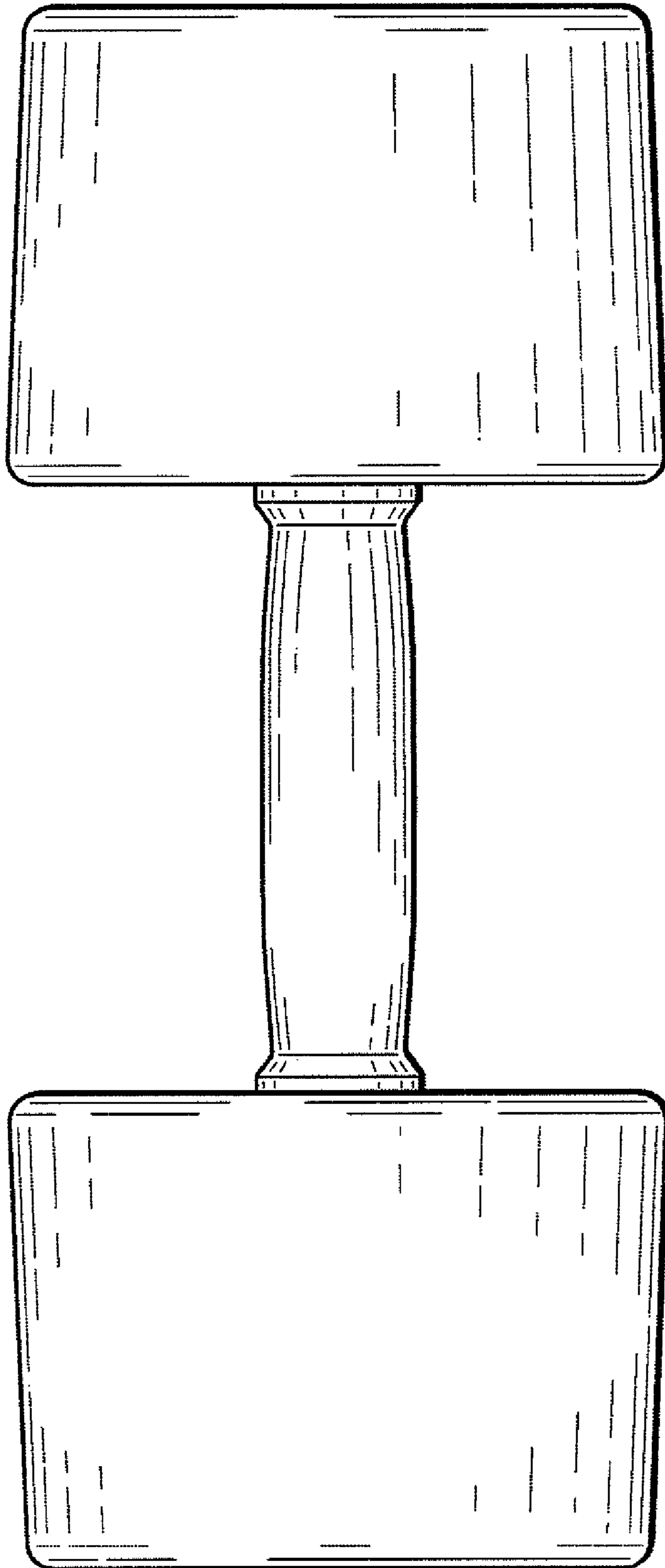


FIG. 2

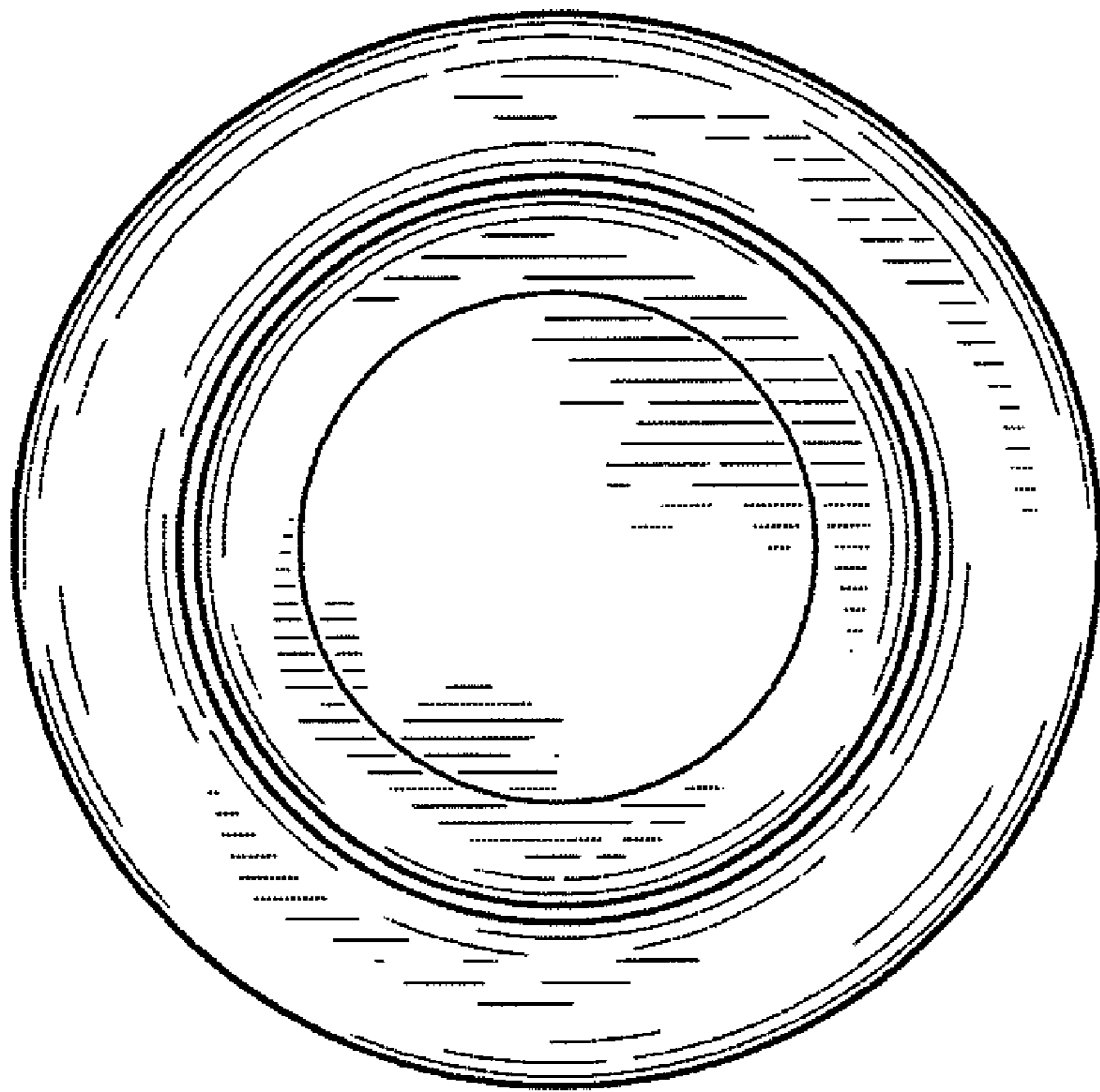


FIG. 3