



US00D628249S

(12) **United States Design Patent**
Wu

(10) **Patent No.:** **US D628,249 S**

(45) **Date of Patent:** **** Nov. 30, 2010**

(54) **HAND-HELD EXERCISER**

(76) Inventor: **Mu-Chuan Wu**, No. 462-7, Chung-Shan Rd., Hsi-Kang Chun, Hsi-Kang Hsiang, Tainan Hsien (TW)

(**) Term: **14 Years**

(21) Appl. No.: **29/359,757**

(22) Filed: **Apr. 15, 2010**

(51) **LOC (9) Cl.** **21-02**

(52) **U.S. Cl.** **D21/681**

(58) **Field of Classification Search** D21/662,
D21/680-684, 692, 694; 482/44-46, 57,
482/98, 110-111, 114-115, 148
See application file for complete search history.

(56) **References Cited**

U.S. PATENT DOCUMENTS

1,438,804	A *	12/1922	Albizu	482/108
2,821,394	A *	1/1958	Barbeau	482/132
3,134,590	A *	5/1964	Young	482/132
D215,057	S *	8/1969	Sun	D21/681
4,838,542	A *	6/1989	Wilkinson	482/45
D328,113	S *	7/1992	Wilkinson et al.	D21/681
5,628,716	A *	5/1997	Brice	482/106
6,224,520	B1 *	5/2001	Hsu	482/107
6,602,169	B1 *	8/2003	Patti	482/107
6,776,741	B2 *	8/2004	Burwell	482/108

7,025,713	B2 *	4/2006	Dalebout et al.	482/107
7,048,678	B2 *	5/2006	Harms et al.	482/107
D527,775	S *	9/2006	Akerstein et al.	D21/662
D546,908	S *	7/2007	Lien	D21/681
7,491,156	B1 *	2/2009	GaoYong	482/108
2008/0108483	A1 *	5/2008	Fife	482/108

* cited by examiner

Primary Examiner—Susan E Krakower

(74) *Attorney, Agent, or Firm*—patenttm.us

(57) **CLAIM**

The ornamental design for a hand-held exerciser, as shown and described.

DESCRIPTION

FIG. 1 is a perspective view of a hand-held exerciser, showing my new design;

FIG. 2 is a front view thereof;

FIG. 3 is a rear view thereof;

FIG. 4 is a left view thereof;

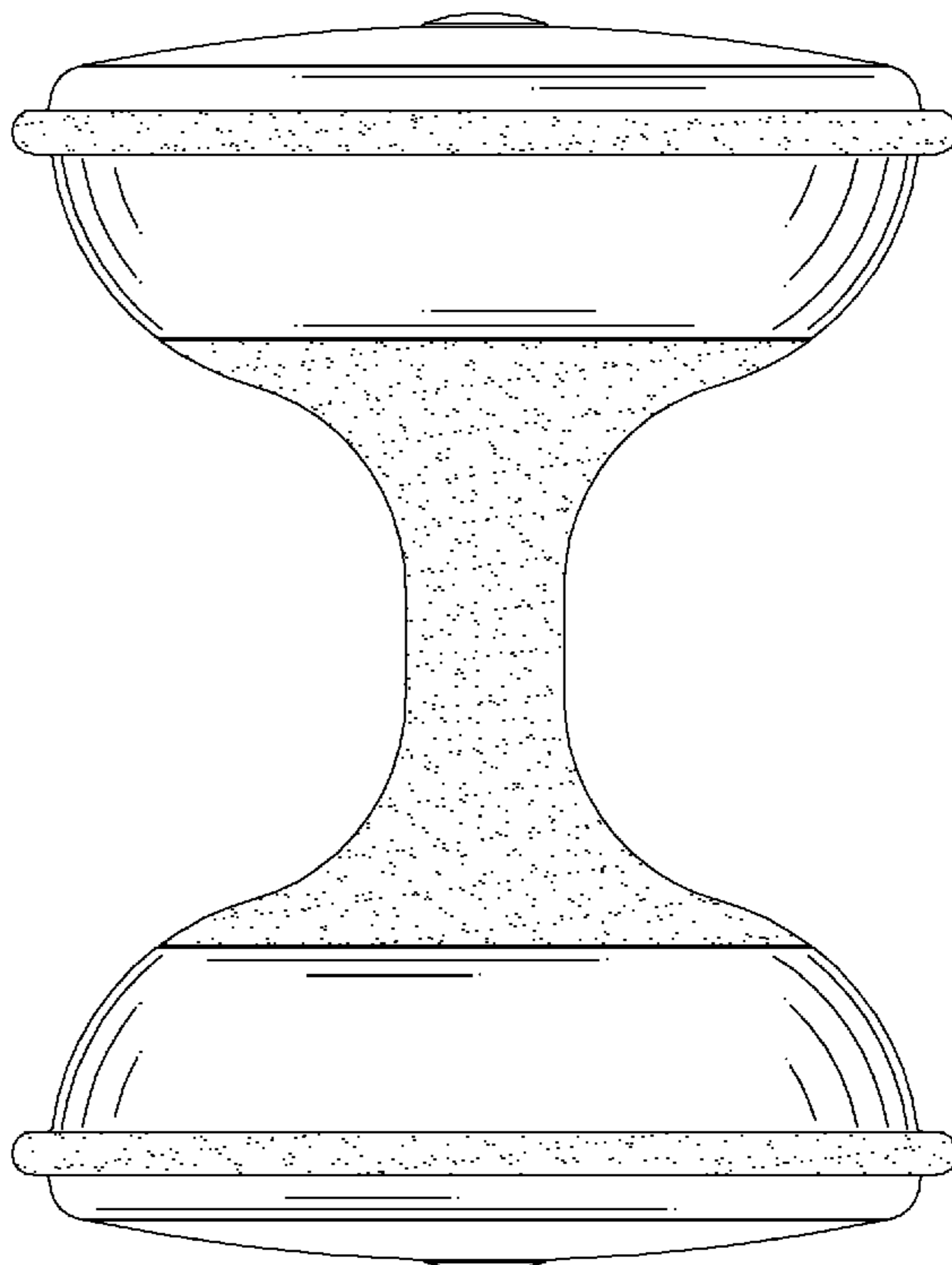
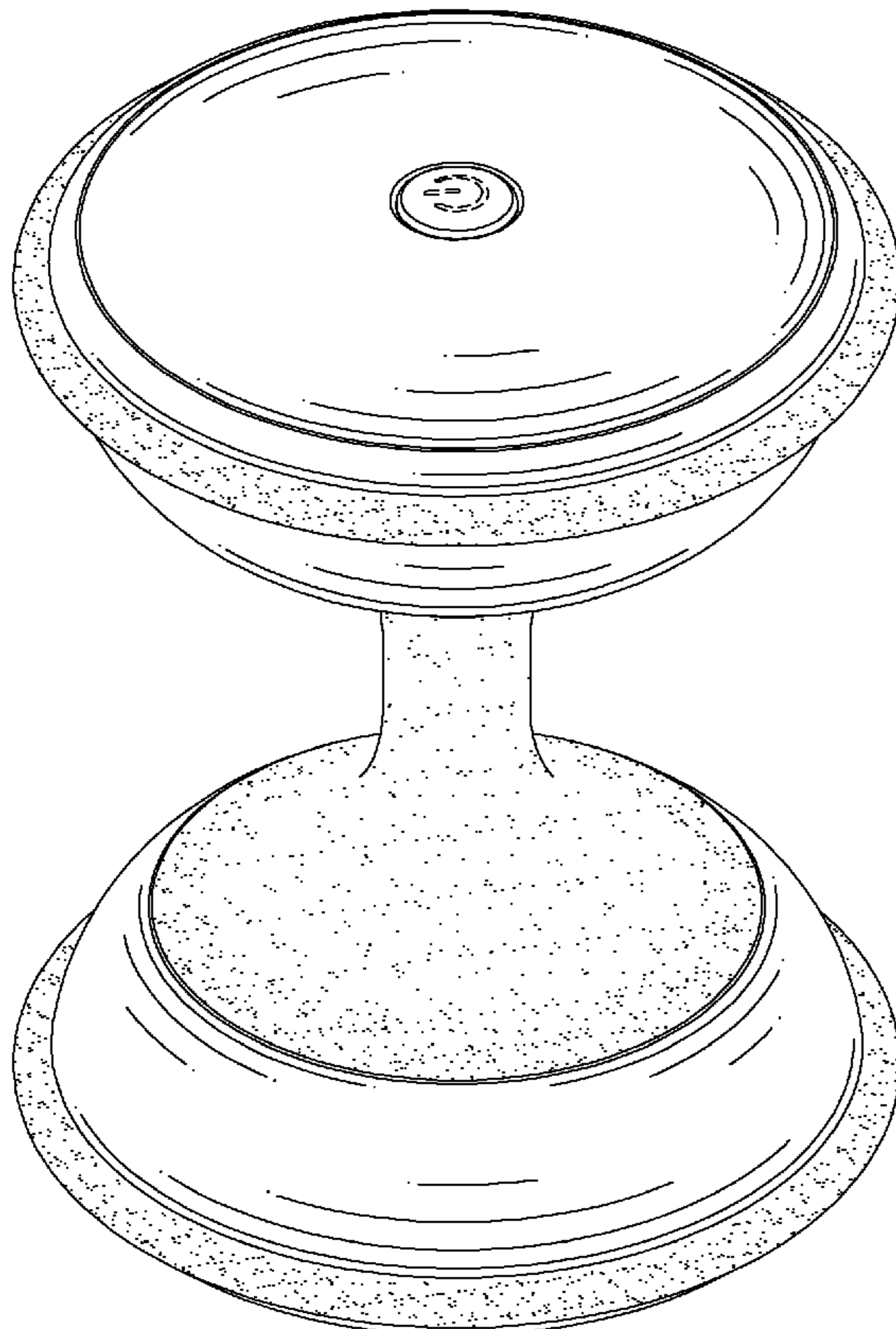
FIG. 5 is a right view thereof;

FIG. 6 is a top view thereof; and,

FIG. 7 is a bottom view thereof.

The broken lines illustrate environmental elements of the hand-held exerciser which form no part of the claimed design.

1 Claim, 7 Drawing Sheets



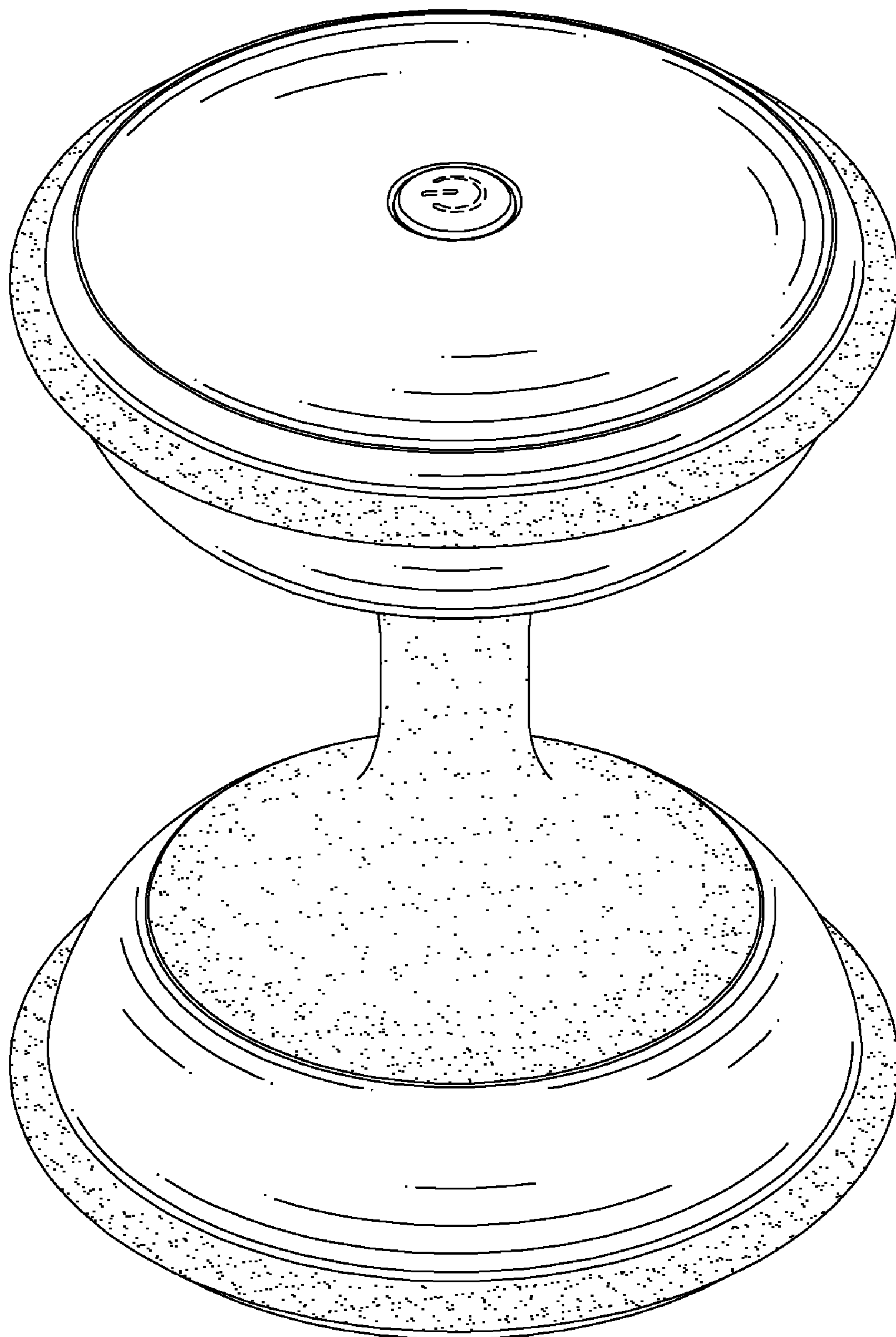


FIG. 1

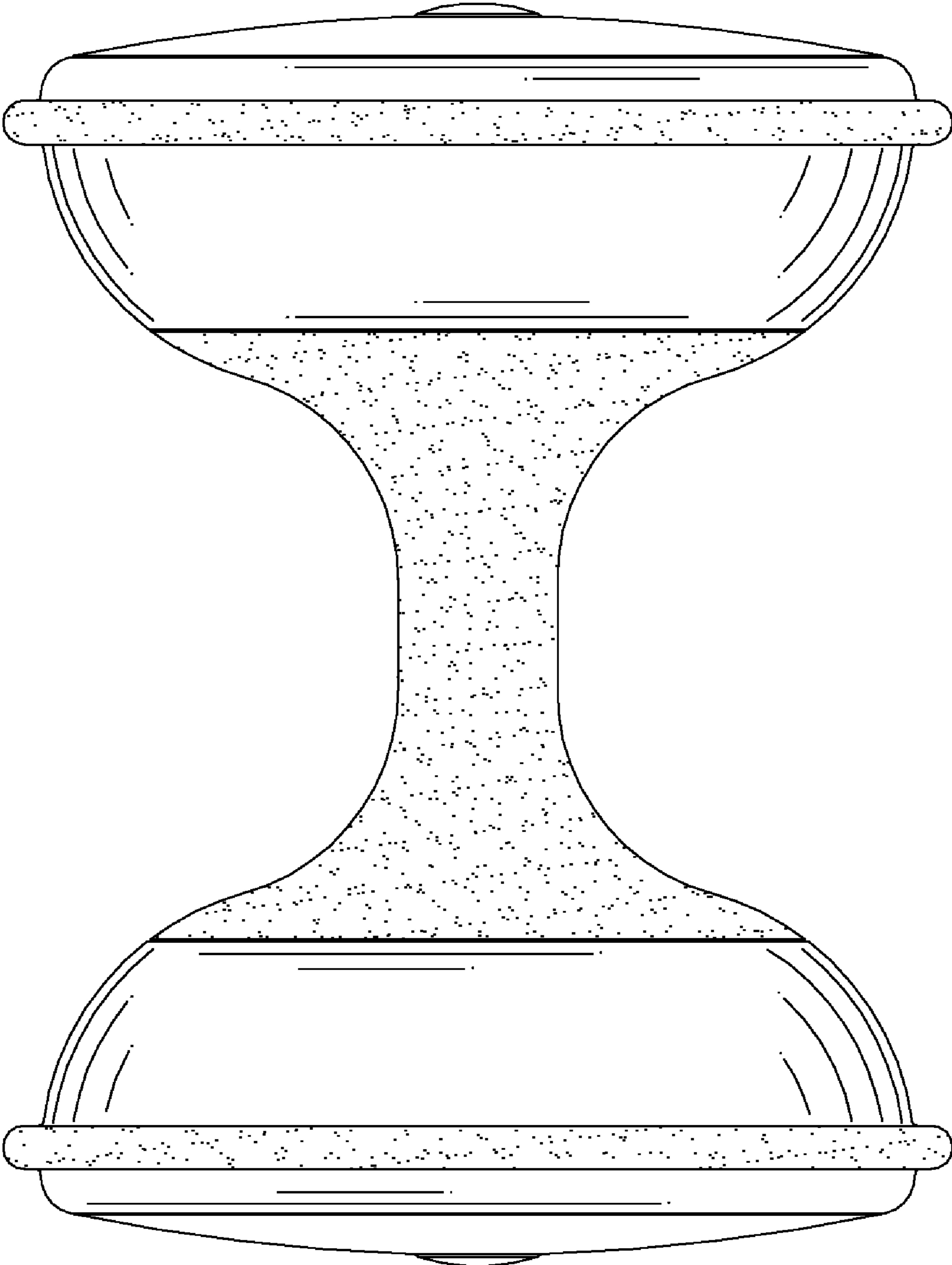


FIG. 2

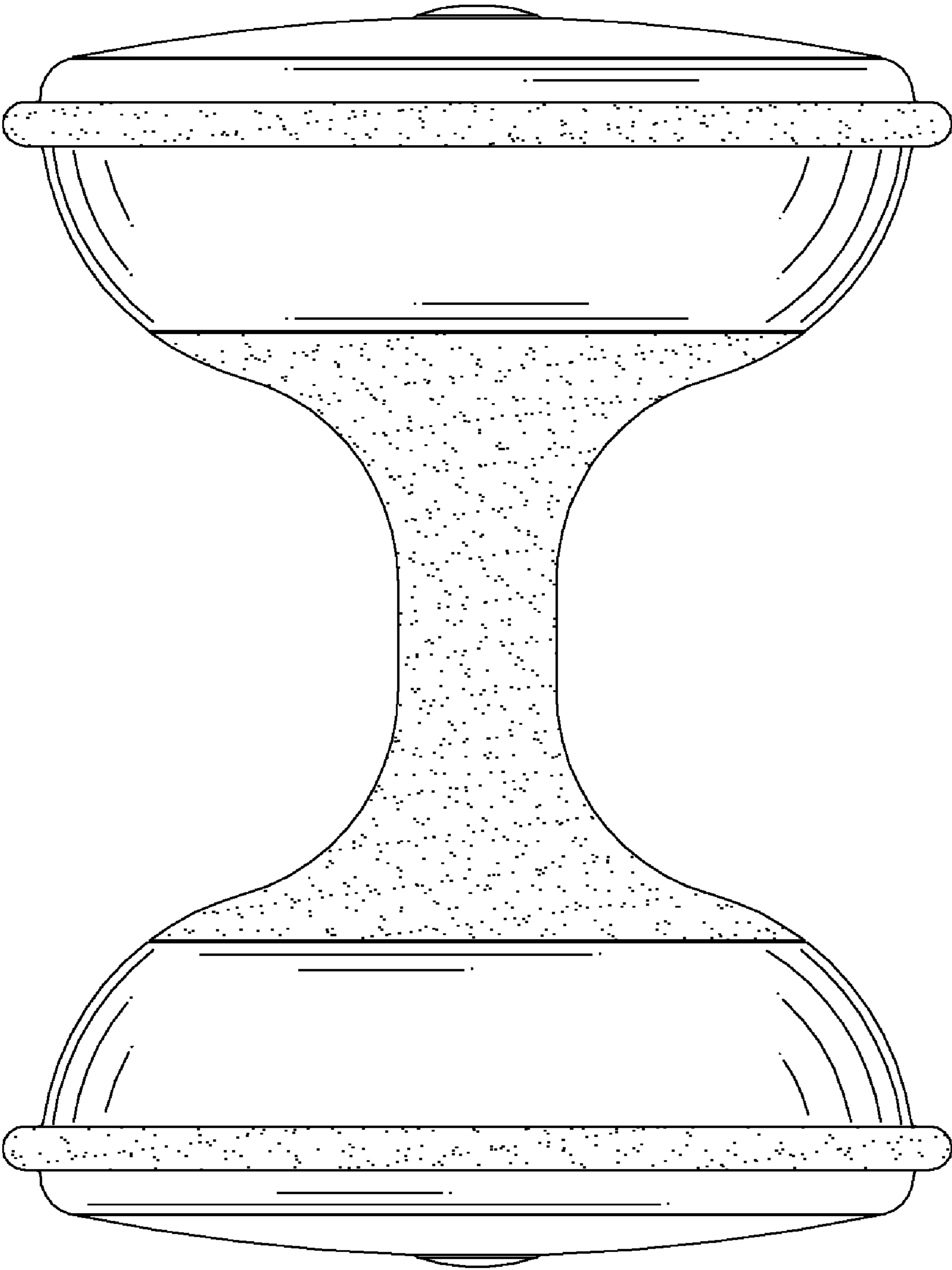


FIG. 3

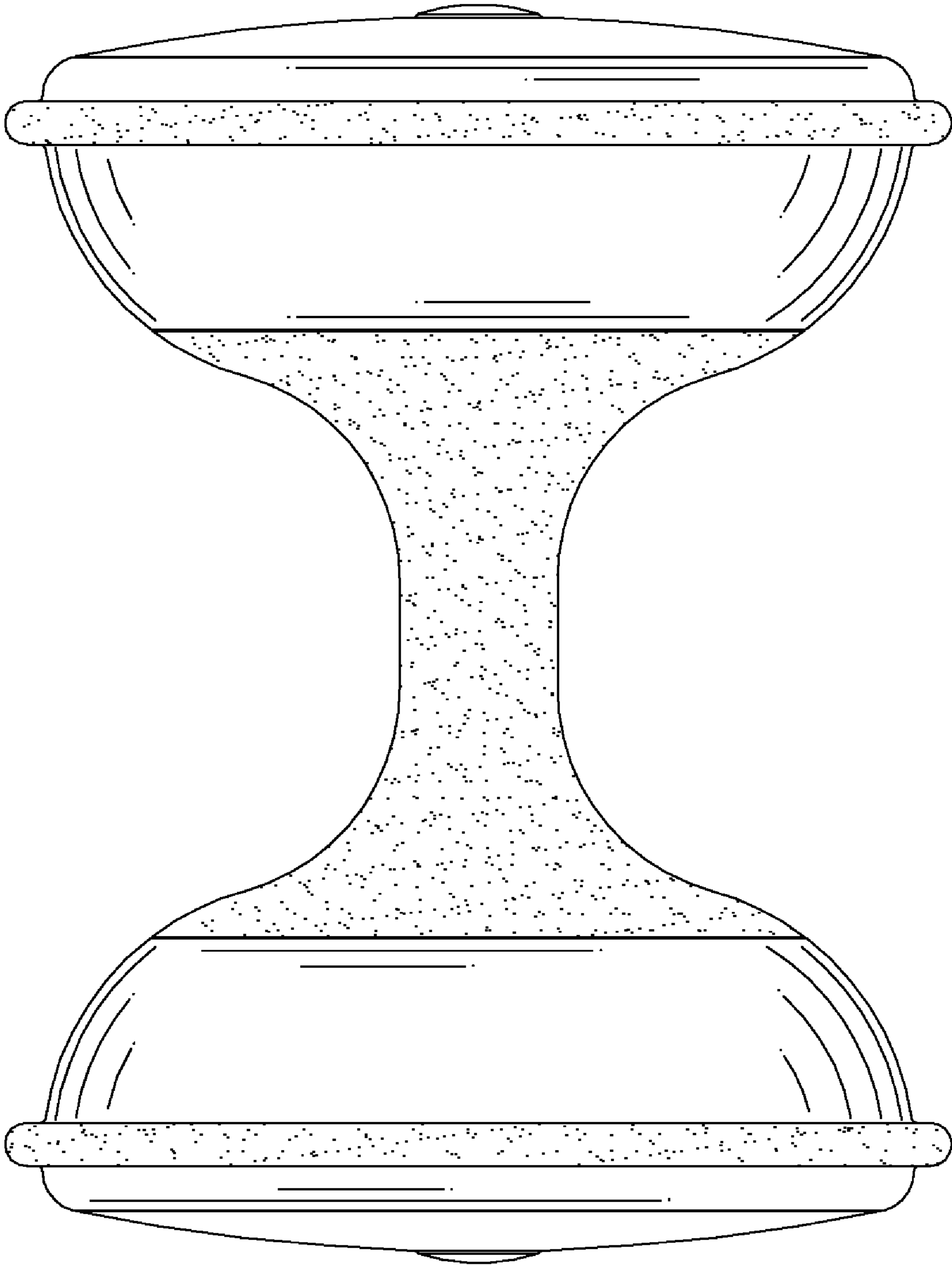


FIG. 4

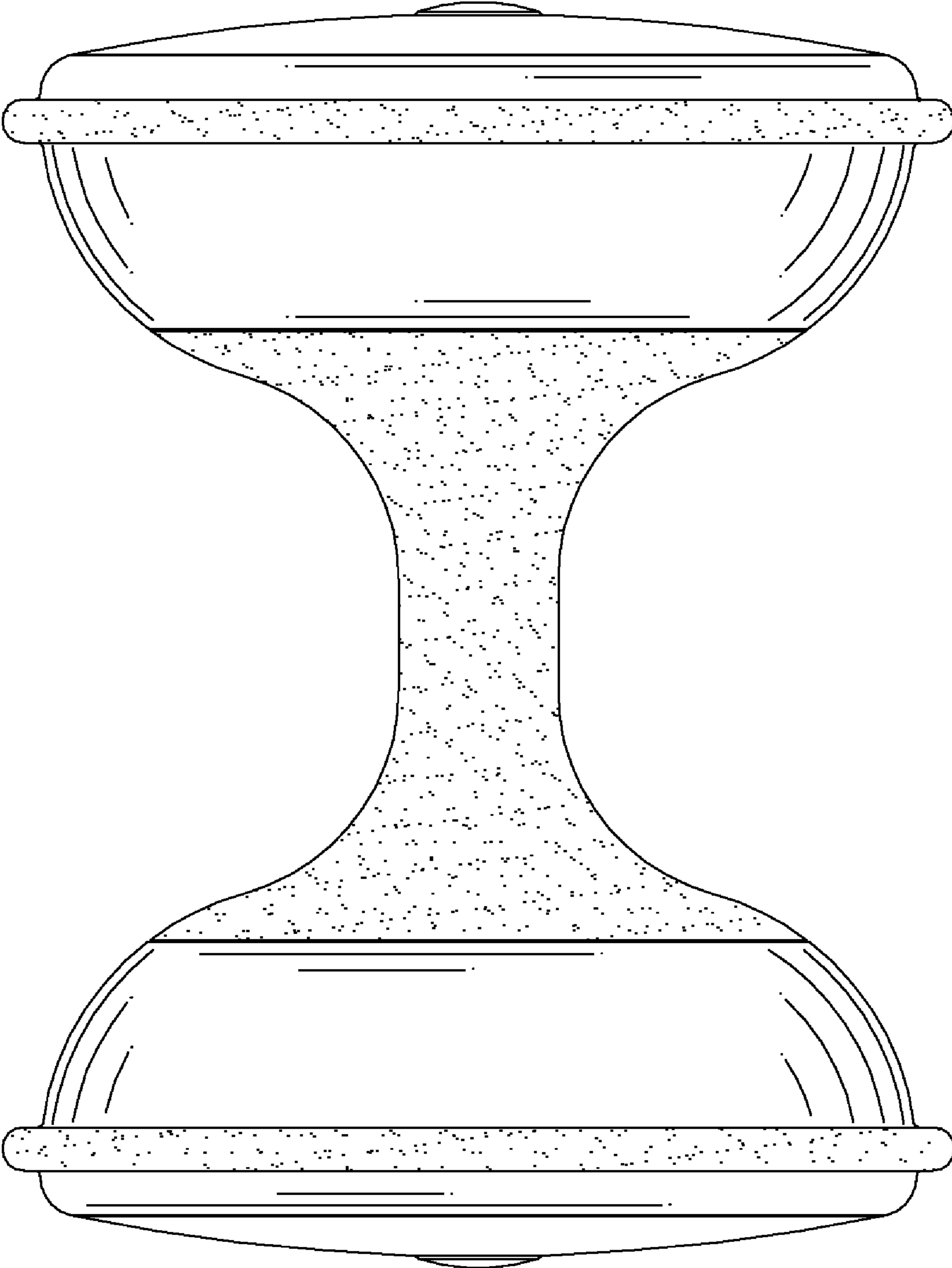


FIG. 5

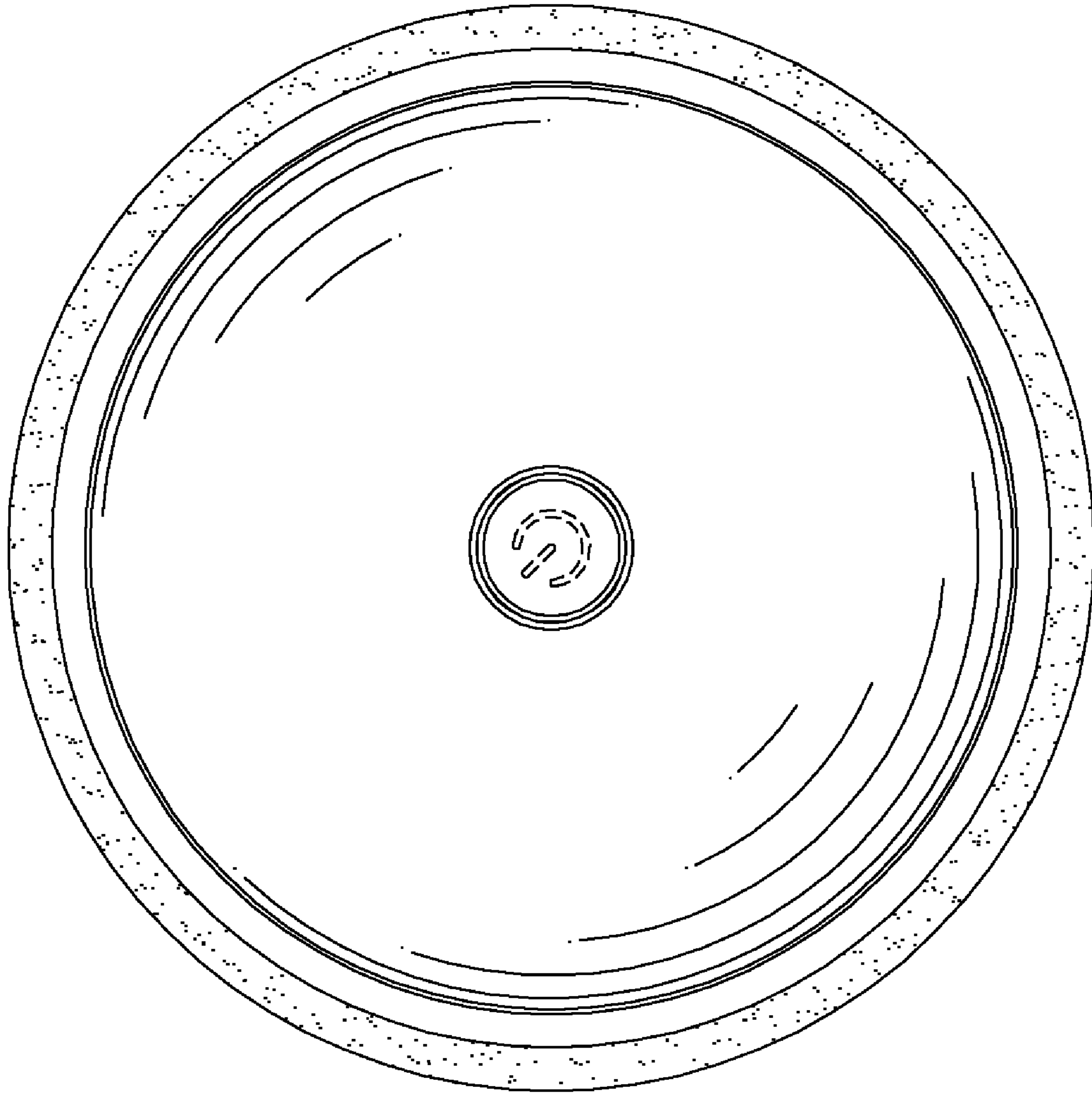


FIG. 6

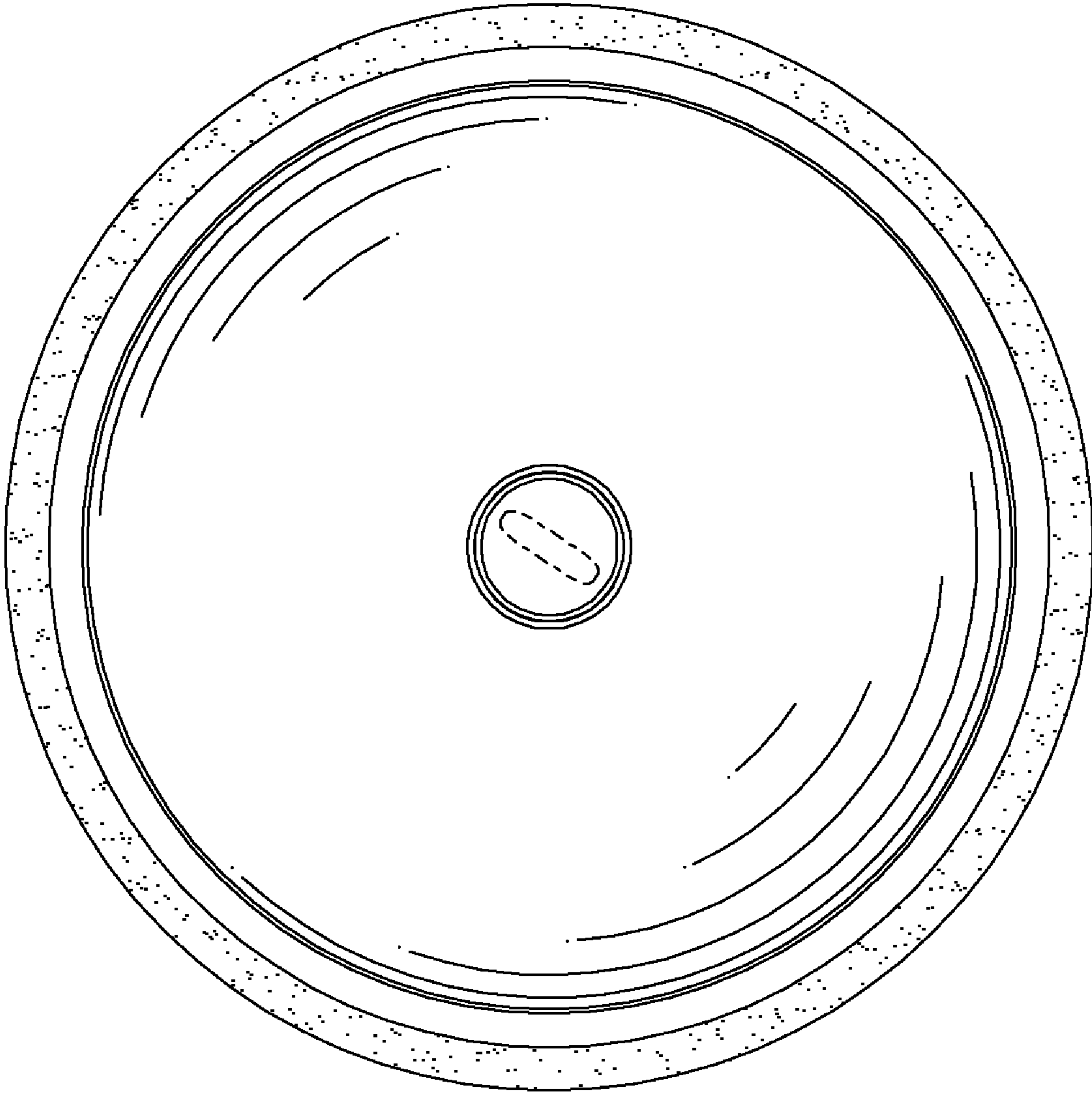


FIG. 7