



US00D628247S

(12) **United States Design Patent**
de Boers et al.

(10) **Patent No.:** **US D628,247 S**

(45) **Date of Patent:** **** Nov. 30, 2010**

(54) **EXERCISE APPARATUS**

(75) Inventors: **Albert de Boers**, Amsterdam (NL);
Gerrit van der Houwen, Zoetermeer
(NL); **Floris Johannes van Drenth**,
Houten (NL); **Maurits George Marie**
von Heijden, Leiderdorp (NL); **Andries**
Zijta, Capelle aan den IJssel (NL)

(73) Assignee: **Straksstrak B.V.**, Zoetermeer (NL)

(**) Term: **14 Years**

(21) Appl. No.: **29/358,124**

(22) Filed: **Mar. 23, 2010**

(30) **Foreign Application Priority Data**

Sep. 23, 2009 (EM) 001615022

(51) **LOC (9) Cl.** **21-02**

(52) **U.S. Cl.** **D21/671; D21/686**

(58) **Field of Classification Search** D21/662,
D21/670-671, 685-686, 688-689, 692, 694;
482/52, 79-80, 121-123, 129-130, 140,
482/142, 146-147; D25/65; D6/349, 350,
D6/484

See application file for complete search history.

(56) **References Cited**

U.S. PATENT DOCUMENTS

D280,052 S * 8/1985 Hypponen D6/349
D311,282 S * 10/1990 Tooley D6/349

5,248,286 A * 9/1993 Wilkinson et al. 482/52
5,330,399 A * 7/1994 Fan 482/34
D349,540 S * 8/1994 Hand et al. D21/671
D357,517 S * 4/1995 Traetta D21/690
5,474,513 A * 12/1995 Carlesimo et al. 482/140
5,807,213 A * 9/1998 Poncini 482/91
6,634,999 B2 * 10/2003 Herbst 482/142
D510,485 S * 10/2005 Selby D6/330
D521,301 S * 5/2006 Dickson D6/601
D555,741 S * 11/2007 Wachtfogel et al. D21/686
D560,259 S * 1/2008 Heggdal D21/690

* cited by examiner

Primary Examiner—Susan E Krakower

(74) *Attorney, Agent, or Firm*—Collen IP; Donald J. Ranft

(57) **CLAIM**

The ornamental design for exercise apparatus, as shown and described.

DESCRIPTION

FIG. 1 is a front perspective view of my new, original and ornamental design for a exercise apparatus;

FIG. 2 is a bottom rear perspective view thereof;

FIG. 3 is a front view thereof;

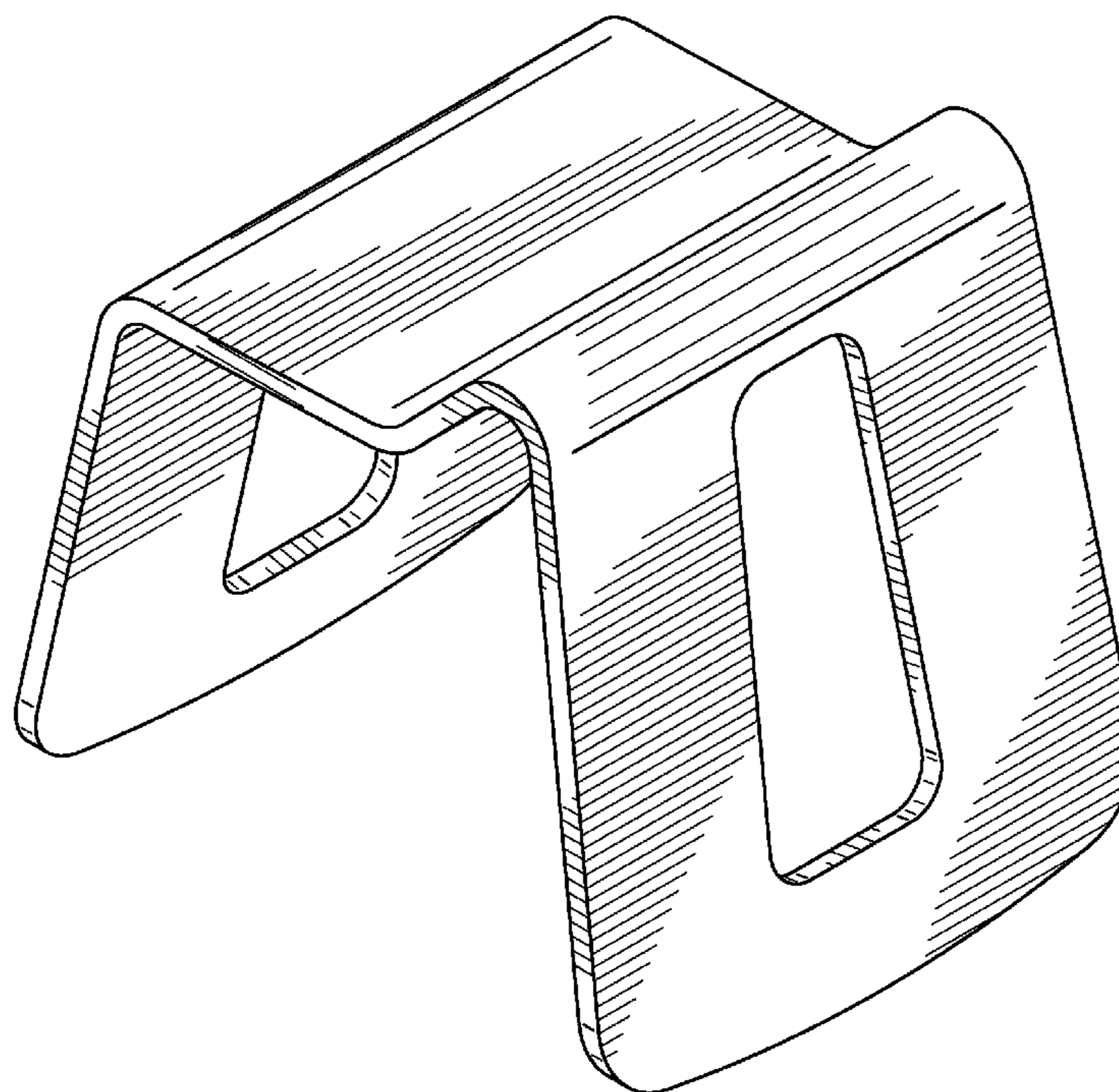
FIG. 4 is a rear view thereof;

FIG. 5 is a top view thereof;

FIG. 6 is a bottom view thereof; and,

FIG. 7 is a right side view thereof.

1 Claim, 5 Drawing Sheets



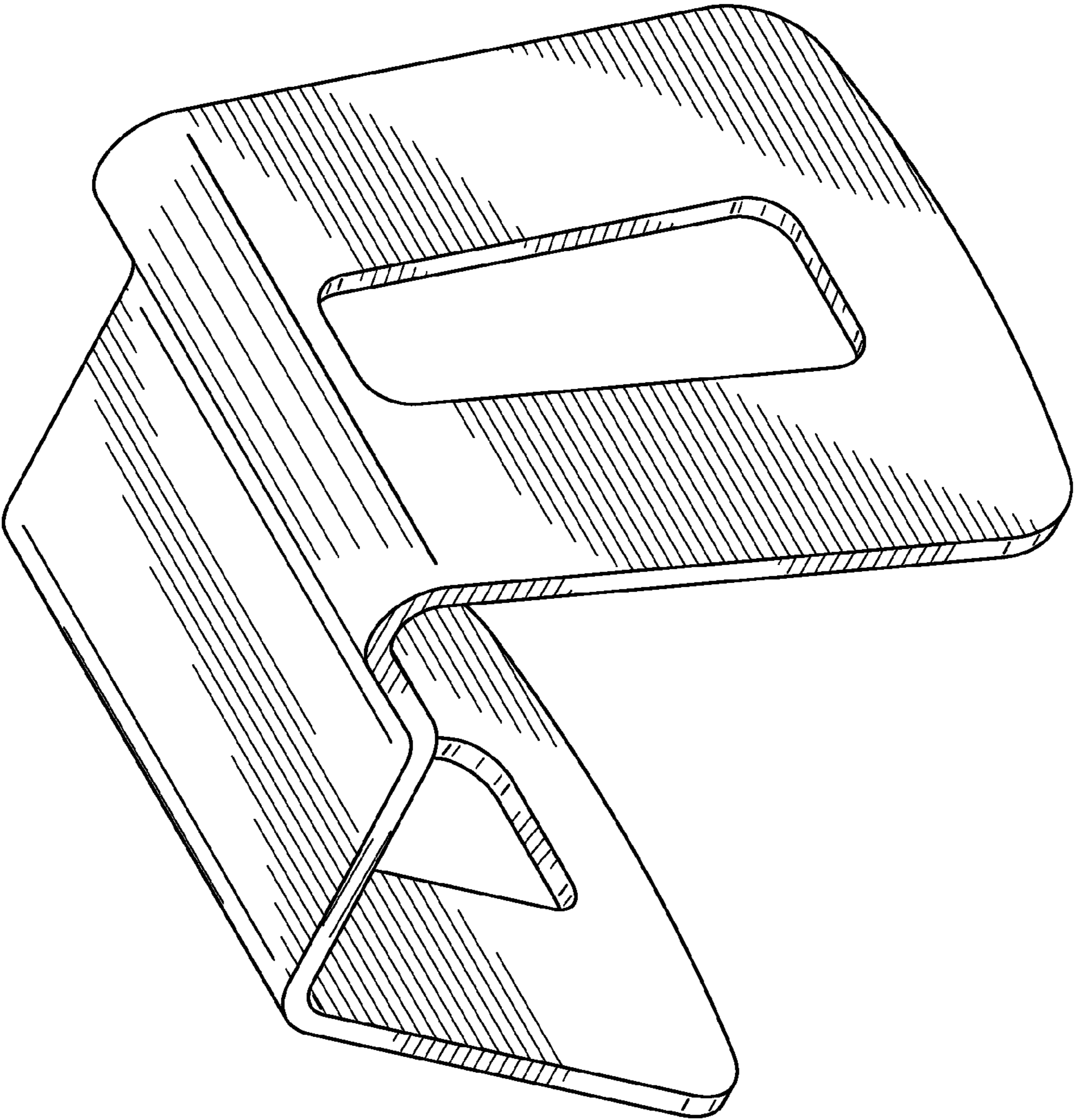


FIG. 1

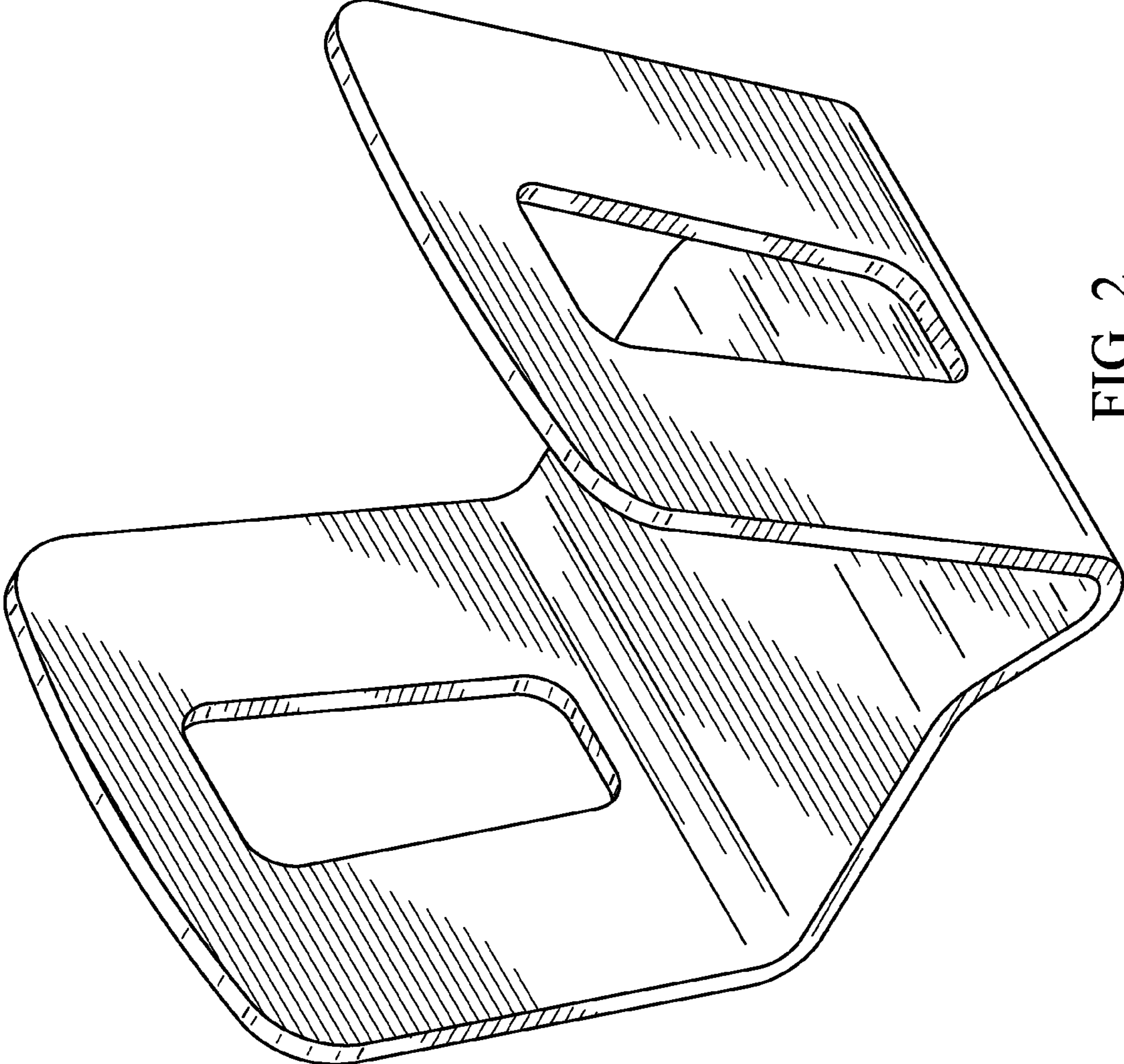


FIG. 2

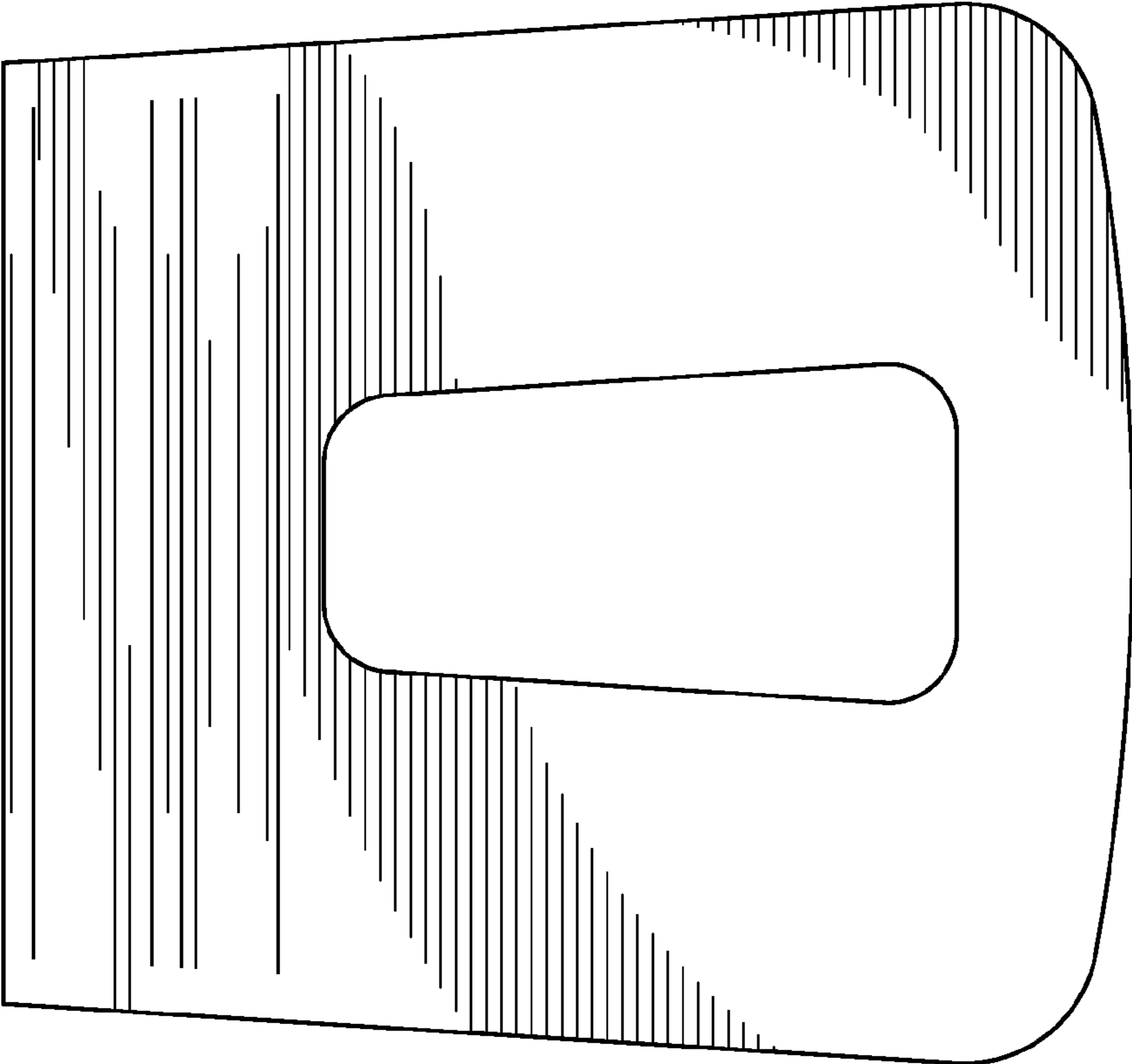


FIG. 4

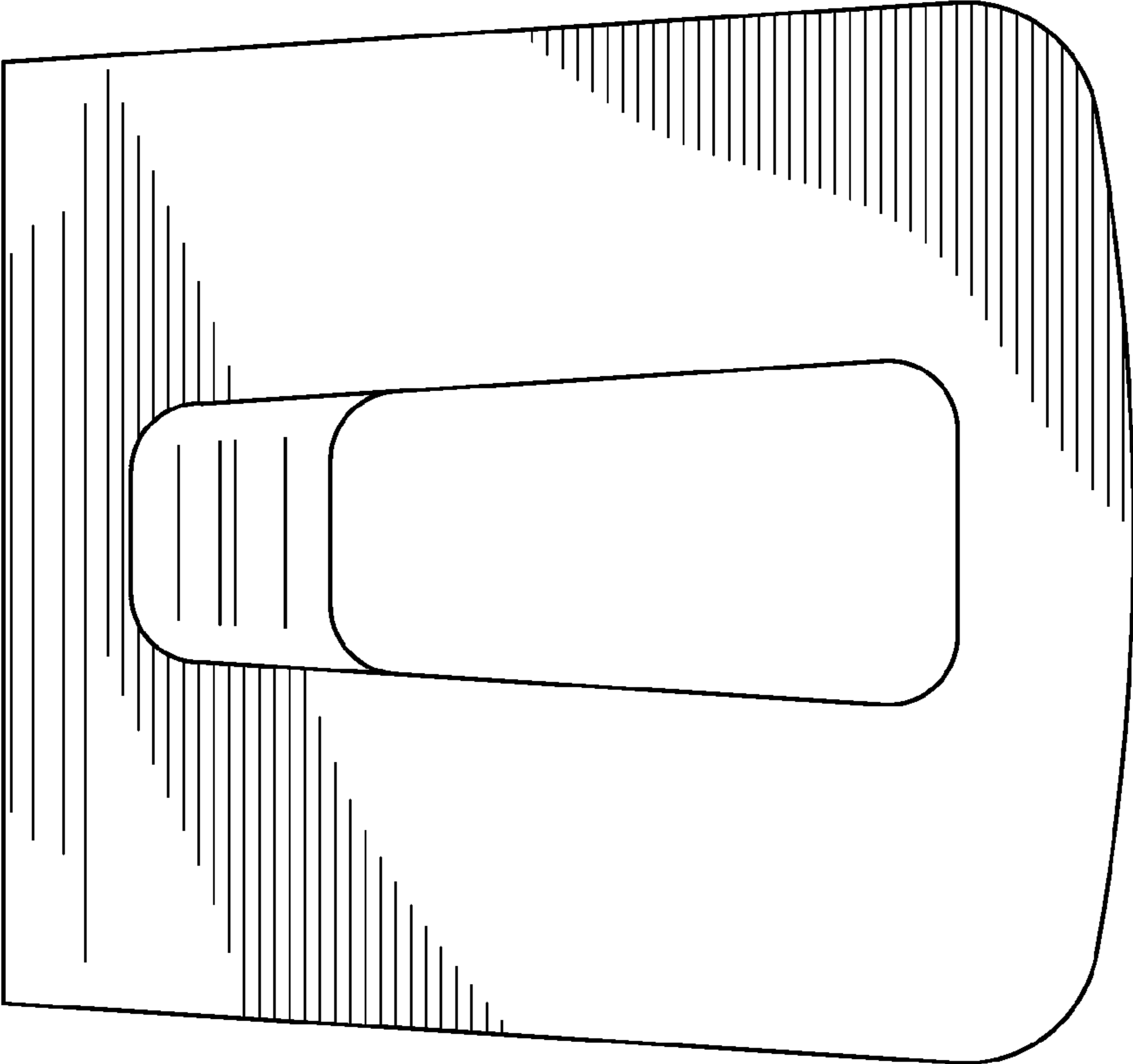


FIG. 3

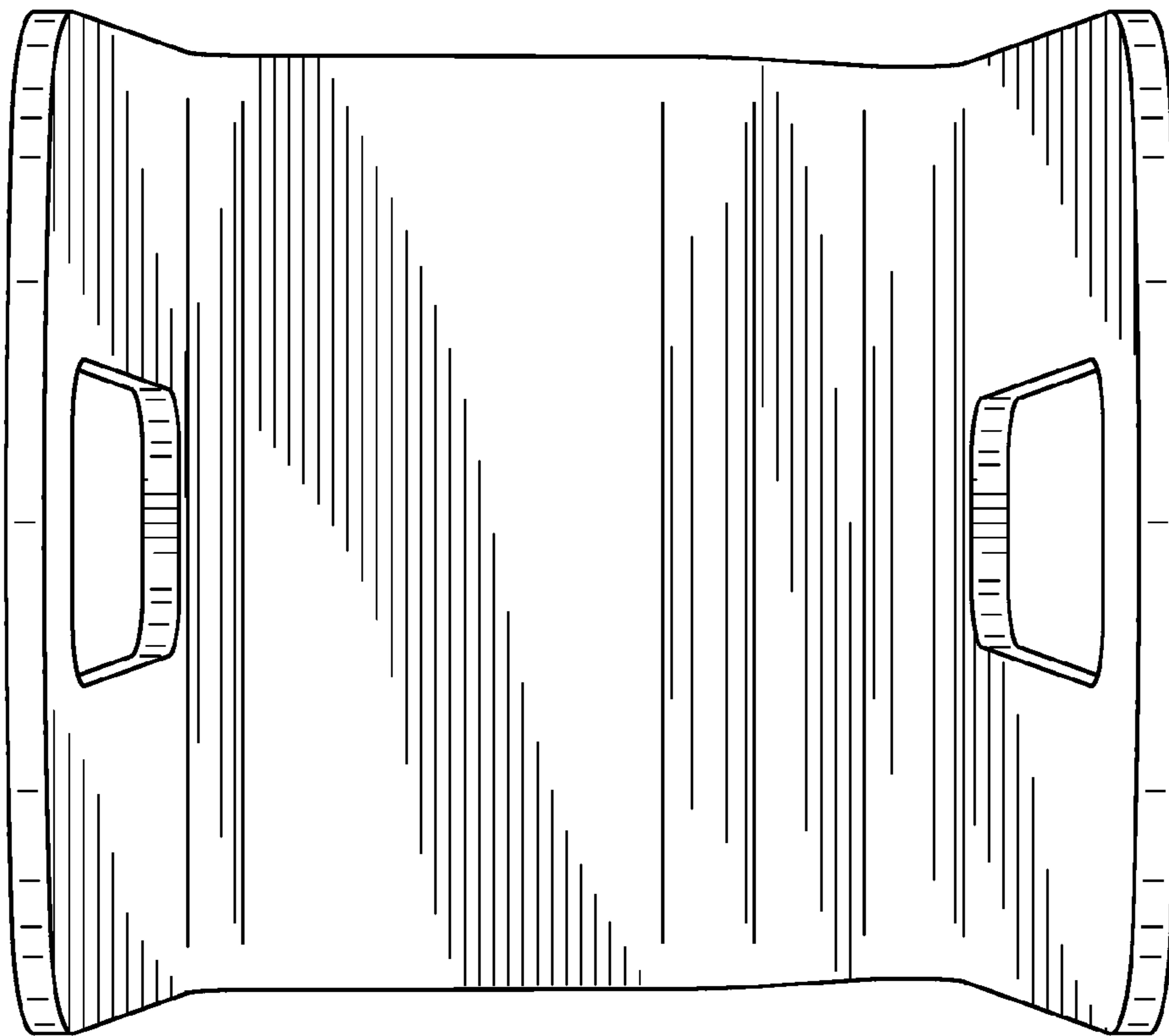


FIG. 6

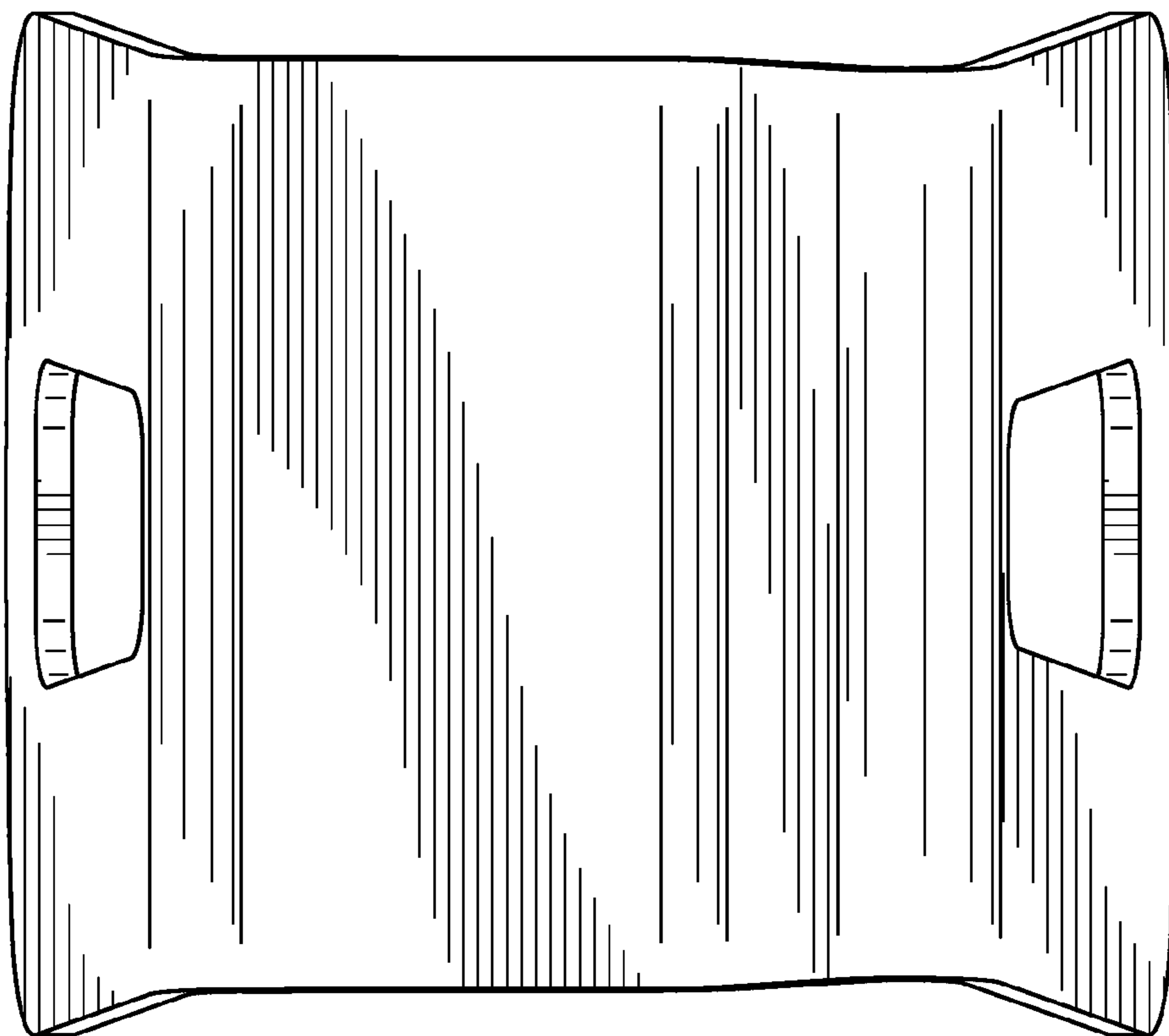


FIG. 5

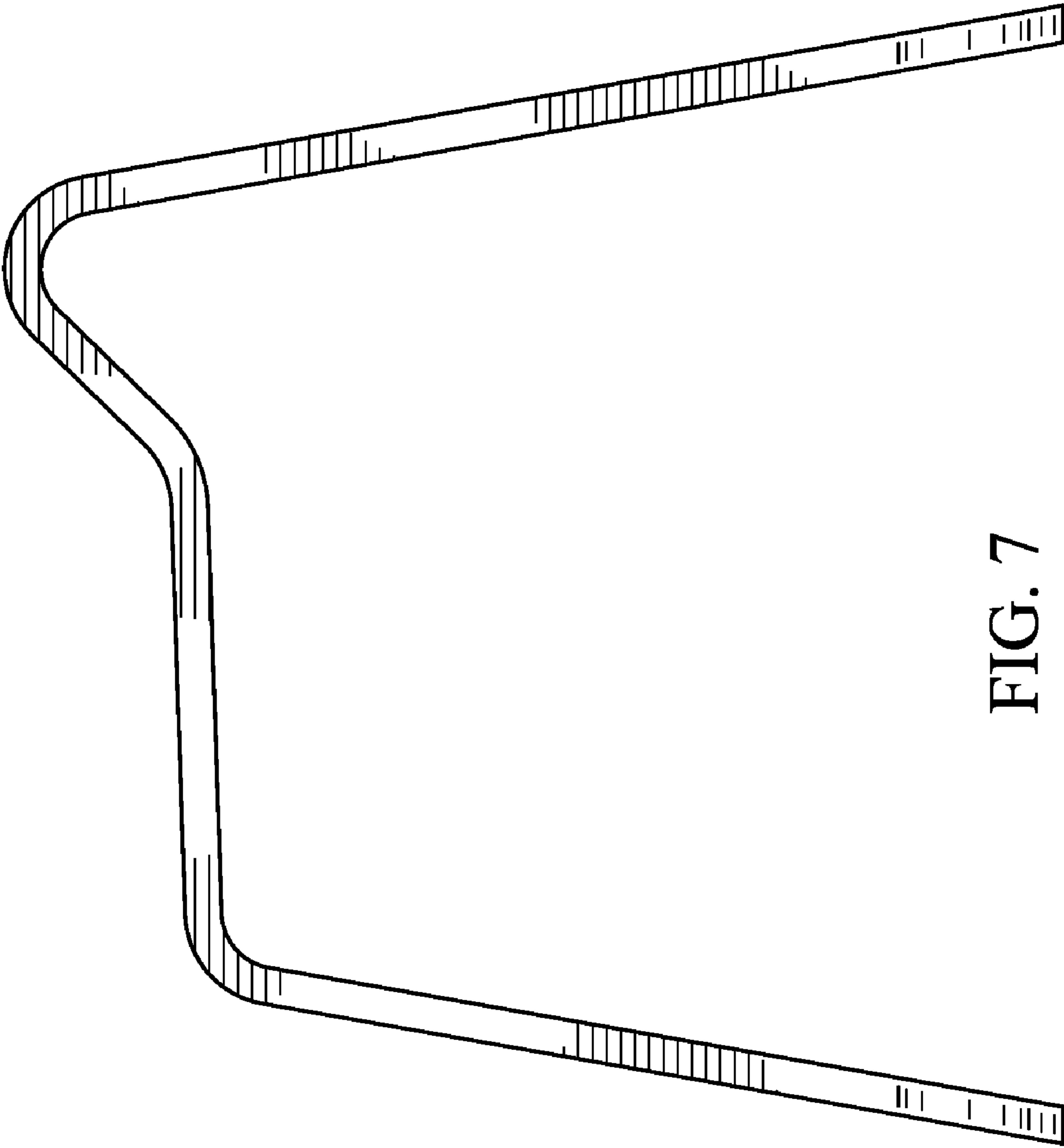


FIG. 7