



US00D628244S

(12) **United States Design Patent**  
**Fish**

(10) **Patent No.:** **US D628,244 S**  
(45) **Date of Patent:** **\*\* Nov. 30, 2010**

(54) **TOY PLANE**

D597,148 S \* 7/2009 Lin ..... D21/448

(76) Inventor: **Peter Alan Fish**, 2B Bruce Ave, Killara,  
NSW (AU) 2071

\* cited by examiner

*Primary Examiner*—Sandra Morris

(74) *Attorney, Agent, or Firm*—Baker & McKenzie LLP

(\*\*) Term: **14 Years**

(21) Appl. No.: **29/351,043**

(57) **CLAIM**

(22) Filed: **Nov. 30, 2009**

The ornamental design for a toy plane, as shown and described.

(30) **Foreign Application Priority Data**

**DESCRIPTION**

Aug. 19, 2009 (CN) ..... 200930206052

(51) **LOC (9) Cl.** ..... **21-01**

FIG. 1 is a top plan view of a first component of the toy plane in accordance with my design;

(52) **U.S. Cl.** ..... **D21/449; D21/447**

FIG. 2 is a top plan view of a second component of the toy plane in accordance with my design;

(58) **Field of Classification Search** ..... D12/319,  
D12/324–329, 447–452; D21/441–442,  
D21/447–452; 244/17.11, 17.13, 17.19,  
244/17.23, 17.25; 446/34, 36, 55–61, 67–68,  
446/230–232

FIG. 3 is a top plan view of the toy plane in accordance with my design comprising the first component and the second component assembled together;

See application file for complete search history.

FIG. 4 is a front elevation view of the toy plane in accordance with my design comprising the first component and the second component assembled together;

(56) **References Cited**

FIG. 5 is a bottom plan view of the toy plane in accordance with my design comprising the first component and the second component assembled together;

**U.S. PATENT DOCUMENTS**

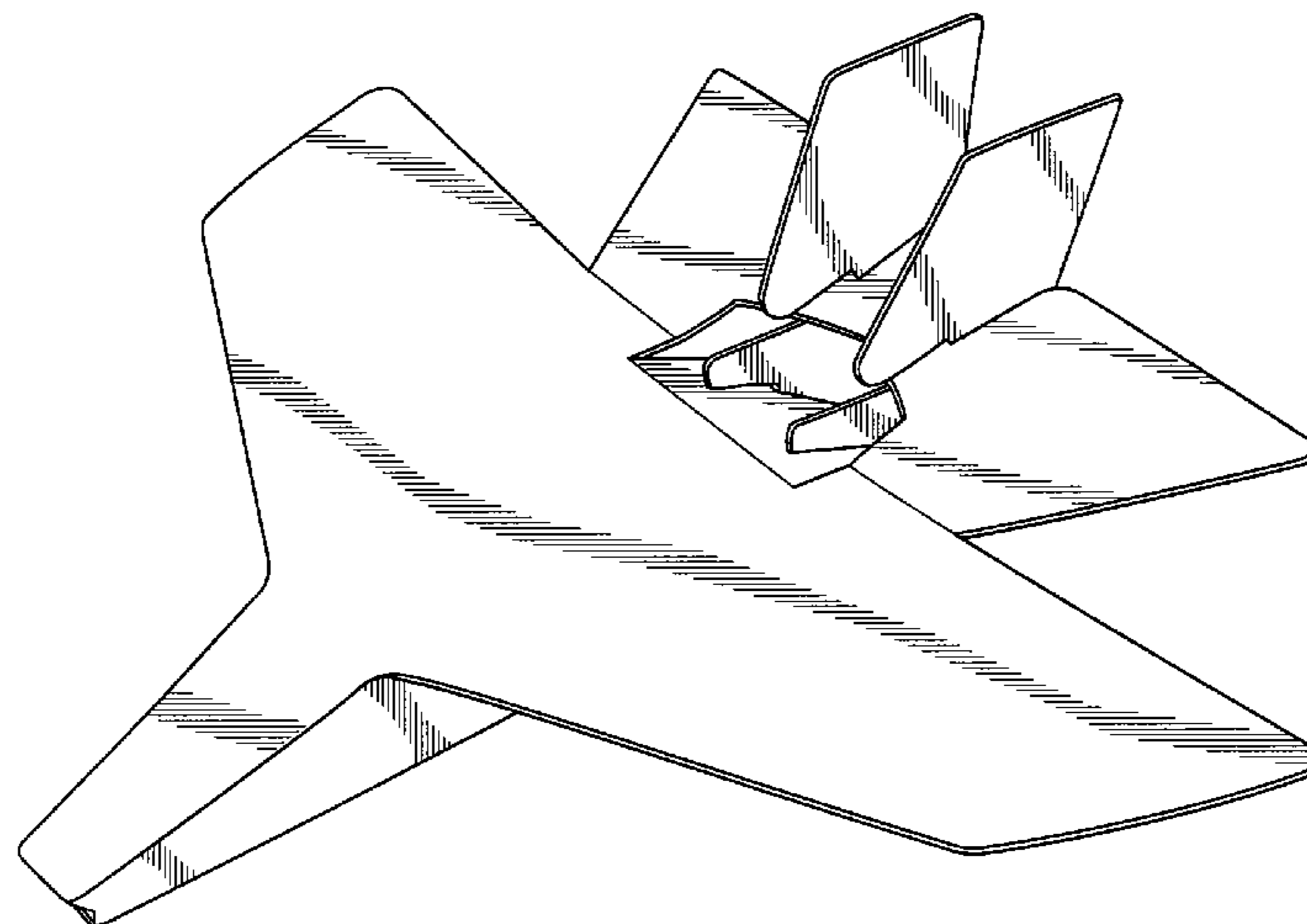
- 3,246,425 A \* 4/1966 Miller ..... 446/61
- 4,033,070 A \* 7/1977 Strongin et al. .... 446/68
- D283,144 S \* 3/1986 Jensen ..... D21/448
- D292,910 S \* 11/1987 McGiboney ..... D12/342
- 5,482,489 A \* 1/1996 Stone ..... 446/67
- D370,502 S \* 6/1996 Nye ..... D21/449
- D410,504 S \* 6/1999 Tsai ..... D21/449
- D419,278 S \* 1/2000 Knutson et al. .... D21/448
- D482,409 S \* 11/2003 Tabor ..... D21/449
- D544,549 S \* 6/2007 Glatz ..... D21/449
- D577,392 S \* 9/2008 Van de Rostyne et al. .. D21/449

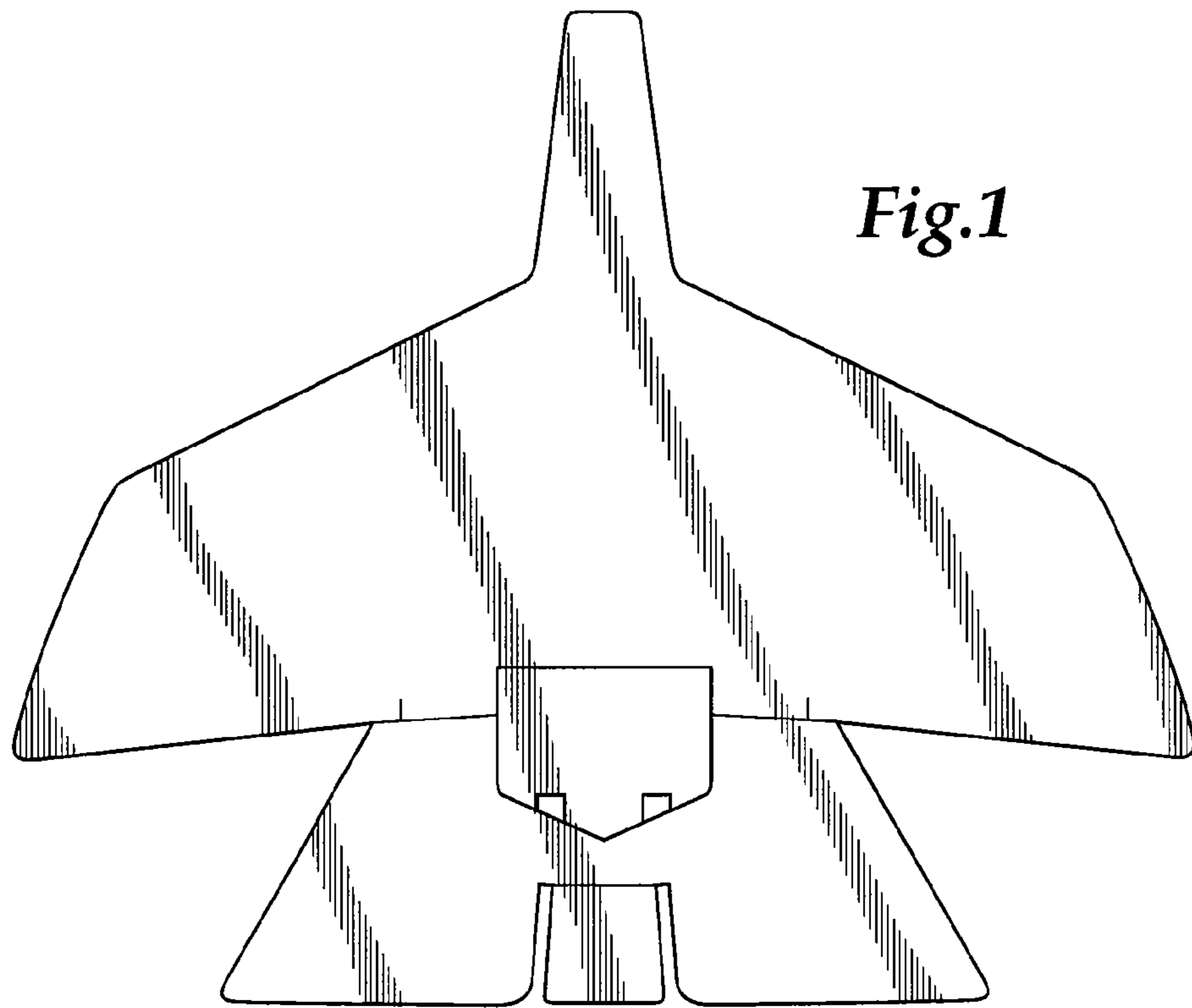
FIG. 6 is a back elevation view of the toy plane in accordance with my design comprising the first component and the second component assembled together;

FIG. 7 is a side elevation view of the toy plane in accordance with my design comprising the first component and the second component assembled together, the opposite side being a mirror image of that shown; and,

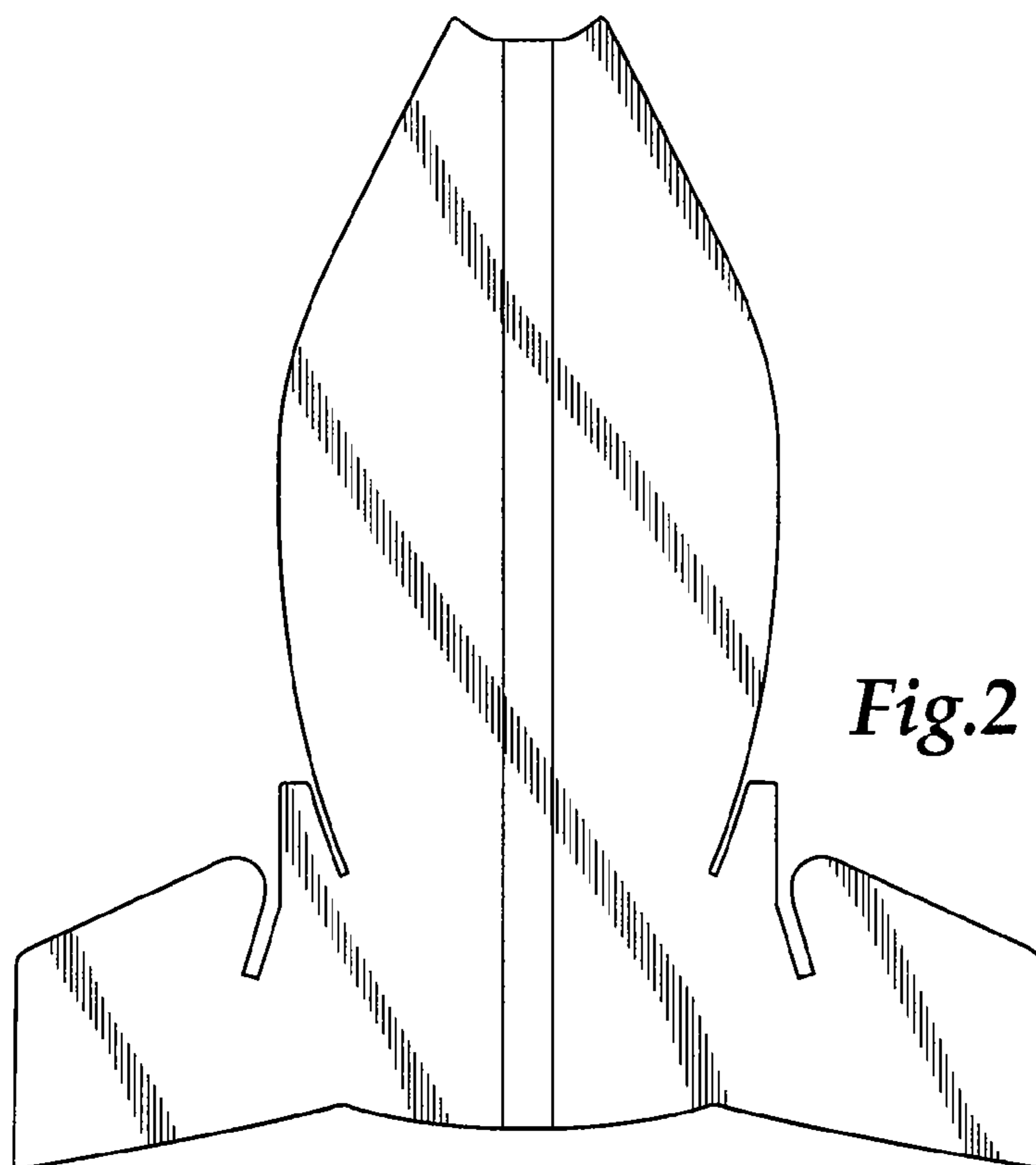
FIG. 8 is a top perspective view of the toy plane in accordance with my design comprising the first component and the second component assembled together.

**1 Claim, 4 Drawing Sheets**

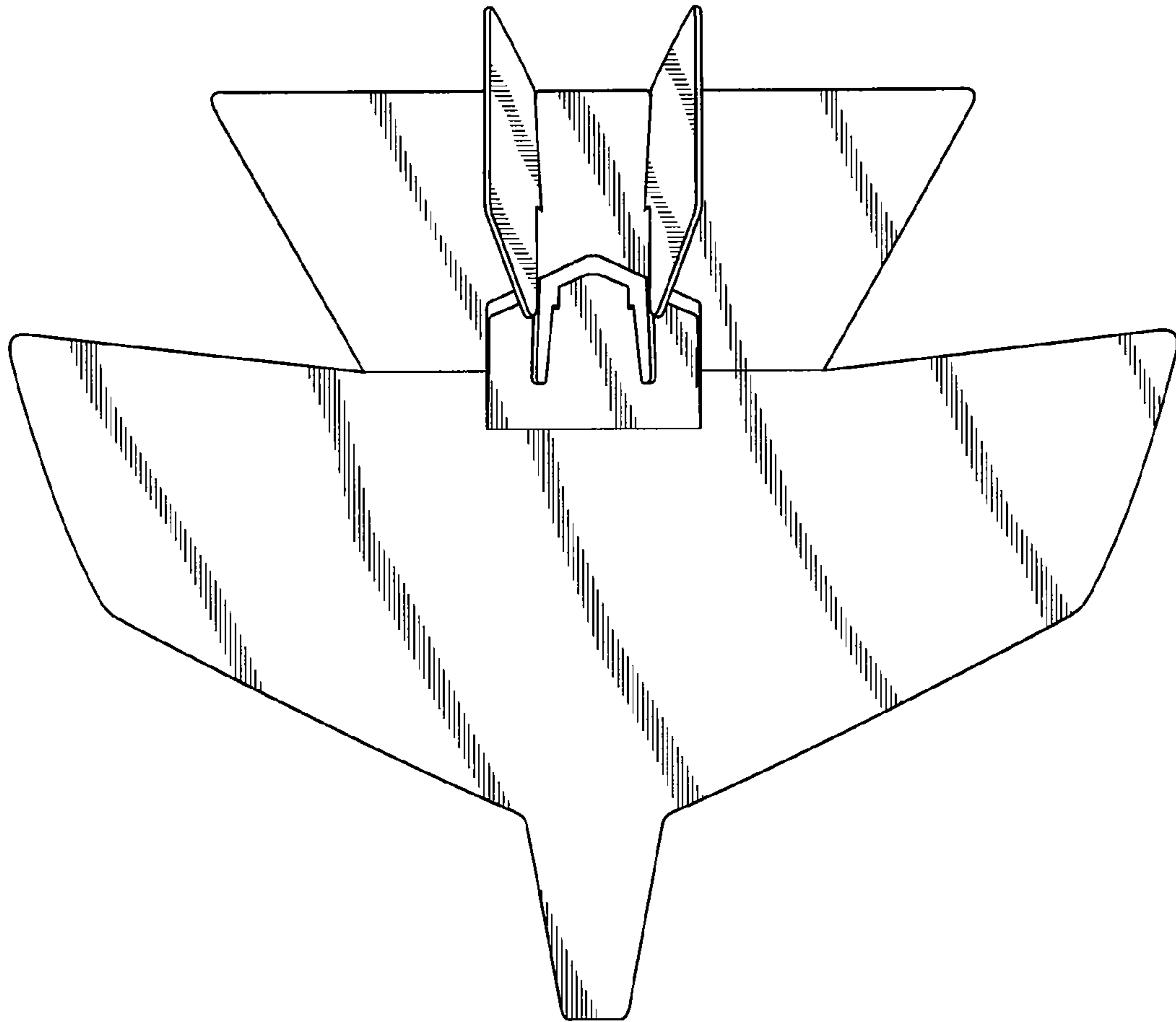




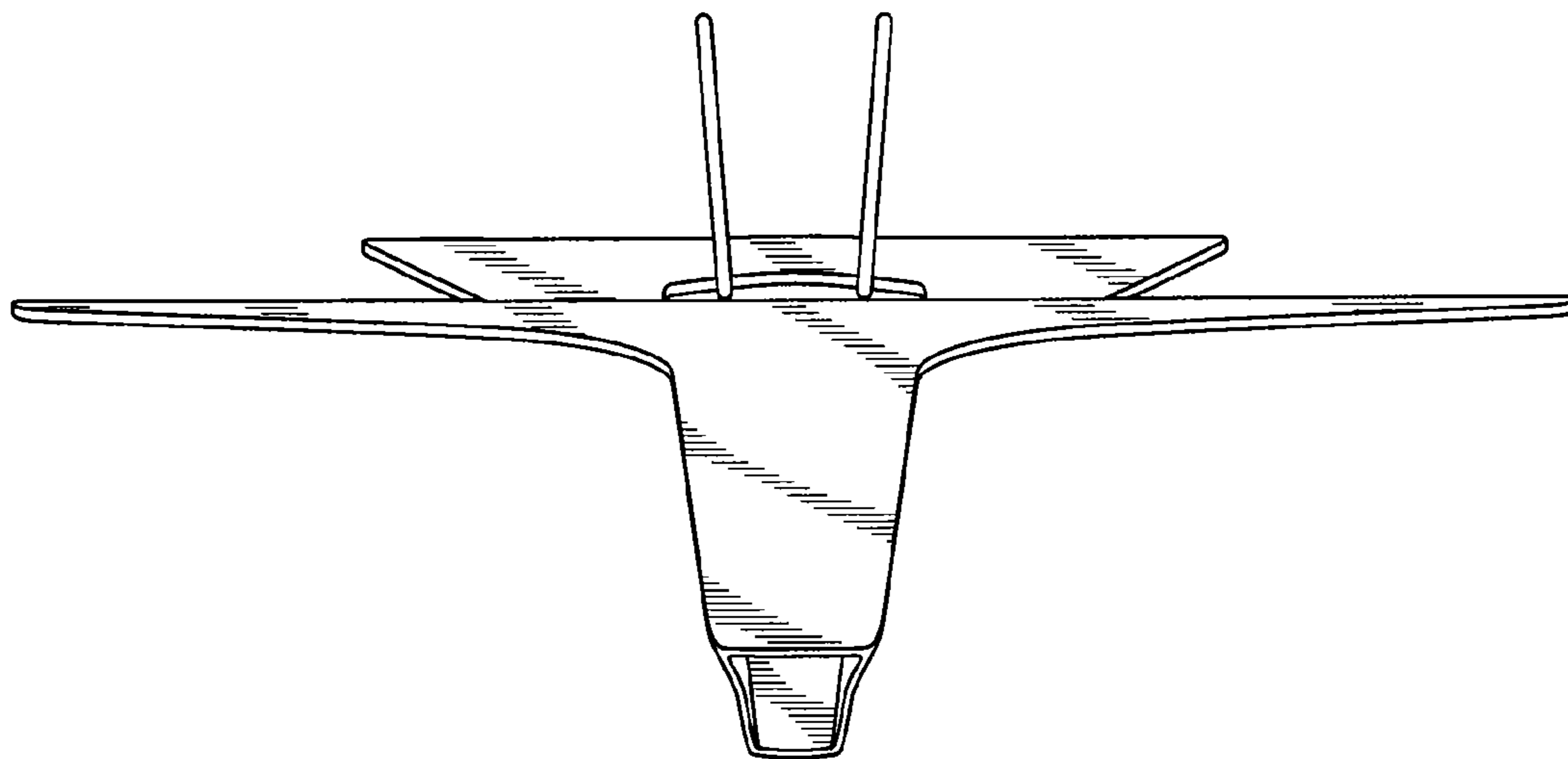
*Fig.1*



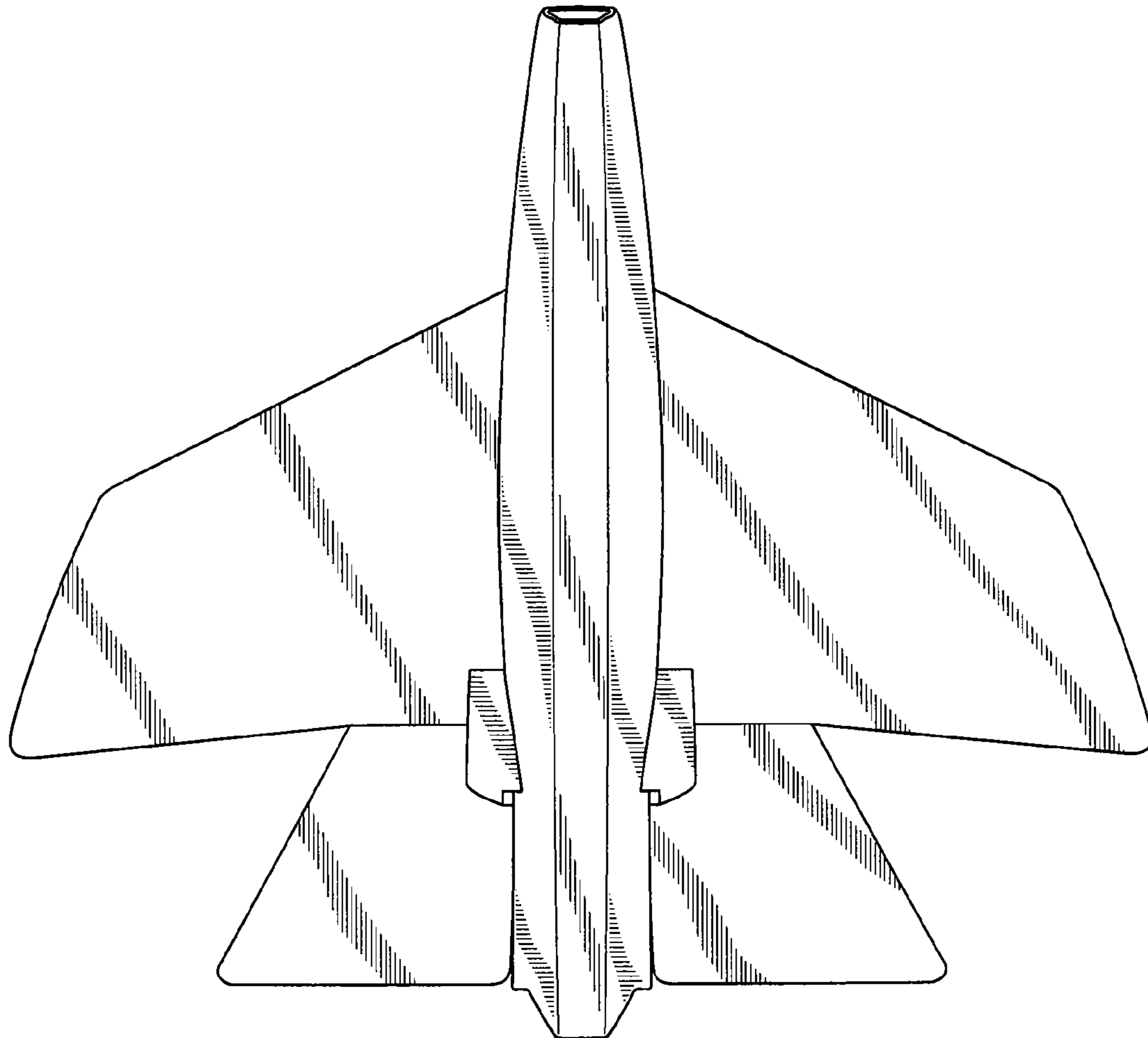
*Fig.2*



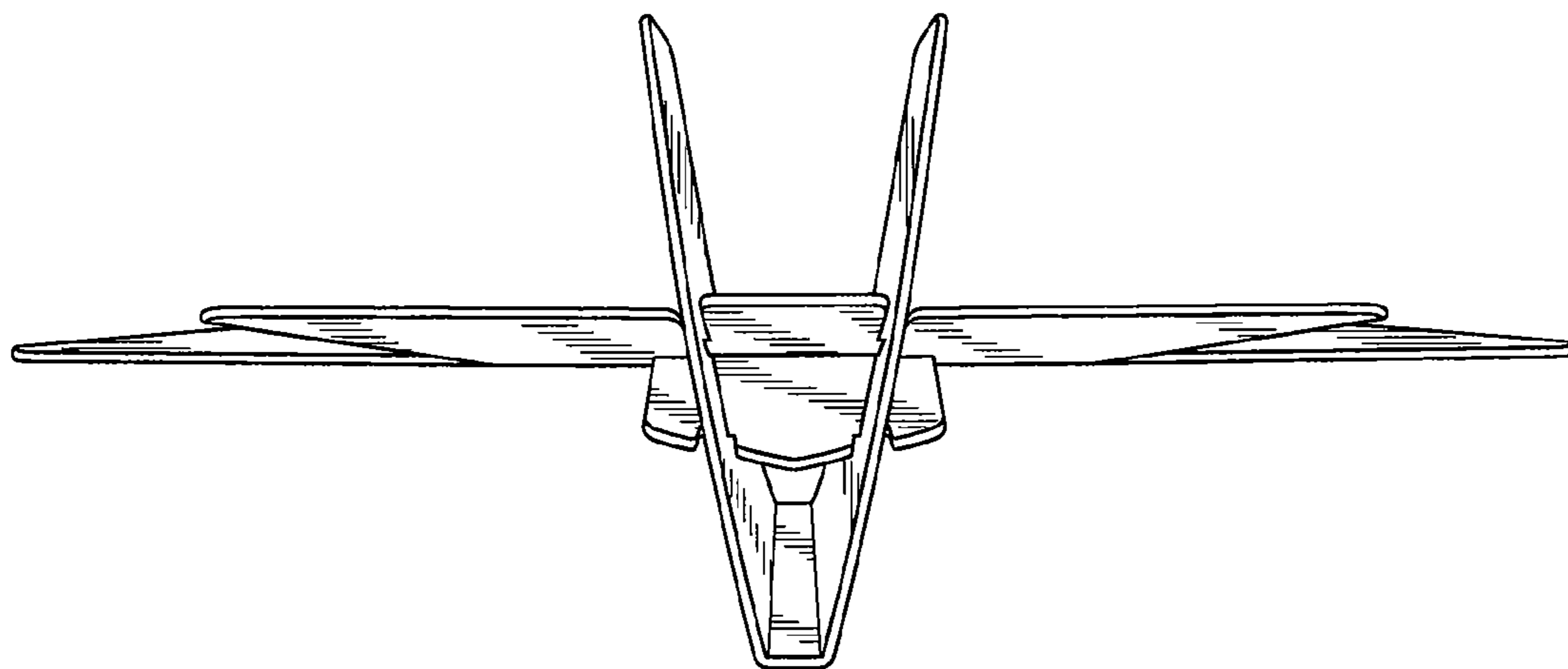
*Fig.3*



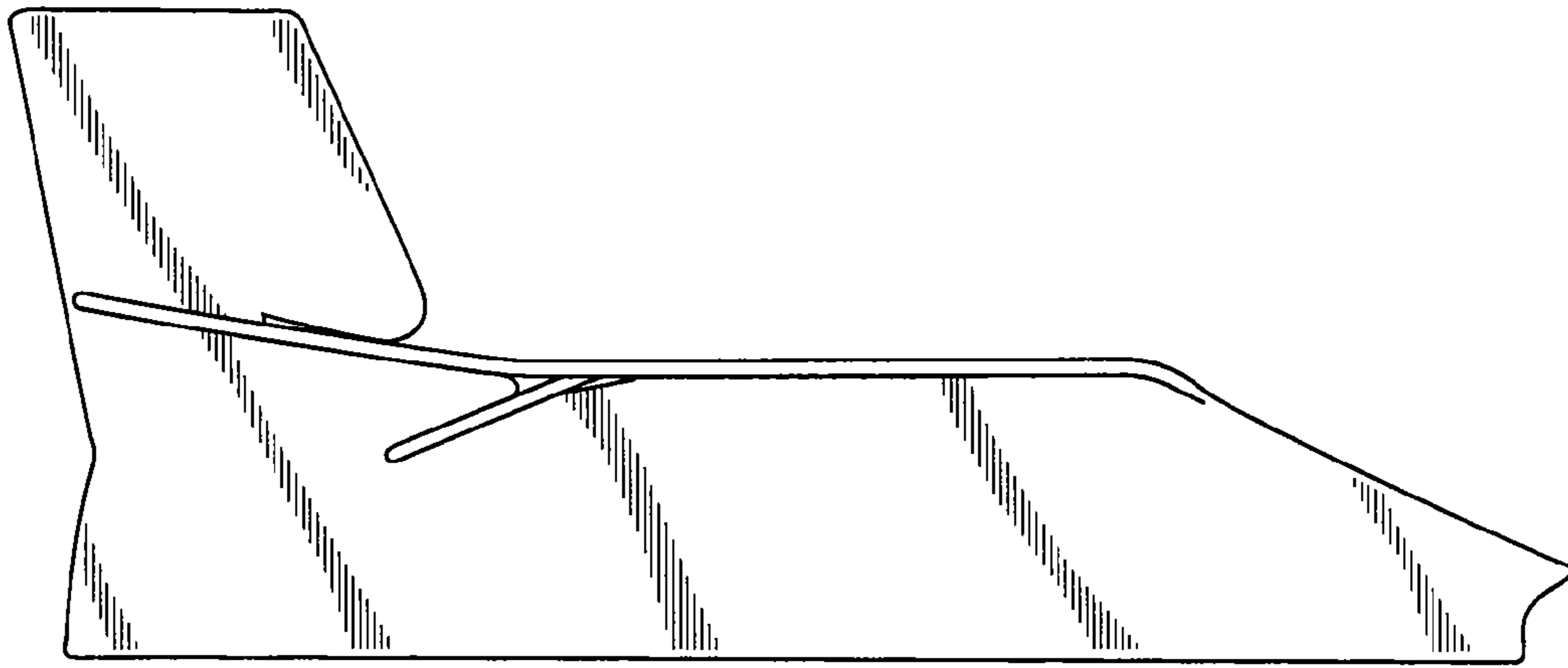
*Fig.4*



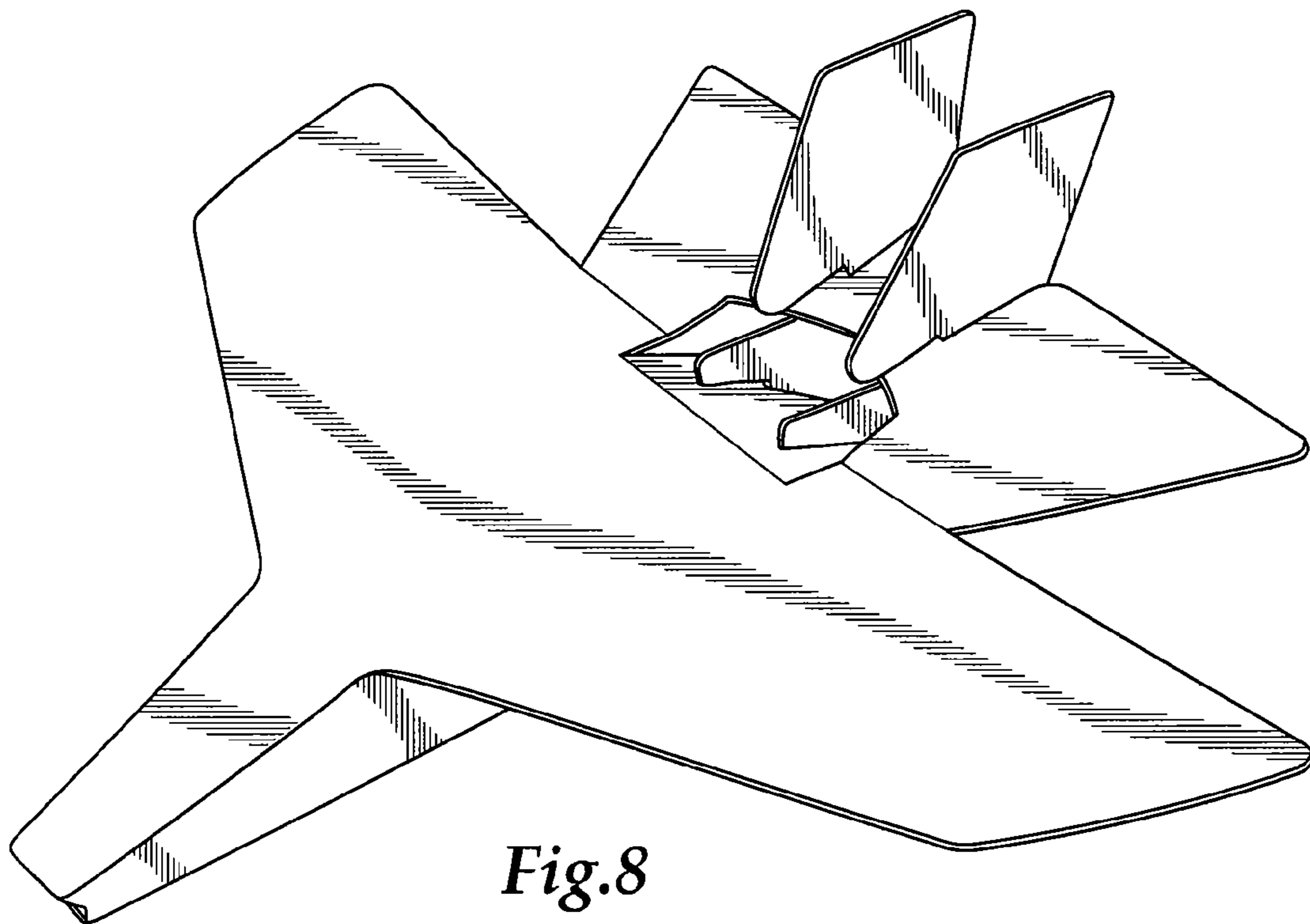
*Fig.5*



*Fig.6*



*Fig.7*



*Fig.8*