



US00D628242S

(12) **United States Design Patent**
Crowder

(10) **Patent No.:** **US D628,242 S**

(45) **Date of Patent:** **** Nov. 30, 2010**

(54) **GLARE SHIELD WITH STRAP FOR AN ELECTRONIC DEVICE**

Primary Examiner—Prabhakar Deshmukh

(76) **Inventor:** **Robert M. Crowder**, 144 Celery Ave.
North, Jacksonville, FL (US) 32220

(57) **CLAIM**

The ornamental design for a glare shield with strap for an electronic device, as shown and described.

(**) **Term:** **14 Years**

DESCRIPTION

(21) **Appl. No.:** **29/328,706**

FIG. 1 is an exploded front left side perspective view of a glare shield with strap for an electronic device showing my new design;

(22) **Filed:** **Dec. 1, 2008**

(51) **LOC (9) Cl.** **21-01**

FIG. 2 is a front left side perspective view thereof, with the strap wrapped around the glare shield;

(52) **U.S. Cl.** **D21/333; D14/496**

FIG. 3 is an exploded front right side perspective view thereof;

(58) **Field of Classification Search** D21/324, D21/328, 332, 333; D14/496, 432, 433, D14/439, 440, 217, 224; D12/191; 273/148 B; 463/1, 46, 47; 345/156; 359/601, 604, 609, 359/612; 296/97.1, 1.07; 348/834, 836, 348/838, 842; 224/929; 206/701

FIG. 4 is a front right side perspective view thereof, with the strap wrapped around the glare shield;

See application file for complete search history.

FIG. 5 is an exploded front elevational view of FIG. 1;

(56) **References Cited**

FIG. 6 is a front elevational view of FIG. 2;

U.S. PATENT DOCUMENTS

FIG. 7 is an exploded rear elevational view of FIG. 1;

D237,754 S * 11/1975 Ray, Jr. D14/440

FIG. 8 is a rear elevational view of FIG. 2;

4,444,465 A * 4/1984 Giulie et al. 359/601

FIG. 9 is an exploded left side elevational view of FIG. 1;

4,784,468 A * 11/1988 Tierney 359/601

FIG. 10 is a left side elevational view of FIG. 2;

5,243,463 A * 9/1993 Waintroob 359/601

FIG. 11 is an exploded right side elevational view of FIG. 1;

D348,295 S * 6/1994 Artman D12/191

FIG. 12 is a right side elevational view of FIG. 2;

5,905,546 A * 5/1999 Giulie et al. 348/842

FIG. 13 is an exploded plan view of FIG. 1; and,

6,065,841 A * 5/2000 Heller et al. 359/609

FIG. 14 is a bottom plan view of FIG. 2.

6,089,705 A 7/2000 Ertz

The broken lines environmental showing of an electronic device is for illustrative purpose only, and forms no part of the claimed design.

6,144,418 A * 11/2000 Kappel et al. 348/834

The characteristic feature of the design resides in the glare shield being wrapped around the bottom and both sides with the strap.

6,302,546 B1 * 10/2001 Kordiak 359/608

7,083,291 B1 8/2006 Yong et al.

7,134,758 B1 * 11/2006 Baker 359/601

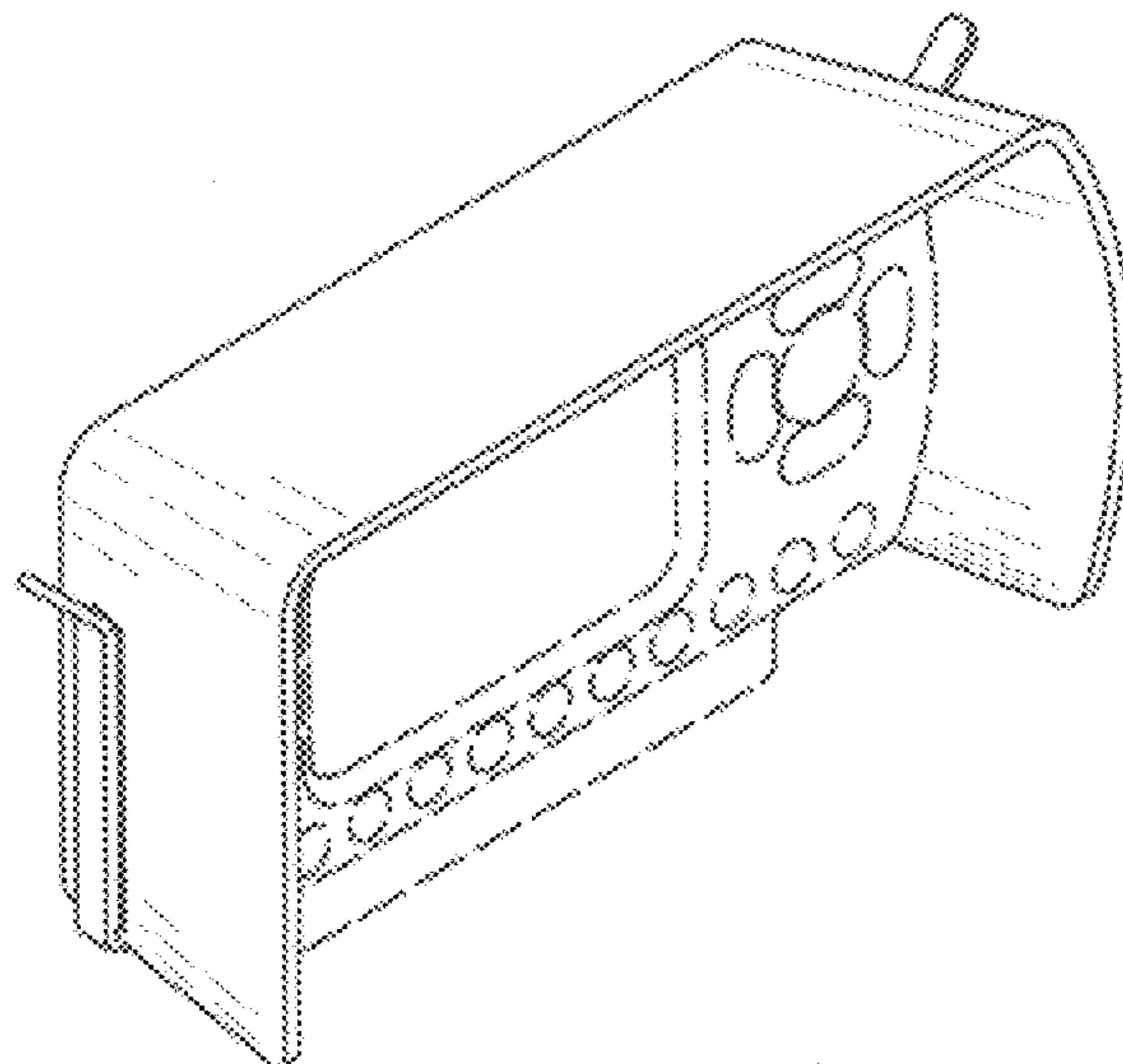
2009/0219621 A1 * 9/2009 Perkins, II 359/601

2009/0268300 A1 * 10/2009 Dai et al. 359/601

2009/0279196 A1 * 11/2009 Werjefelt 359/894

* cited by examiner

1 Claim, 7 Drawing Sheets



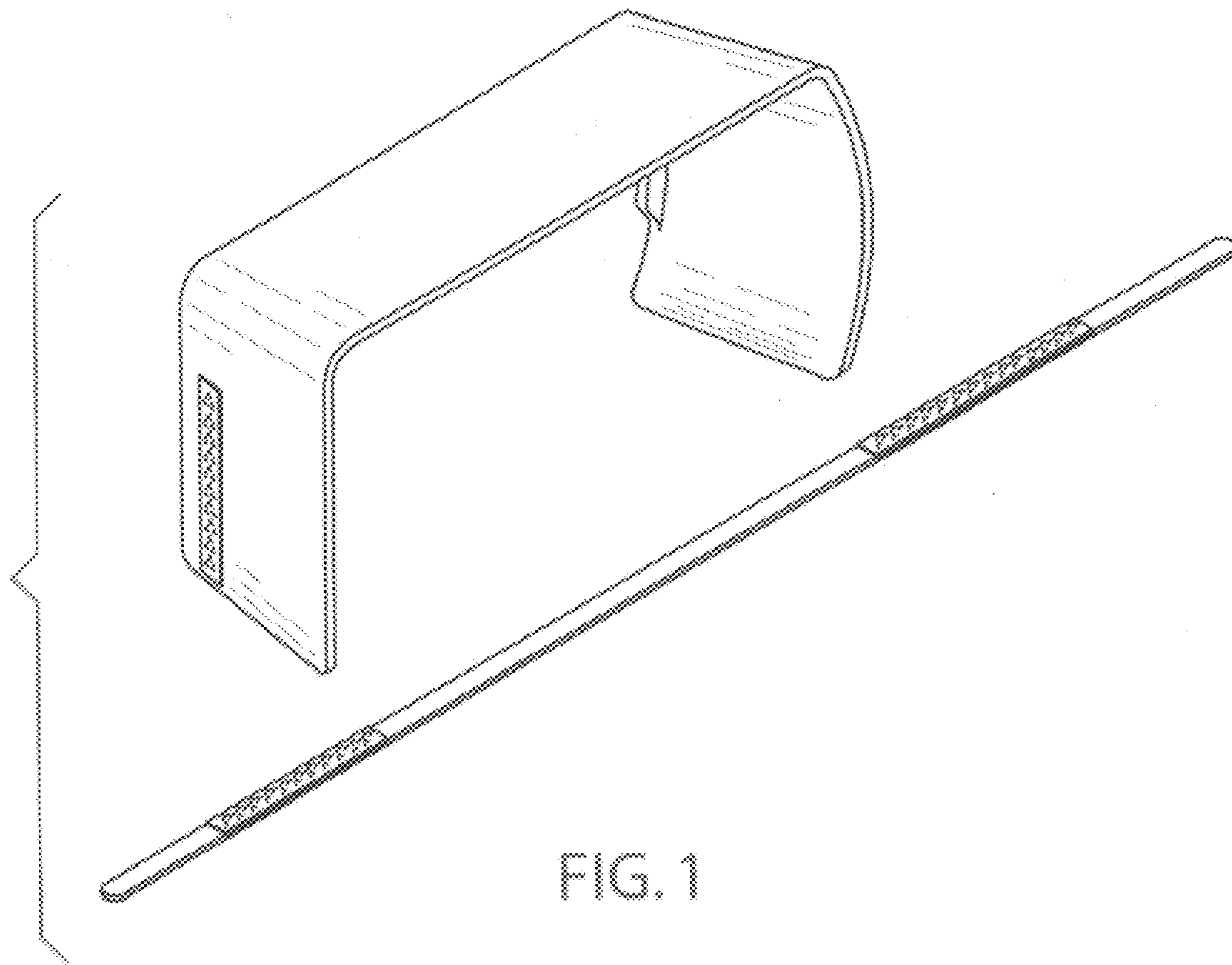


FIG. 1

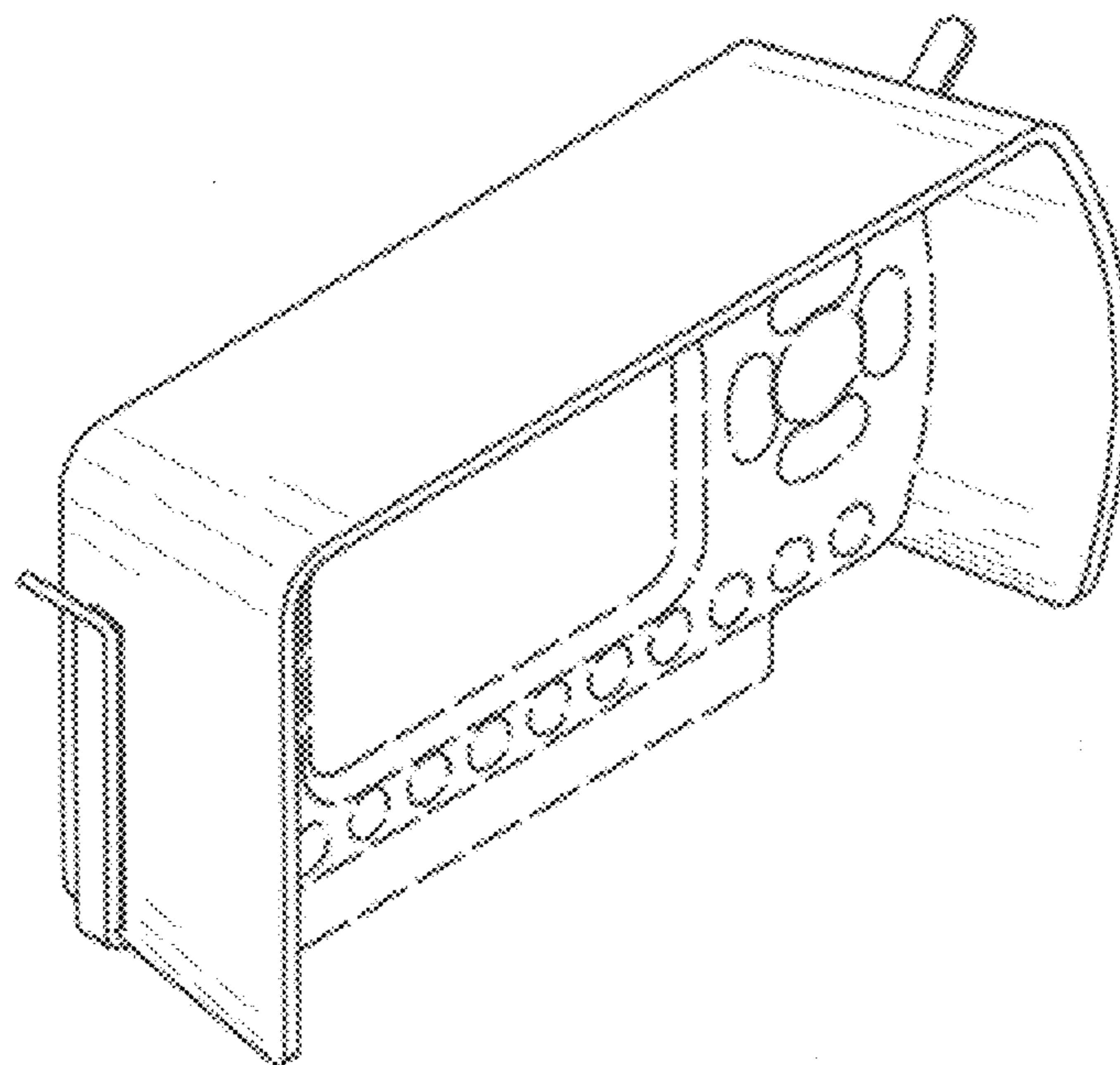


FIG. 2

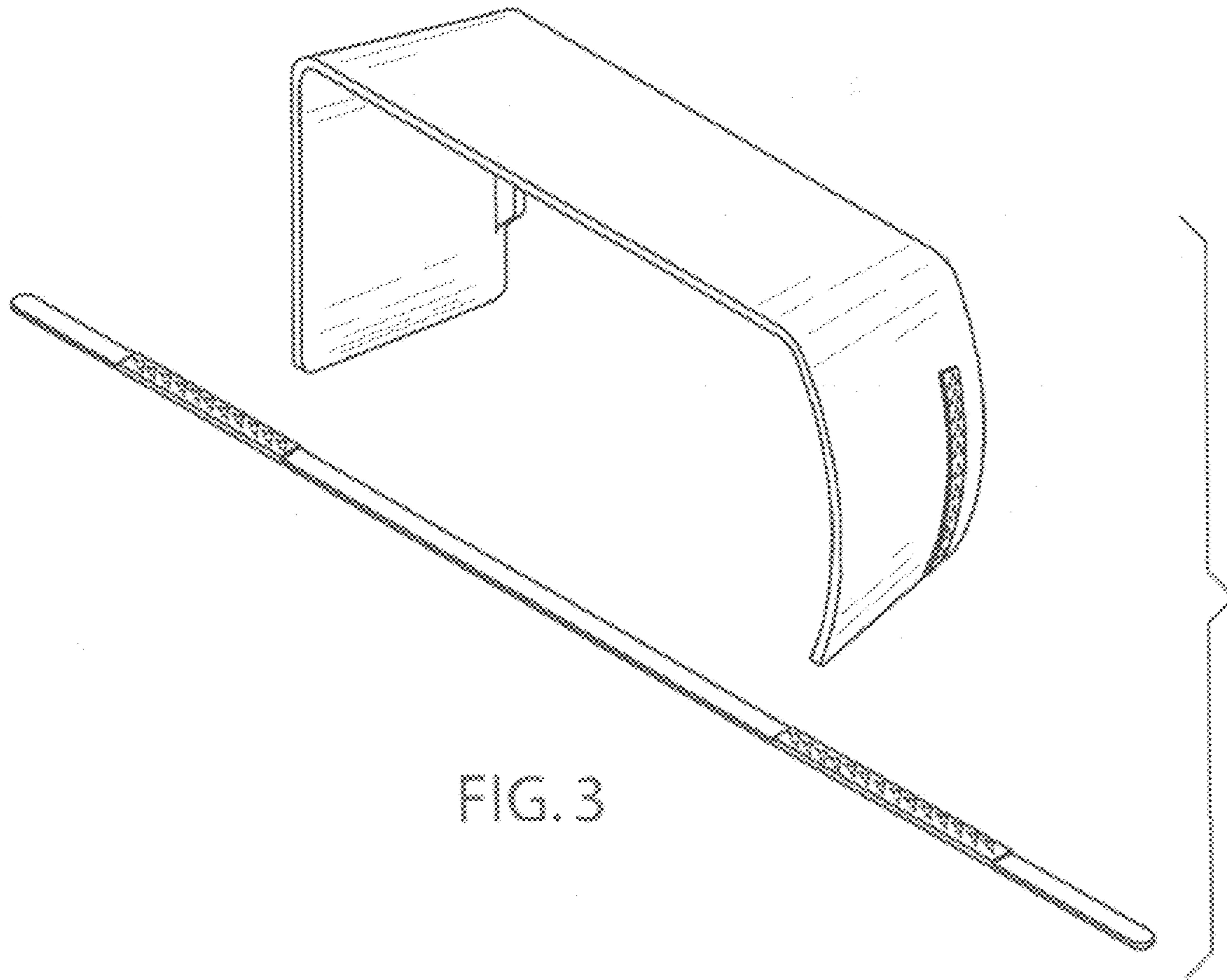


FIG. 3

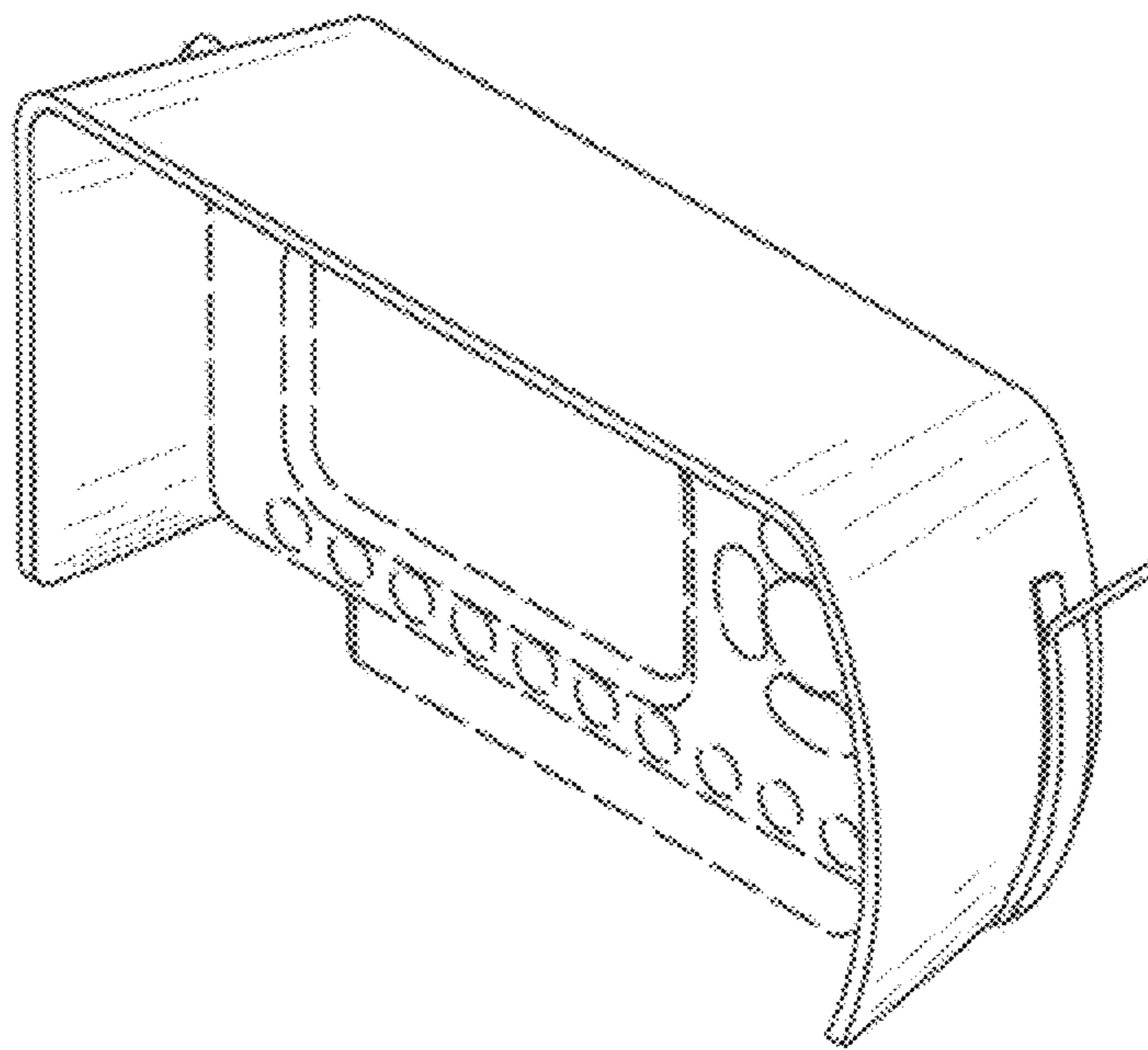


FIG. 4

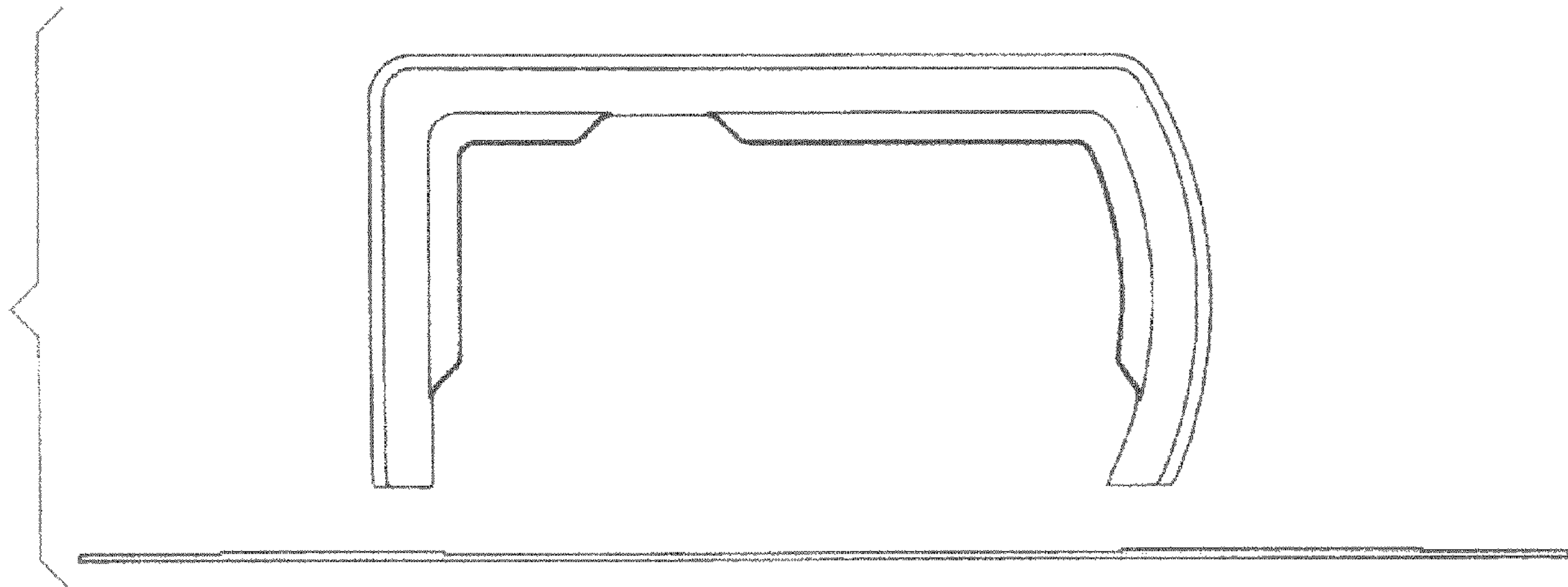


FIG. 5

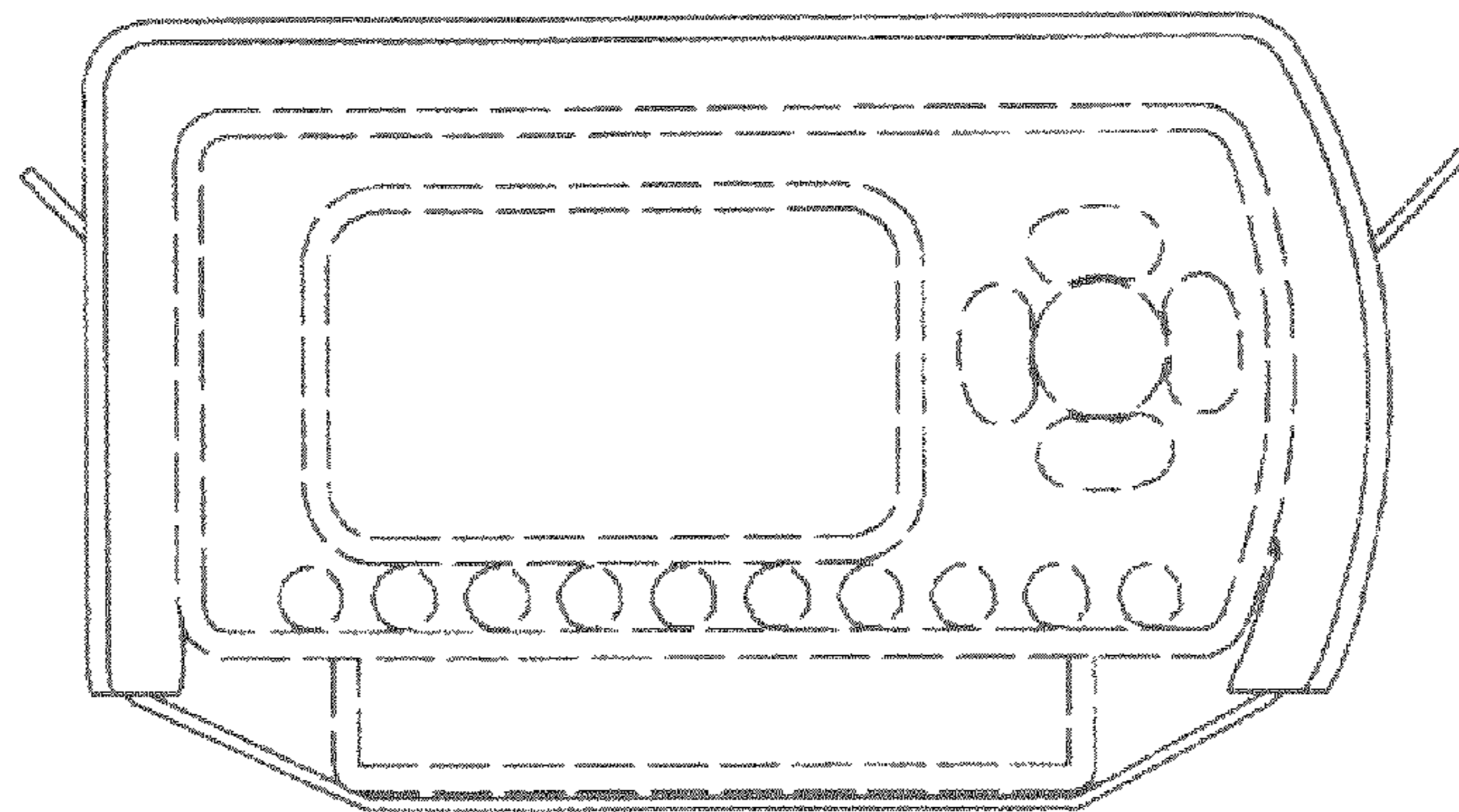


FIG. 6

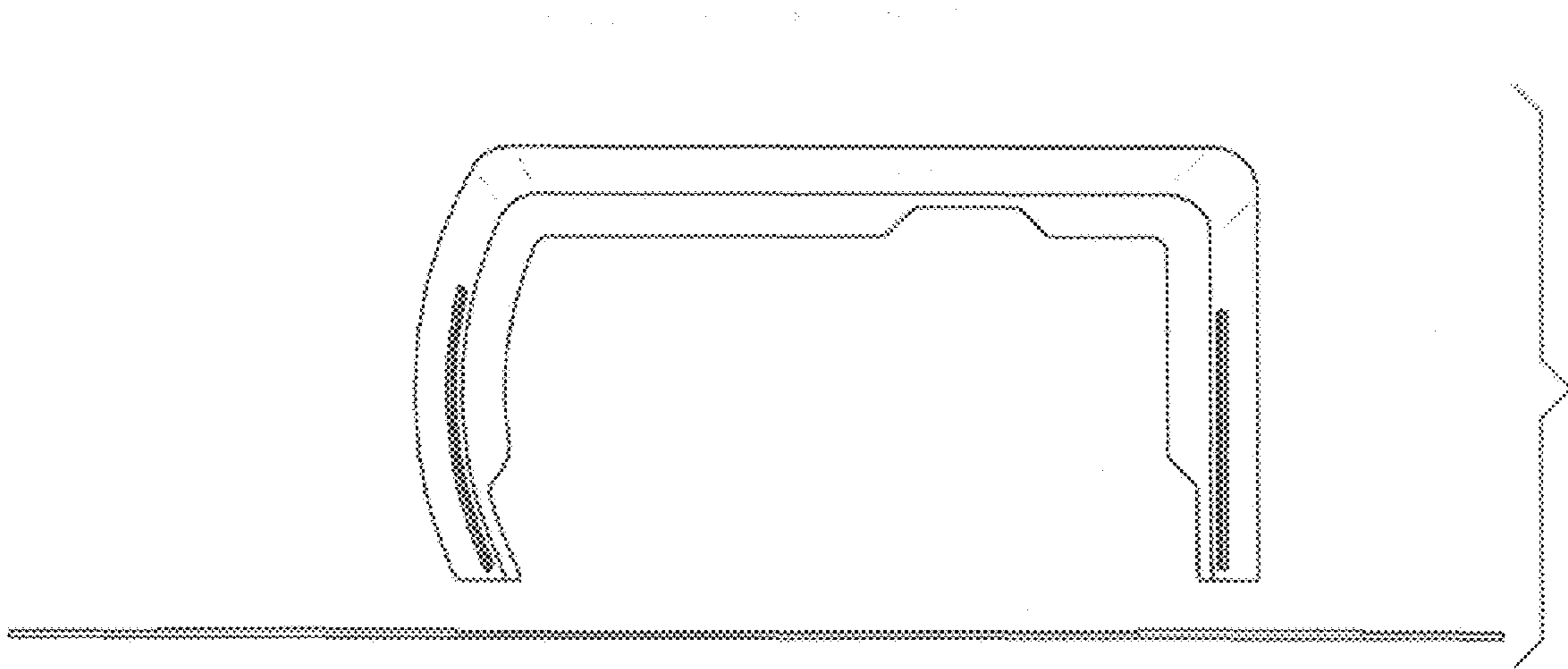


FIG. 7

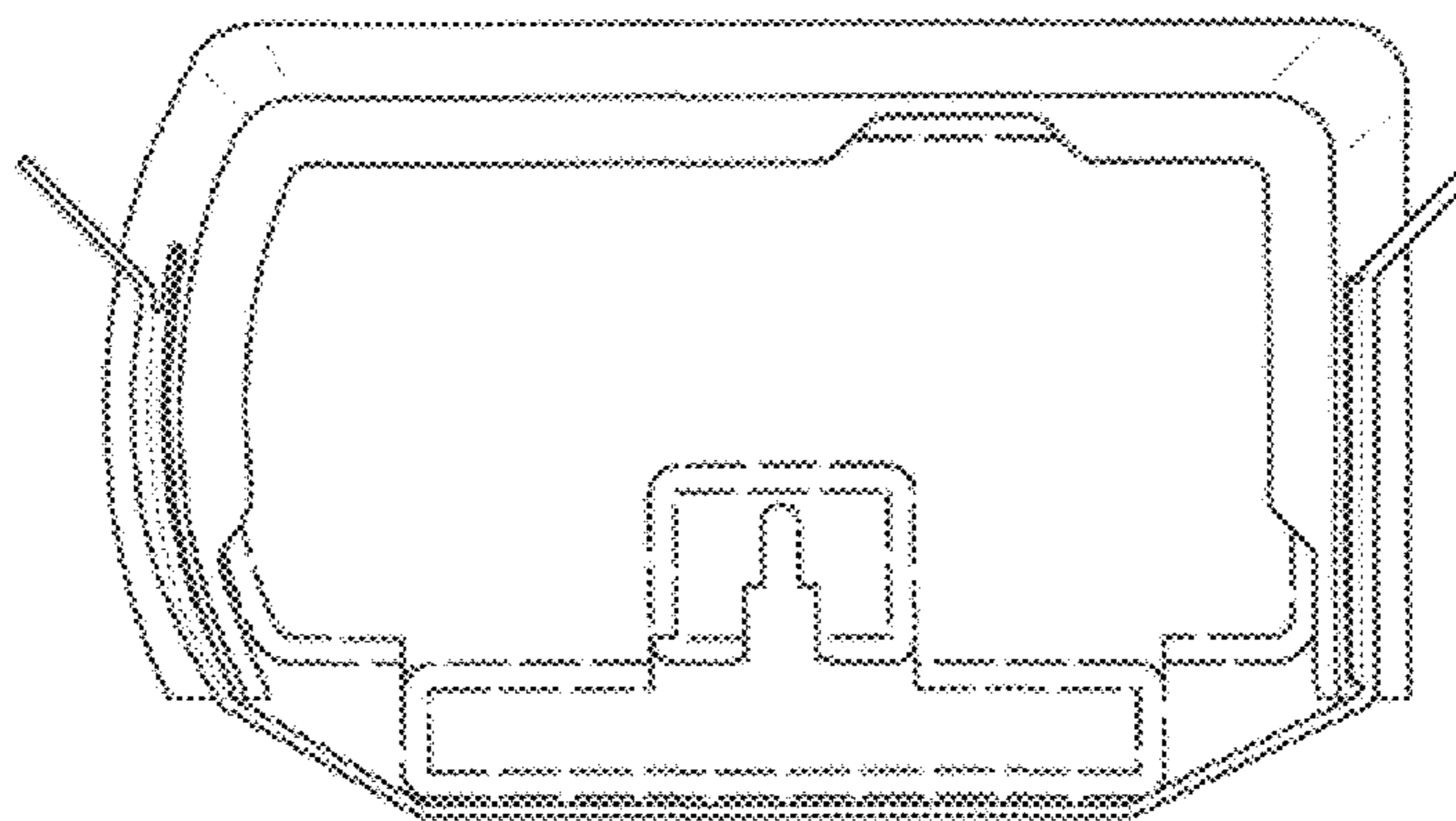


FIG. 8

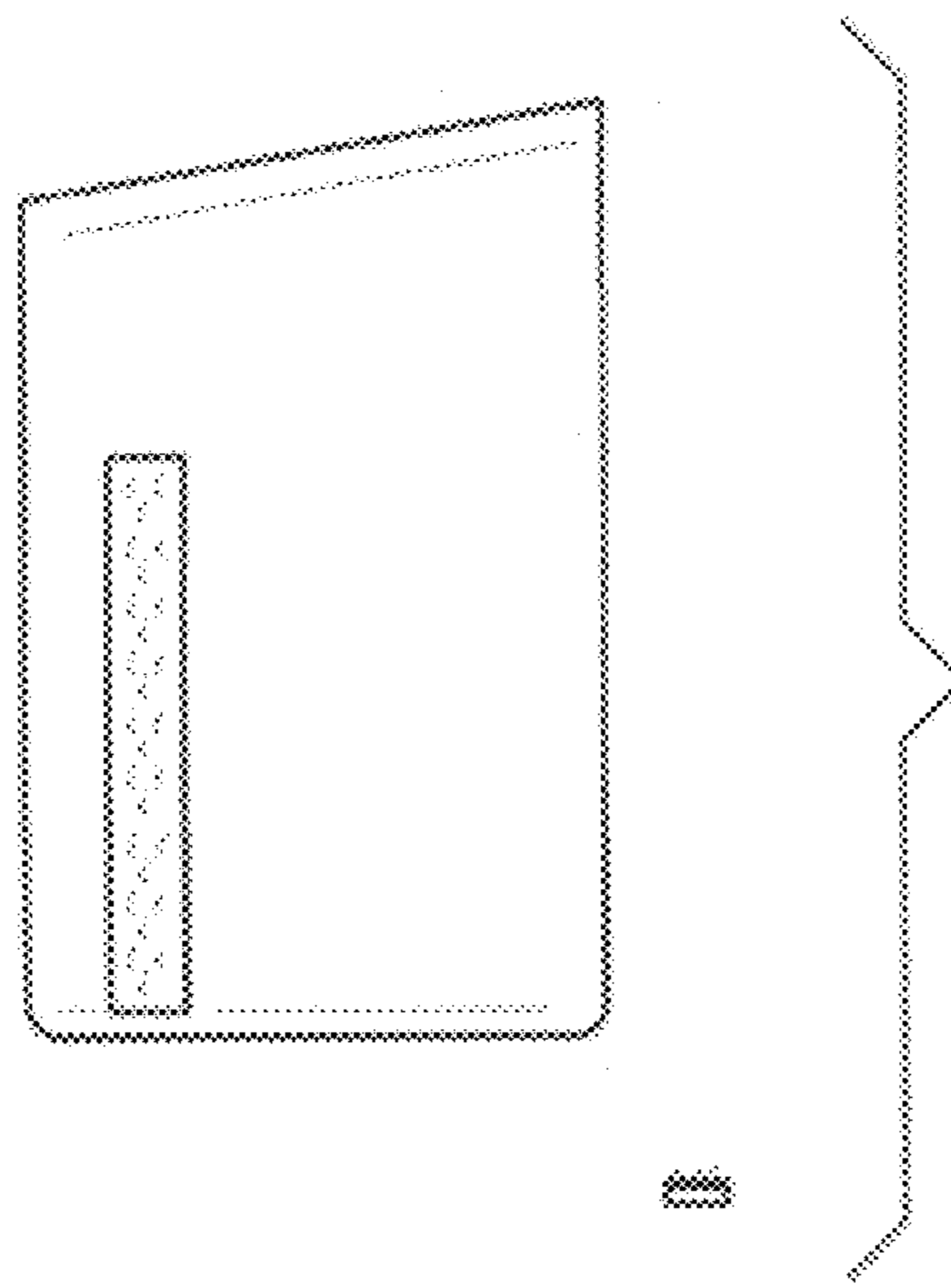


FIG. 9

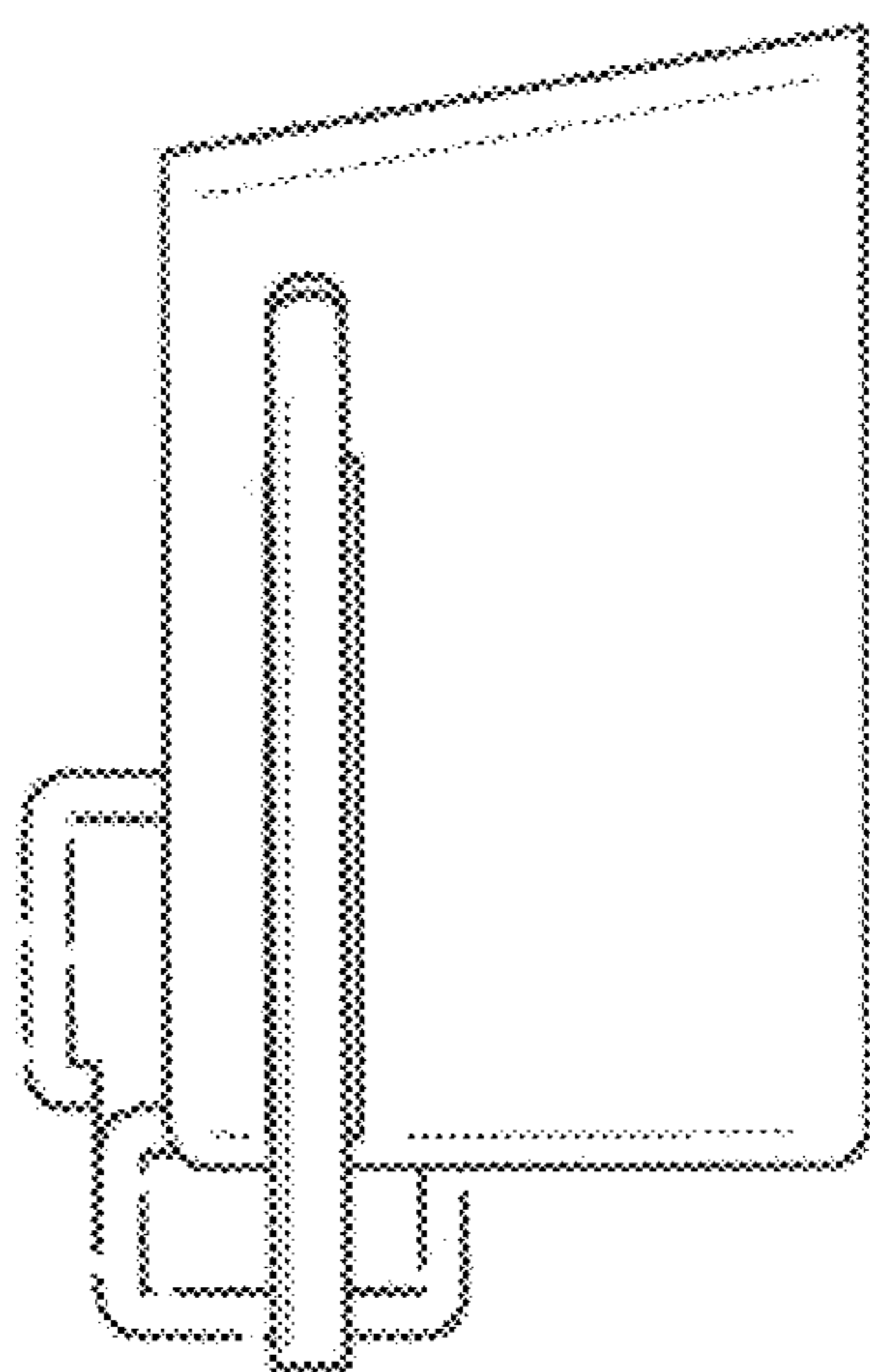


FIG. 10

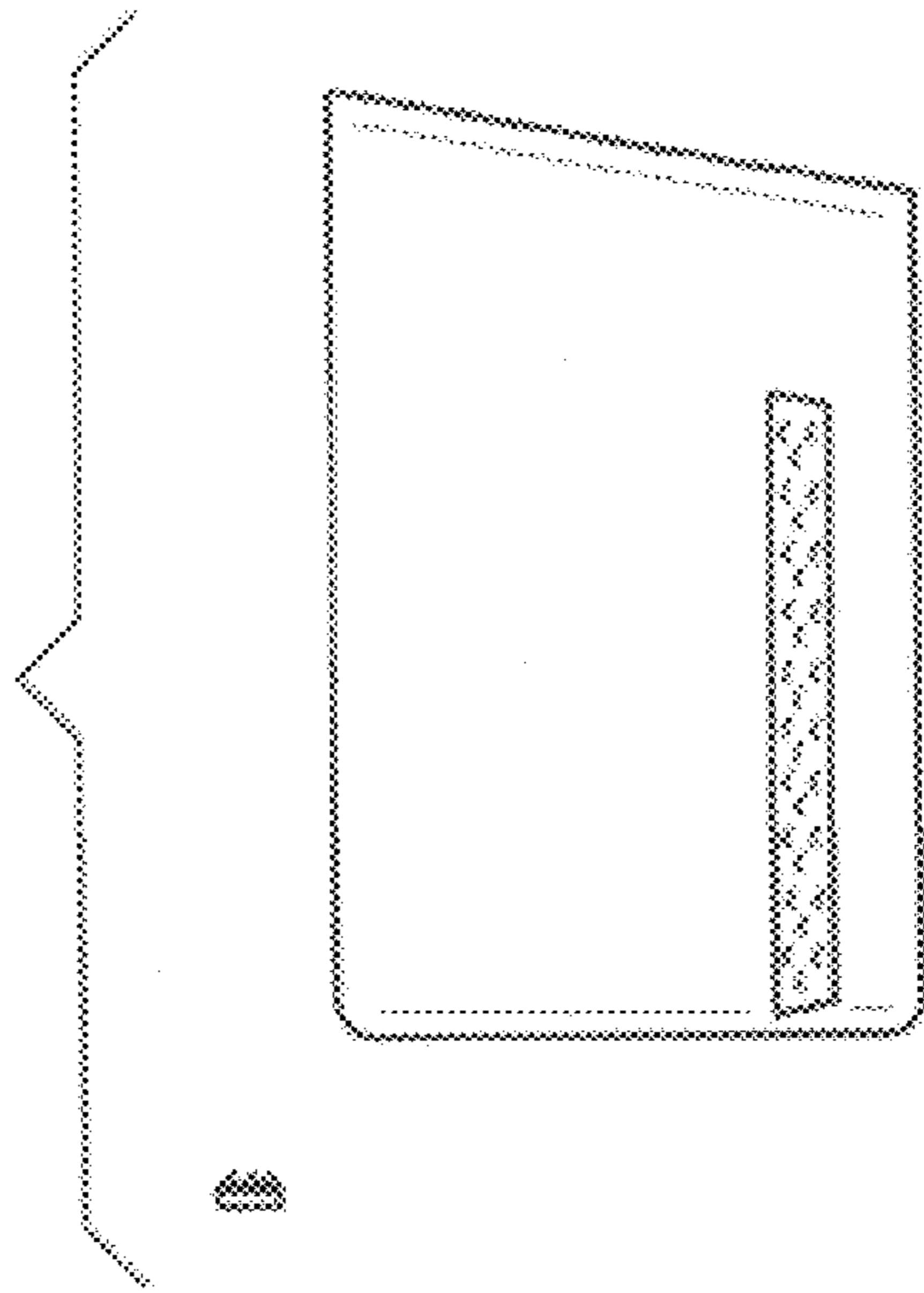


FIG. 11

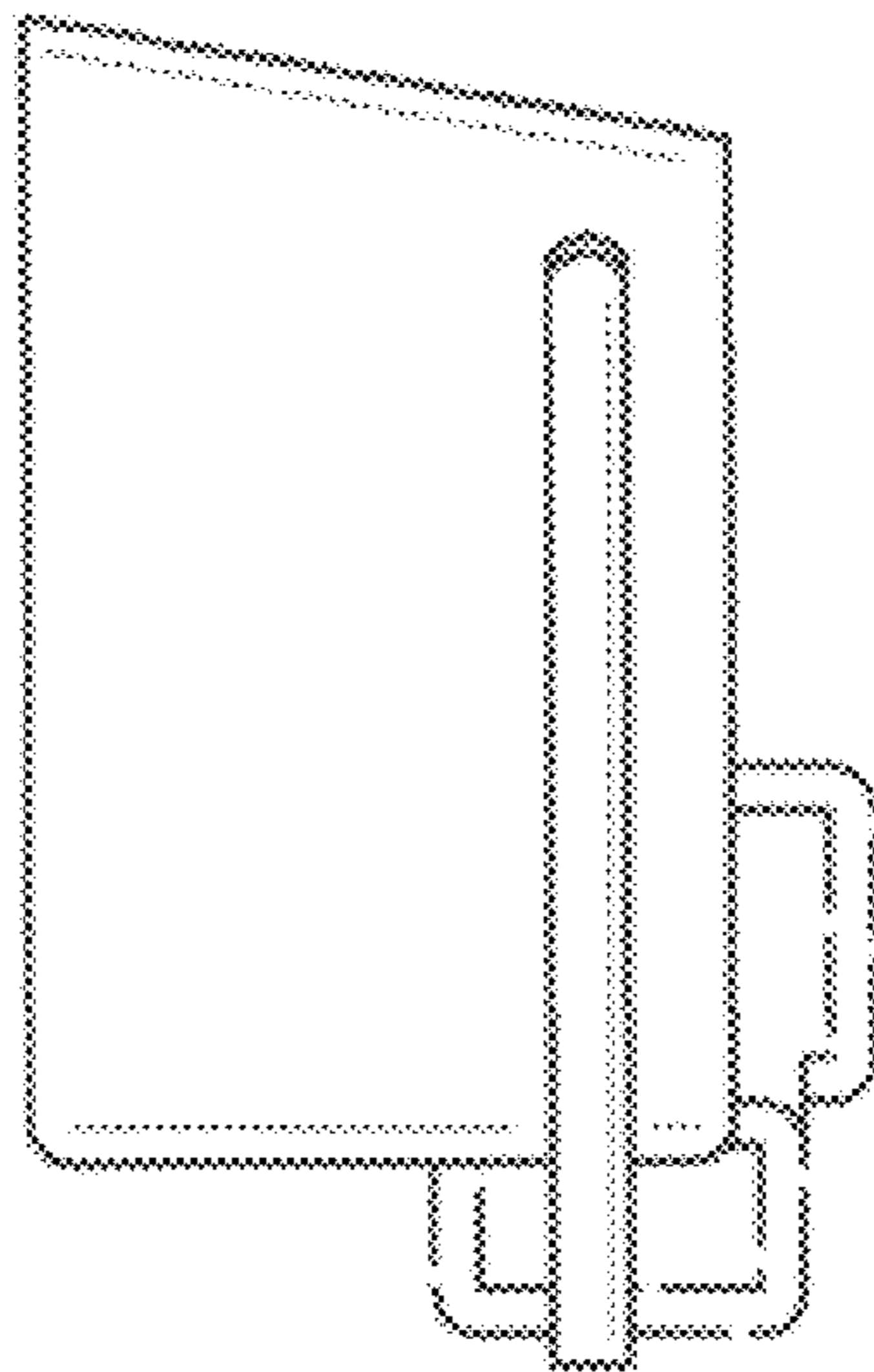


FIG. 12

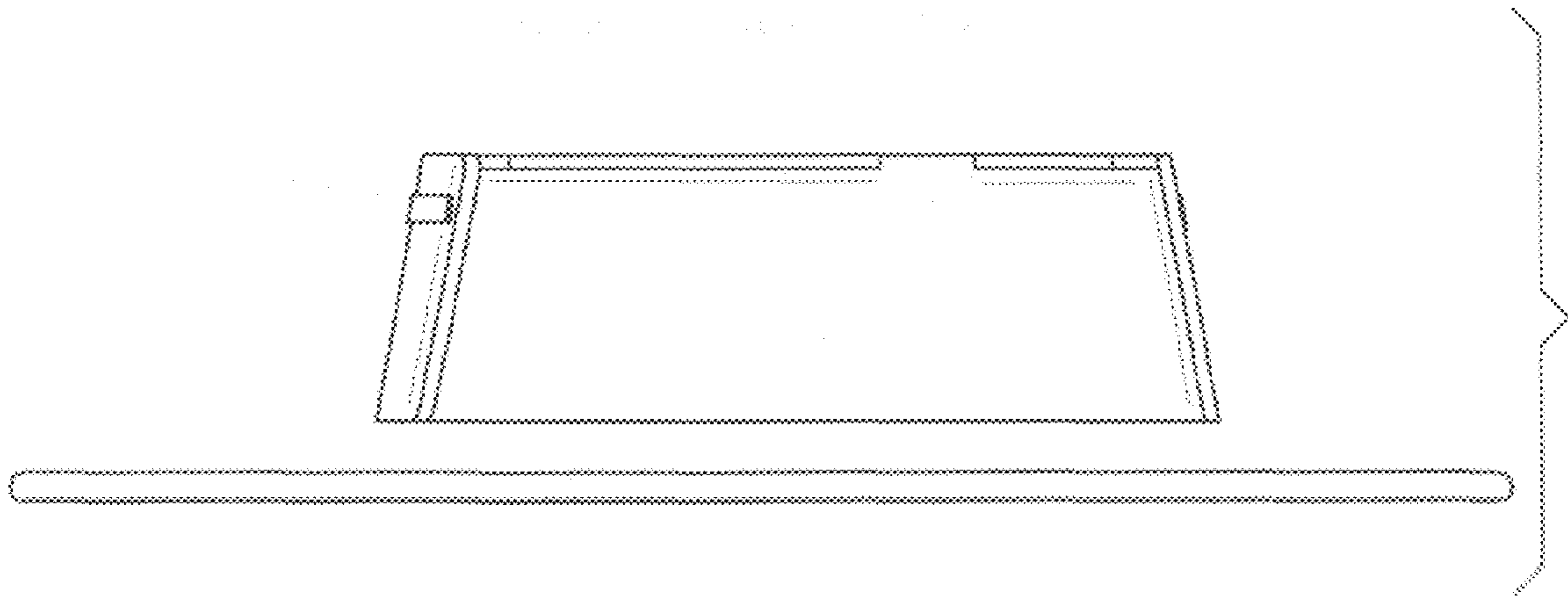


FIG. 13

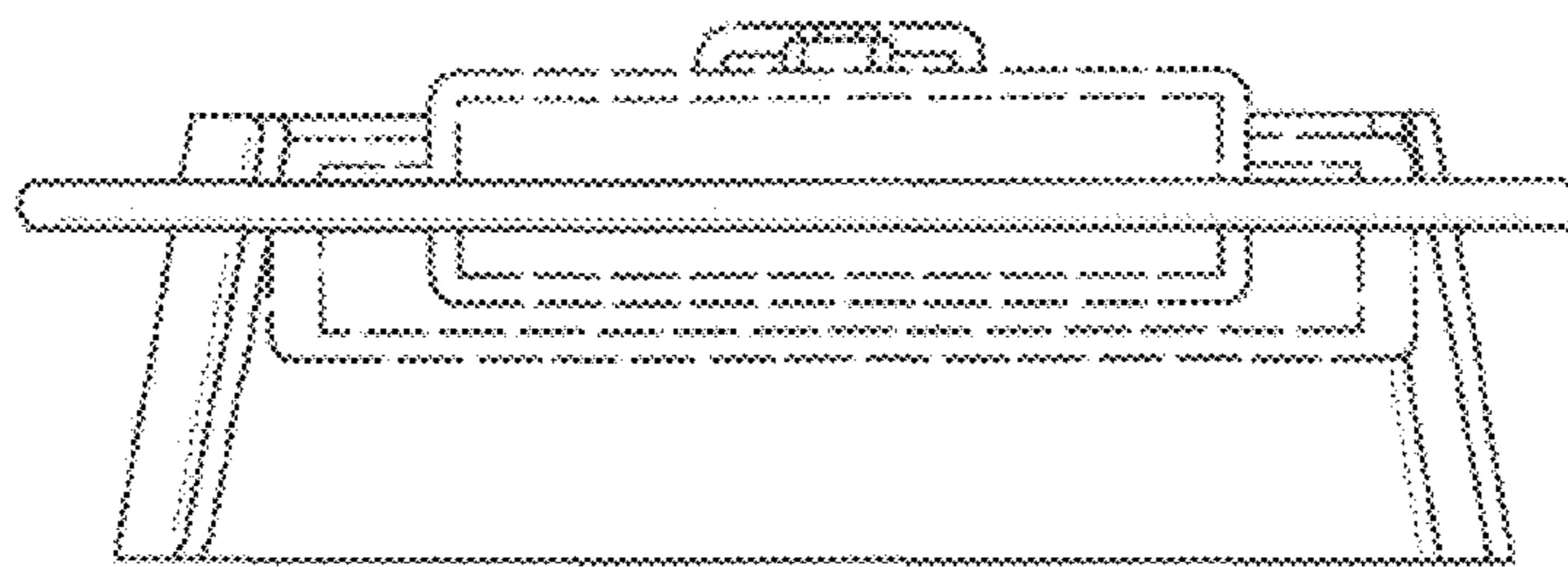


FIG. 14