



US00D628241S

(12) **United States Design Patent**
Stukenkemper

(10) **Patent No.:** **US D628,241 S**

(45) **Date of Patent:** **** Nov. 30, 2010**

(54) **WRITING INSTRUMENT**

(75) Inventor: **Heinrich Stukenkemper,**
Castrop-Rauxel (DE)

(73) Assignee: **Faber-Castell Aktiengesellschaft,** Stein
(DE)

(**) Term: **14 Years**

(21) Appl. No.: **29/342,364**

(22) Filed: **Aug. 24, 2009**

(51) **LOC (9) Cl.** **19-06**

(52) **U.S. Cl.** **D19/48**

(58) **Field of Classification Search** D19/35,
D19/36, 41-51, 53-57; 24/11 R, 11 F, 11 P;
401/52, 99, 100, 104-109, 192, 195, 196
See application file for complete search history.

(56) **References Cited**

U.S. PATENT DOCUMENTS

D81,254 S *	5/1930	Parker	D19/48
D152,847 S *	2/1949	Weiss	D8/104
D208,598 S *	9/1967	Cornwall	D19/49
D223,307 S *	4/1972	Nockolds	D19/51
D259,792 S *	7/1981	Itoh et al.	D19/51
D323,529 S *	1/1992	Rousseau	D19/51
5,143,465 A *	9/1992	Hou	401/195
D330,217 S *	10/1992	Booker	D19/48
D354,309 S *	1/1995	Lin	D19/36
D362,269 S *	9/1995	Hollington	D19/51
D363,739 S *	10/1995	Petrillo	D19/48
D367,076 S *	2/1996	Boix Gacia	D19/51
D382,016 S *	8/1997	Takahashi	D19/51
D391,153 S *	2/1998	Poisson et al.	D19/48
D391,606 S *	3/1998	Compte	D19/51

(Continued)

OTHER PUBLICATIONS

Faber-Castell Sales Folder, May 2009.

(Continued)

Primary Examiner—Elizabeth A Albert

(74) *Attorney, Agent, or Firm*—Calfee, Halter & Griswold
LLP

(57) **CLAIM**

I claim the ornamental design for a writing instrument, as shown and described.

DESCRIPTION

FIG. 1 is a front/left/top perspective view of the writing instrument, wherein the front/right/top perspective view would be a mirror image thereof;

FIG. 2 is a left side view thereof, wherein the right side view would be a mirror image thereof;

FIG. 3 is a top view thereof;

FIG. 4 is a rear/right/top perspective view thereof, wherein the rear/left/top perspective view would be a mirror image thereof;

FIG. 5 is a rear/right/top perspective view thereof (taken at a different angle than FIG. 4), wherein the rear/left/top perspective view would be a mirror image thereof, and

FIG. 6 is a top/rear perspective view thereof;

FIG. 7 is a top/front perspective view thereof.

FIG. 8 is an exploded front/left/top perspective view thereof, wherein the front/right/top perspective view would be a mirror image thereof;

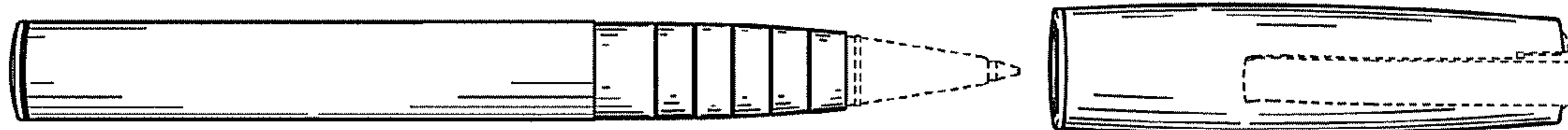
FIG. 9 is an exploded left side view thereof, wherein, the right side view would be a mirror image thereof;

FIG. 10 is an exploded top view thereof; and,

FIG. 11 is an exploded rear/right/top perspective view thereof, wherein the rear/left/top perspective view would be a mirror image thereof.

The broken lines showing the clip and top portion, the writing tip housing and the inside of the cap in FIGS. 1-11 show portions that form no part of the claimed design.

1 Claim, 5 Drawing Sheets



US D628,241 S

Page 2

U.S. PATENT DOCUMENTS

D409,656 S *	5/1999	Melnick	D19/36	D548,787 S *	8/2007	Slemp	D19/48
D410,029 S *	5/1999	Melnick	D19/36	D562,892 S *	2/2008	Qiu et al.	D19/48
D421,626 S *	3/2000	Brock	D19/55	D593,602 S *	6/2009	Katami et al.	D19/36
D422,024 S *	3/2000	Andrews et al.	D19/50	D610,617 S *	2/2010	Zhang	D19/50
D430,208 S *	8/2000	Veillon	D19/50	D610,619 S *	2/2010	Fang	D19/54
D450,087 S *	11/2001	Luigi	D19/43	D611,539 S *	3/2010	Zhang	D19/51
D458,305 S *	6/2002	Iwase et al.	D19/43	D623,225 S *	9/2010	Ryan	D19/48
D459,393 S *	6/2002	Verhaeghe	D19/43	D624,592 *	9/2010	Stukenkemper	D19/53
D500,792 S *	1/2005	Bain et al.	D19/48					
D516,625 S *	3/2006	Bertheaux	D19/51					
D547,375 S *	7/2007	Gerules	D19/51					

OTHER PUBLICATIONS

Paperworld, Jan. 2009.

* cited by examiner

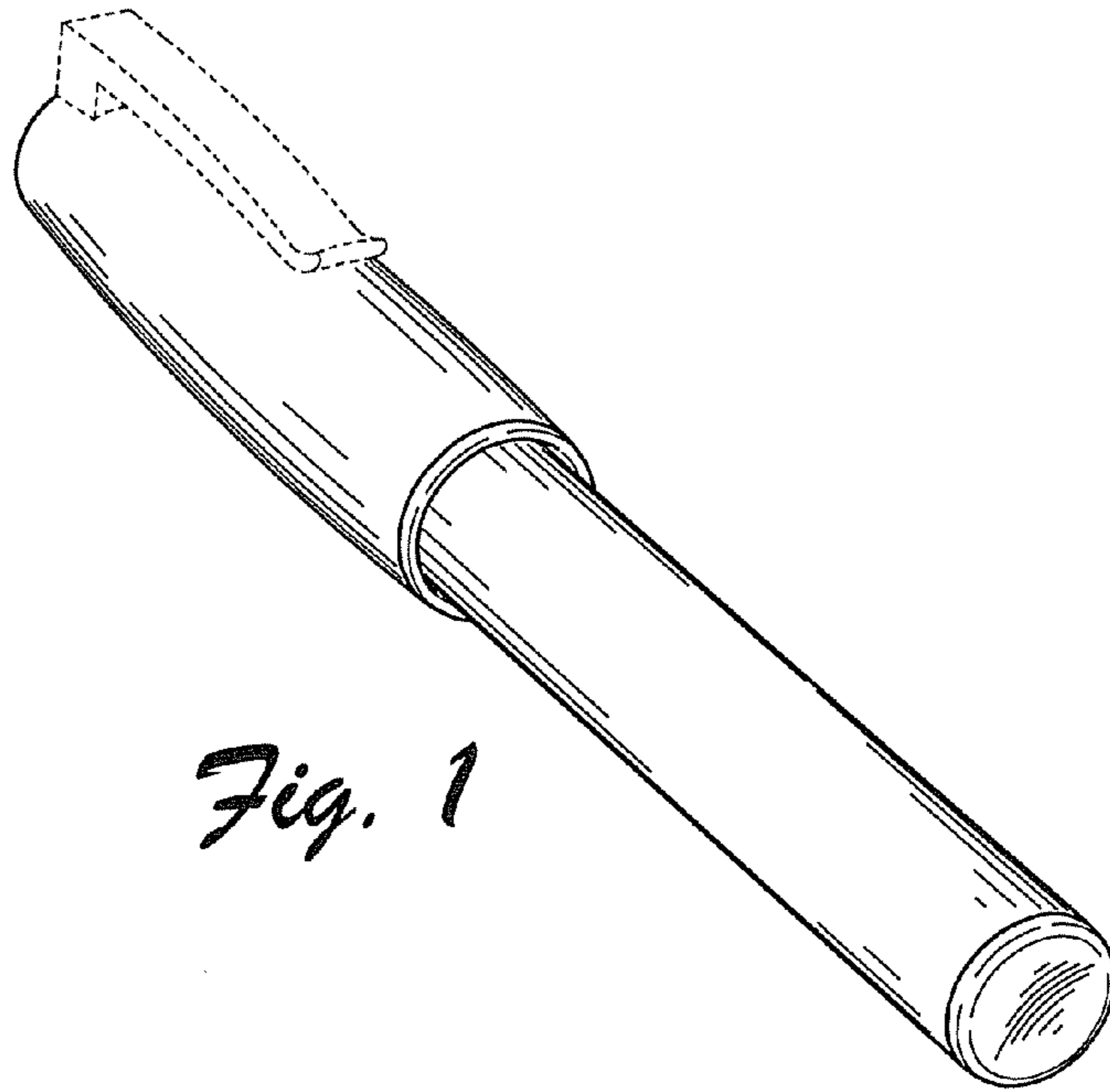


Fig. 1

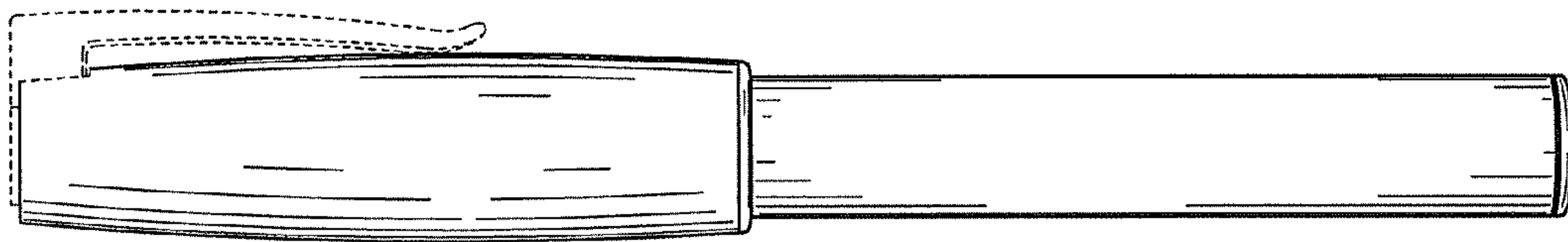


Fig. 2

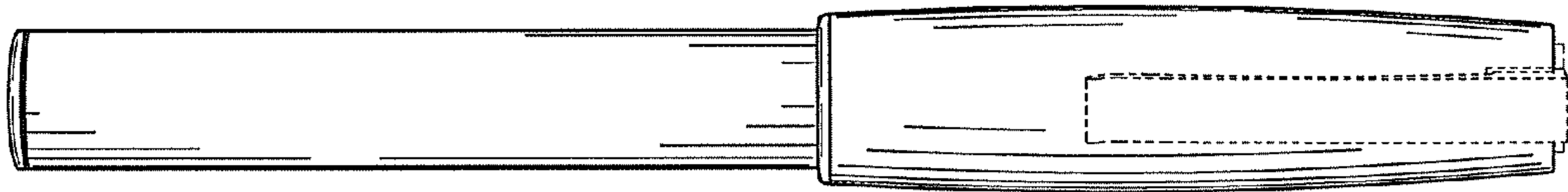


Fig. 3

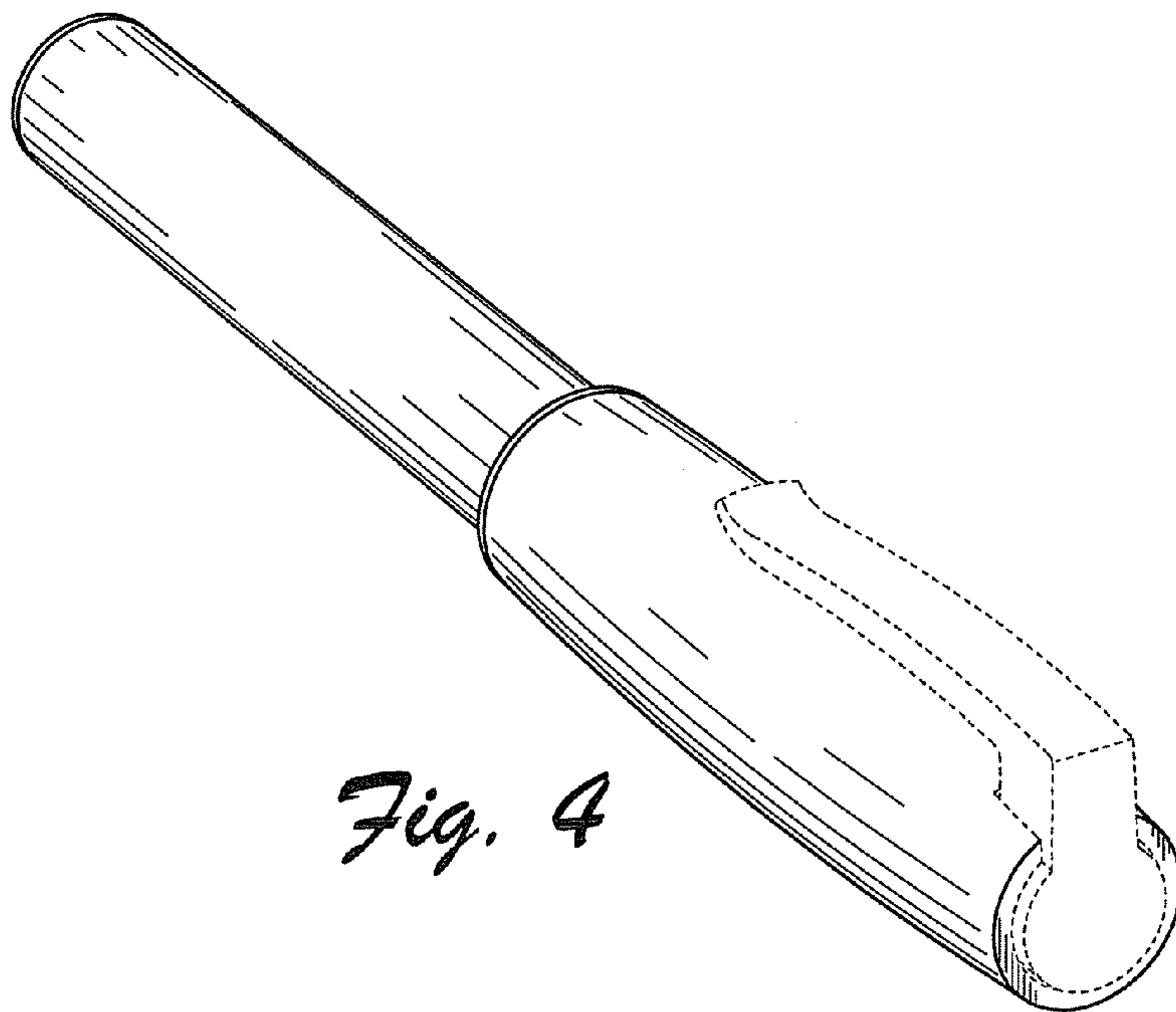


Fig. 4

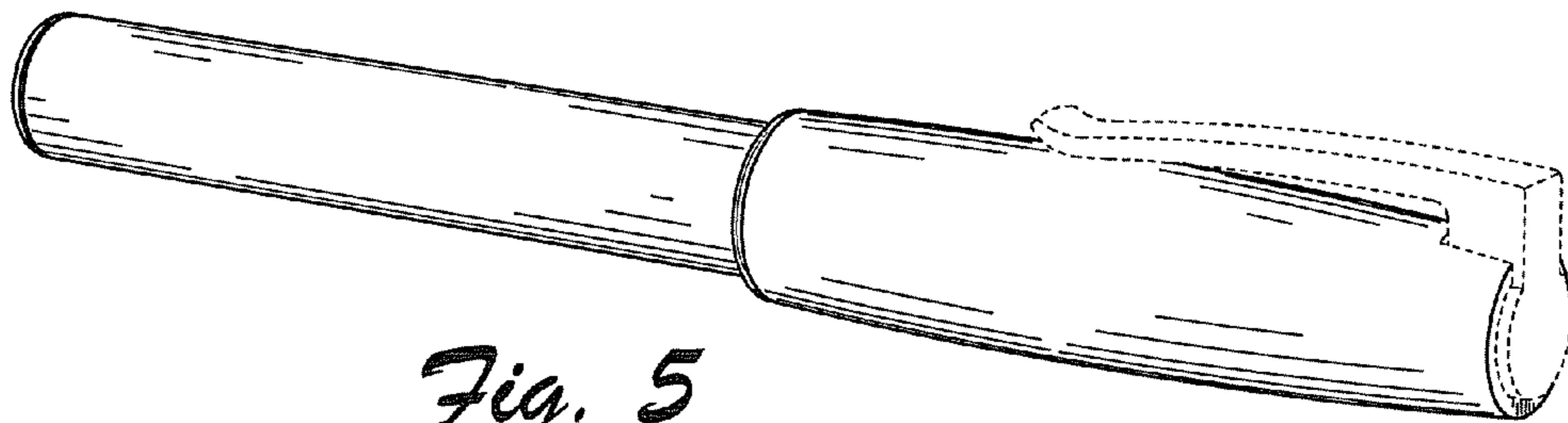


Fig. 5

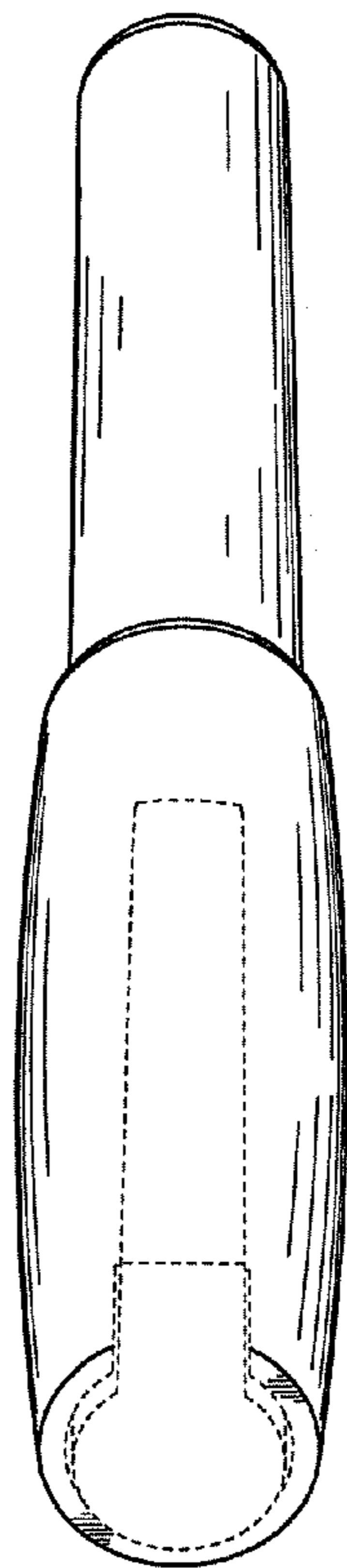


Fig. 6

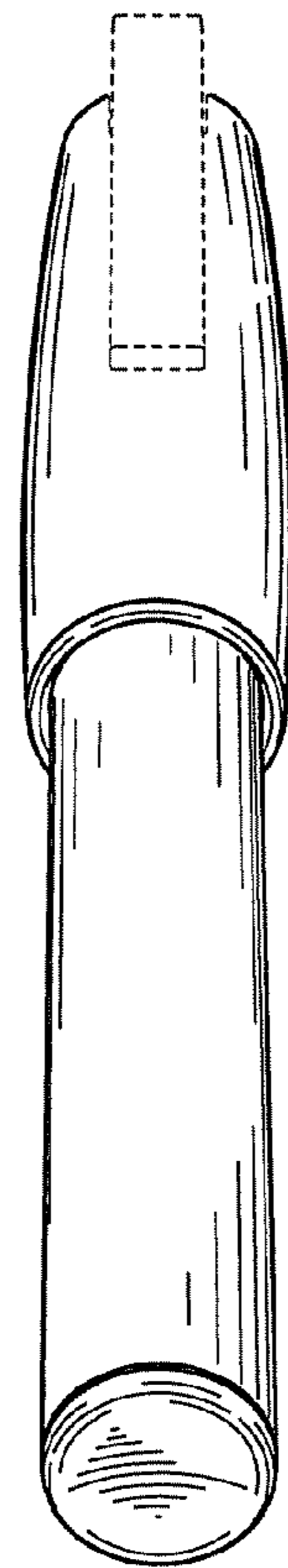


Fig. 7

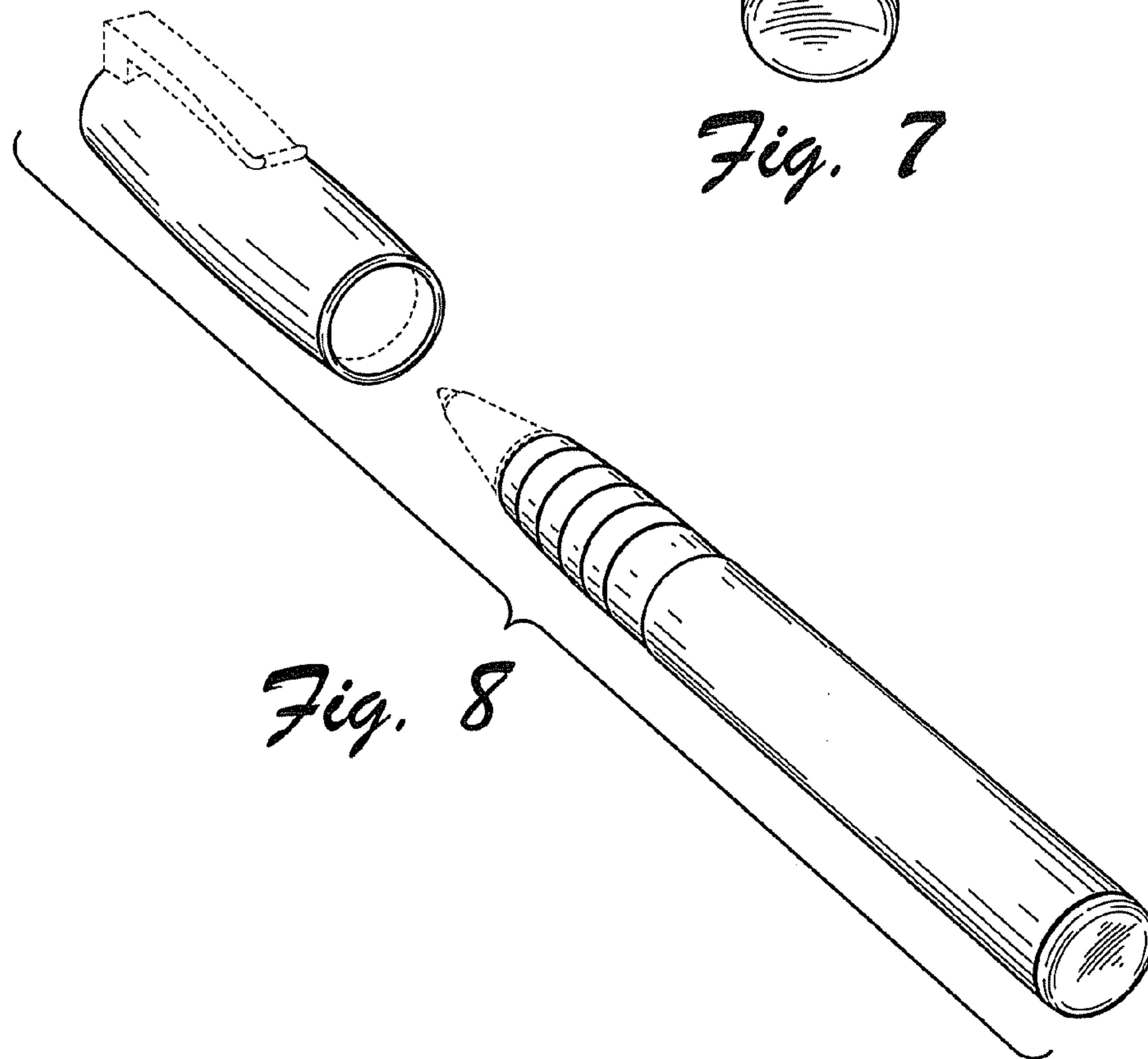


Fig. 8

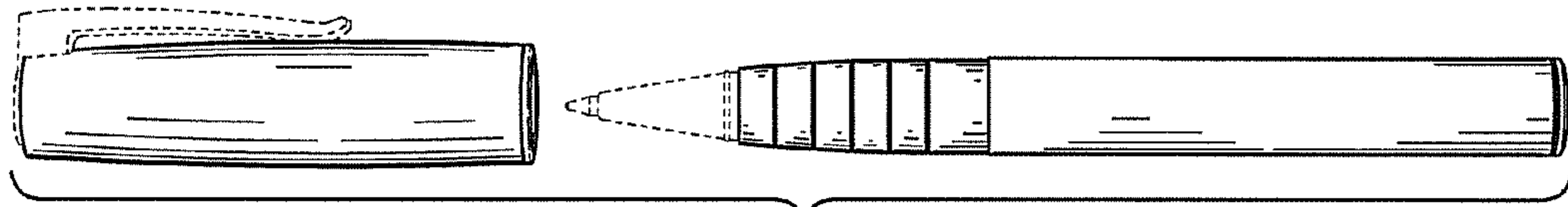


Fig. 9

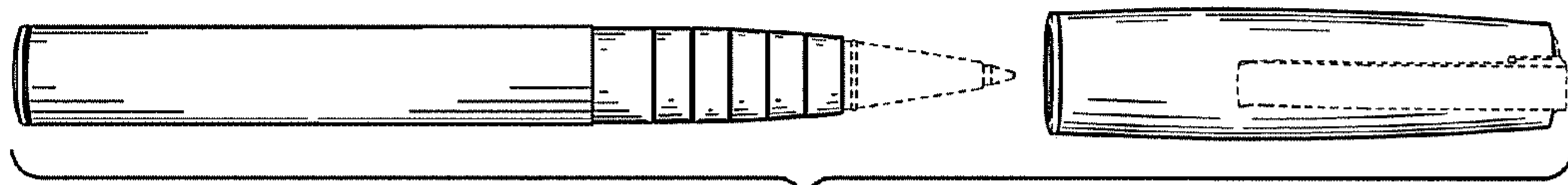


Fig. 10

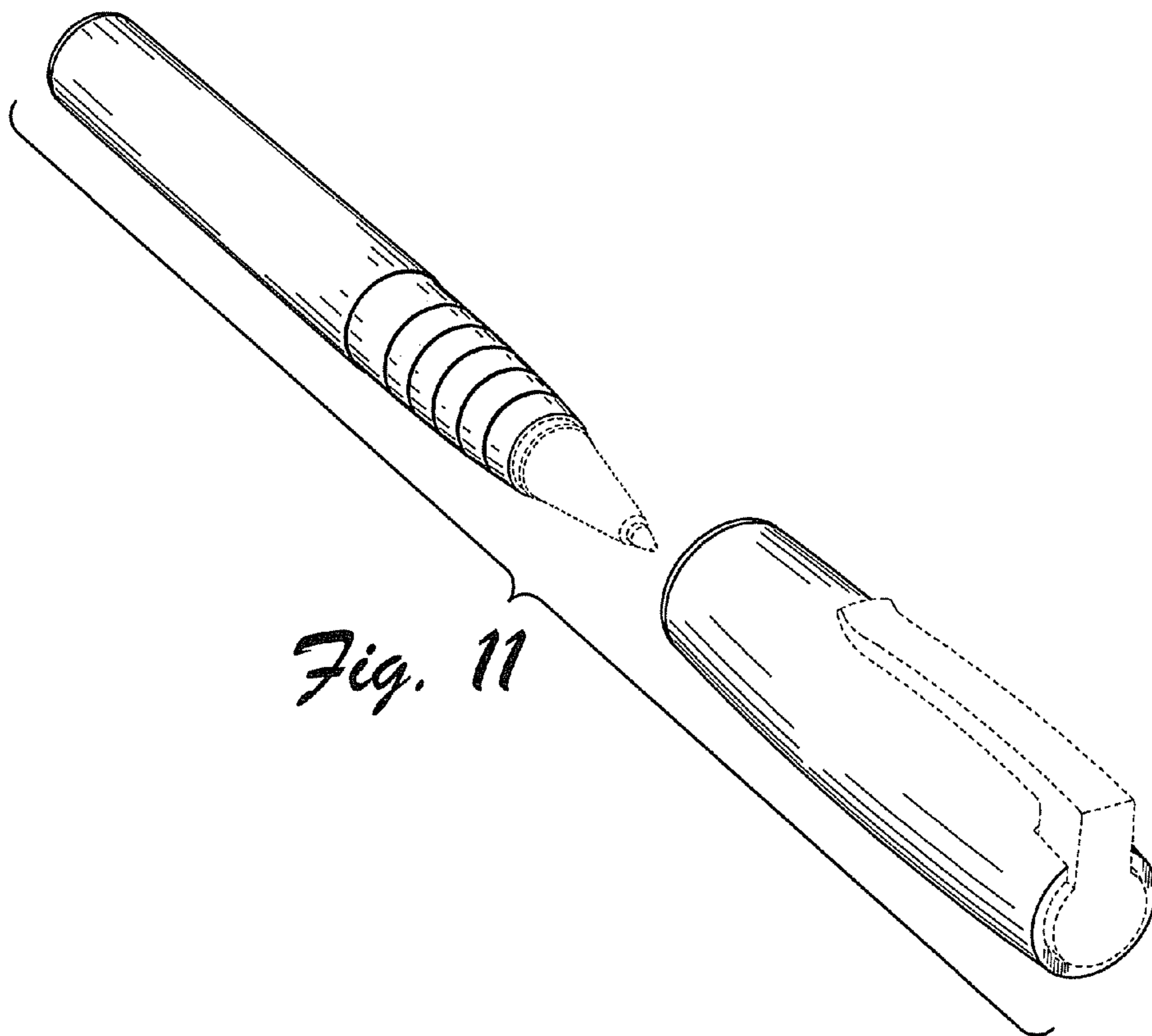


Fig. 11