



US00D628235S

(12) **United States Design Patent**
Huotari et al.

(10) **Patent No.:** **US D628,235 S**
(45) **Date of Patent:** **** Nov. 30, 2010**

(54) **BOOK BINDING DEVICE**

D476,658 S * 7/2003 Adachi et al. D14/423

(75) Inventors: **Iisakki Huotari**, Helsinki (FI); **Teemu Launto**, Helsinki (FI)

(73) Assignee: **Maping Kommandiittiyhtiö L. Huotari**, Espoo (FI)

(**) Term: **14 Years**

(21) Appl. No.: **29/331,175**

(22) Filed: **Jan. 21, 2009**

(51) **LOC (9) Cl.** **18-04**

(52) **U.S. Cl.** **D18/34.1**

(58) **Field of Classification Search** D18/15-19,
D18/50, 7, 34.1-34.9, 99; 400/462-470,
400/613.1-613.4; 156/384, DIG. 48, DIG. 49,
156/908; D19/68; 412/37, 33, 900; 118/681;
D14/420-245

See application file for complete search history.

(56) **References Cited**

U.S. PATENT DOCUMENTS

- D227,195 S * 6/1973 Abildguarp et al. D18/34.1
- D314,951 S * 2/1991 Swartz D14/423
- D354,050 S * 1/1995 Hasegawa D14/423
- D422,571 S * 4/2000 Sakata et al. D14/423
- D435,585 S * 12/2000 Chiang et al. D18/34.1
- D454,570 S * 3/2002 Adachi et al. D14/423
- D476,008 S * 6/2003 Adachi et al. D14/423

OTHER PUBLICATIONS

Yinjie Machinery Co., Ltd, Photobook Maker Product Sheets, Jan. 10, 2009.

* cited by examiner

Primary Examiner—Charles A Rademaker

(74) *Attorney, Agent, or Firm*—Bourque & Associates, P.A.

(57) **CLAIM**

The ornamental design for a book binding device, as shown and described.

DESCRIPTION

FIG. 1 is a front perspective view of the book binding device according to the present invention;

FIG. 2 is a rear perspective view of the book binding device;

FIG. 3 is a left side perspective view of the book binding device;

FIG. 4 is a right side perspective view of the book binding device;

FIG. 5 is a bottom perspective view of the book binding device;

FIG. 6 is a top perspective view of the book binding device; and,

FIG. 7 is a front-side perspective view of the book binding device.

1 Claim, 7 Drawing Sheets

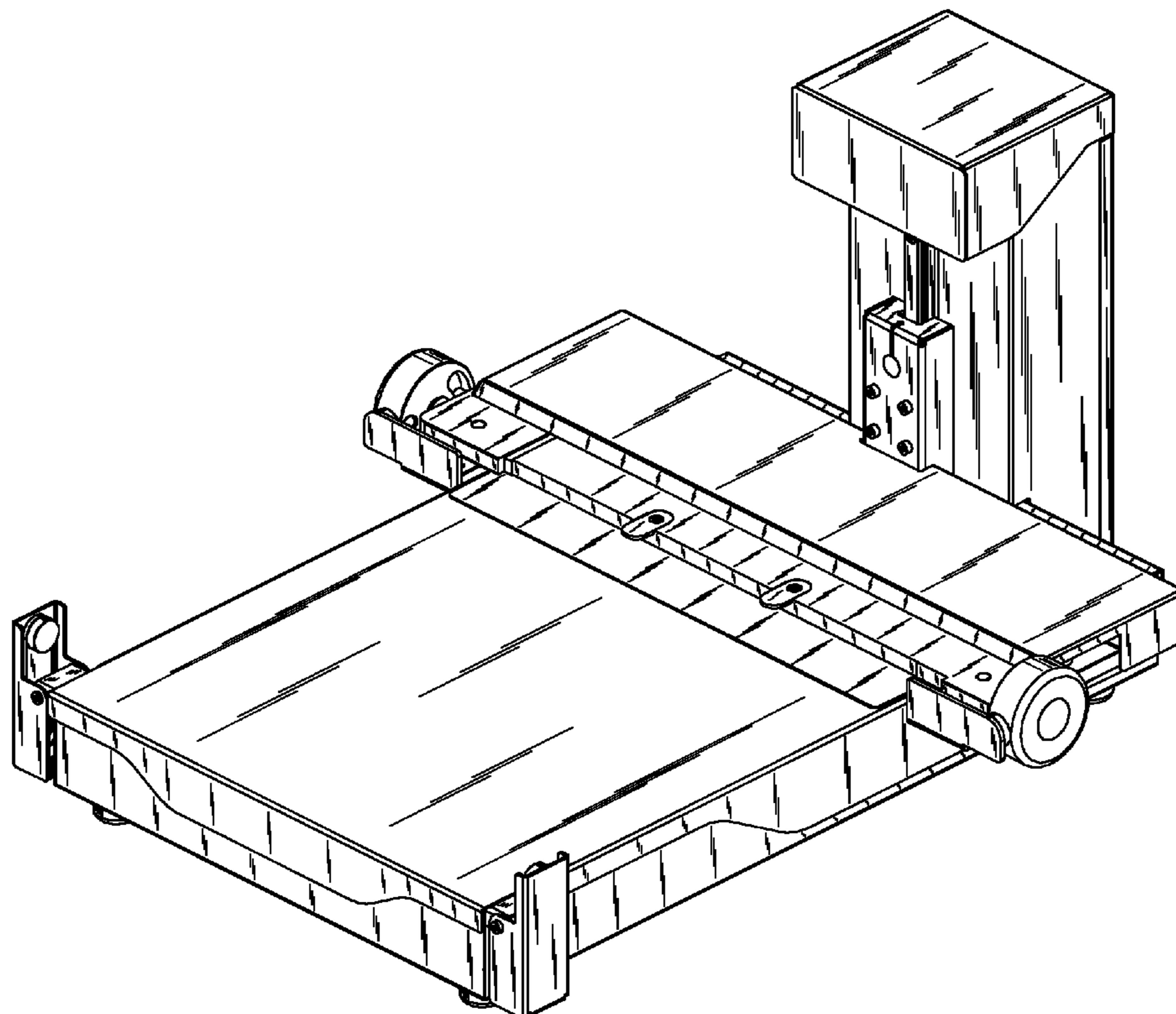


Fig 1.

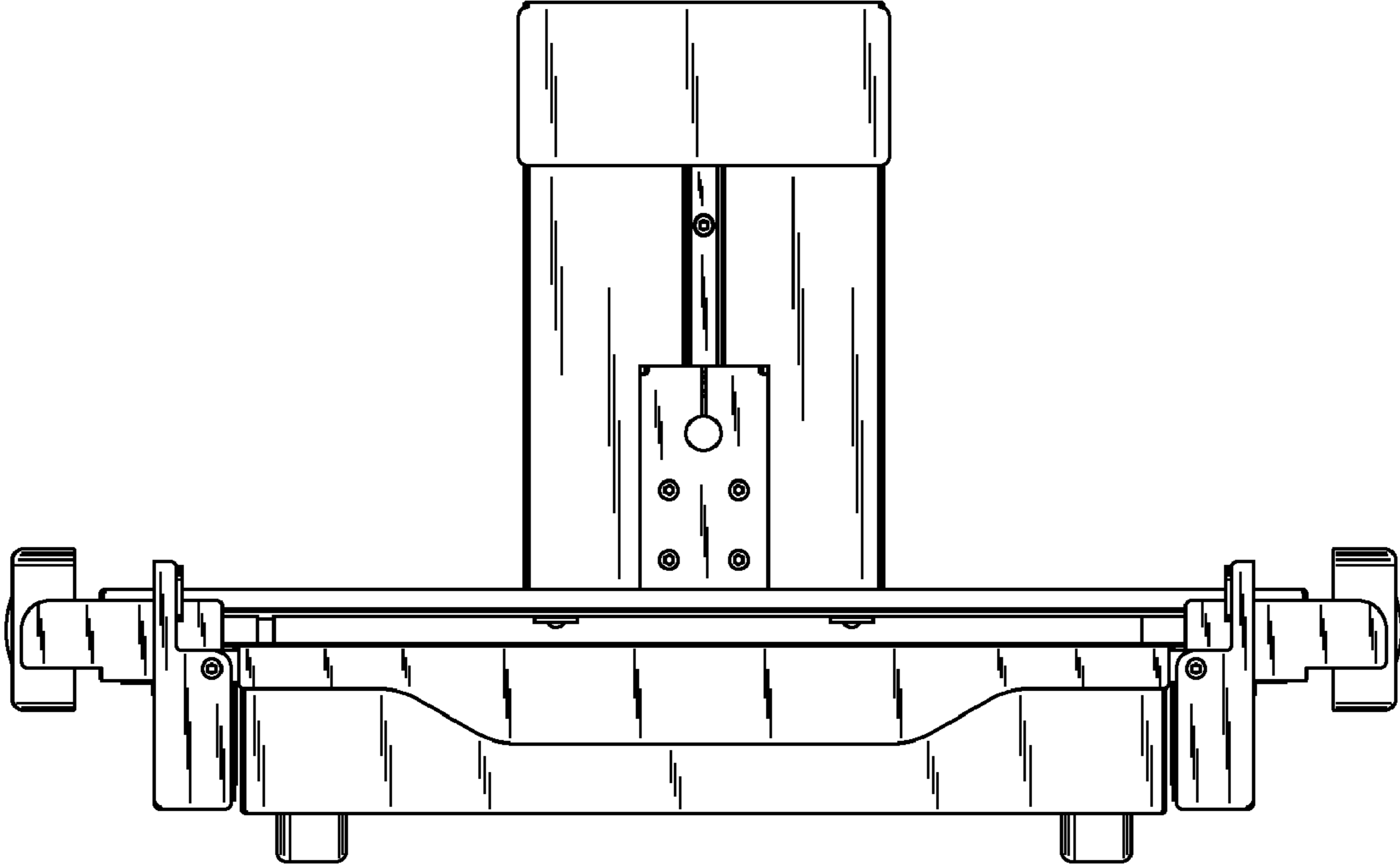


Fig. 2

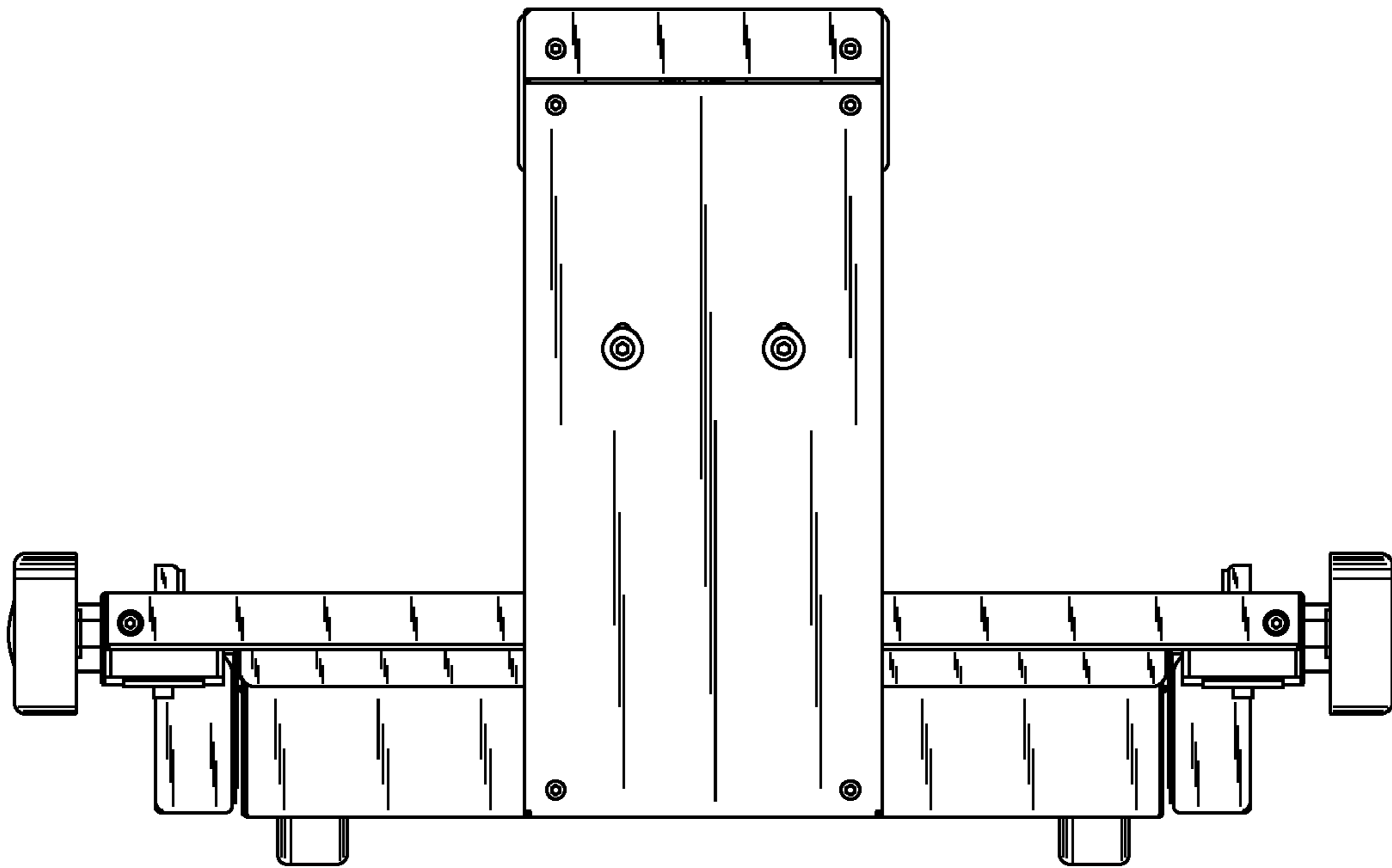


Fig. 3

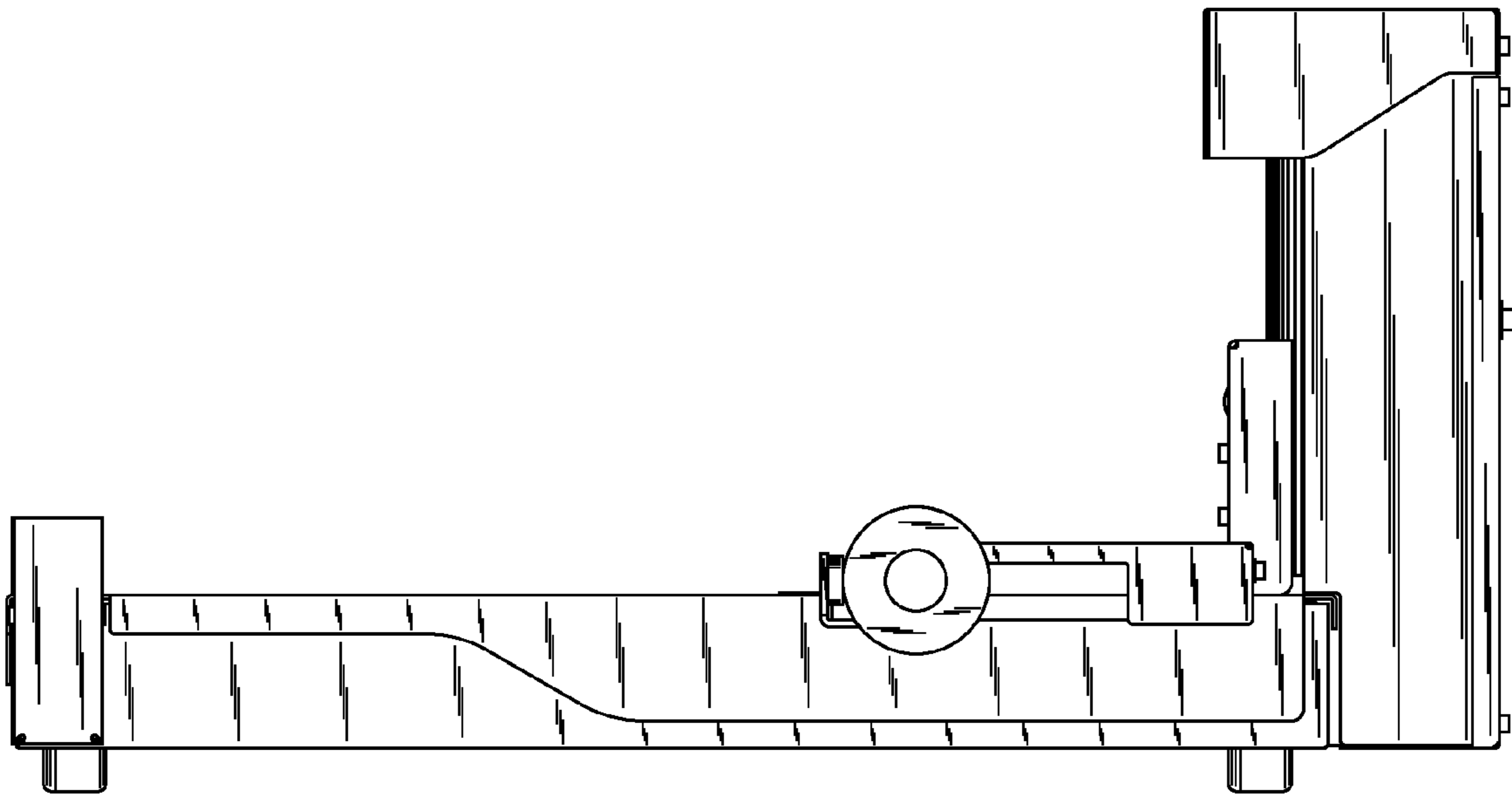


Fig. 4

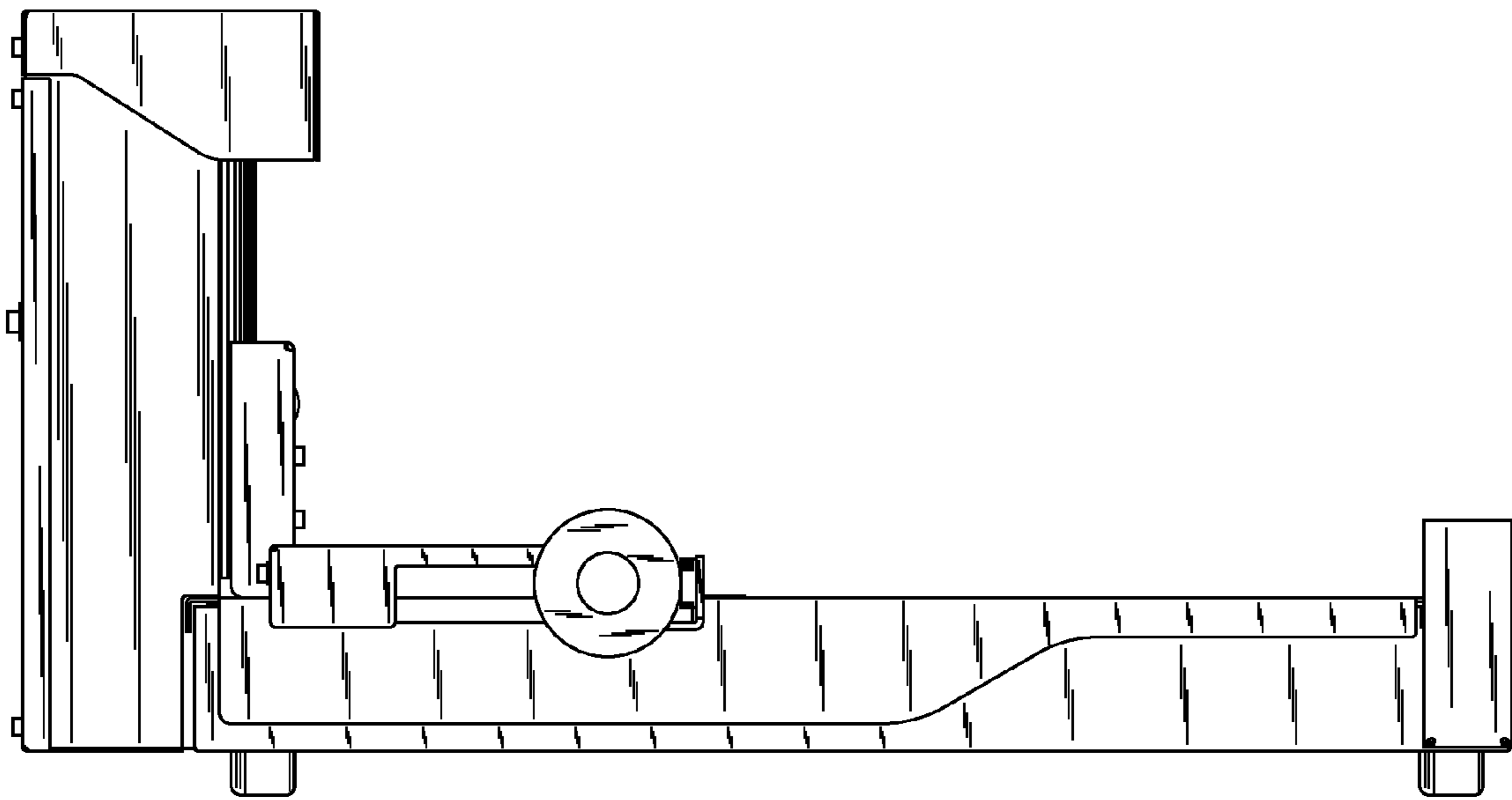


Fig. 5

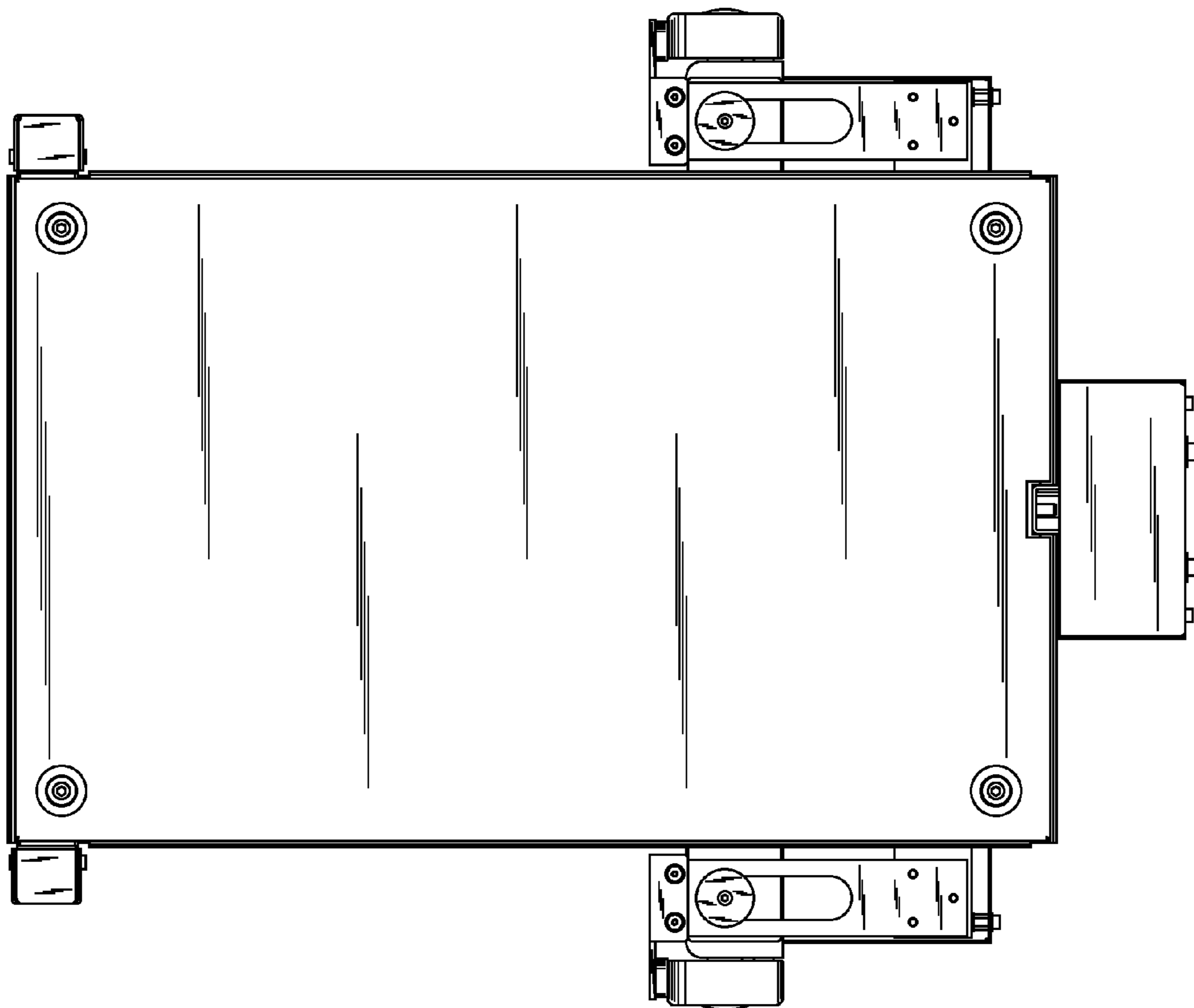


Fig. 6

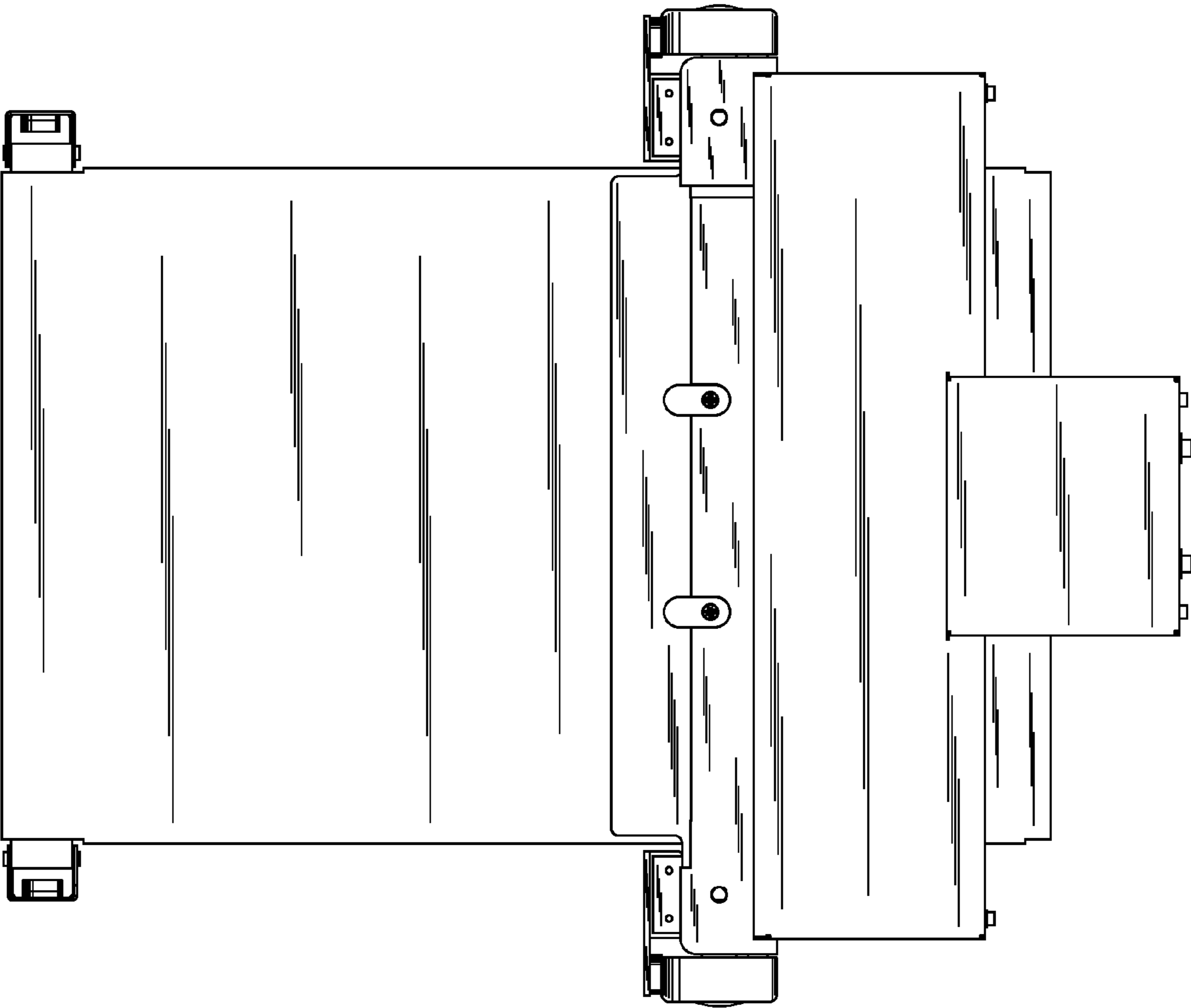


Fig. 7

