



US00D628227S

(12) **United States Design Patent**  
**Kawabe et al.**

(10) **Patent No.:** **US D628,227 S**

(45) **Date of Patent:** **\*\* \*Nov. 30, 2010**

(54) **PROJECTOR**

(75) Inventors: **Genta Kawabe**, Matsumoto (JP); **Isao Sakamaki**, Matsumoto (JP); **Tsuyoshi Arai**, Matsumoto (JP); **Keisuke Sakagami**, Suwa (JP); **Sei Nakanishi**, Matsumoto (JP); **Yasushi Tateno**, Matsumoto (JP)

(73) Assignee: **Seiko Epson Corporation**, Tokyo (JP)

(\*\*) Term: **14 Years**

(21) Appl. No.: **29/354,483**

(22) Filed: **Jan. 25, 2010**

**Related U.S. Application Data**

(63) Continuation-in-part of application No. 29/335,084, filed on Apr. 8, 2009, now Pat. No. Des. 617,822.

(30) **Foreign Application Priority Data**

Dec. 4, 2008 (JP) ..... 2008-031038

(51) **LOC (9) Cl.** ..... **16-02**

(52) **U.S. Cl.** ..... **D16/231; D16/230**

(58) **Field of Classification Search** ..... D16/205, D16/208, 213, 221, 225, 230-232, 234; D21/514; 353/115, 119, 122

See application file for complete search history.

(56) **References Cited**

**U.S. PATENT DOCUMENTS**

D185,994 S \* 8/1959 Lanigan ..... D16/234  
D204,032 S 3/1966 Herbst et al.  
3,344,710 A 10/1967 Bersudsky  
4,969,733 A 11/1990 Jewison  
D321,527 S 11/1991 Kurozumi et al.  
D332,473 S 1/1993 Chan  
D341,136 S 11/1993 Shimizu et al.

D343,850 S 2/1994 Saeki et al.  
D371,564 S 7/1996 Sunada et al.  
D421,269 S 2/2000 Murakami  
D498,488 S 11/2004 Oota et al.  
D605,682 S \* 12/2009 Messner ..... D16/230  
D613,326 S \* 4/2010 Kawabe et al. .... D16/235  
D617,822 S \* 6/2010 Kawabe et al. .... D16/225  
2005/0041221 A1 2/2005 Buroni  
2010/0045947 A1\* 2/2010 Nakanishi et al. .... 353/119

**FOREIGN PATENT DOCUMENTS**

JP S-D1371246 9/2009

\* cited by examiner

*Primary Examiner*—Stella M Reid

*Assistant Examiner*—Wan Laymon

(74) *Attorney, Agent, or Firm*—Oliff & Berridge, PLC

(57) **CLAIM**

The ornamental design for a projector, as shown and described.

**DESCRIPTION**

FIG. 1 is a bottom perspective view of a projector;

FIG. 2 is a top perspective view thereof;

FIG. 3 is a front view thereof;

FIG. 4 is a rear view thereof;

FIG. 5 is a left-side view thereof;

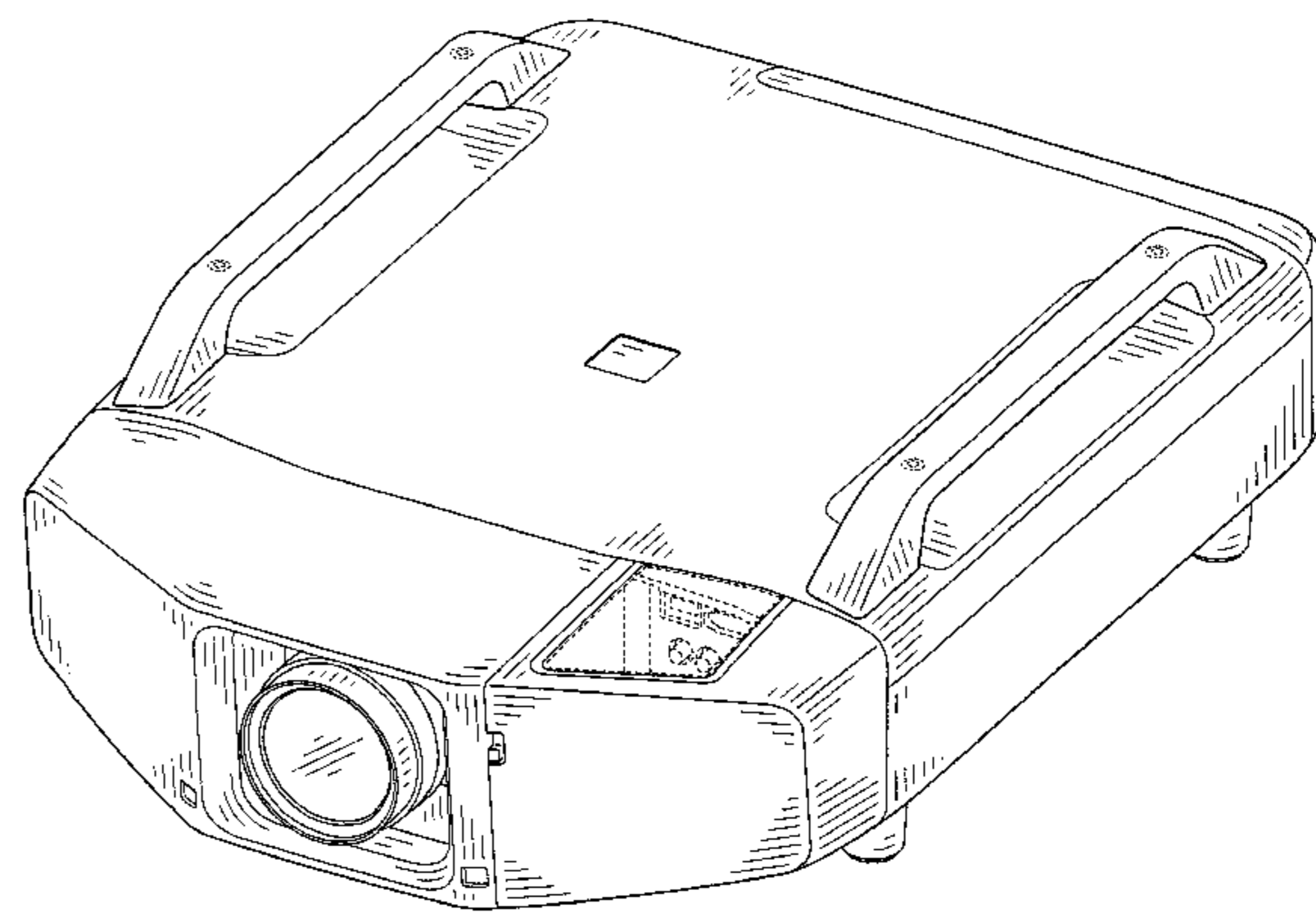
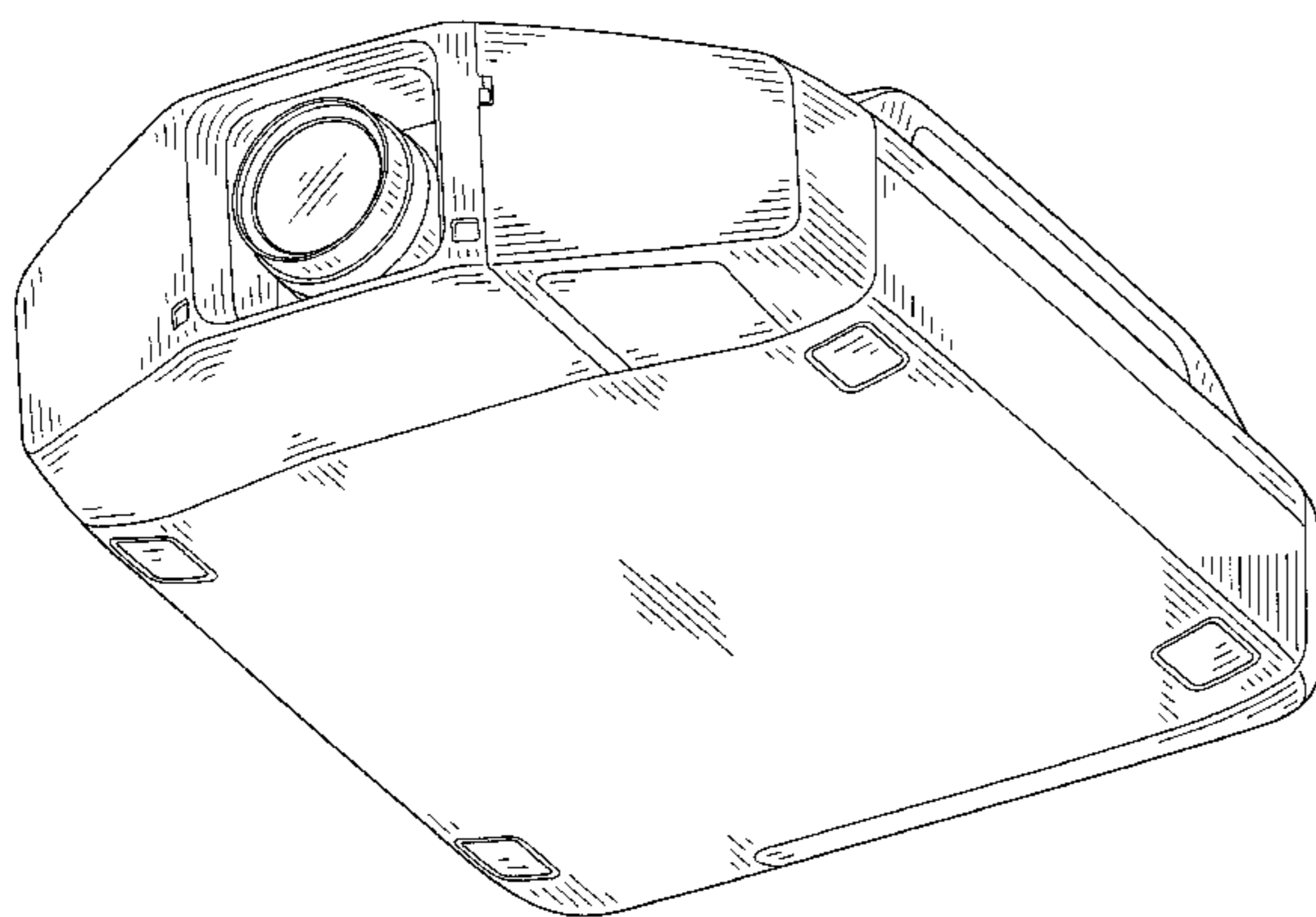
FIG. 6 is a right-side view thereof;

FIG. 7 is a top view thereof; and,

FIG. 8 is a bottom view thereof.

The broken line immediately adjacent to the shaded areas represent the bounds of the claimed design while all other broken lines are included for the purpose of illustrating environmental structure only; the broken lines form no part of the claimed design.

**1 Claim, 8 Drawing Sheets**



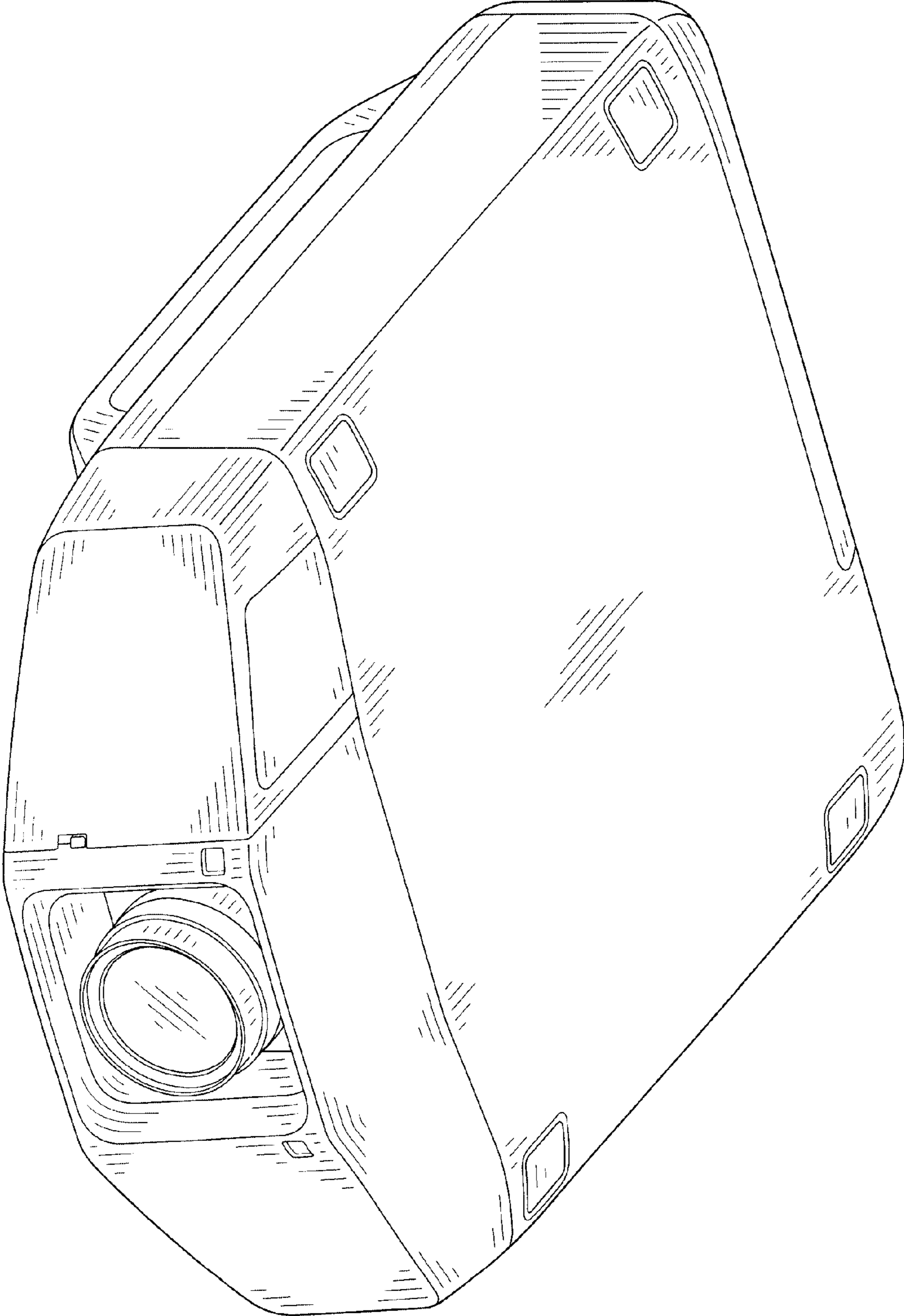


FIG. 1

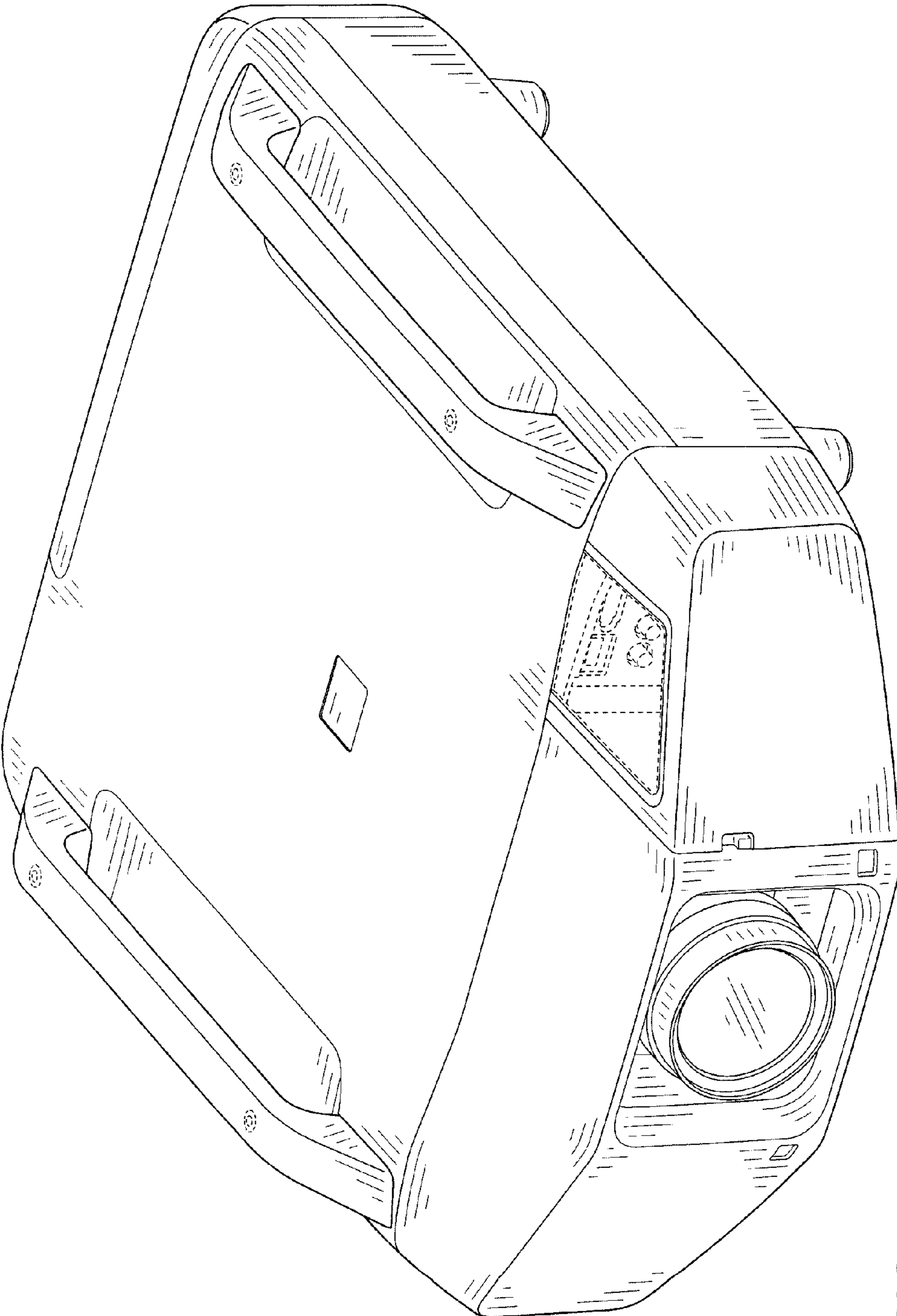


FIG. 2

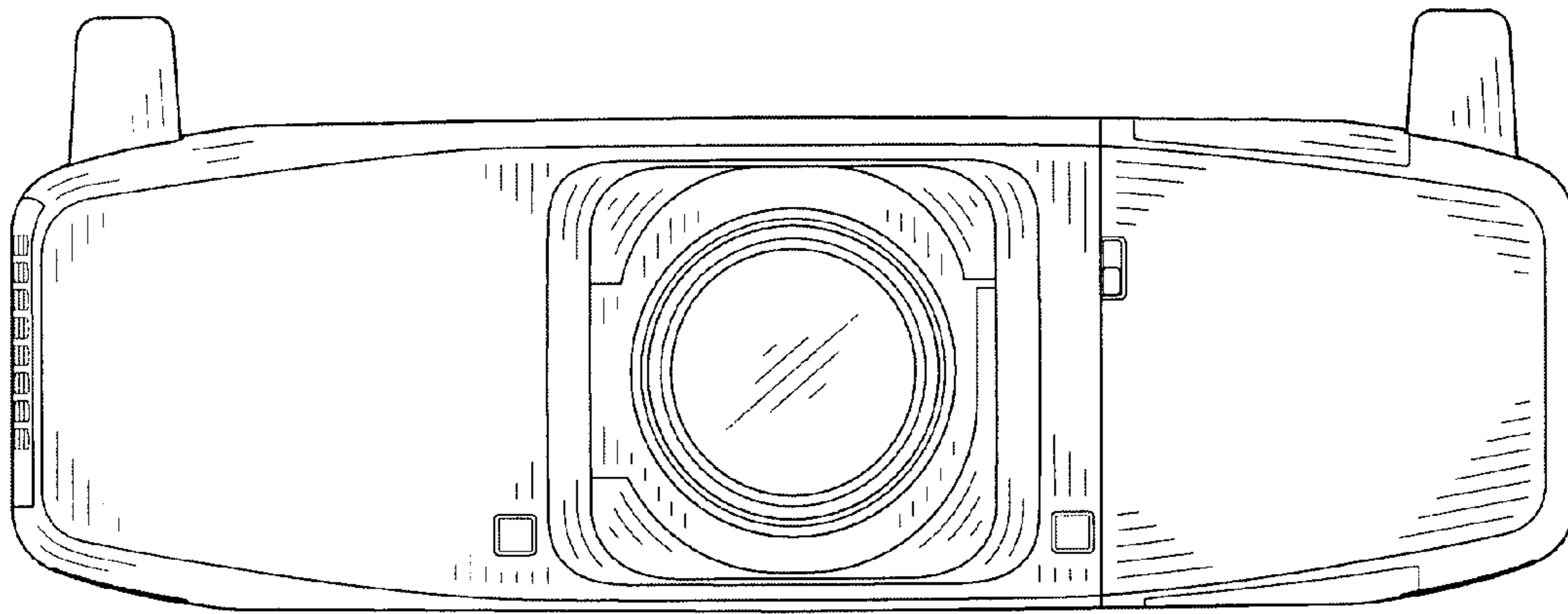


FIG. 3

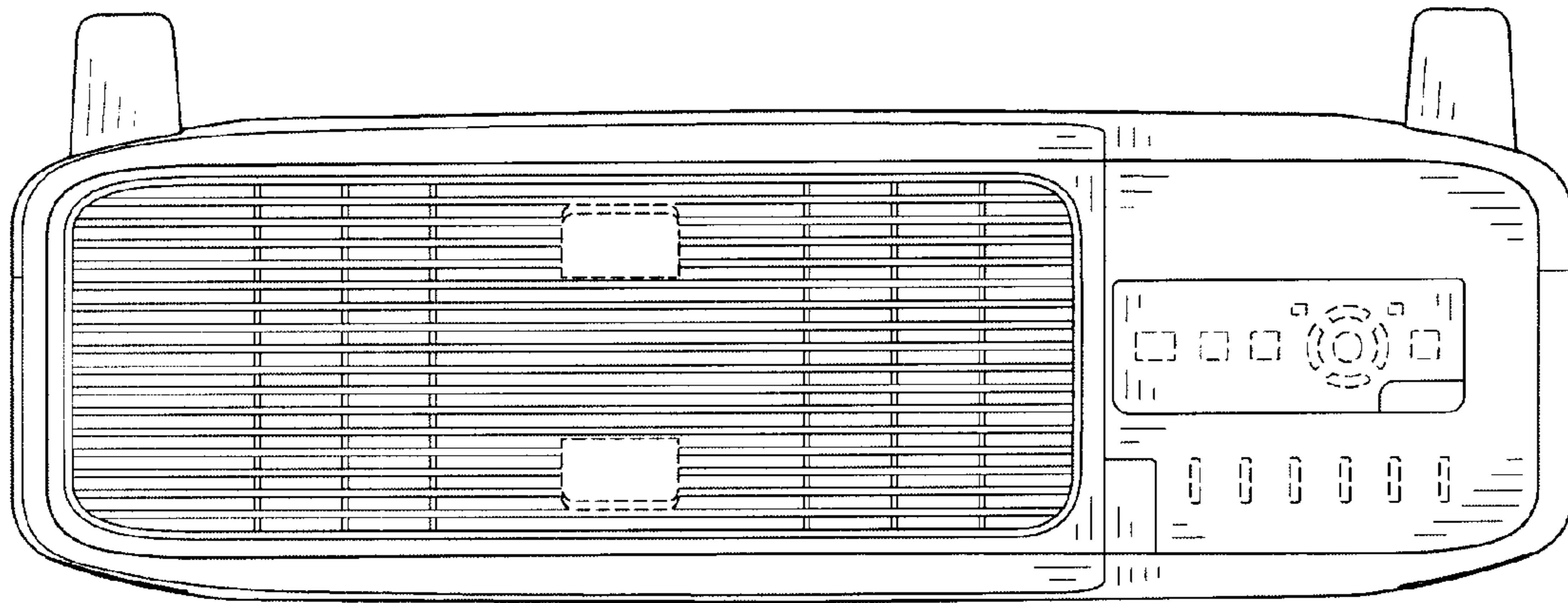


FIG. 4

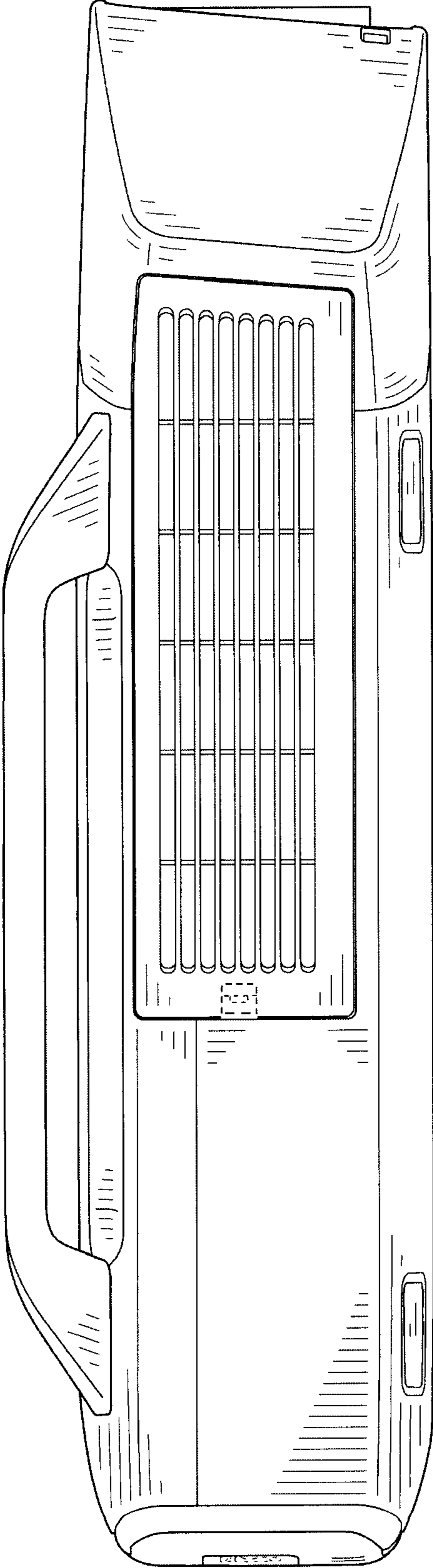


FIG. 5

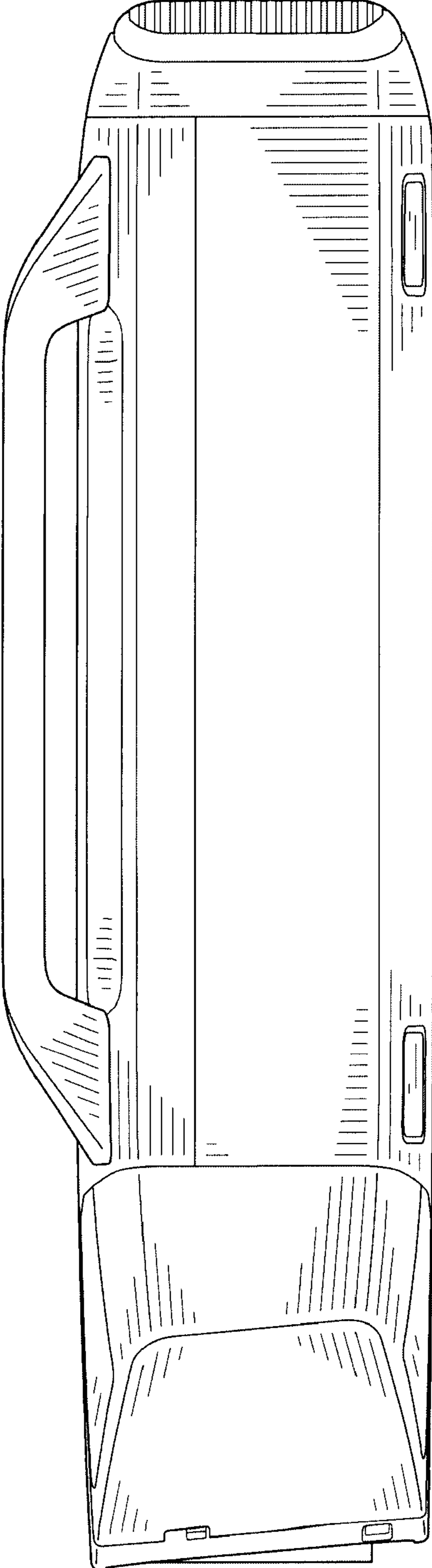


FIG. 6

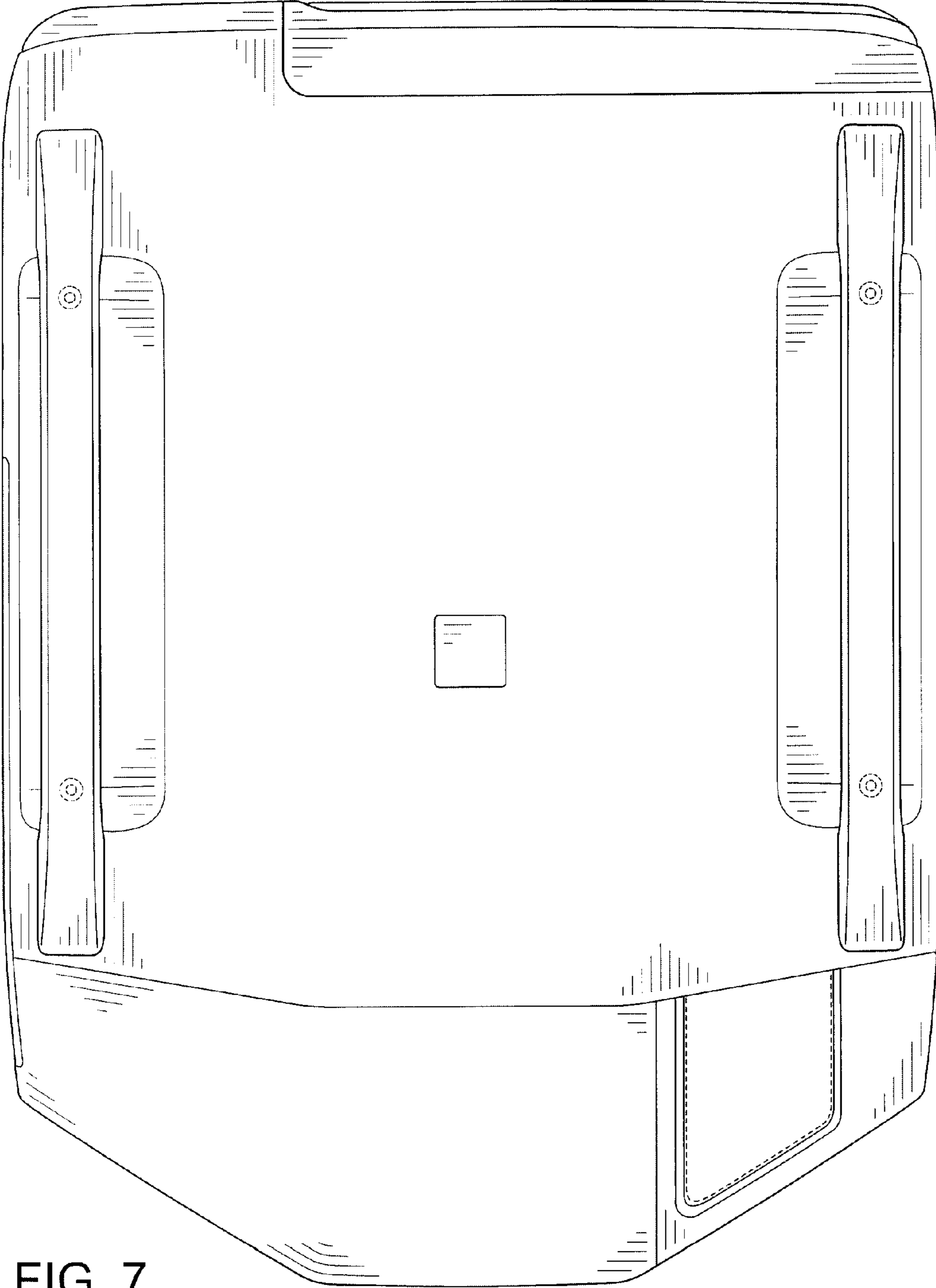
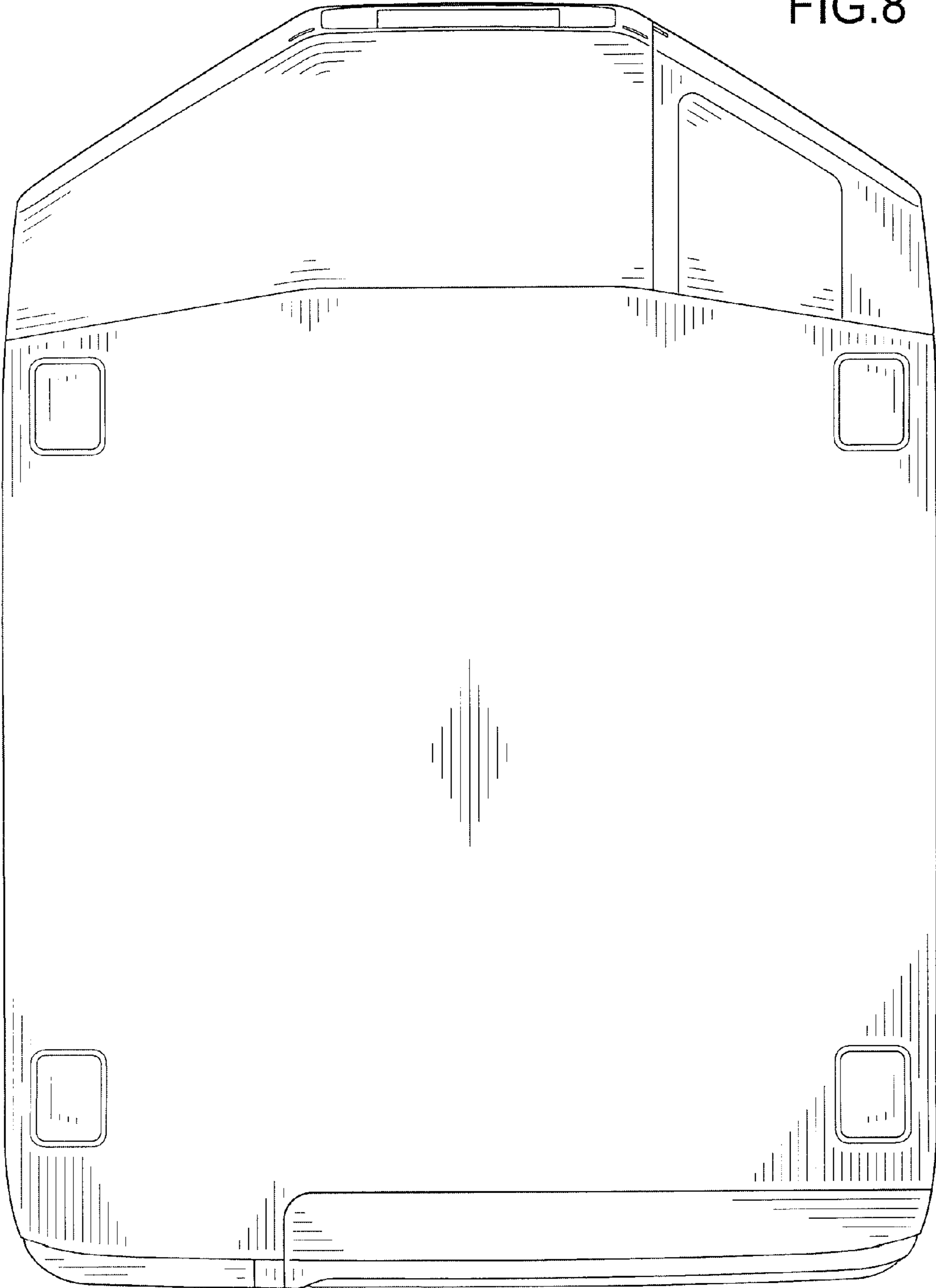


FIG. 7



FIG.8



UNITED STATES PATENT AND TRADEMARK OFFICE  
**CERTIFICATE OF CORRECTION**

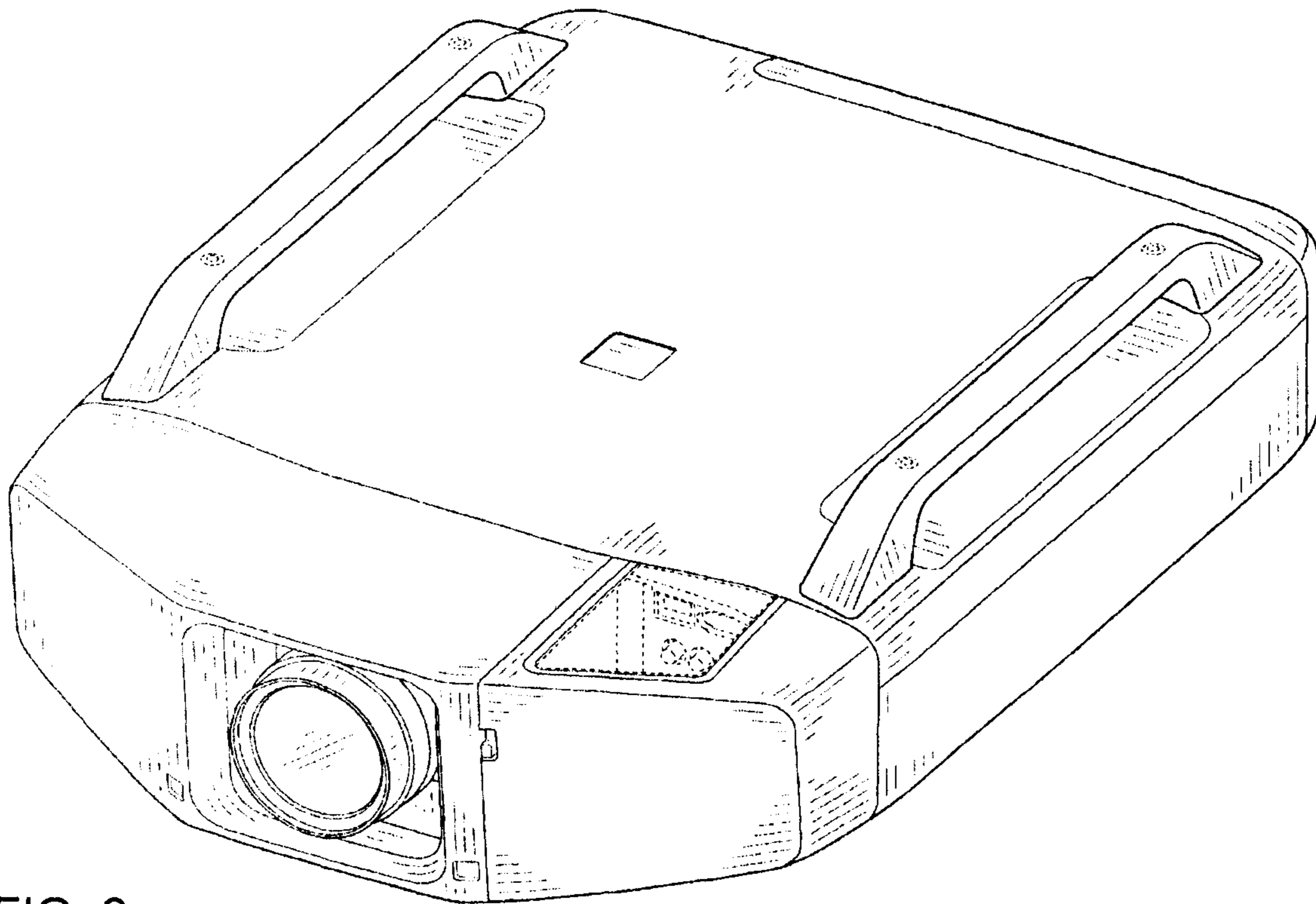
PATENT NO. : D628,227 S  
APPLICATION NO. : 29/354483  
DATED : November 30, 2010  
INVENTOR(S) : Genta Kawabe et al.

Page 1 of 2

It is certified that error appears in the above-identified patent and that said Letters Patent is hereby corrected as shown below:

Delete Title Page showing an illustrative figure and substitute the attached Title Page therefor.

Replace fig 2 with the fig 2 below.



**FIG. 2**

Signed and Sealed this  
Twenty-second Day of March, 2011

David J. Kappos  
*Director of the United States Patent and Trademark Office*

(12) **United States Design Patent**  
**Kawabe et al.**

(10) **Patent No.:** **US D628,227 S**  
(45) **Date of Patent:** **\*\* \*Nov. 30, 2010**

(54) **PROJECTOR**

(75) Inventors: **Genta Kawabe**, Matsumoto (JP); **Isao Sakamaki**, Matsumoto (JP); **Tsuyoshi Arai**, Matsumoto (JP); **Keisuke Sakagami**, Suwa (JP); **Sei Nakanishi**, Matsumoto (JP); **Yasushi Tateno**, Matsumoto (JP)

(73) Assignee: **Seiko Epson Corporation**, Tokyo (JP)

(\*\*) Term: **14 Years**

(21) Appl. No.: **29/354,483**

(22) Filed: **Jan. 25, 2010**

**Related U.S. Application Data**

(63) Continuation-in-part of application No. 29/335,084, filed on Apr. 8, 2009, now Pat. No. Des. 617,822.

(30) **Foreign Application Priority Data**

Dec. 4, 2008 (JP) ..... 2008-031038

(51) **LOC (9) Cl.** ..... **16-02**

(52) **U.S. Cl.** ..... **D16/231; D16/230**

(58) **Field of Classification Search** ..... **D16/205, D16/208, 213, 221, 225, 230-232, 234; D21/514; 353/115, 119, 122**

See application file for complete search history.

(56) **References Cited**

**U.S. PATENT DOCUMENTS**

- D185,994 S \* 8/1959 Lanigan ..... D16/234
- D204,032 S 3/1966 Herbst et al.
- 3,344,710 A 10/1967 Bersudsky
- 4,969,733 A 11/1990 Jewison
- D321,527 S 11/1991 Kurozumi et al.
- D332,473 S 1/1993 Chan
- D341,136 S 11/1993 Shimizu et al.

- D343,850 S 2/1994 Saeki et al.
- D371,564 S 7/1996 Sunada et al.
- D421,269 S 2/2000 Murakami
- D498,488 S 11/2004 Oota et al.
- D605,682 S \* 12/2009 Messner ..... D16/230
- D613,326 S \* 4/2010 Kawabe et al. .... D16/235
- D617,822 S \* 6/2010 Kawabe et al. .... D16/225
- 2005/0041221 A1 2/2005 Buroni
- 2010/0045947 A1\* 2/2010 Nakanishi et al. .... 353/119

**FOREIGN PATENT DOCUMENTS**

JP S-D1371246 9/2009

\* cited by examiner

*Primary Examiner*—Stella M Reid

*Assistant Examiner*—Wan Laymon

(74) *Attorney, Agent, or Firm*—Oliff & Berridge, PLC

(57) **CLAIM**

The ornamental design for a projector, as shown and described.

**DESCRIPTION**

FIG. 1 is a bottom perspective view of a projector;

FIG. 2 is a top perspective view thereof;

FIG. 3 is a front view thereof;

FIG. 4 is a rear view thereof;

FIG. 5 is a left-side view thereof;

FIG. 6 is a right-side view thereof;

FIG. 7 is a top view thereof; and,

FIG. 8 is a bottom view thereof.

The broken line immediately adjacent to the shaded areas represent the bounds of the claimed design while all other broken lines are included for the purpose of illustrating environmental structure only; the broken lines form no part of the claimed design.

**1 Claim, 8 Drawing Sheets**

