



US00D628226S

(12) **United States Design Patent**
Hibi et al.

(10) **Patent No.:** **US D628,226 S**

(45) **Date of Patent:** **** Nov. 30, 2010**

(54) **VIDEO CAMERA**

(75) Inventors: **Keita Hibi**, Tokyo (JP); **Hiroshi Yasutomi**, Tokyo (JP)

(73) Assignee: **Sony Corporation**, Tokyo (JP)

(**) Term: **14 Years**

(21) Appl. No.: **29/347,162**

(22) Filed: **Oct. 8, 2009**

(51) **LOC (9) Cl.** **16-05**

(52) **U.S. Cl.** **D16/219**

(58) **Field of Classification Search** D16/200–203,
D16/208, 218, 219; 348/373–376; 358/906;
396/535–541

See application file for complete search history.

(56) **References Cited**

U.S. PATENT DOCUMENTS

D374,880 S	10/1996	Kataoka	
D415,510 S	10/1999	Maeyama	
D487,476 S *	3/2004	Komatsu	D16/219
D488,495 S	4/2004	Shimizu	
D491,595 S *	6/2004	Senda	D16/202
D501,216 S	1/2005	Shimizu	
D505,686 S *	5/2005	Ikenaga	D16/219
D508,066 S	8/2005	Ikenaga	
D513,758 S *	1/2006	Onuma	D16/219
D516,600 S	3/2006	Tsuchiya	
D524,349 S *	7/2006	Nagayama et al.	D16/219
D524,350 S *	7/2006	Hayamizu	D16/219
D557,720 S	12/2007	Shimizu	
D559,289 S	1/2008	Shimizu	
D561,800 S	2/2008	Sadatsuki	
D565,624 S *	4/2008	Inaba	D16/219
D566,152 S	4/2008	Shimizu	

D566,743 S	4/2008	Shimizu
D576,188 S	9/2008	Murakami
D587,291 S	2/2009	Yasutomi

FOREIGN PATENT DOCUMENTS

JP D1342524 S 10/2008

OTHER PUBLICATIONS

Catalog, "iVIS HG10," p. 8, Canon Digital Video Catalog "iVis," Canon Inc. (Jan. 2008) (cited in Office Action mailed by Japan Patent Office on Sep. 15, 2009 assigned as Japan Patent Office Design Division Prior Art Document No. HC19032423).

* cited by examiner

Primary Examiner—Adir Aronovich

(74) *Attorney, Agent, or Firm*—Rader, Fishman & Grauer PLLC

(57) **CLAIM**

The ornamental design for a video camera, as shown and described.

DESCRIPTION

FIG. 1 is a perspective view of a video camera showing our new design;

FIG. 2 is a perspective view thereof wherein the viewing screen is in an open position;

FIG. 3 is a front elevational view of the video camera of FIG. 1;

FIG. 4 is a rear elevational view thereof;

FIG. 5 is a right side elevational view thereof; and,

FIG. 6 is a top plan view thereof.

The broken line portions in all views are shown to illustrate environment only and form no part of the claimed design.

1 Claim, 6 Drawing Sheets

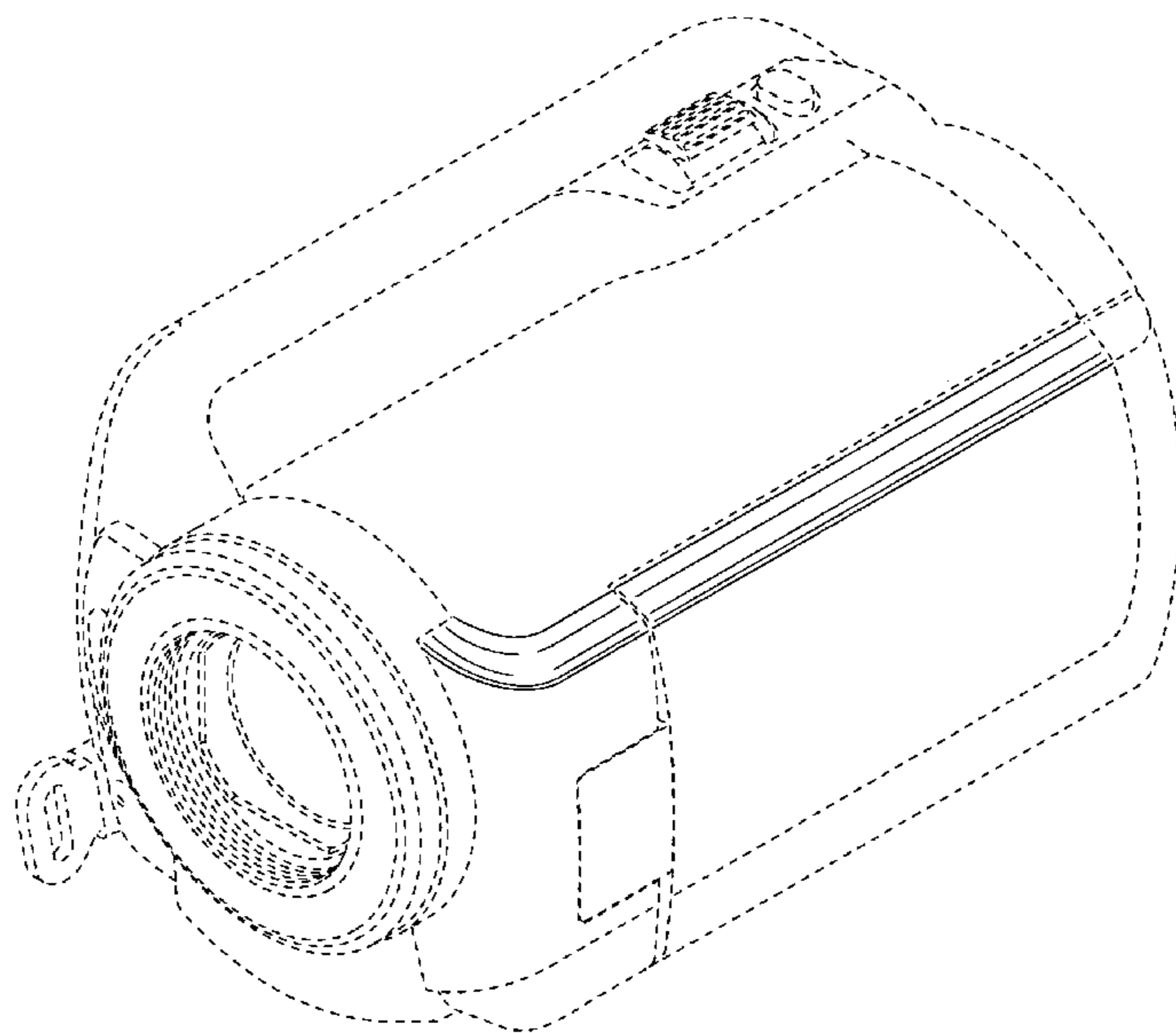


FIG.1

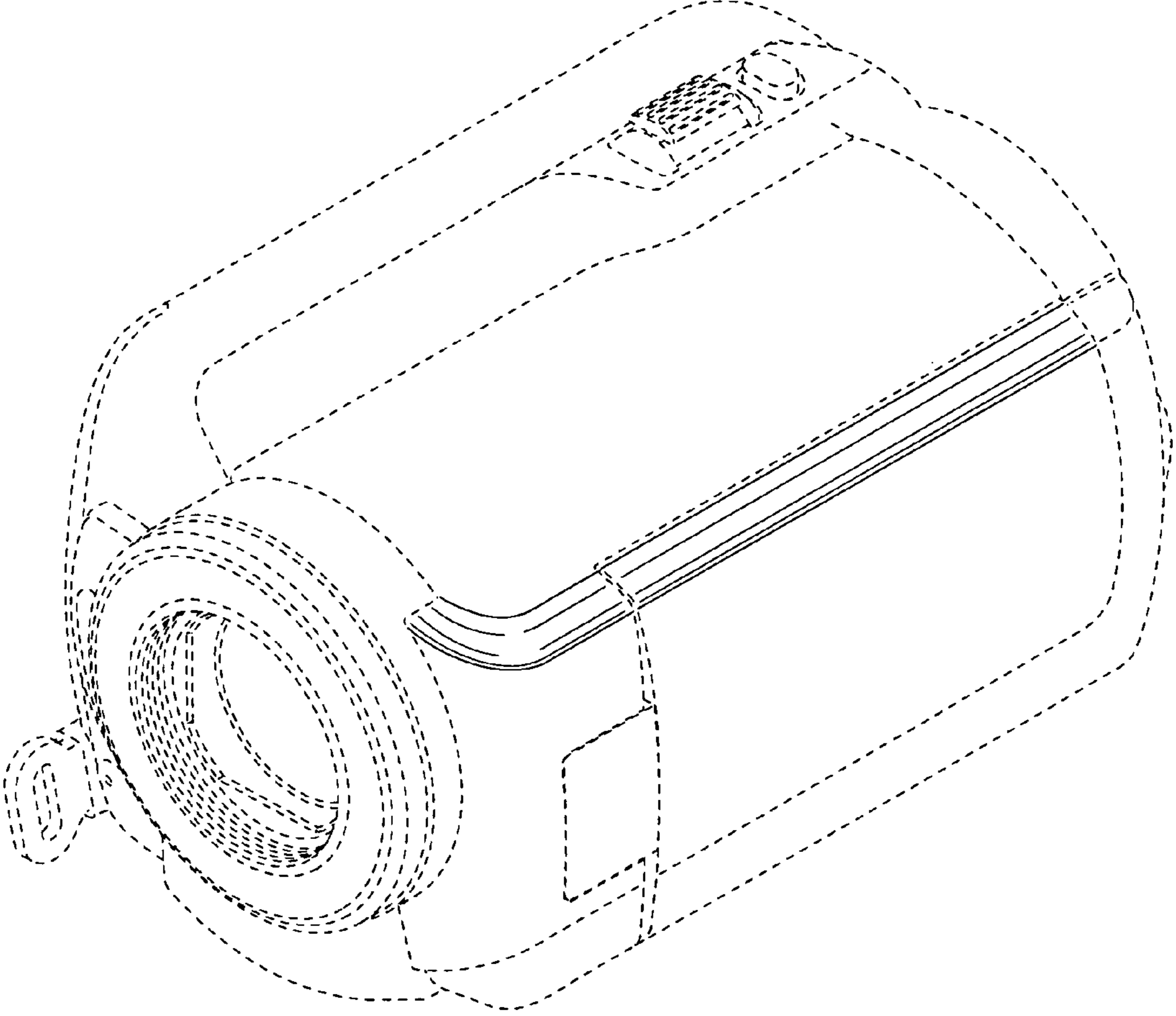


FIG.2

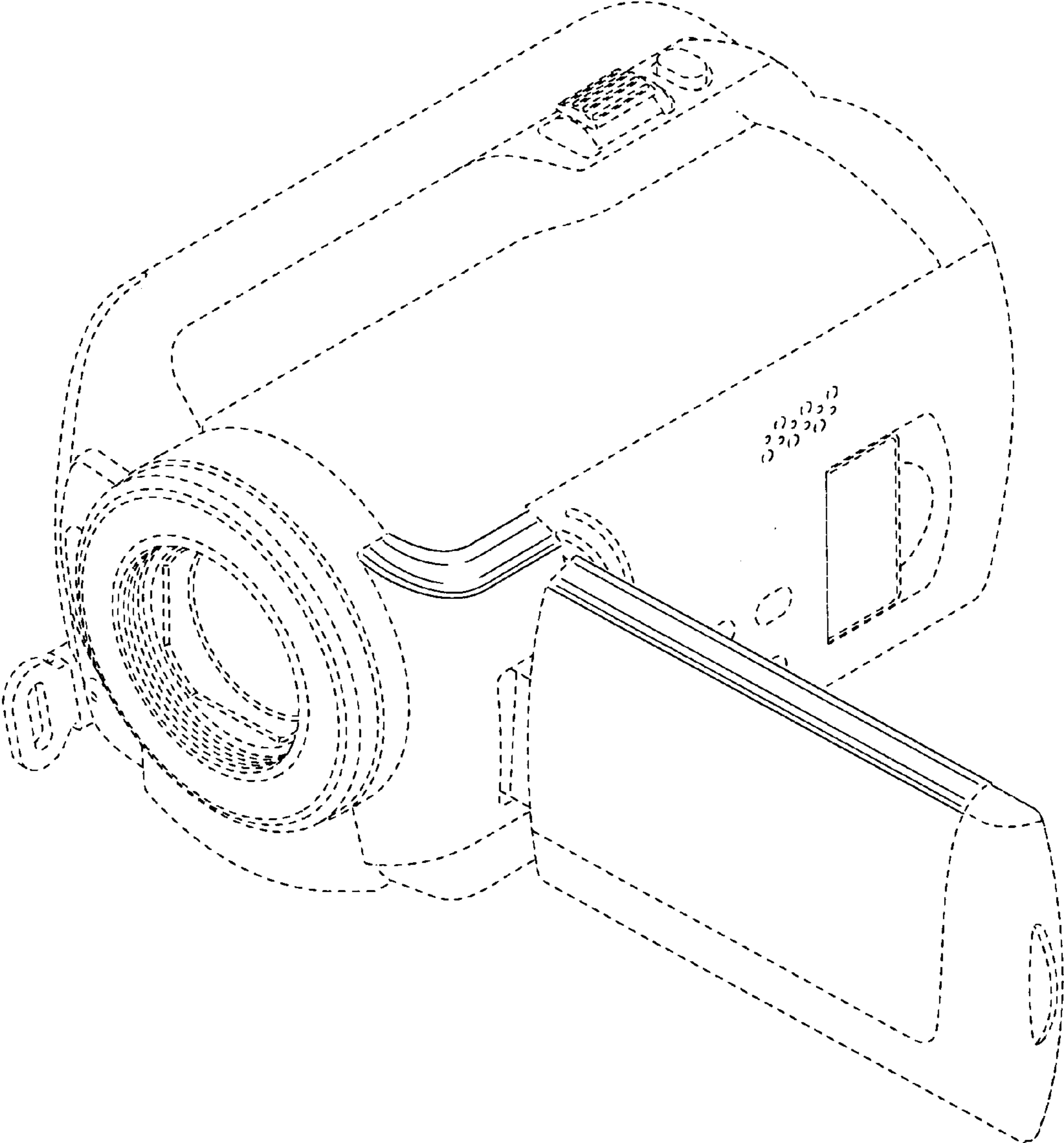


FIG.3

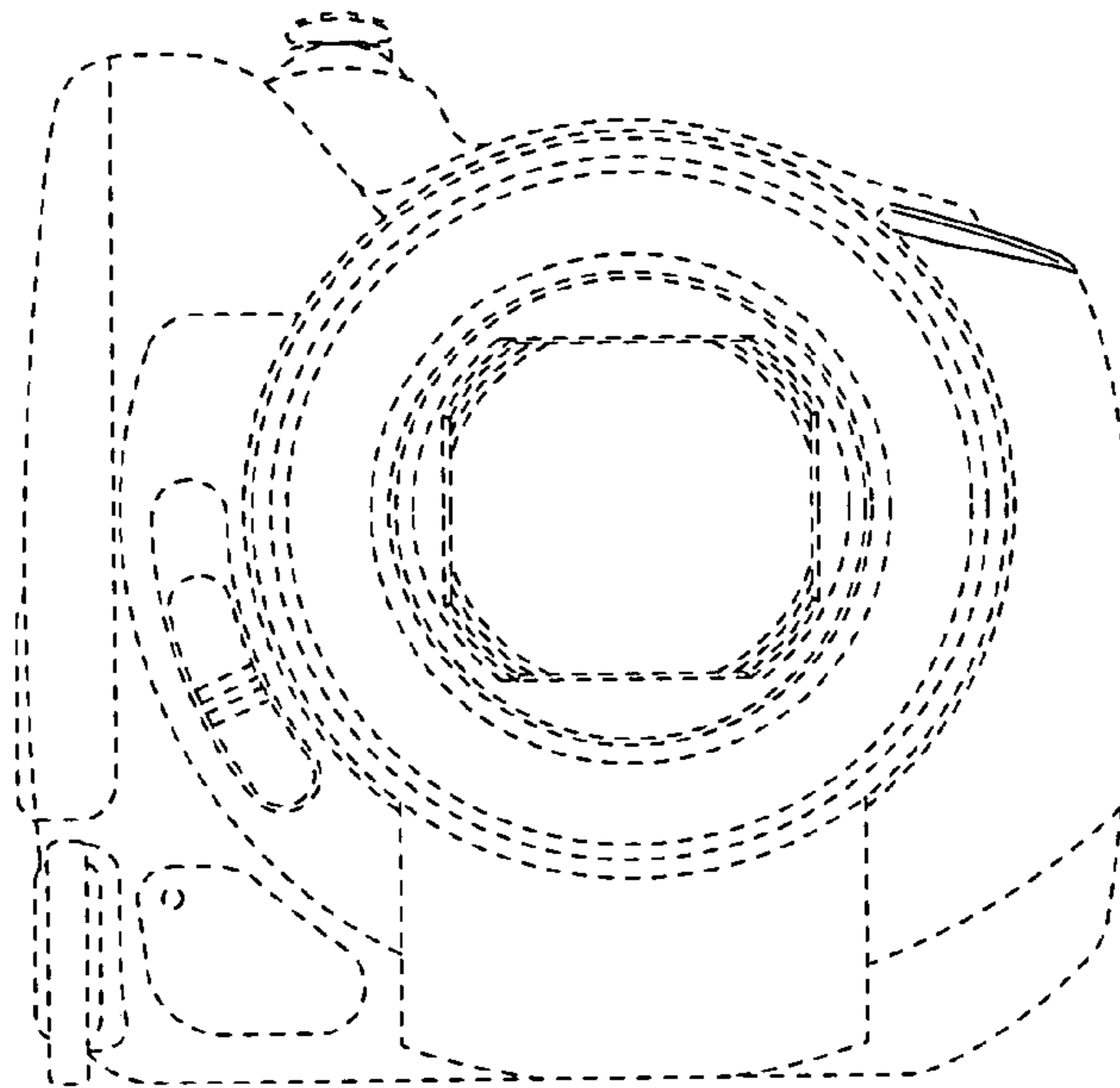


FIG.4

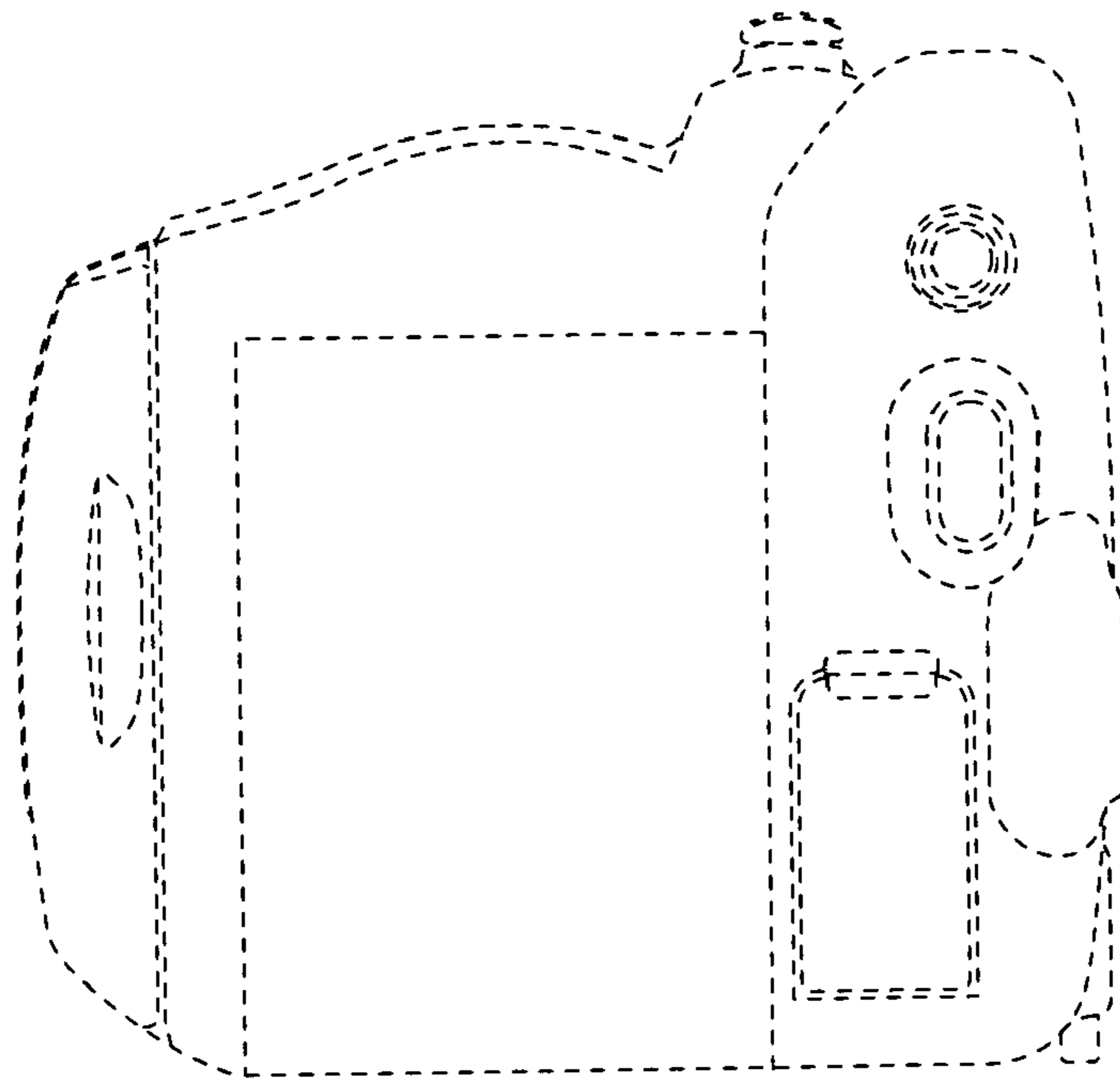


FIG.5

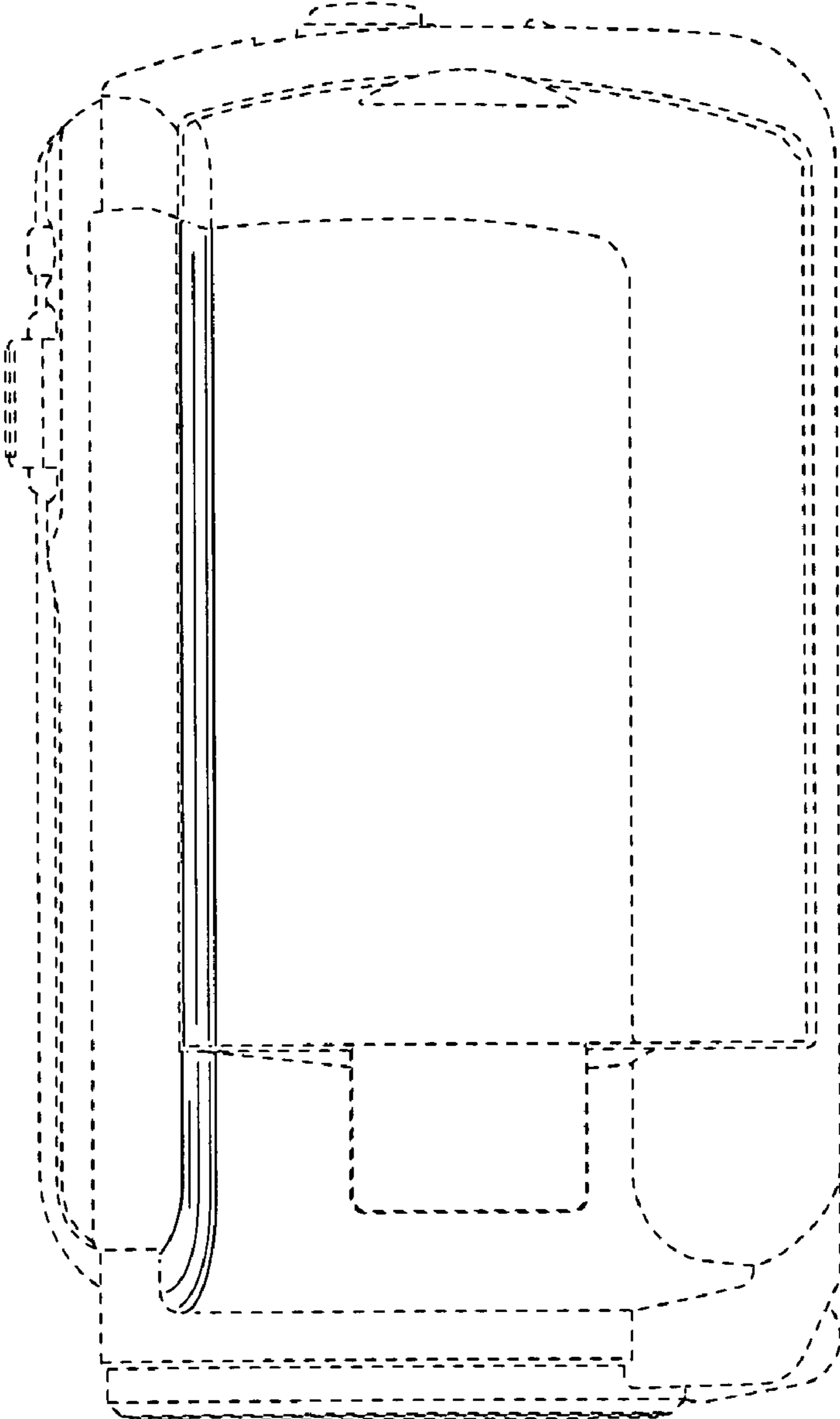


FIG.6

