



US00D628225S

(12) **United States Design Patent**  
**Deurwaarder**

(10) **Patent No.:** **US D628,225 S**  
(45) **Date of Patent:** **\*\* Nov. 30, 2010**

(54) **HOUSING FOR SURVEILLANCE CAMERA**

(75) Inventor: **Wessel Deurwaarder**, Eindhoven (NL)

(73) Assignee: **Robert Bosch GmbH**, Stuttgart (DE)

(\*\*) Term: **14 Years**

(21) Appl. No.: **29/362,352**

(22) Filed: **May 25, 2010**

(30) **Foreign Application Priority Data**

Apr. 14, 2010 (EM) ..... 001208540

(51) **LOC (9) Cl.** ..... **16-01**

(52) **U.S. Cl.** ..... **D16/203**

(58) **Field of Classification Search** ..... D10/106;  
D16/200, 202, 203, 204, 208, 218, 219; 348/143,  
348/373, 375; 396/427, 535-541  
See application file for complete search history.

(56) **References Cited**

**U.S. PATENT DOCUMENTS**

D391,184 S *	2/1998	Kawabata	.....	D10/106
D412,924 S *	8/1999	Hiraguchi	.....	D16/203
D416,273 S *	11/1999	Yamakawa et al.	.....	D16/203
D449,630 S *	10/2001	Rak et al.	.....	D16/203
D452,696 S *	1/2002	Fenton	.....	D16/203
6,678,001 B1 *	1/2004	Elberbaum	.....	348/373

6,715,940 B2 *	4/2004	Top et al.	.....	396/427
D494,992 S *	8/2004	Seo	.....	D16/203
D497,927 S *	11/2004	Arbuckle et al.	.....	D16/203
7,170,560 B2 *	1/2007	Tatewaki et al.	.....	348/375
D564,557 S *	3/2008	Yamamoto et al.	.....	D16/203
D575,810 S *	8/2008	Alm	.....	D16/203
7,661,890 B2 *	2/2010	Basho	.....	396/427

\* cited by examiner

*Primary Examiner*—Adir Aronovich

(74) *Attorney, Agent, or Firm*—Victor A. Henzi

(57) **CLAIM**

The ornamental design for a housing for surveillance camera, as shown and described.

**DESCRIPTION**

FIG. 1 is a front left perspective view of a housing for surveillance camera;

FIG. 2 is a front elevational view thereof;

FIG. 3 is a left elevational view thereof;

FIG. 4 is a rear elevational view thereof;

FIG. 5 is a right elevational view thereof;

FIG. 6 is a top plan view thereof; and,

FIG. 7 is a bottom plan view thereof.

**1 Claim, 7 Drawing Sheets**

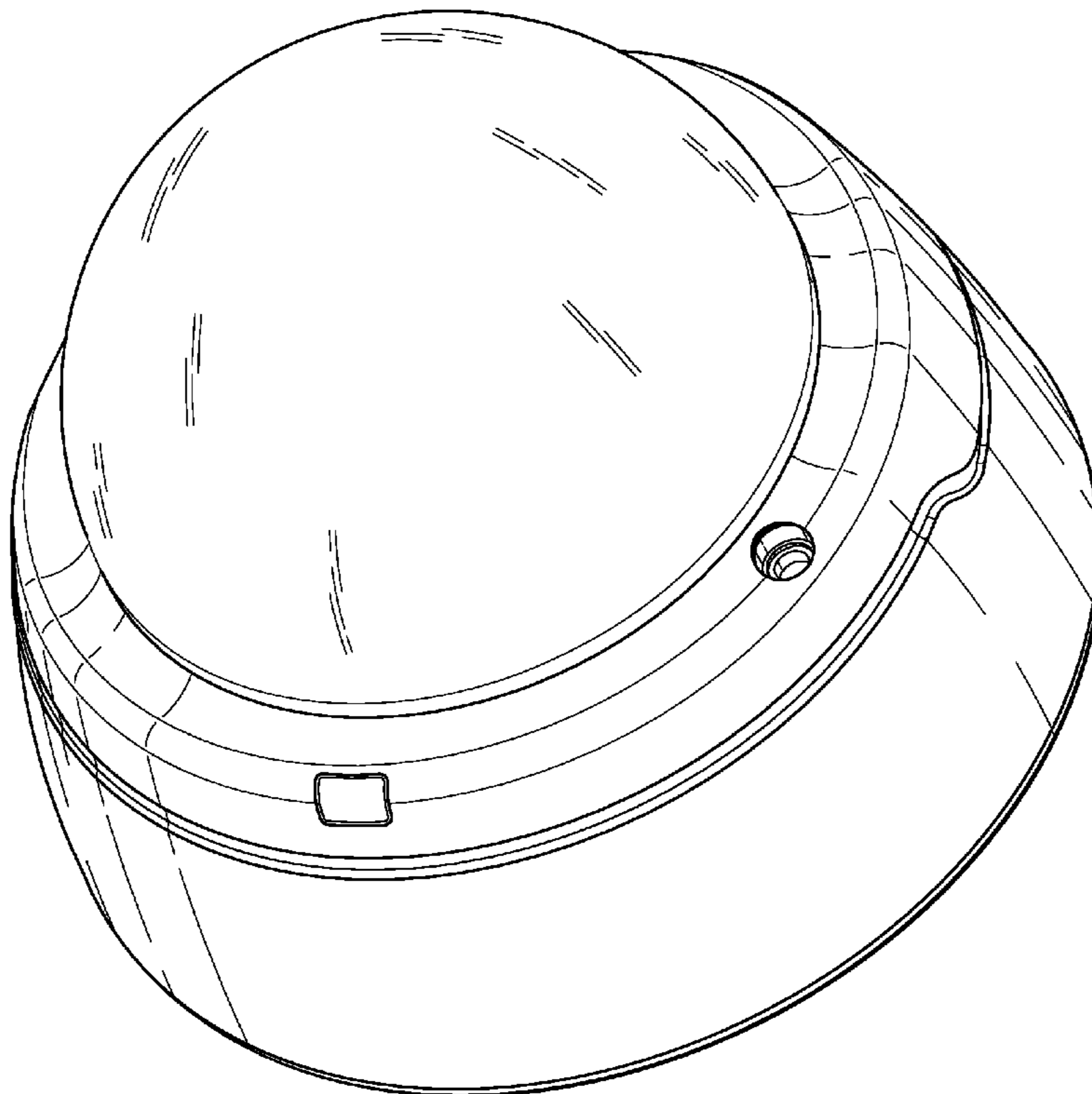
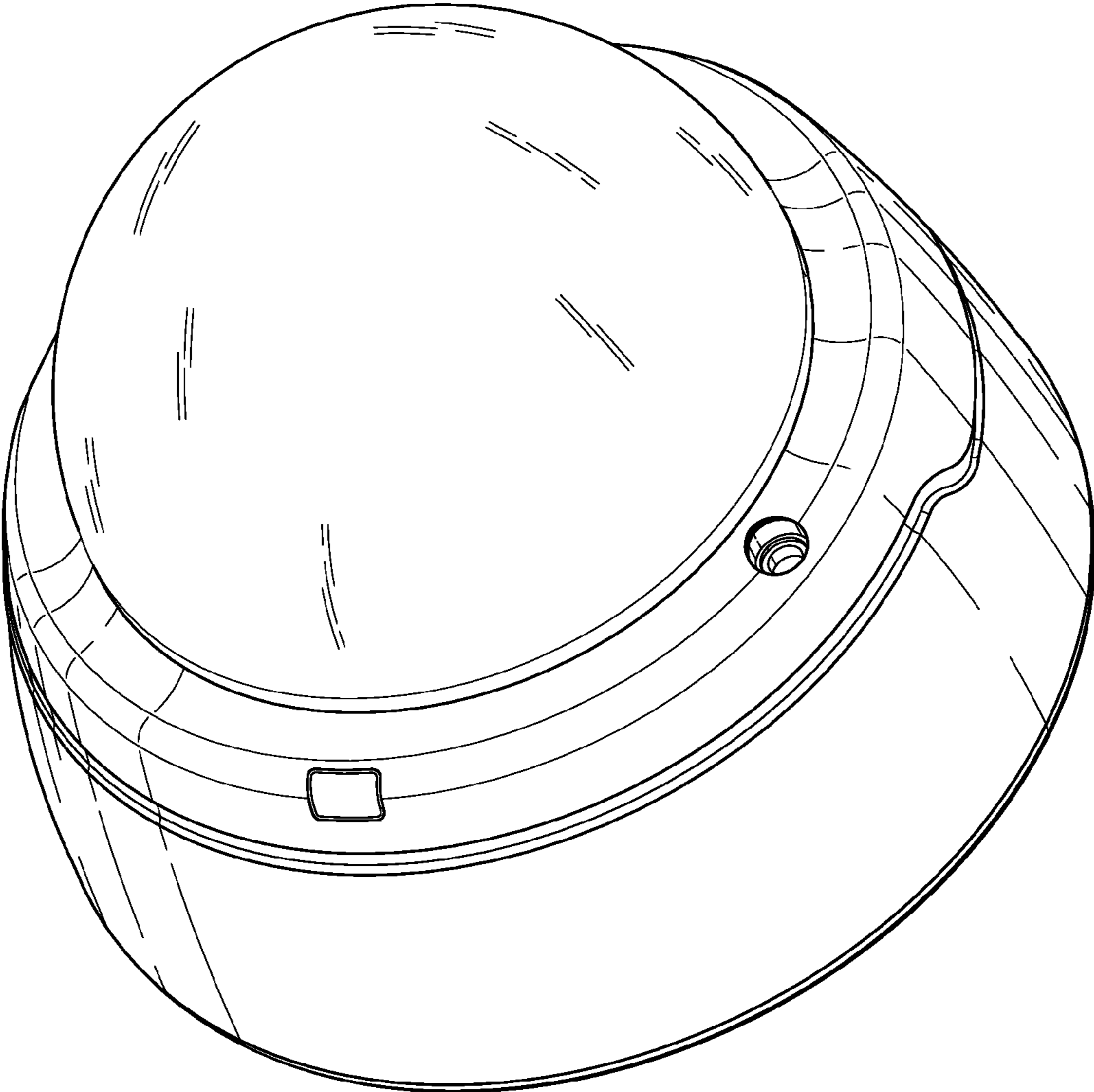
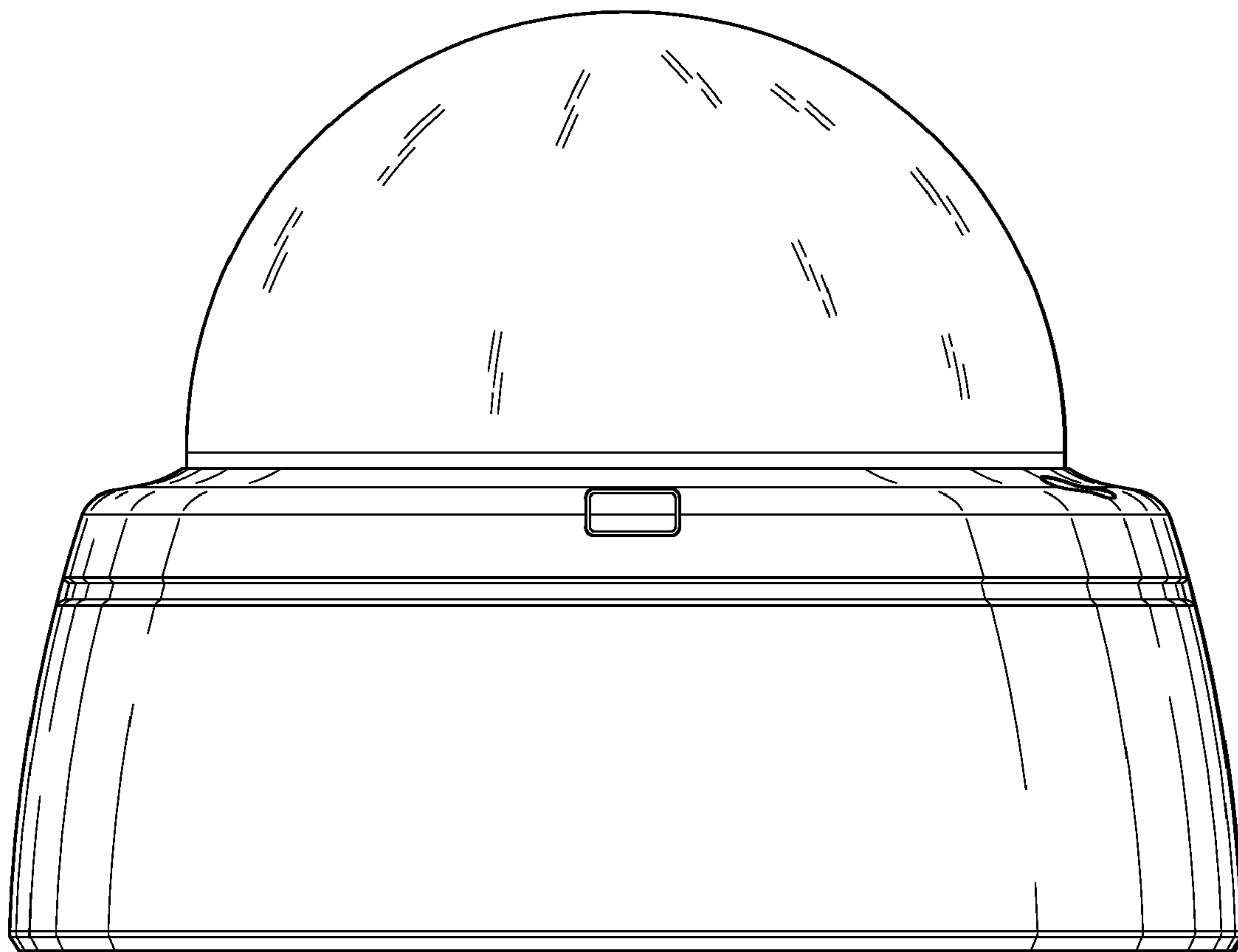


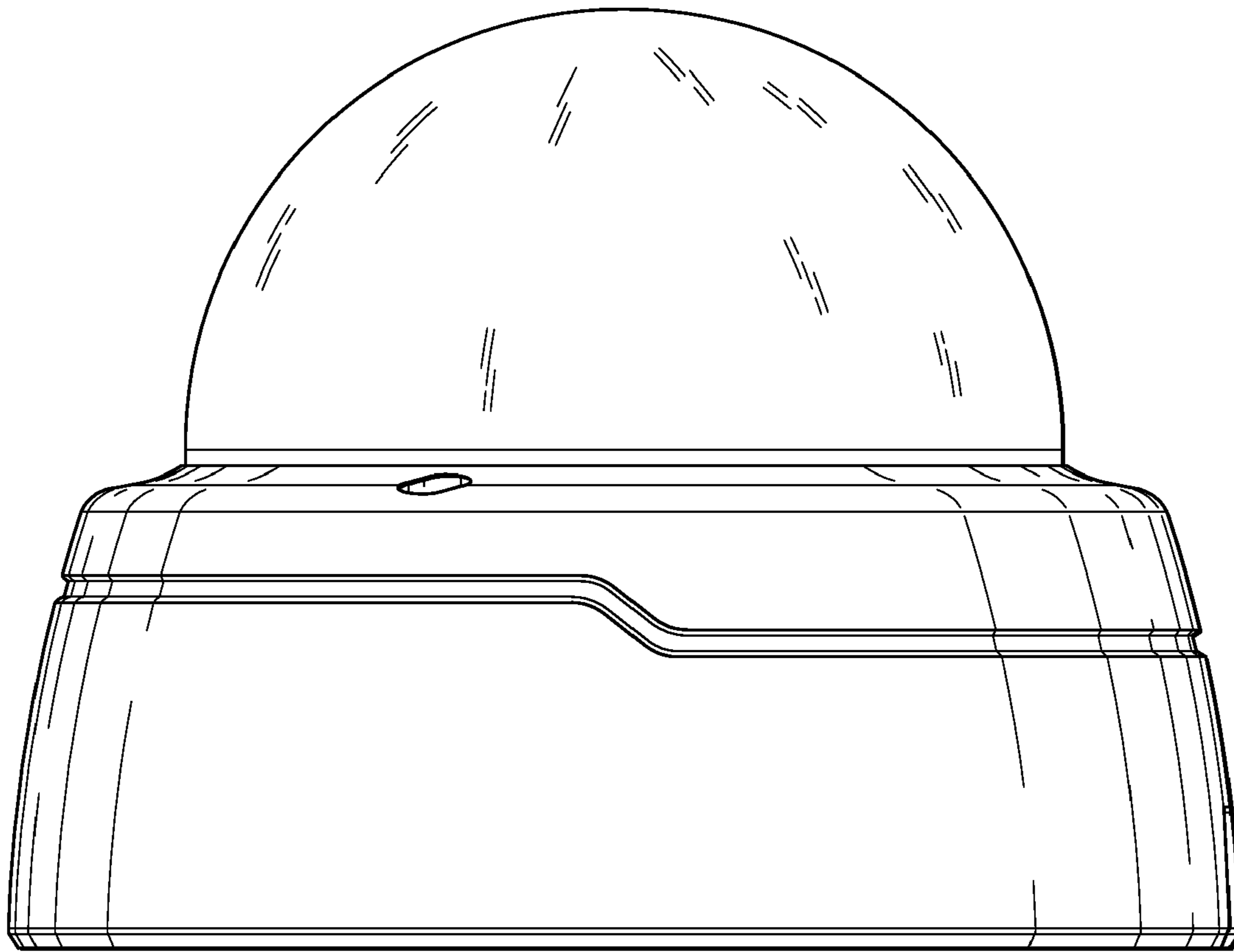
Fig.1



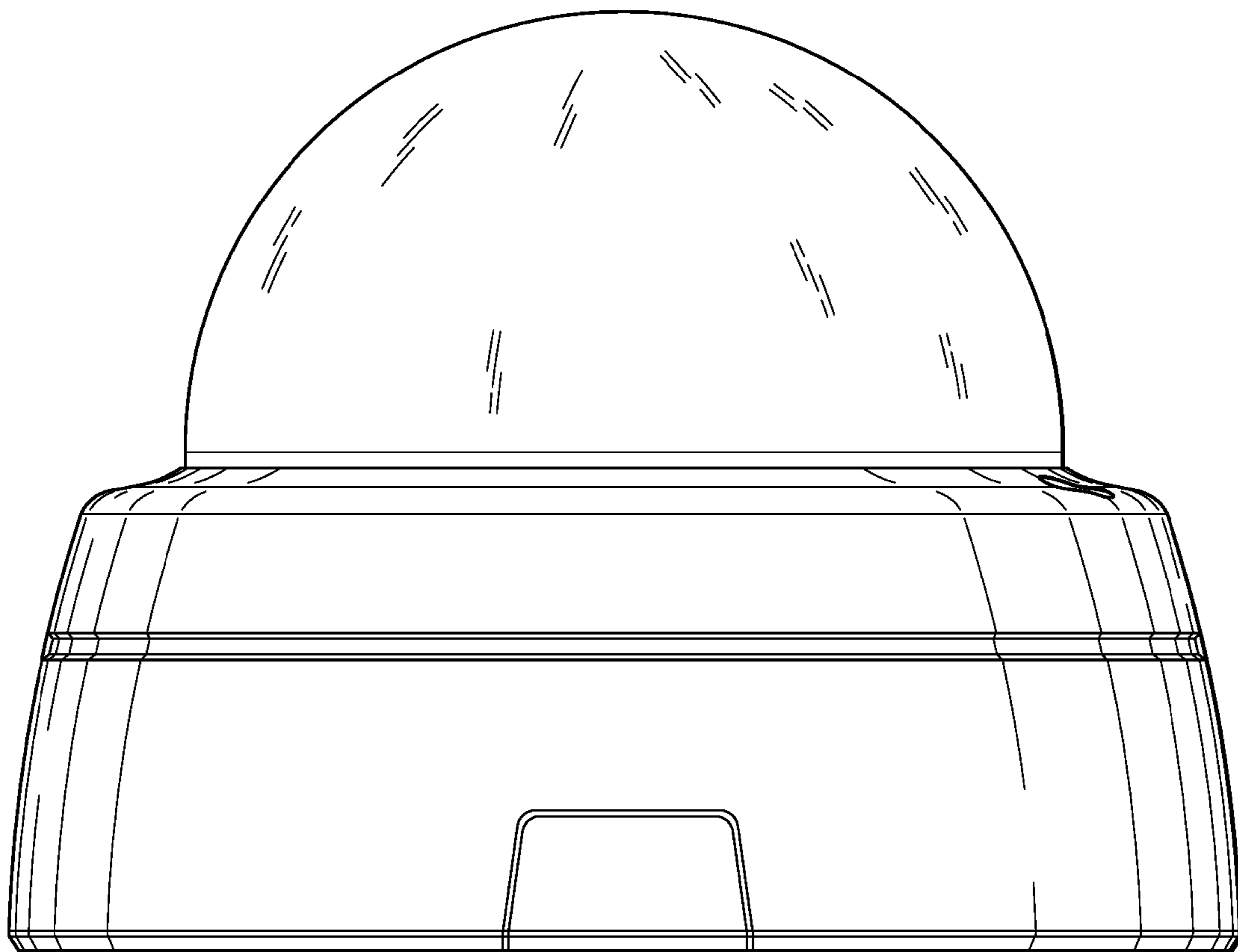
**Fig.2**



**Fig.3**



**Fig.4**



**Fig.5**

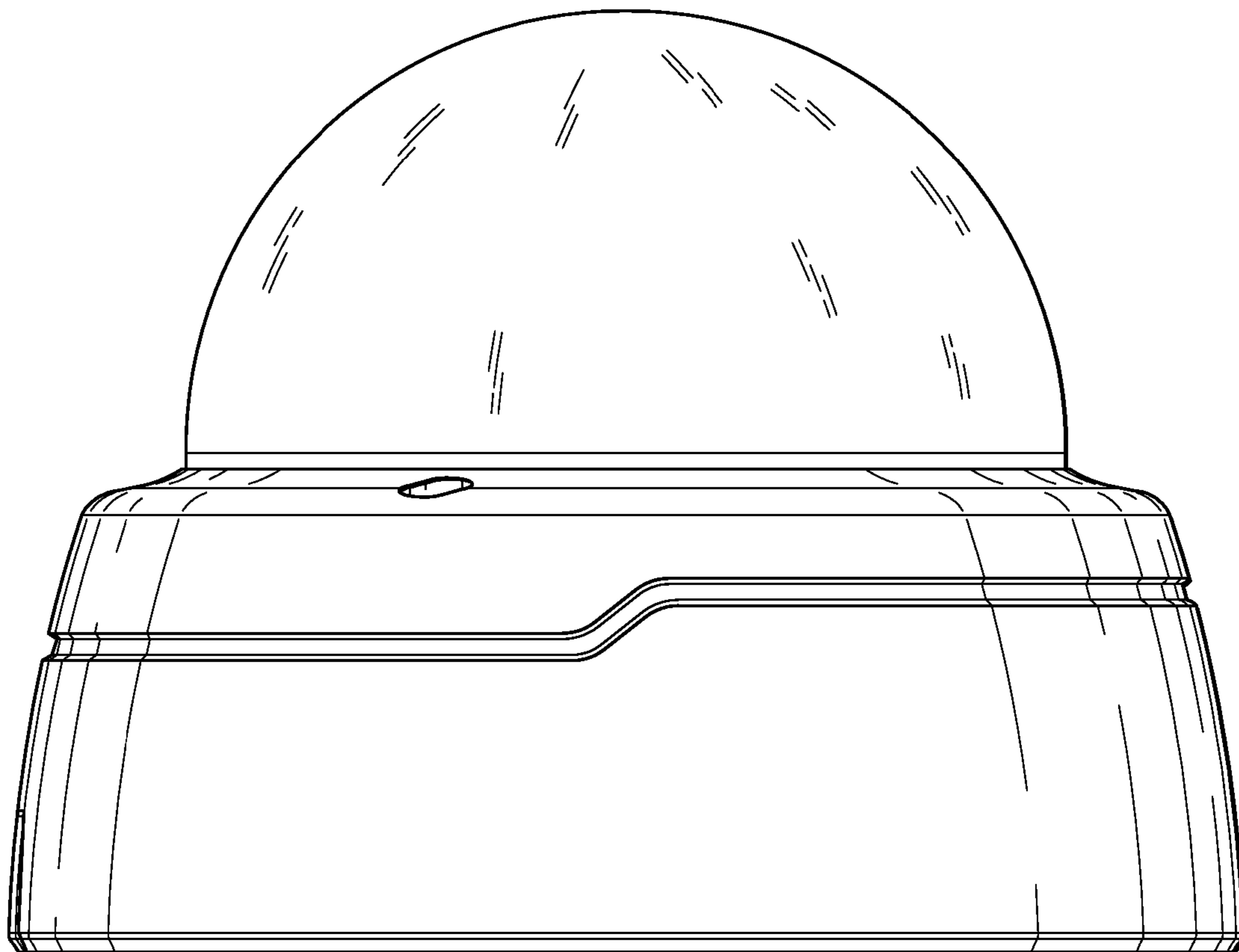


Fig.6

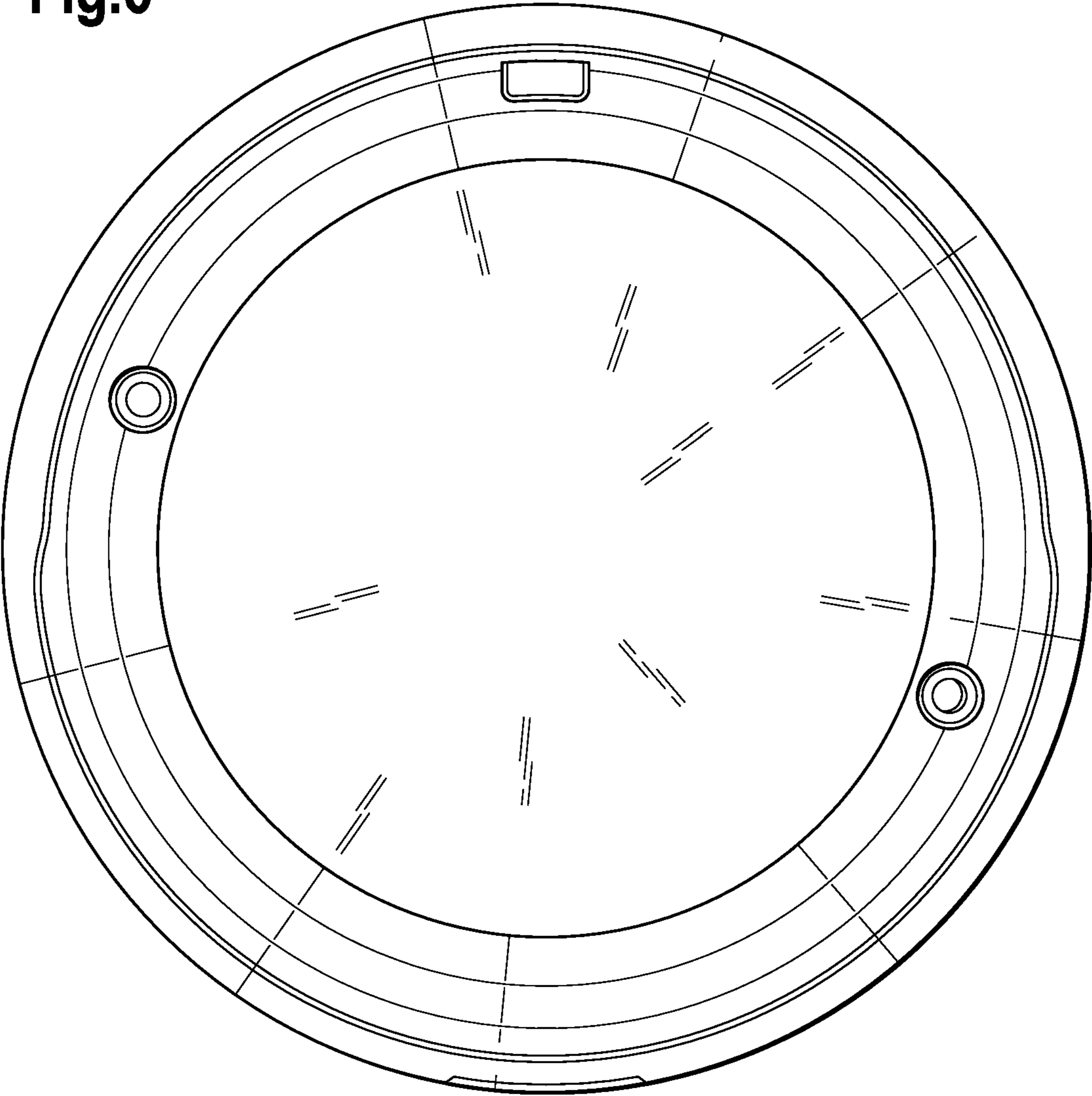


Fig.7

