



US00D628224S

(12) **United States Design Patent**
Barley et al.

(10) **Patent No.:** **US D628,224 S**

(45) **Date of Patent:** **** Nov. 30, 2010**

(54) **WILDLIFE SCOUTING CAMERA**

(75) Inventors: **Christopher B. Barley**, Grand Prairie, TX (US); **James Brandon Roach**, Grand Prairie, TX (US)

(73) Assignee: **WGI Innovations, Ltd.**, Grand Prairie, TX (US)

(**) Term: **14 Years**

(21) Appl. No.: **29/360,485**

(22) Filed: **Apr. 27, 2010**

(51) **LOC (9) Cl.** **16-01**

(52) **U.S. Cl.** **D16/203; D16/218**

(58) **Field of Classification Search** D16/200–204,
D16/208, 218; 348/143, 373–376; 396/427,
396/535–541

See application file for complete search history.

(56) **References Cited**

U.S. PATENT DOCUMENTS

D244,686	S *	6/1977	Hansen	D16/218
6,449,431	B1	9/2002	Cuddeback et al.		
D472,258	S *	3/2003	Yin et al.	D16/202
6,744,980	B2	6/2004	Cuddeback et al.		
6,768,868	B1 *	7/2004	Schnell	396/427
D518,843	S *	4/2006	Tullberg et al.	D16/218
7,066,662	B2	6/2006	Cuddeback et al.		
7,471,334	B1 *	12/2008	Stenger	396/427
7,534,056	B2 *	5/2009	Cross et al.	348/373
D616,009	S *	5/2010	Schnell	D16/218
D622,749	S *	8/2010	Lian	D16/203
2009/0194443	A1	8/2009	Cuddeback		

OTHER PUBLICATIONS

Bushnell, Trail Scout Trail Camera, bushnell.com/products/.../119835/, 3 web pages; Trail Sentry Trail Camera, bushnell.com/products/.../trail-sentry/, 2 web pages; Birding Camera Trail Camera, bushnell.com/products/.../119204B/, 3 web pages; Trophy Cam Trail Camera, bushnell.com/products/.../trophy-cam/, 3 web pages, Feb. 26, 2010.

Cuddeback, Digital Scouting Cameras, Model Comparisons Chart, Capture, Capture IR, NoFlash, Expert, Excite Cameras, cuddeback.com/comparison_chart.html, 7 web pages, Feb. 26, 2010.

Moultrie, Game Spy Flash Digital Trail Cameras, moultriefeeders.com/catalog.aspx?cati..., 2 web pages; Game Spy I-45 and GPS Game Spy Connect Combo, 2 web pages; Game Spy I45 Digital Game Camera with Instructions, 8 web pages; Game Spy I40 Digital Trail Camera with Instructions, 11 web pages; Game Spy I-65 and GPS Game Spy Connect Combo, 2 web pages; Game Spy I65 Digital Trail Camera with Instructions, 6 web pages, moultriefeeders.com/productdetail.asp...; Game Spy Digital Infrared Trail Cameras with Instructions for Game Spy I60 Digital Game Camera, moultriefeeders.com/catalog.aspx?cati...12 web pages, Feb. 26, 2010.

(Continued)

Primary Examiner—Adir Aronovich

(74) *Attorney, Agent, or Firm*—Geoffrey A. Mantooth

(57) **CLAIM**

The ornamental design for a wildlife scouting camera, as shown and described.

DESCRIPTION

FIG. 1 is a front, top and left side perspective view of a wildlife scouting camera showing our new design;

FIG. 2 is a front, bottom and right side perspective view thereof;

FIG. 3 is front elevational view thereof;

FIG. 4 is a rear elevational view thereof;

FIG. 5 is a top plan view thereof;

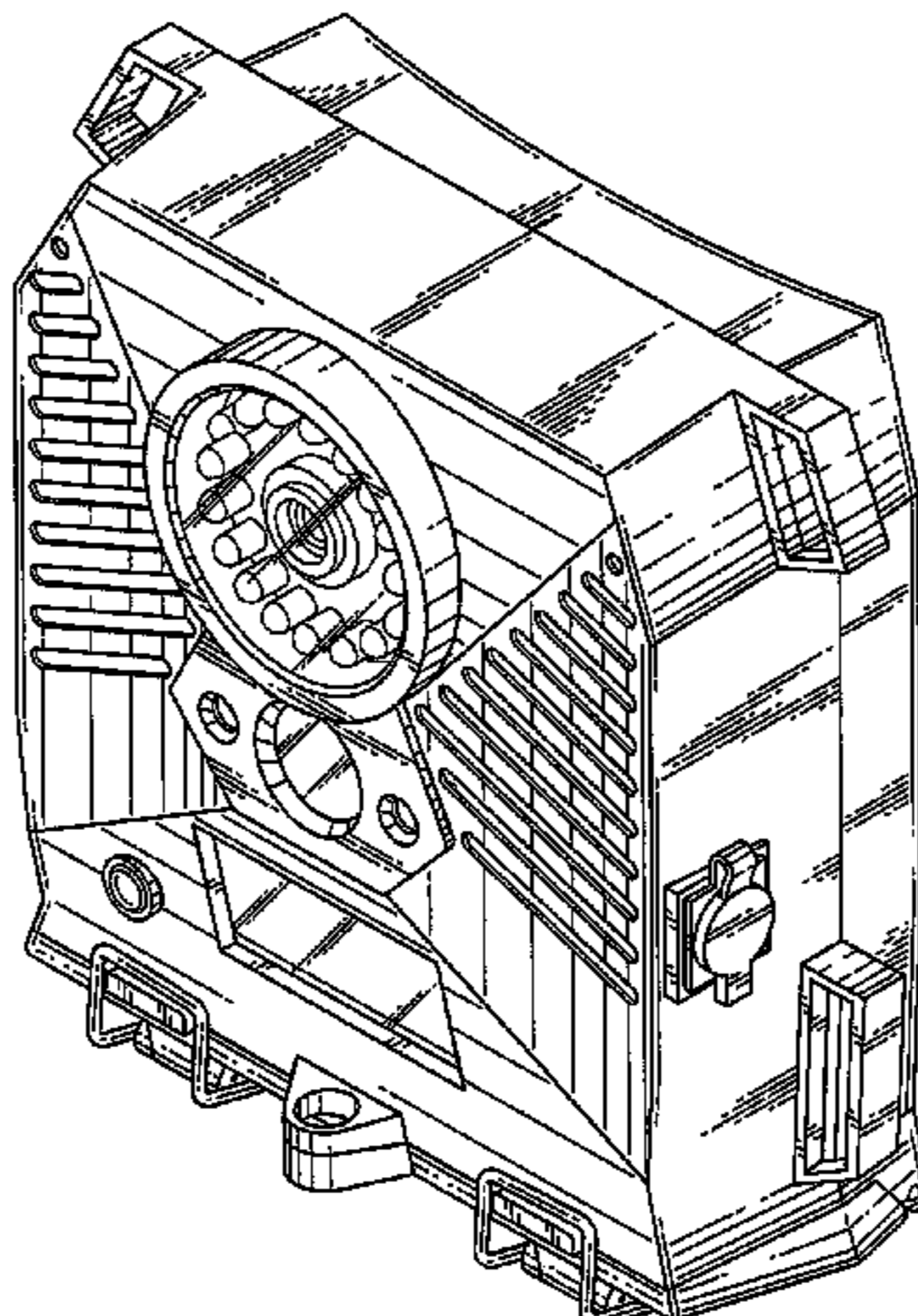
FIG. 6 is a bottom plan view thereof;

FIG. 7 is a right side elevational view thereof; and,

FIG. 8 is a left side elevational view thereof.

The portions of the article in broken lines are shown for illustrative purposes only and form no part of the claim design.

1 Claim, 7 Drawing Sheets



OTHER PUBLICATIONS

Buckeye Cam, Apollo Camera Kit, Apollo XIR Camera Kit, Buckeye Orion X and XIR, buckeyecam.com/main/details.php?id..., 6 web pages, Feb. 26, 2010.

Predator Trail Cams-Predator Xtinction, 1 web page <http://www.predatortrailcams.com/index.php?page=modules/pages/index&id=43>; Predator Evolution XR, 2 web pages, <http://www.predatortrailcams.com/index.php?page=modules/pages/index&id=42>, Apr. 26, 2010.

Leaf River Outdoor Products, List of Cameras, Instruction Book for DV-5 & DV-7SS, <http://www.myleafriver.com/index.php...>, 18 web pages, Feb. 26, 2010.

Recon Outdoors, Mossy Oak Extreme 5.0MP Camera, 2 web pages; User's Manual for Talon IR, Talon 3.0MP, Extreme 5.0MP, 17 web

pages, www.reconoutdoors.com/talon_ext.htm; Mossy Oak Viper 4.0 & 2.1MP Cameras, www.reconoutdoors.com/viper.htm, 1 web page, Feb. 26, 2010.

Stealth Cam, Prowler Camera, 2 web pages, stealthcam.net/.../sc_prodler_hd.html; Sniper Pro Camera, 2 web pages, stealthcam.net/HTML/sc_sniper_pro.html; Rogue IR Camera, 2 web pages, stealthcam.net/HTML/sc_rogue_ir.html; Nomad IR Camera, 2 web pages, stealthcam.net/HTML/sc_nomad_ir.html, Feb. 26, 2010.

Wildview Xtreme Series, wildviewcam.com/product_xt_intro.html, 1 web page; Wildview EZ-Cam Digital Flash Scouting Camera, wildviewcam.com/.../bubba_cam_1.html, 1 web page, Apr. 19, 2010.

* cited by examiner

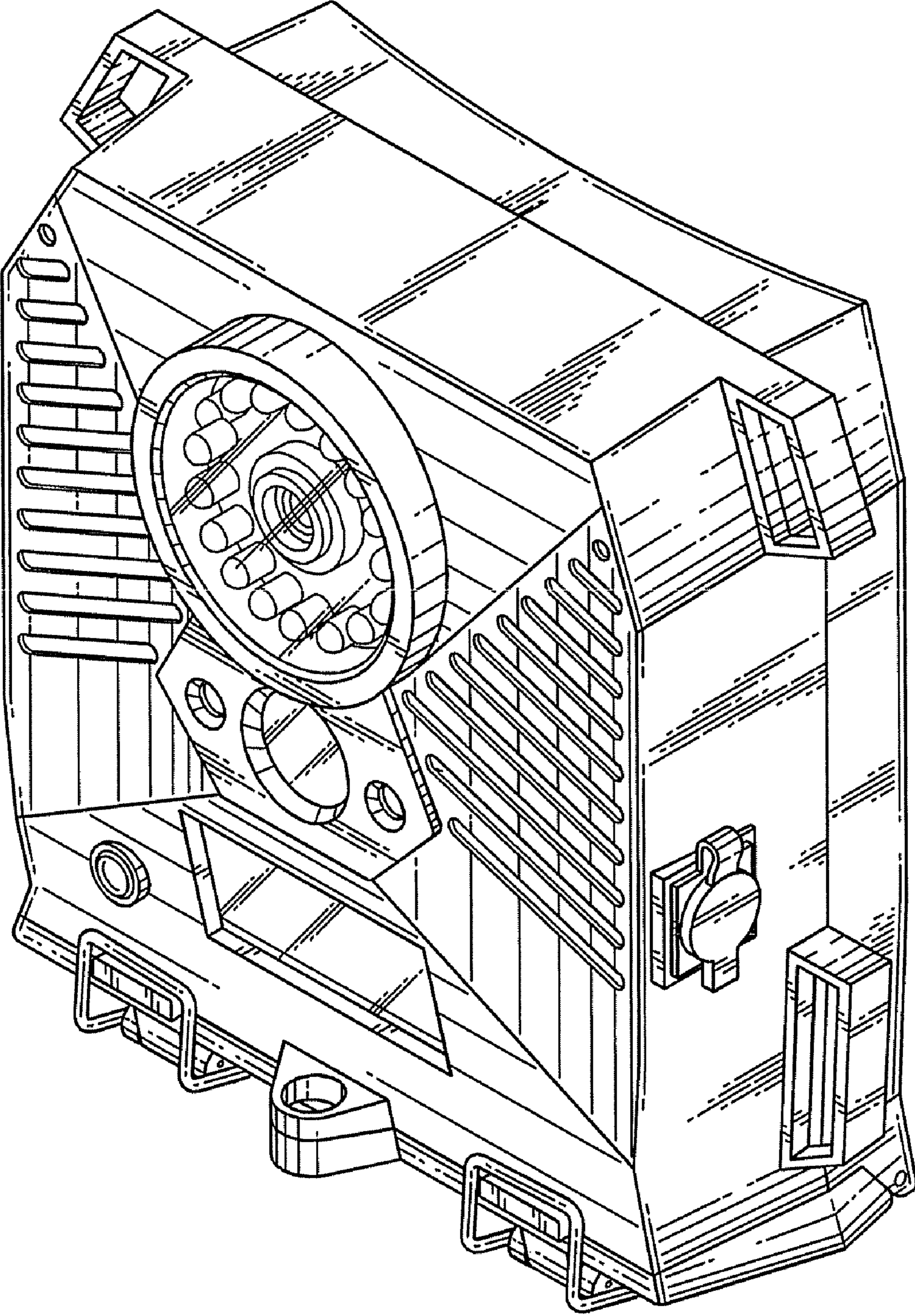


Fig. 1

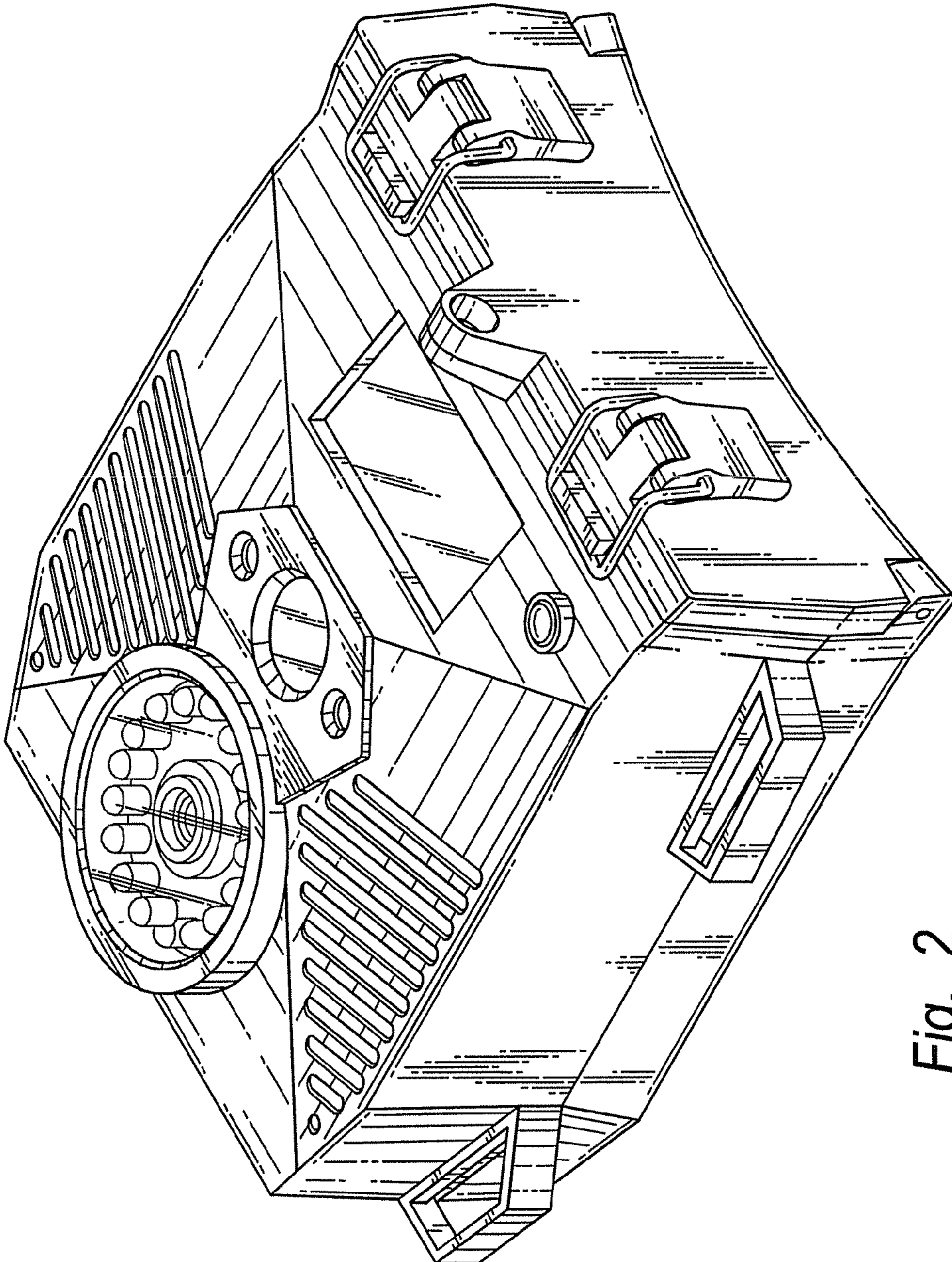


Fig. 2

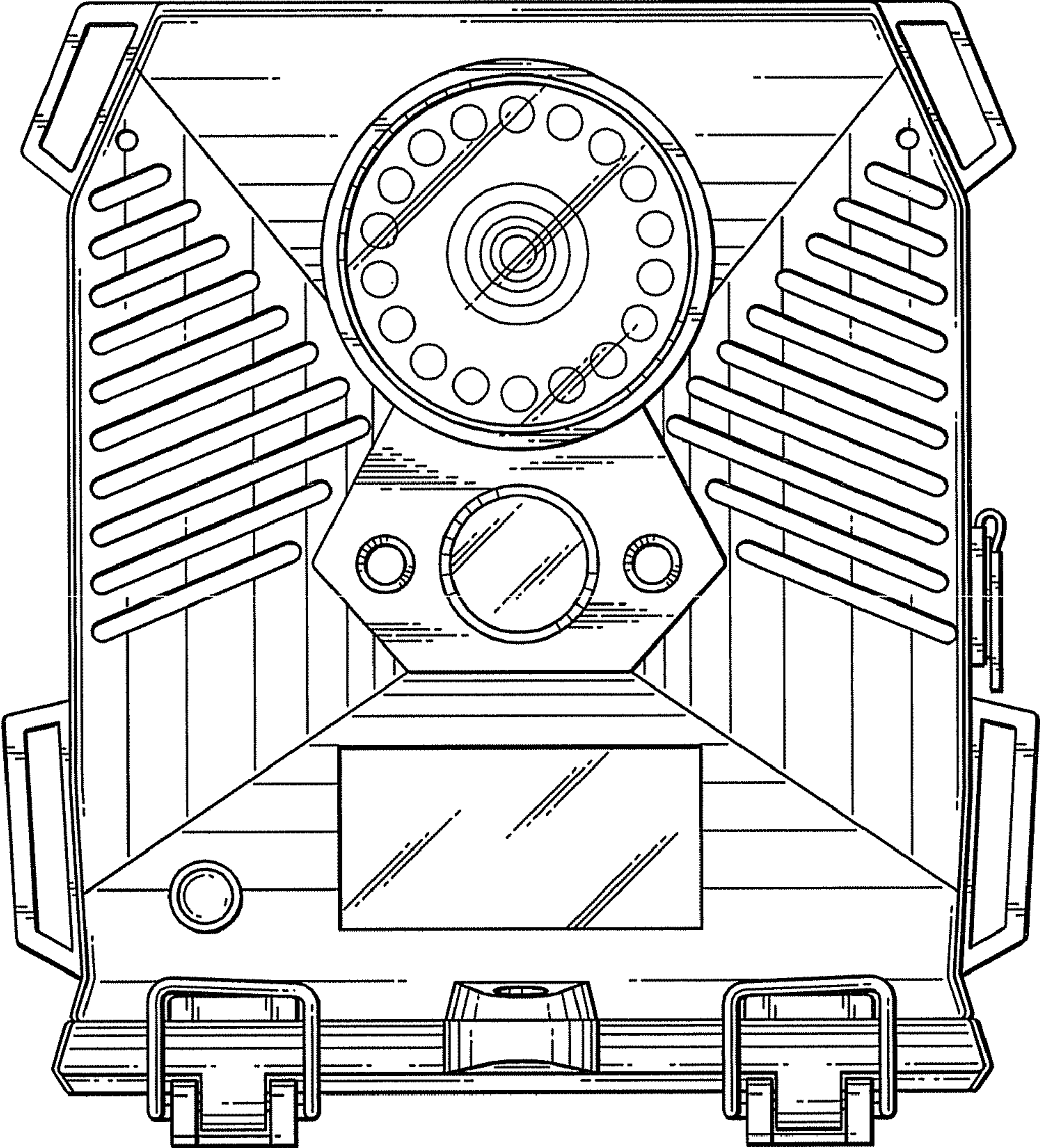


Fig. 3

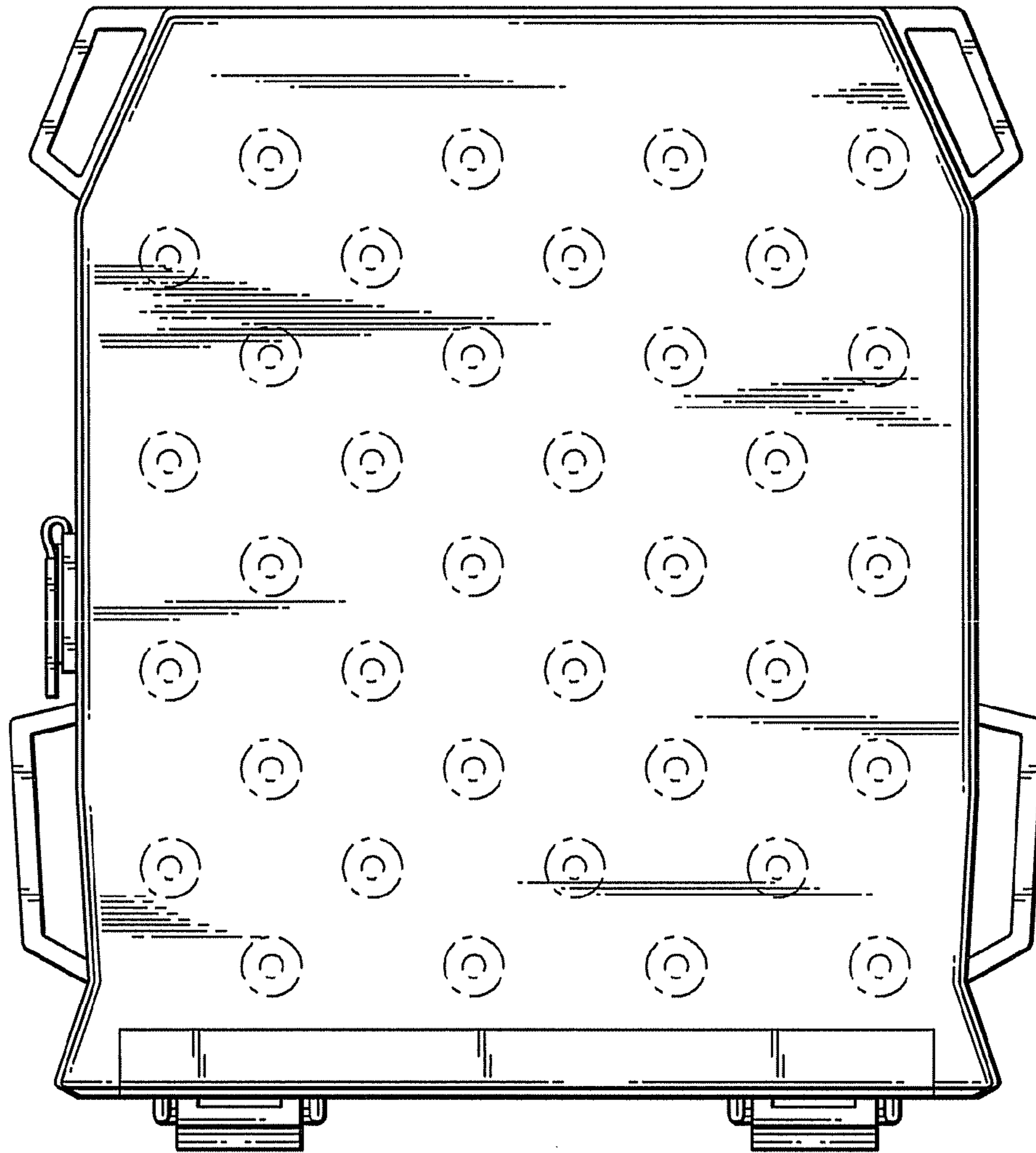


Fig. 4

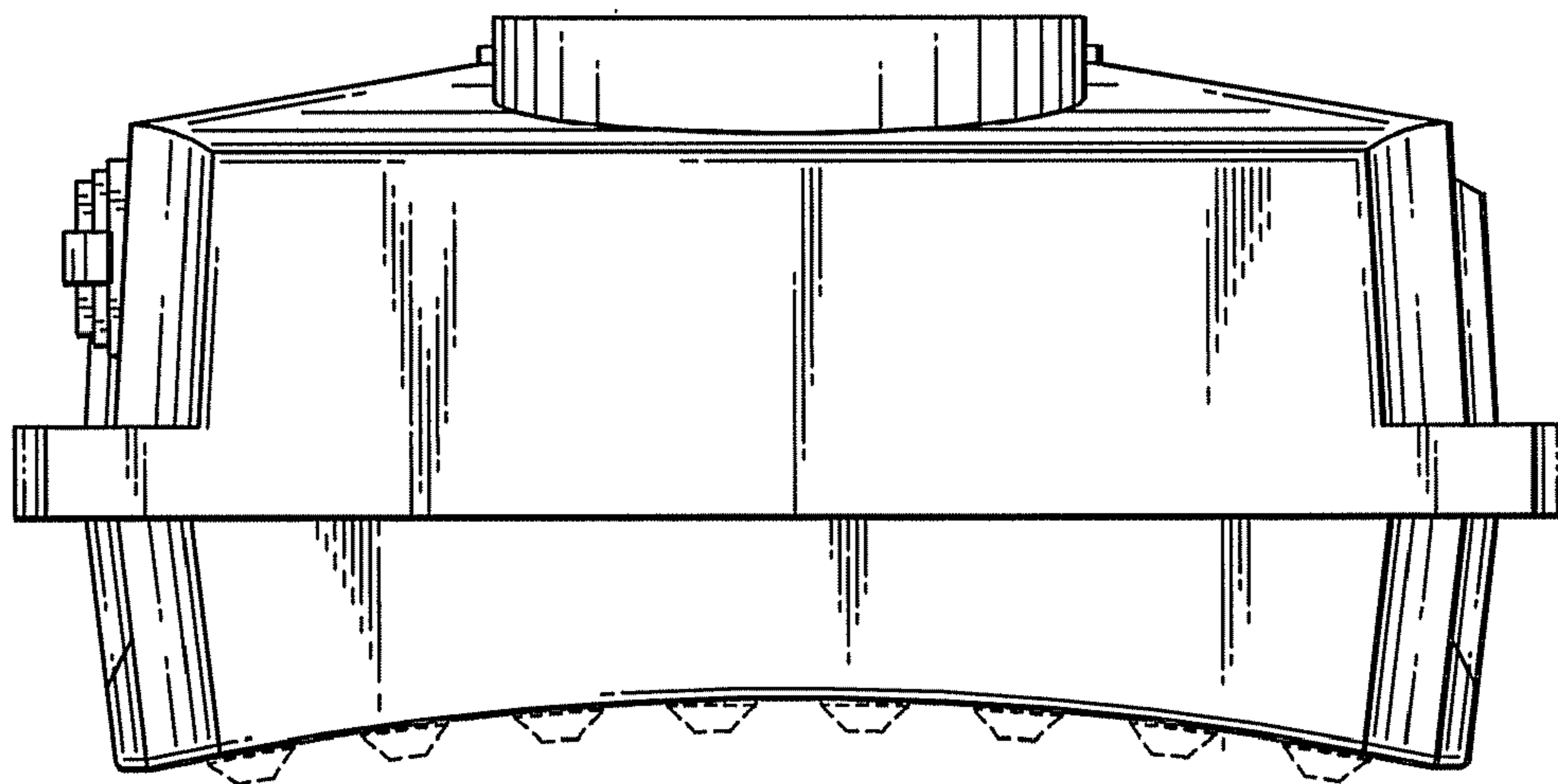


Fig. 5

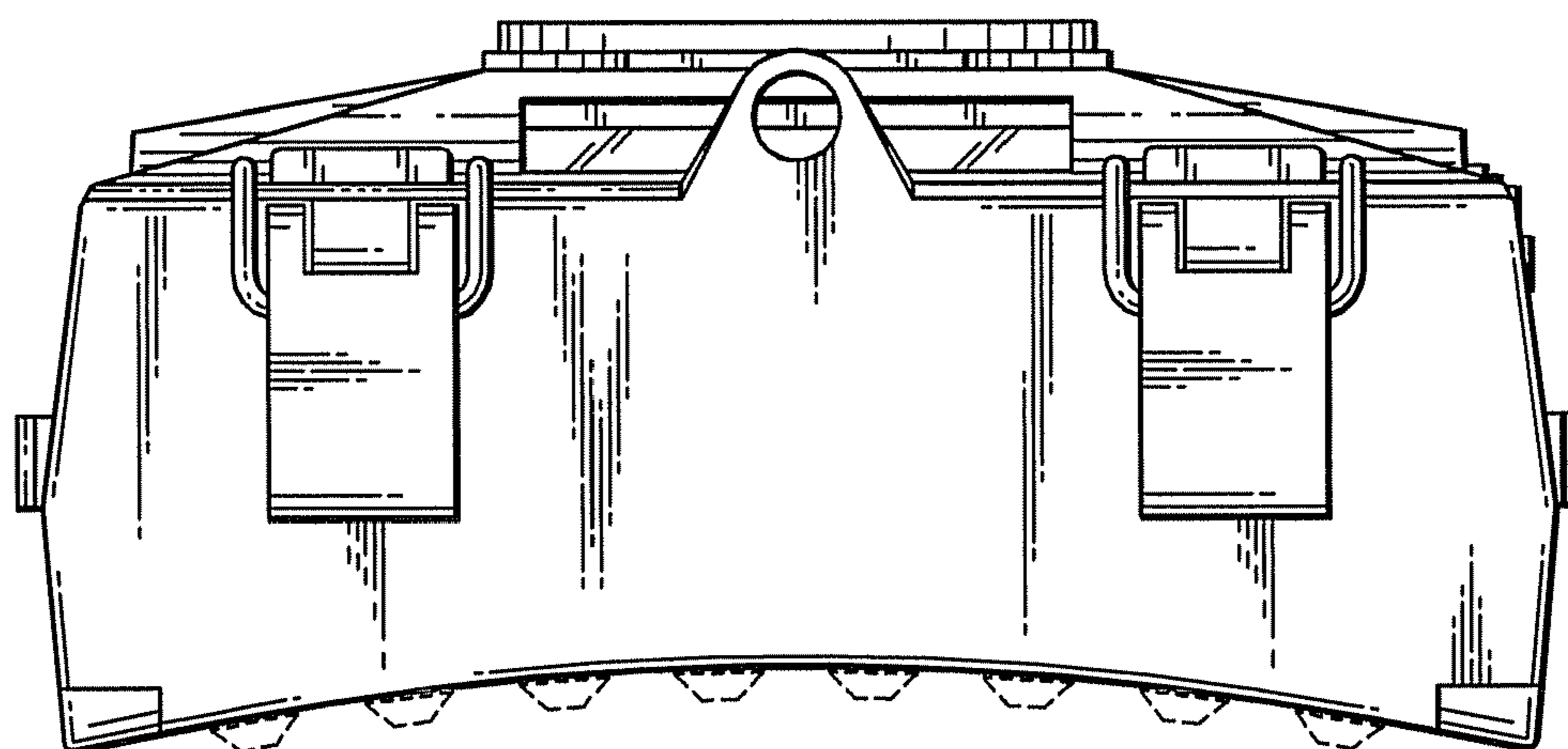


Fig. 6

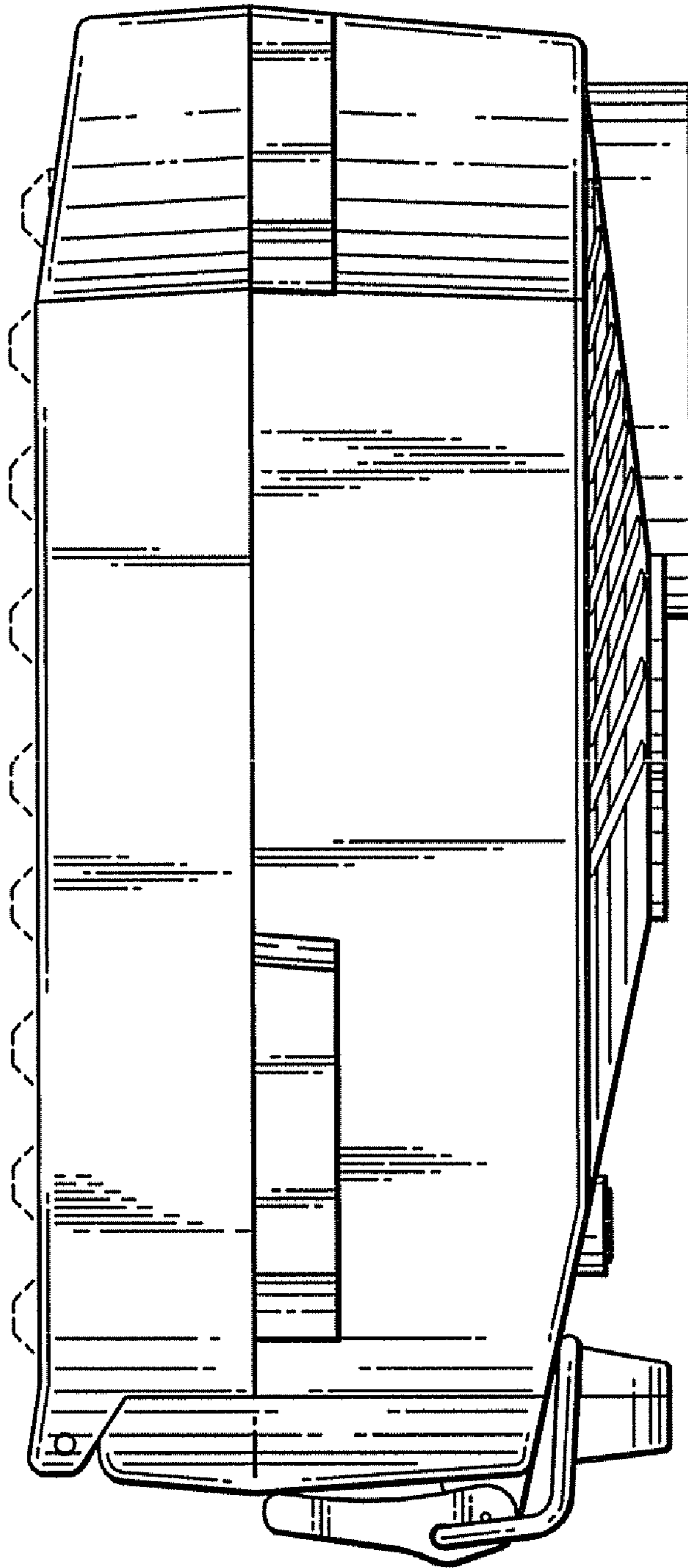


Fig. 7

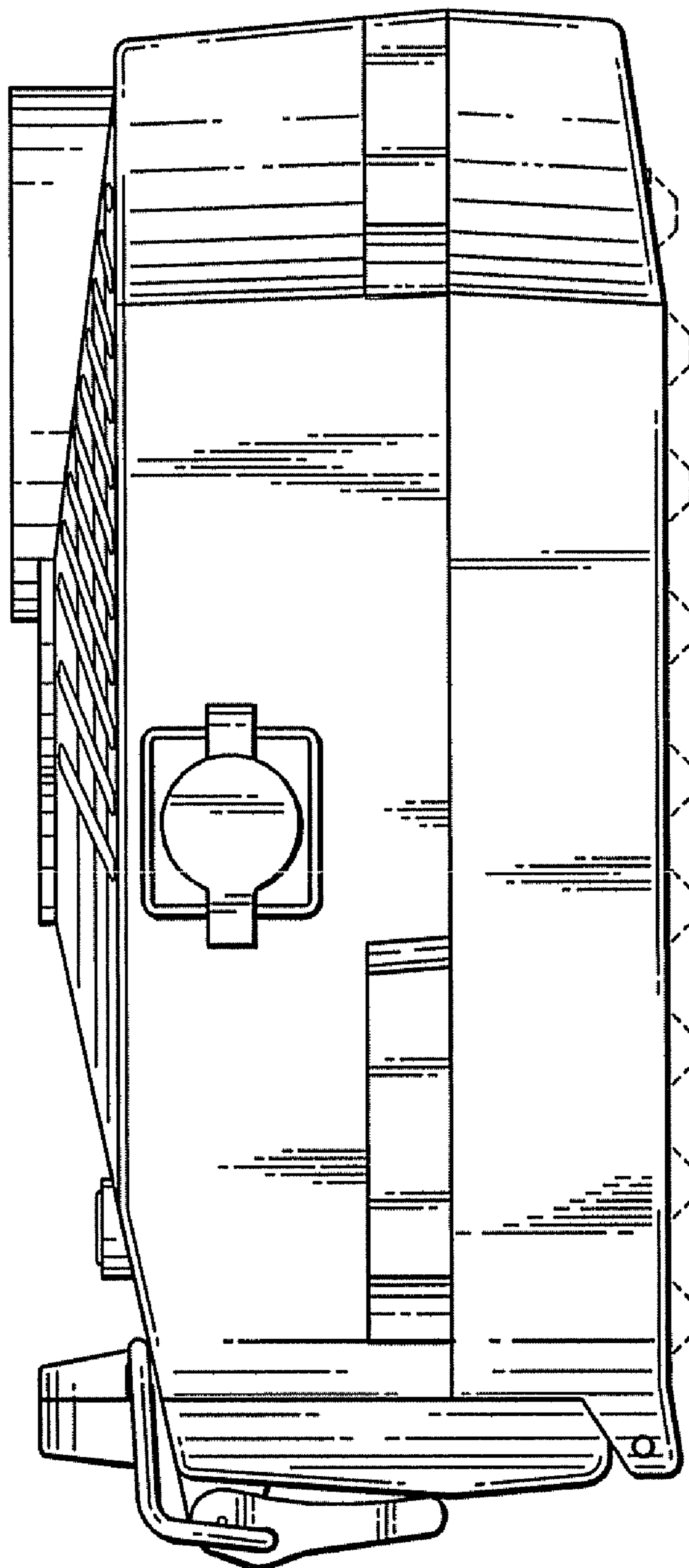


Fig. 8