



US00D628223S

(12) **United States Design Patent**  
**Kao et al.**

(10) **Patent No.:** **US D628,223 S**

(45) **Date of Patent:** **\*\* Nov. 30, 2010**

(54) **WEBCAM**

(75) Inventors: **Hsing-Yi Kao**, Tu-Cheng (TW);  
**Kun-Wei Tsai**, Tu-Cheng (TW)

(73) Assignee: **Cheng Uei Precision Industry Co., Ltd.**, Tu-Cheng, Taipei Hsien (TW)

(\*\*) Term: **14 Years**

(21) Appl. No.: **29/350,618**

(22) Filed: **Nov. 19, 2009**

(51) **LOC (9) Cl.** ..... **16-01**

(52) **U.S. Cl.** ..... **D16/202**

(58) **Field of Classification Search** ..... D16/200,  
D16/202, 203, 204, 208, 218; 348/373, 375;  
396/535-541

See application file for complete search history.

(56) **References Cited**

**U.S. PATENT DOCUMENTS**

D349,911 S *	8/1994	Shimizu et al.	.....	D16/203
D395,056 S *	6/1998	Delaey	.....	D16/203
D485,853 S *	1/2004	Daniels	.....	D16/203
D491,972 S *	6/2004	Heath	.....	D16/225

D554,168 S *	10/2007	Shi et al.	.....	D16/202
D554,682 S *	11/2007	Martinez et al.	.....	D16/203

\* cited by examiner

*Primary Examiner*—Adir Aronovich

(74) *Attorney, Agent, or Firm*—Cheng-Ju Chiang

(57) **CLAIM**

The ornamental design for a webcam, as shown and described.

**DESCRIPTION**

FIG. 1 is a perspective view of a webcam showing our new design;

FIG. 2 is a front elevational view thereof;

FIG. 3 is a rear elevational view thereof;

FIG. 4 is a left side elevational view thereof;

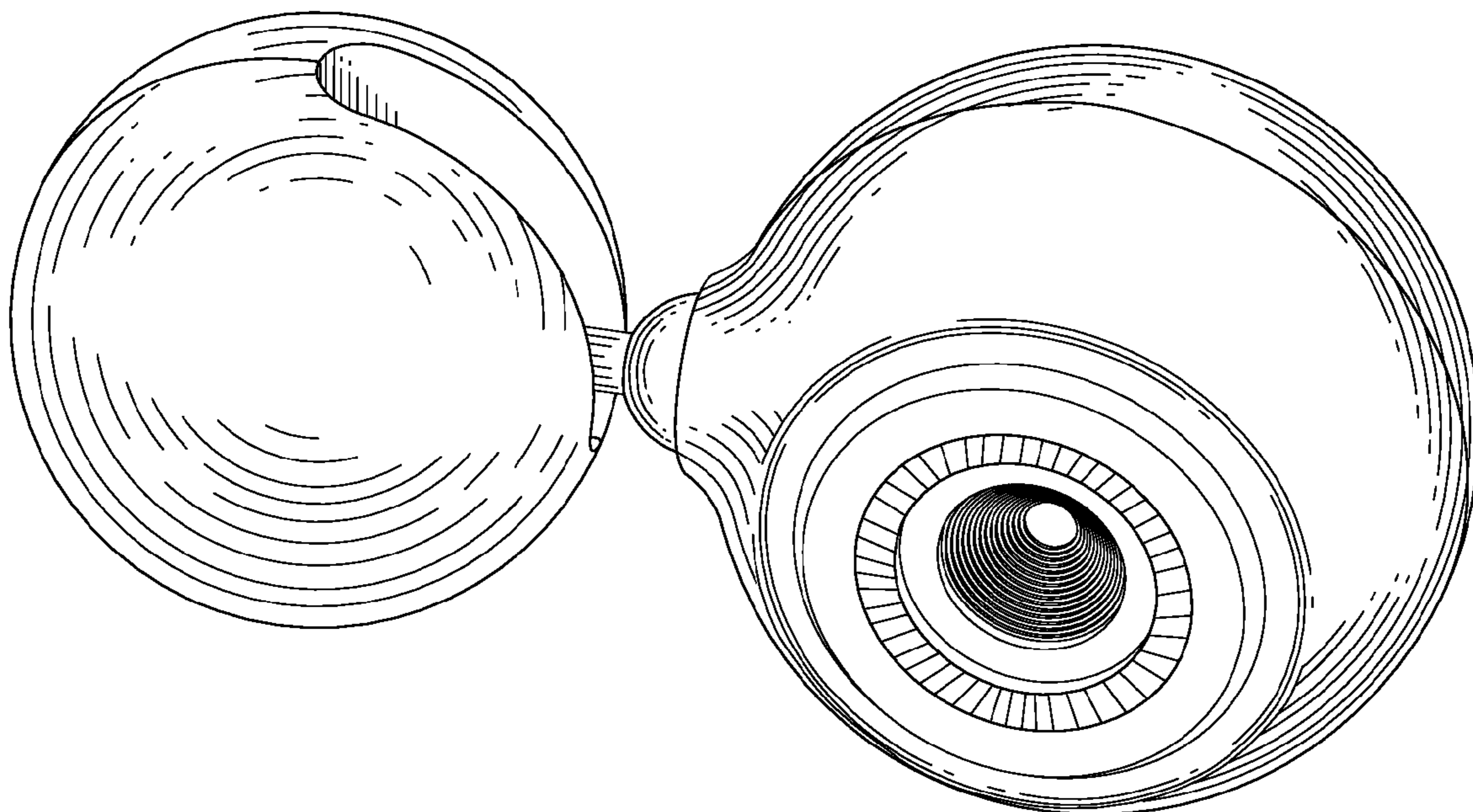
FIG. 5 is a right side elevational view thereof;

FIG. 6 is a top plan view thereof; and,

FIG. 7 is a bottom plan view thereof.

The broken lines in the FIG. 6 are shown for illustrative purposes only and form no part of the claimed design.

**1 Claim, 7 Drawing Sheets**



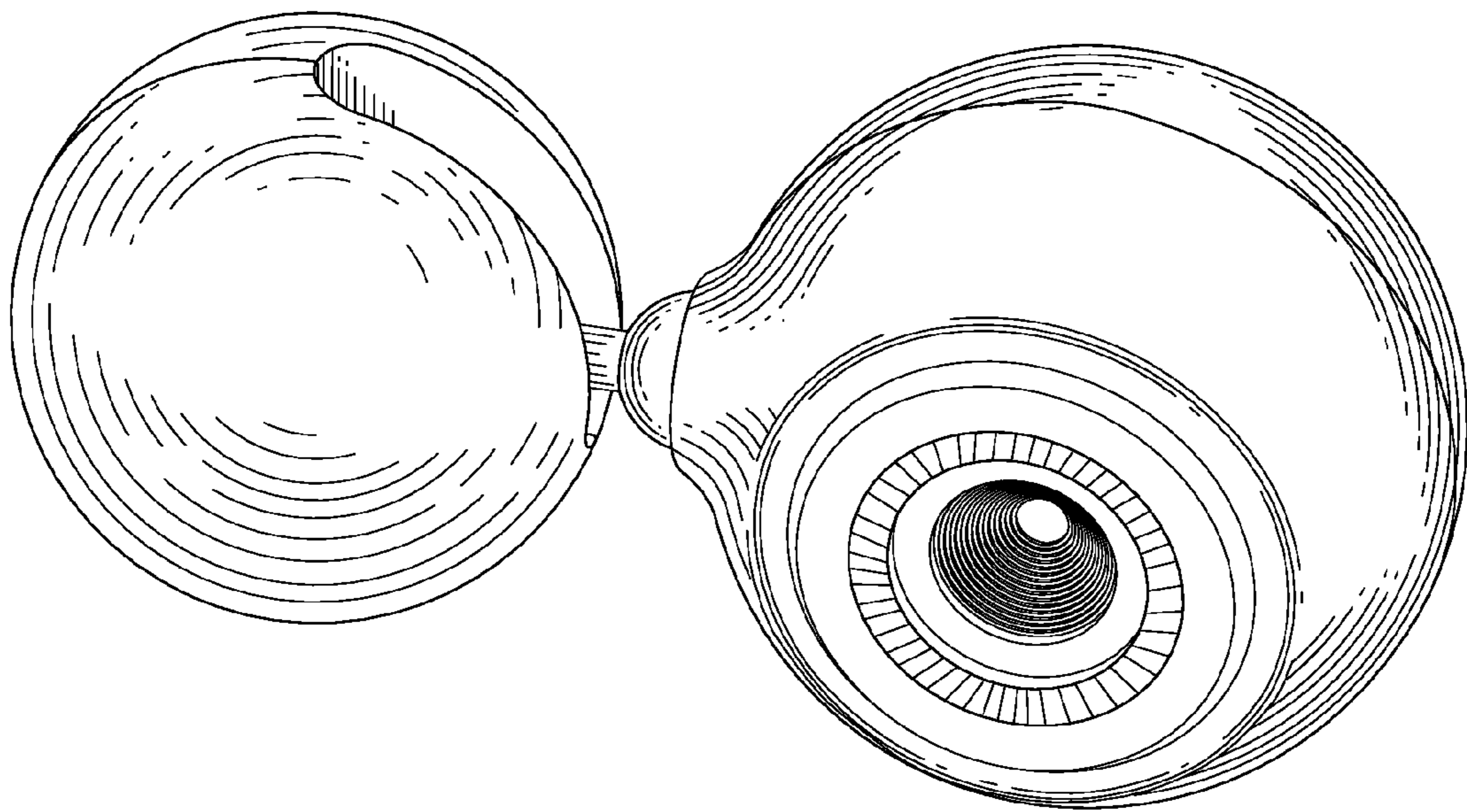


FIG. 1

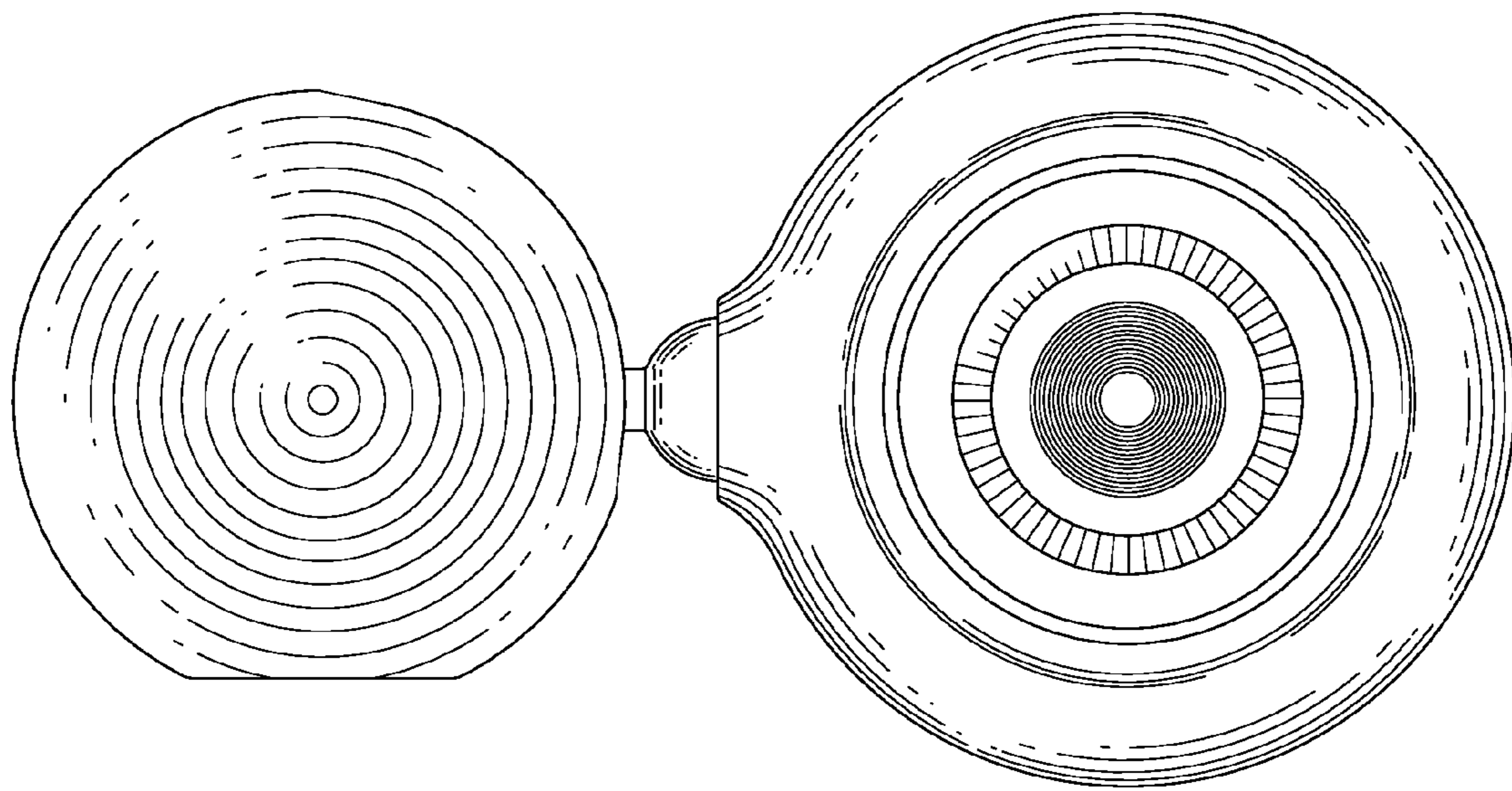


FIG. 2



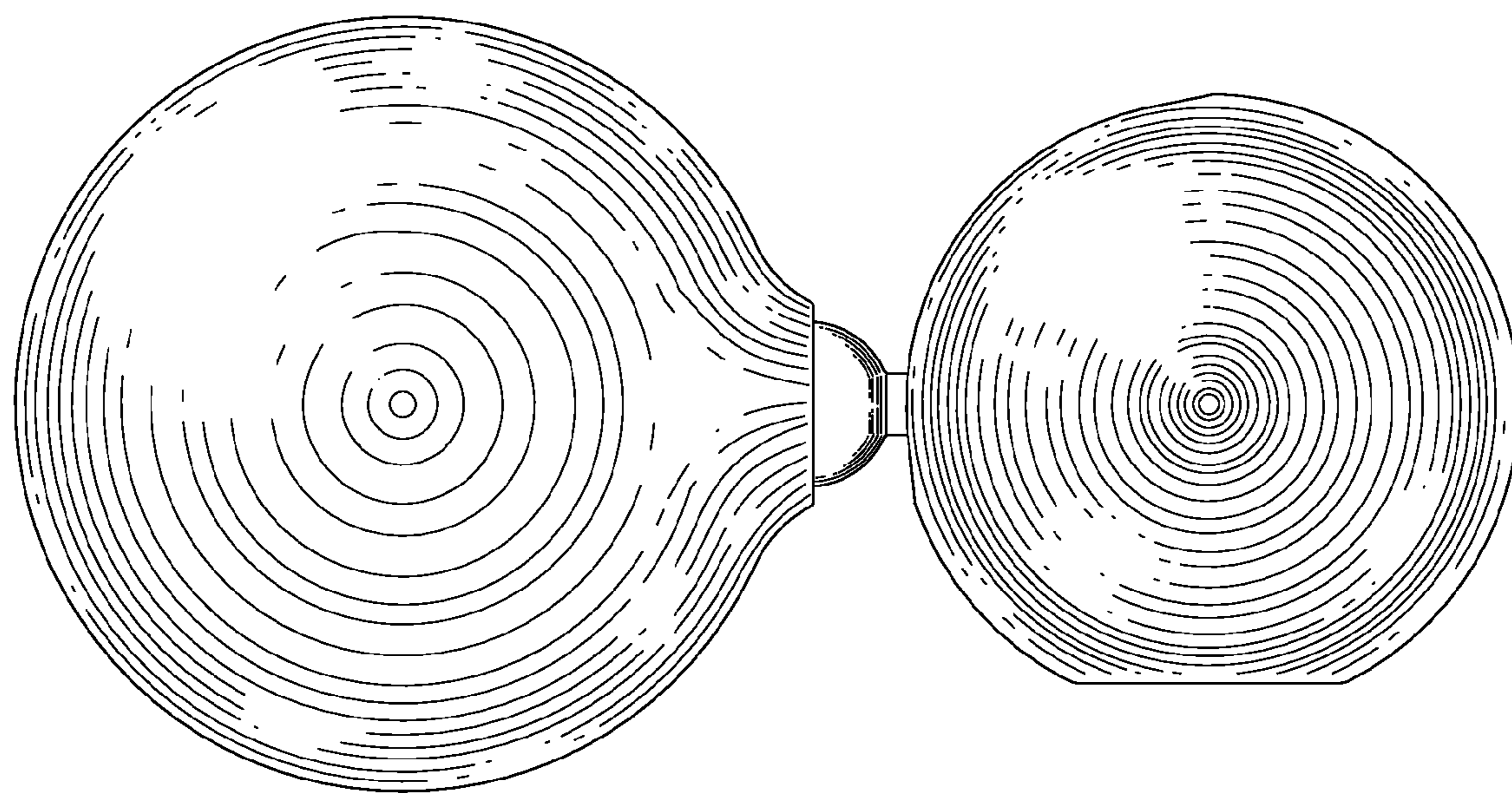


FIG. 3

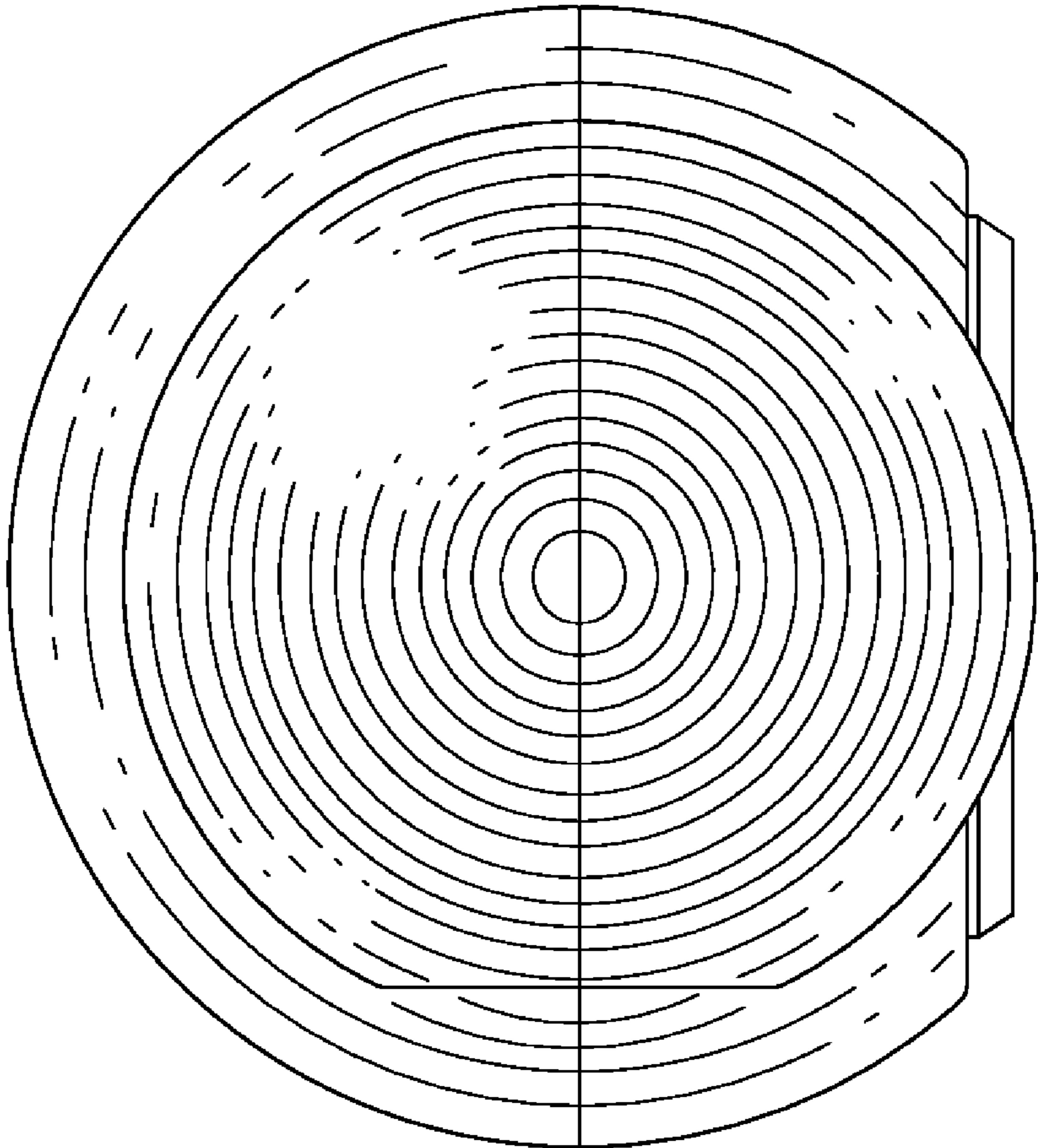


FIG. 4

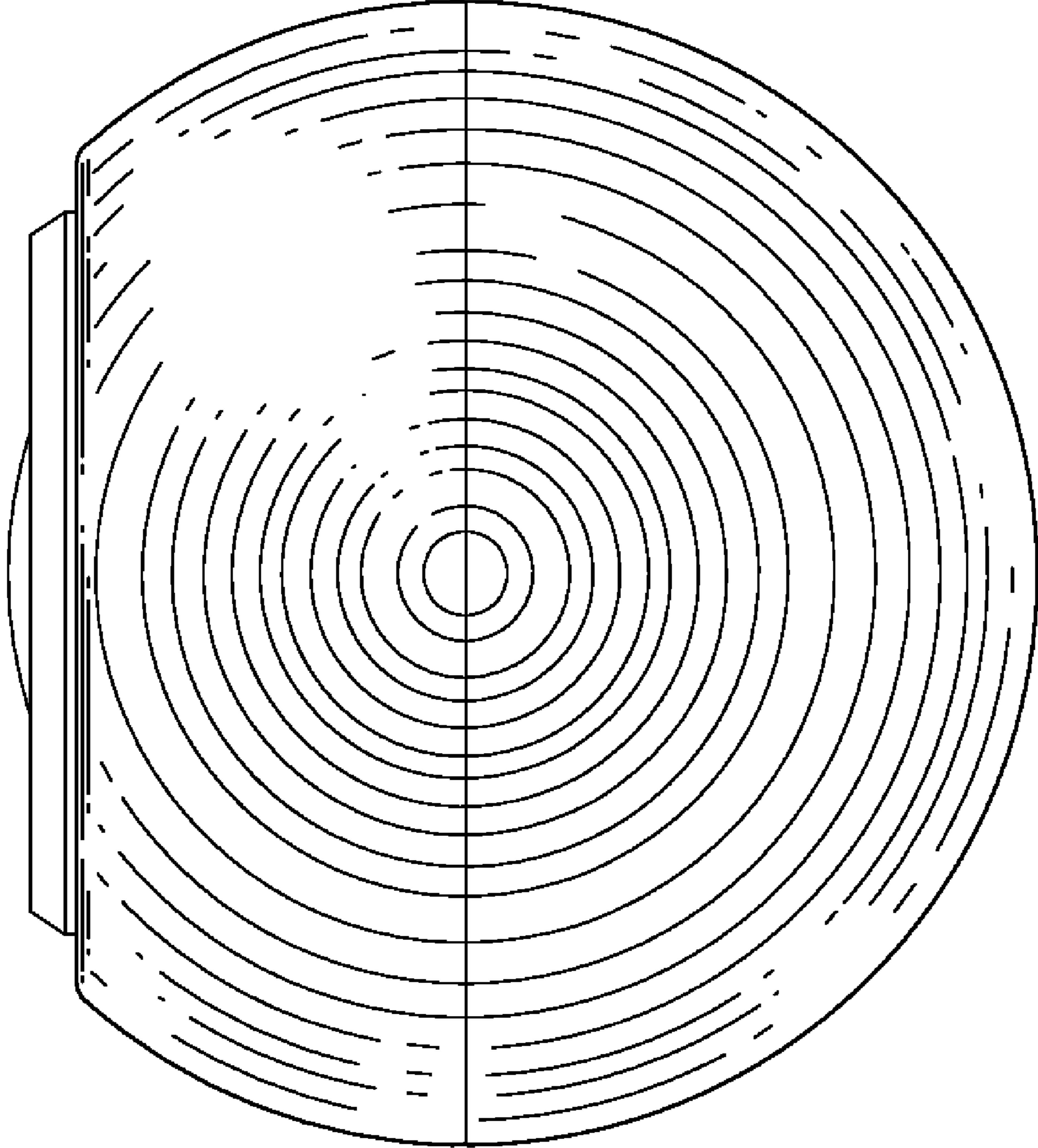


FIG. 5

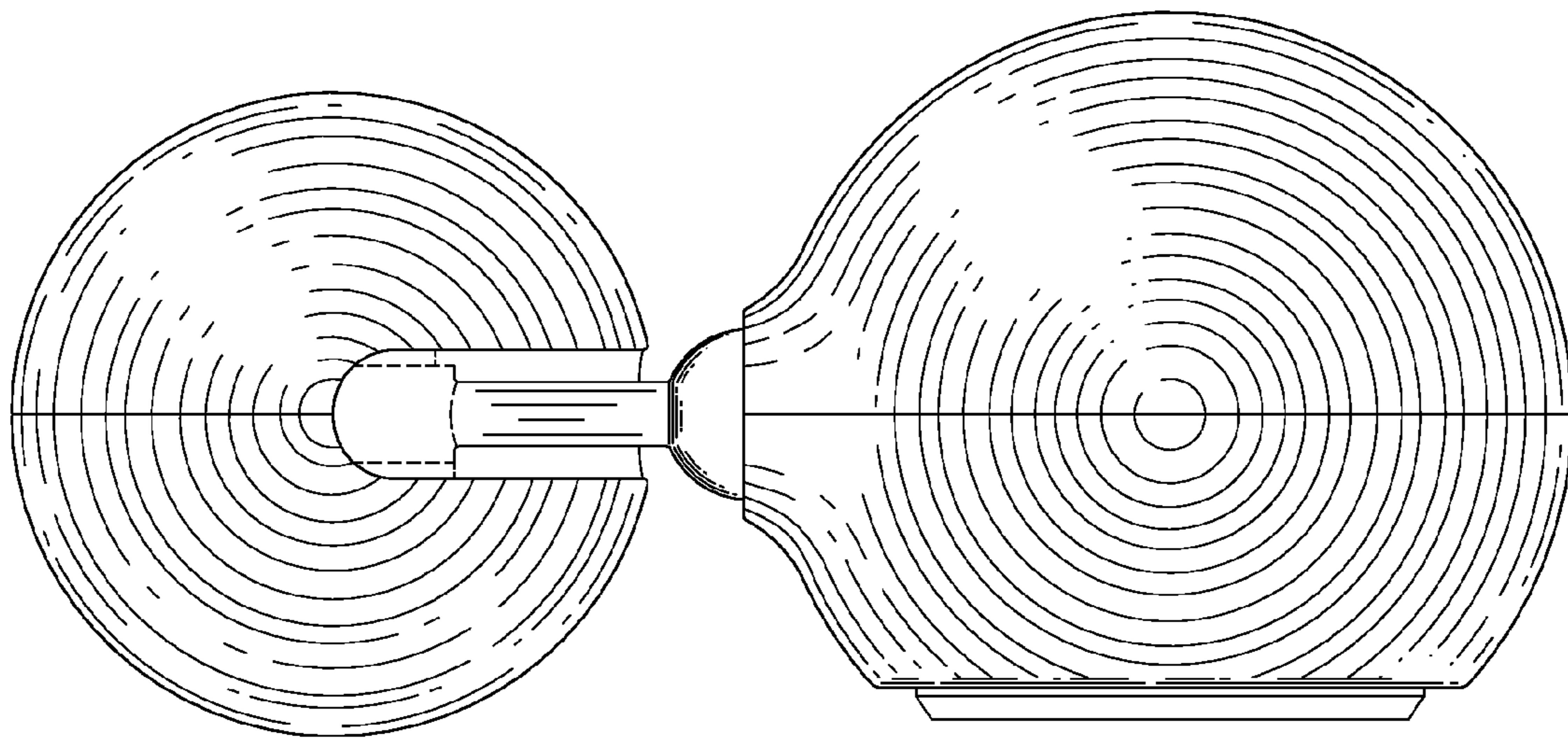


FIG. 6

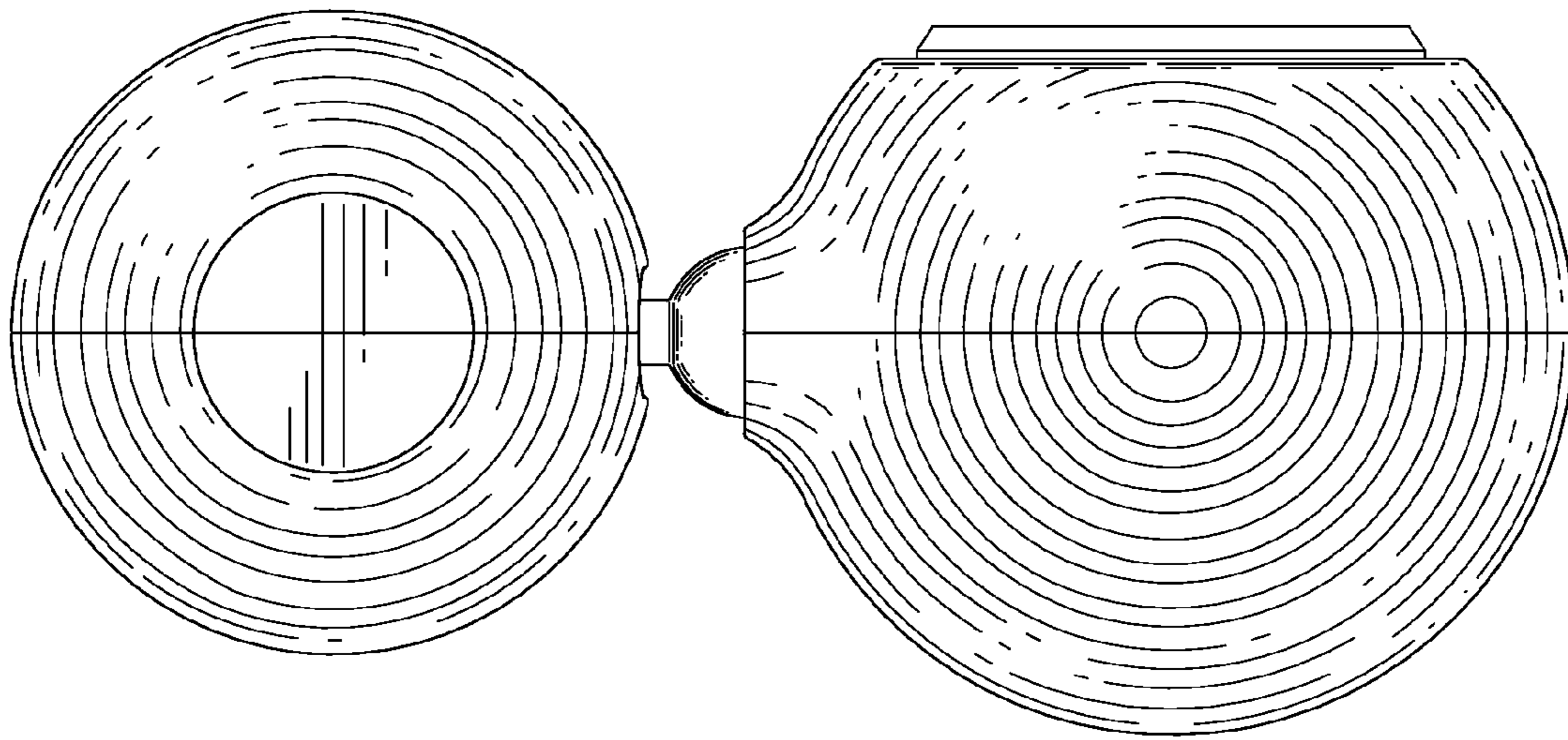


FIG. 7