



US00D628220S

(12) **United States Design Patent**  
**Lee**

(10) **Patent No.:** **US D628,220 S**  
(45) **Date of Patent:** **\*\* Nov. 30, 2010**

(54) **DIGITAL CAMERA**

D598,037 S \* 8/2009 Lee ..... D16/202  
7,646,426 B2 \* 1/2010 Saiki et al. .... 348/373

(75) Inventor: **Eun-Kyung Lee**, Changwon (KR)

(73) Assignee: **Samsung Electronics Co., Ltd.**,  
Suwon-si (KR)

(\*\*) Term: **14 Years**

(21) Appl. No.: **29/313,476**

(22) Filed: **Jan. 9, 2009**

(30) **Foreign Application Priority Data**

Oct. 9, 2008 (KR) ..... 30-2008-0043607

(51) **LOC (9) Cl.** ..... **16-01**

(52) **U.S. Cl.** ..... **D16/202**

(58) **Field of Classification Search** ..... D16/200-204,  
D16/208, 218; 348/373-376; 358/909.1;  
396/535-541

See application file for complete search history.

(56) **References Cited**

**U.S. PATENT DOCUMENTS**

D545,335 S \* 6/2007 Kanno ..... D16/218  
D555,687 S \* 11/2007 Yoo et al. .... D16/202  
D555,689 S \* 11/2007 Yoo et al. .... D16/202  
D556,229 S \* 11/2007 Bai ..... D16/202  
D596,214 S \* 7/2009 Kim et al. .... D16/202

**OTHER PUBLICATIONS**

“Samsung NV100HD offers high density specification,” Product Review, published on internet website <http://www.dpreview.com/news/0807/08071605SamsungNV100HD.asp> (Jul. 16, 2008).

\* cited by examiner

*Primary Examiner*—Adir Aronovich

(74) *Attorney, Agent, or Firm*—Drinker Biddle & Reath LLP

(57) **CLAIM**

The ornamental design for a digital camera, as shown and described.

**DESCRIPTION**

FIG. 1 is a top, front and right side perspective view of a digital camera showing my new design;

FIG. 2 is a front elevational view of the digital camera;

FIG. 3 is a rear elevational view of the digital camera;

FIG. 4 is left side elevational view thereof;

FIG. 5 is right side elevational view thereof;

FIG. 6 is a top plan view of the digital camera; and,

FIG. 7 is a bottom plan view of the digital camera.

**1 Claim, 6 Drawing Sheets**

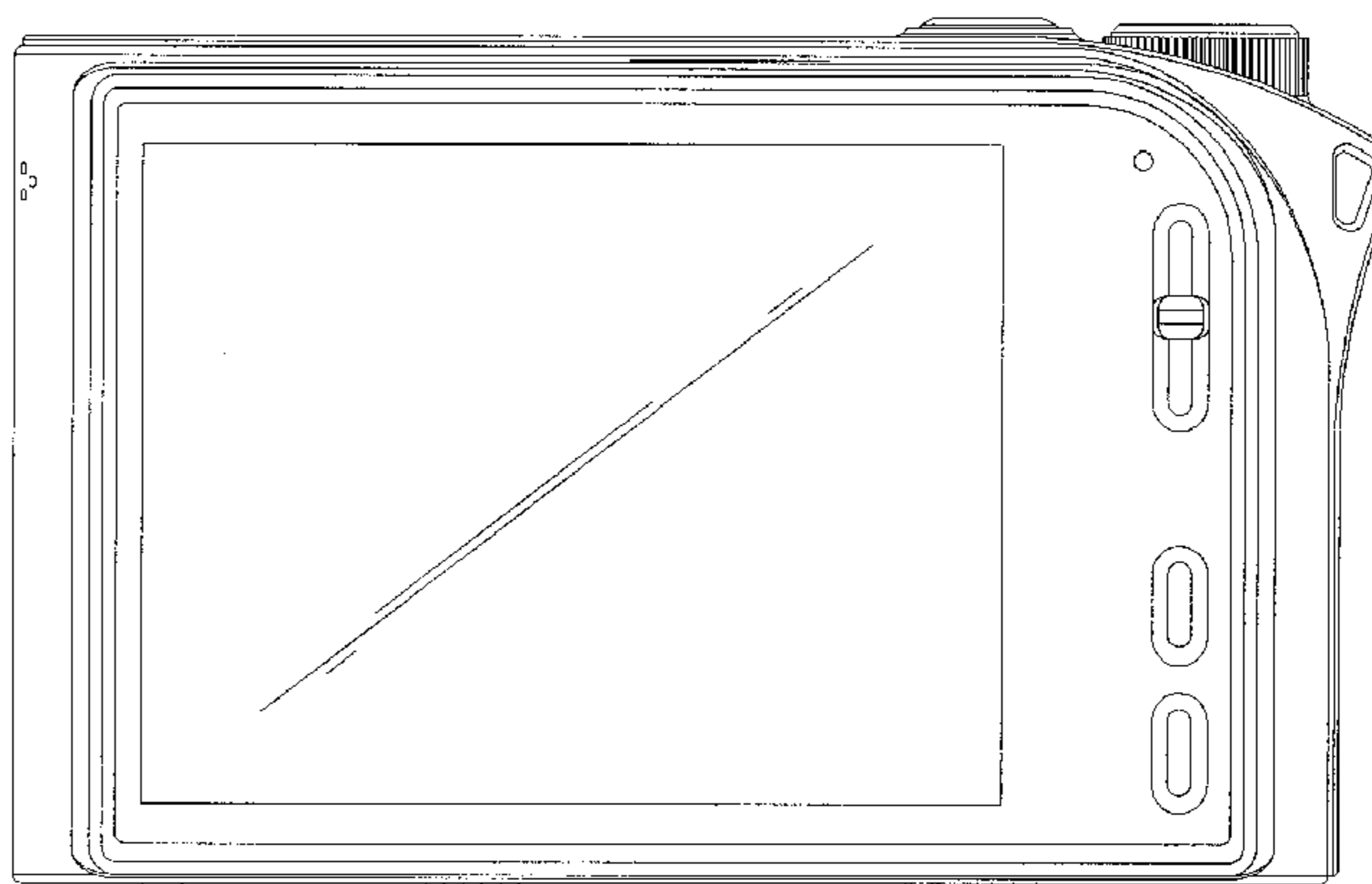
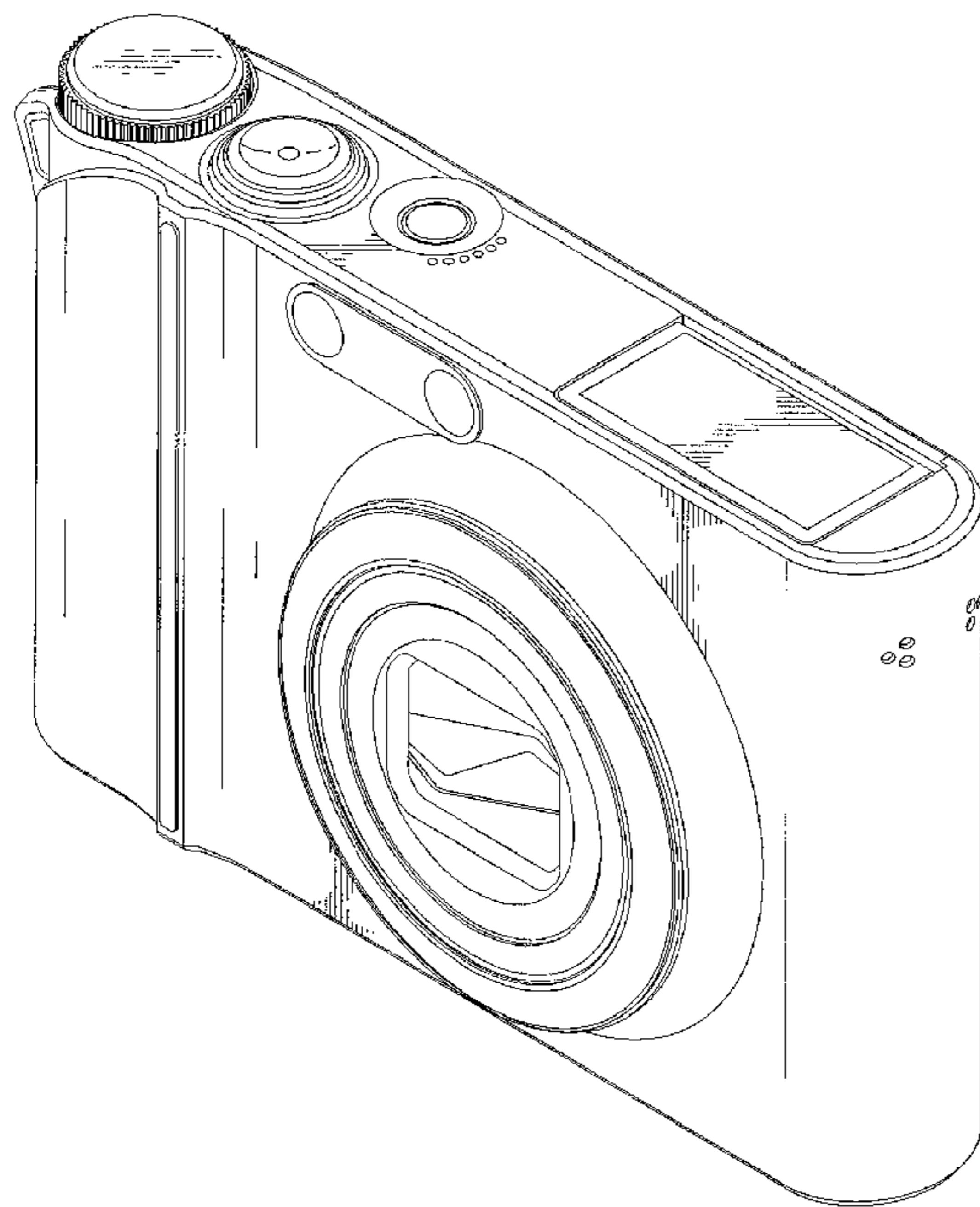


FIG. 1

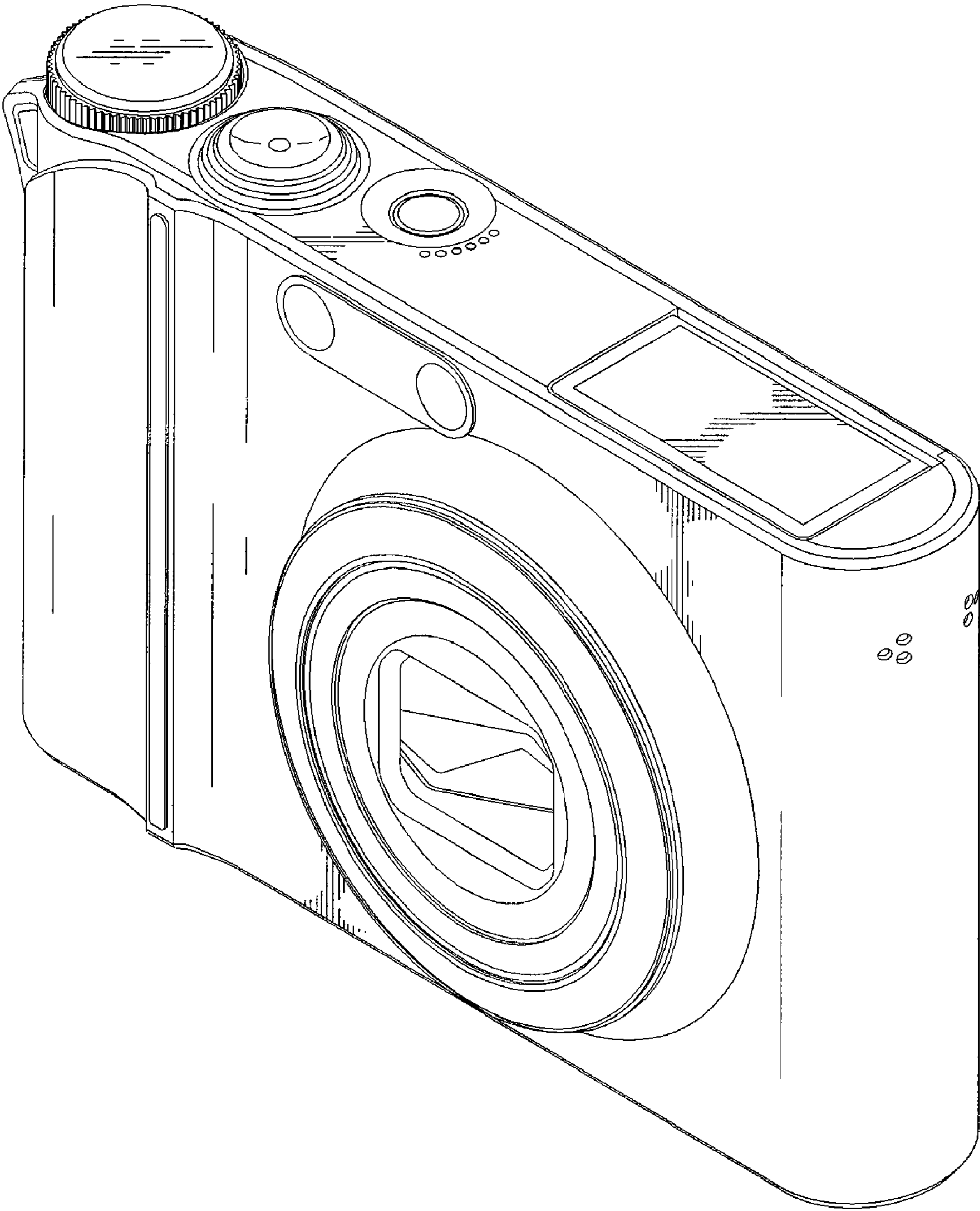


FIG. 2

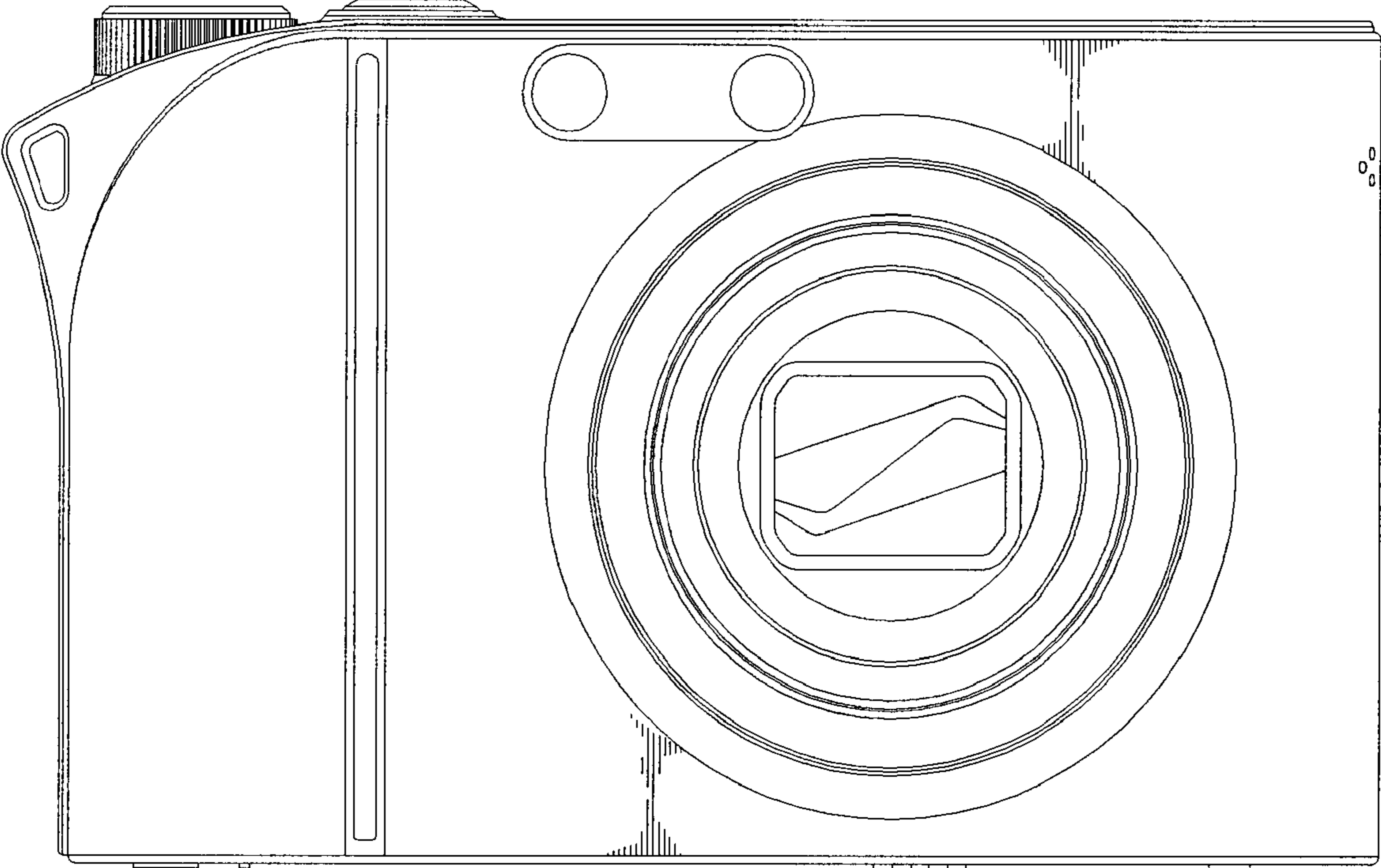


FIG. 3

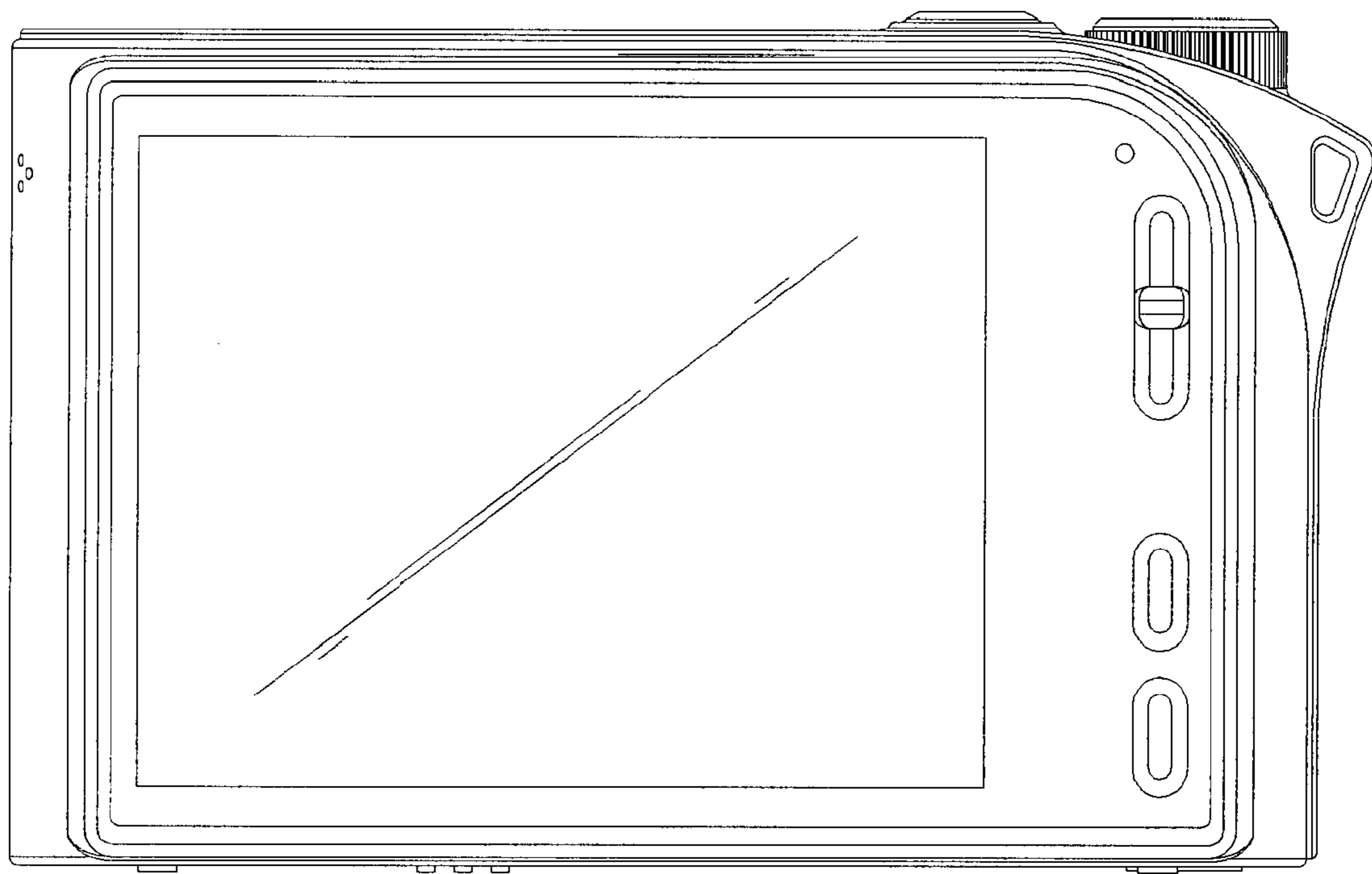


FIG. 4

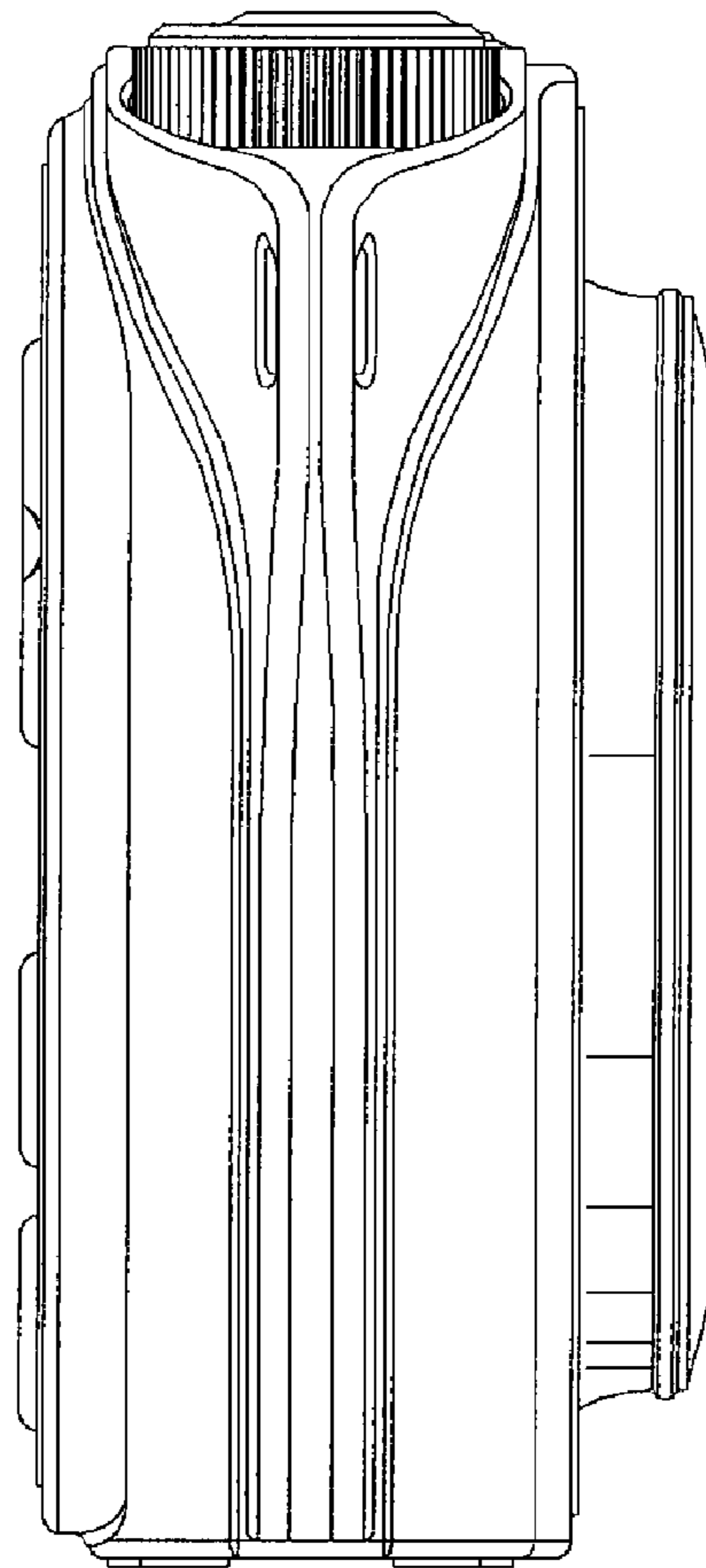


FIG. 5

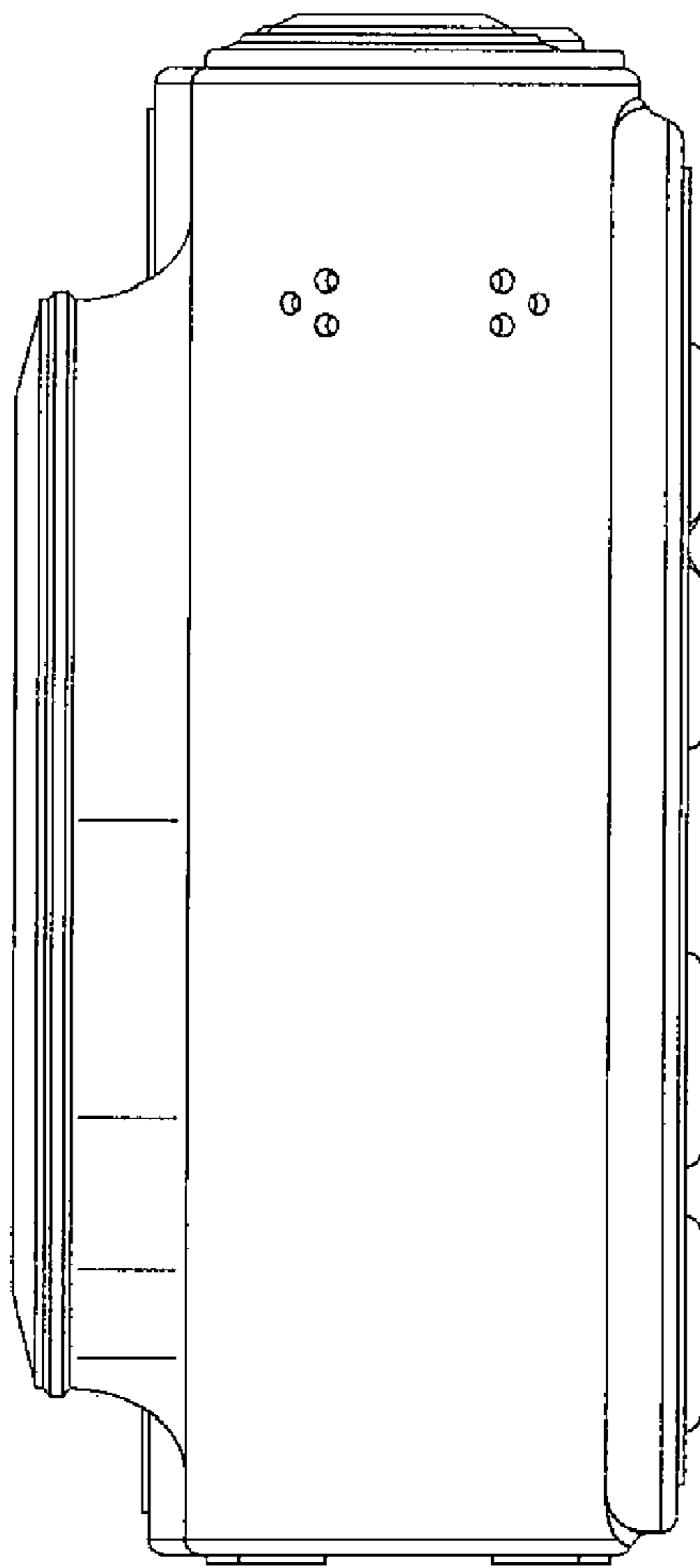


FIG. 6

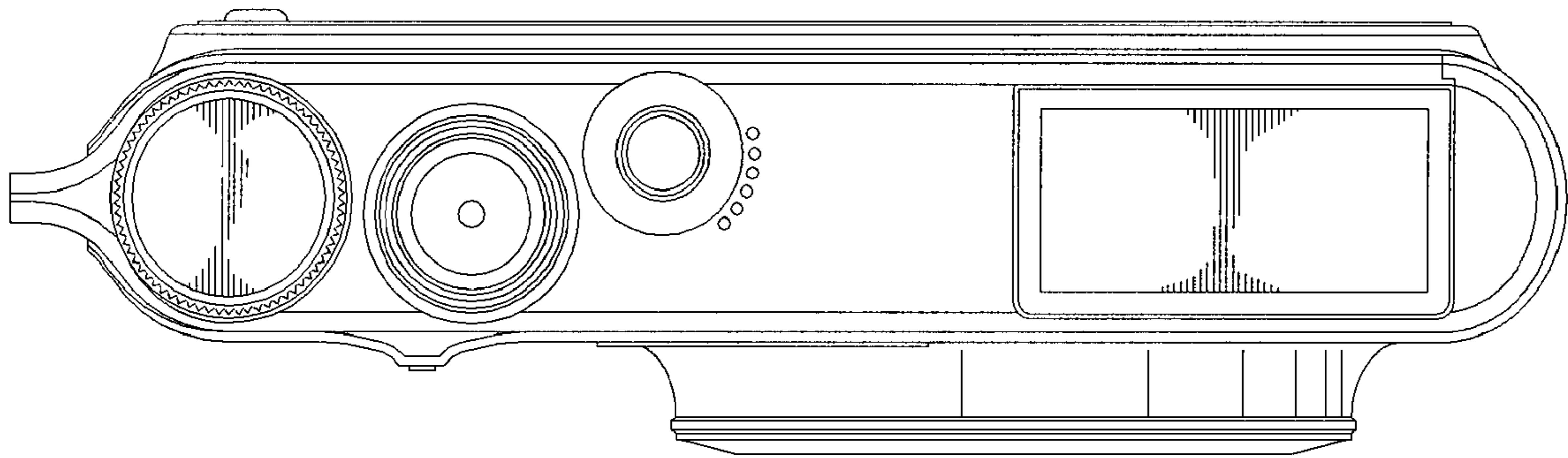


FIG. 7

