

US00D628218S

(12) **United States Design Patent**
Tommassini

(10) **Patent No.:** **US D628,218 S**

(45) **Date of Patent:** **** Nov. 30, 2010**

(54) **ROUTER BIT GUIDE**

(75) Inventor: **Marcello Tommassini**, Pesaro (IT)

(73) Assignee: **C.M.T. Utensili S.p.A.**, Pesaro (IT)

(**) Term: **14 Years**

(21) Appl. No.: **29/286,475**

(22) Filed: **May 7, 2007**

(51) **LOC (9) Cl.** **15-09**

(52) **U.S. Cl.** **D15/138; D8/70**

(58) **Field of Classification Search** D8/67,
D8/70, 101; D15/138, 139; D21/484, 502,
D21/505

See application file for complete search history.

(56) **References Cited**

U.S. PATENT DOCUMENTS

450,378	A *	4/1891	Robibson	451/461
D23,411	S *	7/1894	Faber	D19/53
2,344,302	A *	3/1944	Harza	405/16
2,659,163	A *	11/1953	Albee	273/273
2,738,594	A *	3/1956	Swingle	434/212
3,661,389	A *	5/1972	Harris et al.	273/409
3,947,937	A *	4/1976	Hertel	407/114
4,025,076	A *	5/1977	Lipps	273/294
4,312,250	A *	1/1982	Yankoff	82/1.11
4,340,327	A *	7/1982	Martins	408/59
4,358,115	A *	11/1982	Haas	273/157 R
4,378,184	A *	3/1983	Briese	407/113
4,437,668	A *	3/1984	Simpson et al.	273/156
4,515,370	A *	5/1985	Garcia	273/258
4,537,001	A *	8/1985	Uppstrom	52/608
4,555,114	A *	11/1985	Dozier	473/588
D305,239	S *	12/1989	Niebauer	D15/139
4,952,153	A *	8/1990	McAllister	434/259
4,993,984	A *	2/1991	Matarese	446/118
5,004,378	A *	4/1991	Arai et al.	407/106
5,032,050	A *	7/1991	Niebauer et al.	407/114
5,046,899	A *	9/1991	Nishi	407/102
D350,808	S *	9/1994	Warshawsky	D23/213
5,352,072	A	10/1994	Velepec	
D353,642	S *	12/1994	Callaghan	D21/386

5,476,346	A *	12/1995	Lundstrom	407/114
5,647,700	A	7/1997	Velepec	
5,712,030	A *	1/1998	Goto et al.	428/332
D393,270	S *	4/1998	Muren et al.	D15/139
D395,663	S *	6/1998	Muren et al.	D15/139
5,758,994	A *	6/1998	Hintze et al.	407/116
D400,780	S *	11/1998	Wurdack	D8/374
D409,632	S *	5/1999	Hartlohner et al.	D15/139
5,921,721	A *	7/1999	Hintze et al.	407/113
5,947,786	A *	9/1999	Glick	446/85
D429,775	S *	8/2000	Adelman	D21/478
6,112,783	A *	9/2000	Newman	144/144.52
6,138,726	A *	10/2000	Newman	144/371
6,145,837	A *	11/2000	Silvey	273/157 R
6,168,356	B1 *	1/2001	Sjoo et al.	407/104
6,343,898	B1 *	2/2002	Sjoo et al.	407/101
D487,755	S *	3/2004	Kasperik et al.	D15/139
6,799,925	B2 *	10/2004	Ejderklint	407/116
D505,164	S *	5/2005	McCabe	D21/505

(Continued)

Primary Examiner—Patricia Palasik

(74) *Attorney, Agent, or Firm*—Frommer Lawrence & Haug LLP

(57) **CLAIM**

The ornamental design for a router bit guide, as shown and described.

DESCRIPTION

FIG. 1 is a bottom view of a router bit guide showing my new design;

FIG. 2 is a top view thereof;

FIG. 3 is a rear side view thereof

FIG. 4 is a front view thereof;

FIG. 5 is a left side view thereof;

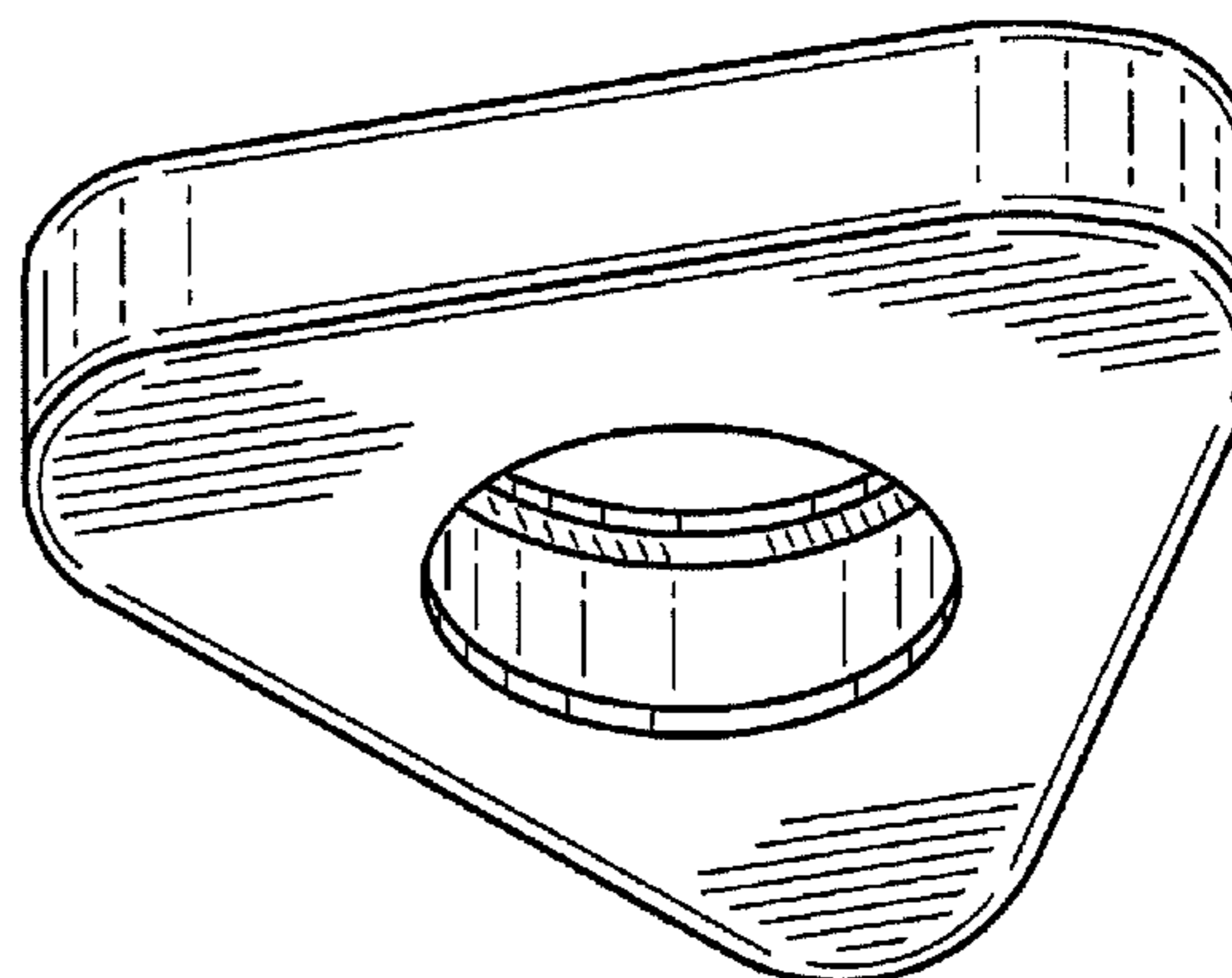
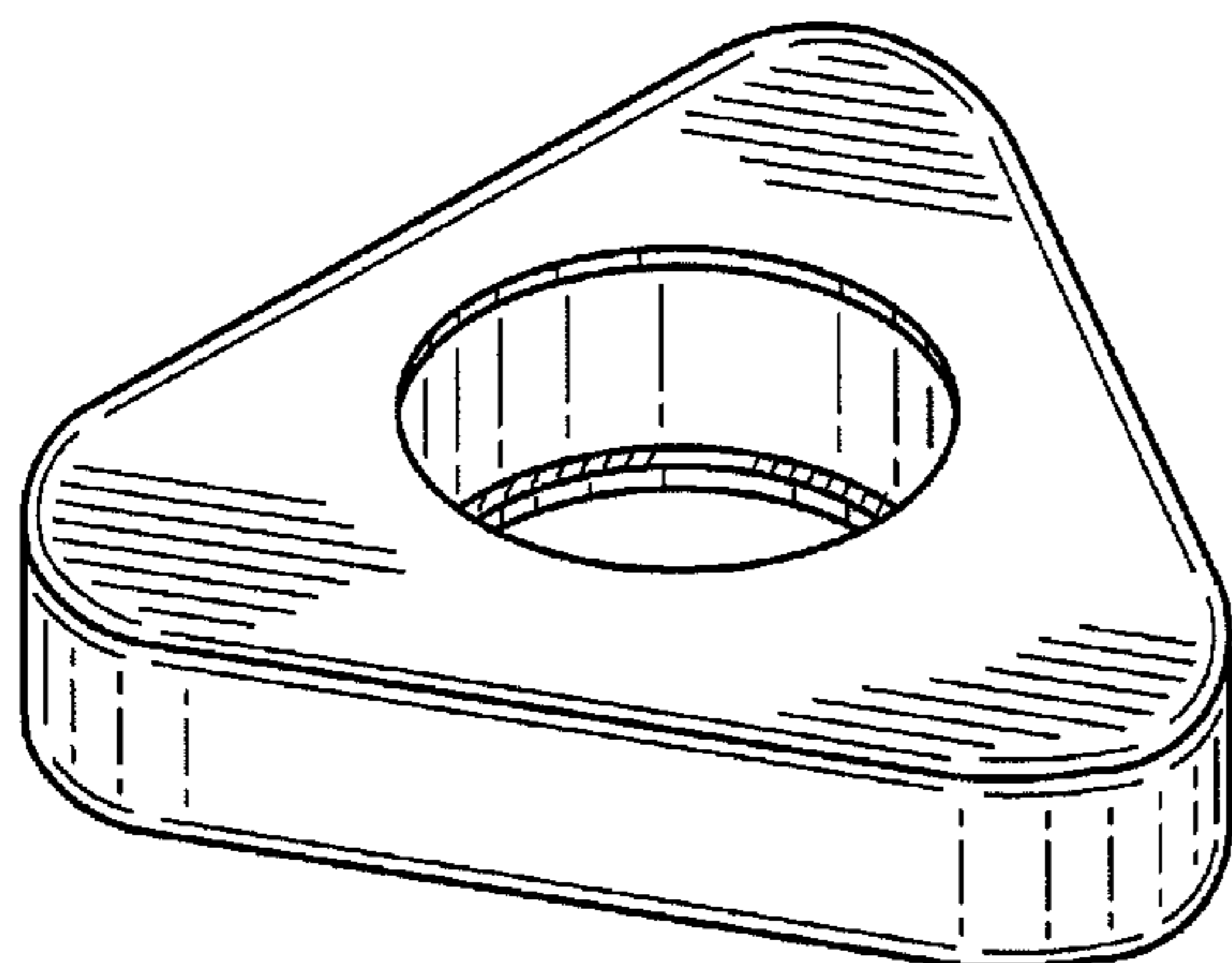
FIG. 6 is a right side view thereof;

FIG. 7 is a top-rear perspective view thereof;

FIG. 8 is a bottom-rear perspective view thereof; and,

FIG. 9 is a cross-sectional view thereof taken along a line 9—9 in FIG. 4.

1 Claim, 2 Drawing Sheets



US D628,218 S

Page 2

U.S. PATENT DOCUMENTS

6,887,017 B2	5/2005	Klesser						
D527,824 S *	9/2006	Mueller et al.	D24/189				
D538,357 S *	3/2007	Salmon	D21/505				
D544,506 S *	6/2007	Pinchot	D15/139				
D547,237 S *	7/2007	Tiede	D12/7				
D562,385 S *	2/2008	Camillo	D19/41				
D570,175 S *	6/2008	Bingham	D8/70				
D570,410 S *	6/2008	Moro	D19/41				
					D594,512 S *	6/2009	Richards et al.	D21/484
					2002/0002886 A1 *	1/2002	Hansson et al.	82/161
					2002/0050482 A1 *	5/2002	Kamdar et al.	215/379
					2003/0077131 A1 *	4/2003	Wiman et al.	407/114
					2004/0084839 A1 *	5/2004	Yang 273/157 R
					2005/0079023 A1	4/2005	Tart et al.	
					2005/0254908 A1 *	11/2005	Norstrom et al.	407/113
					2008/0075543 A1 *	3/2008	Zhu et al.	407/119
					2009/0290945 A1 *	11/2009	Carl 407/113

* cited by examiner

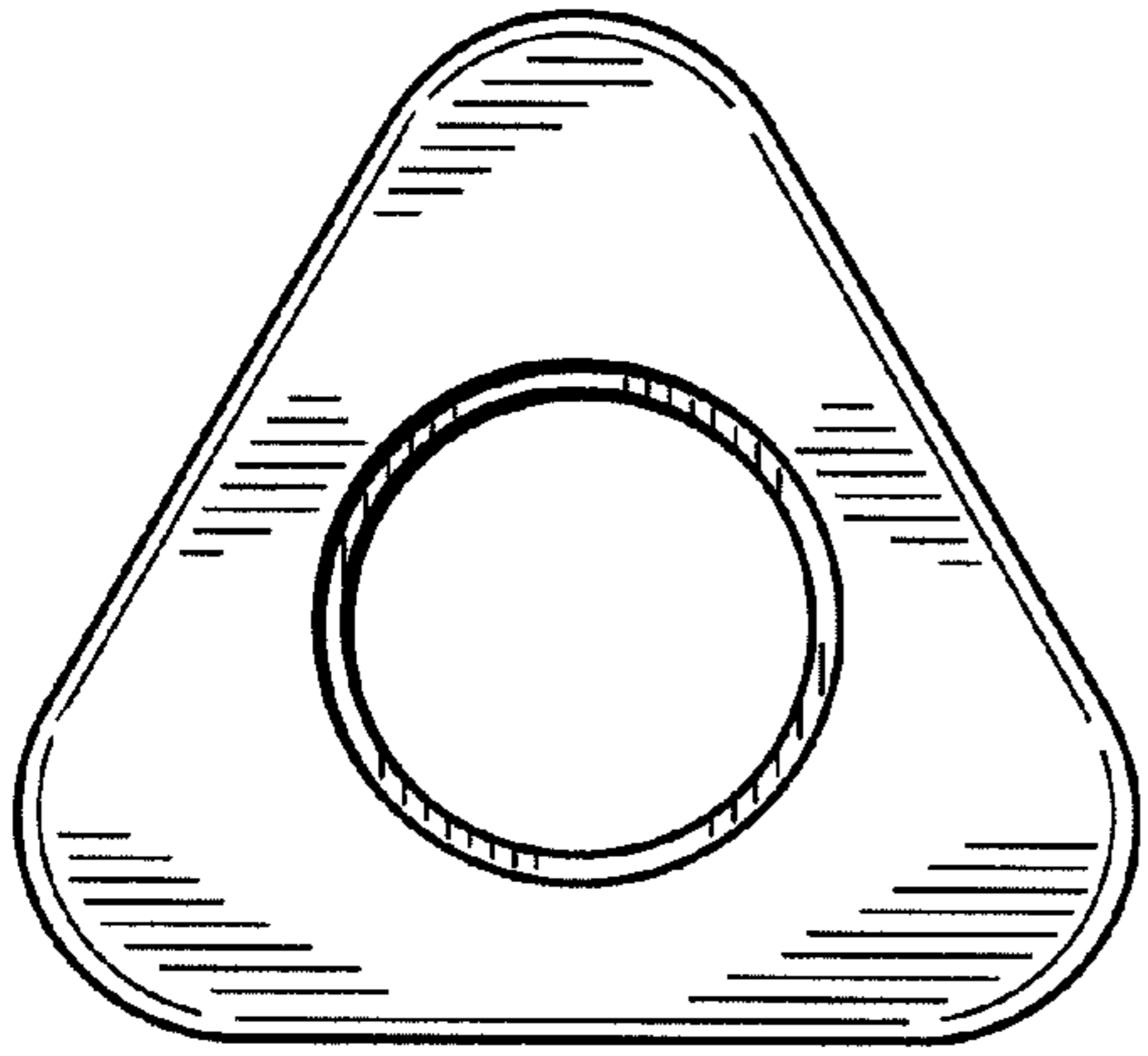


FIG. 1

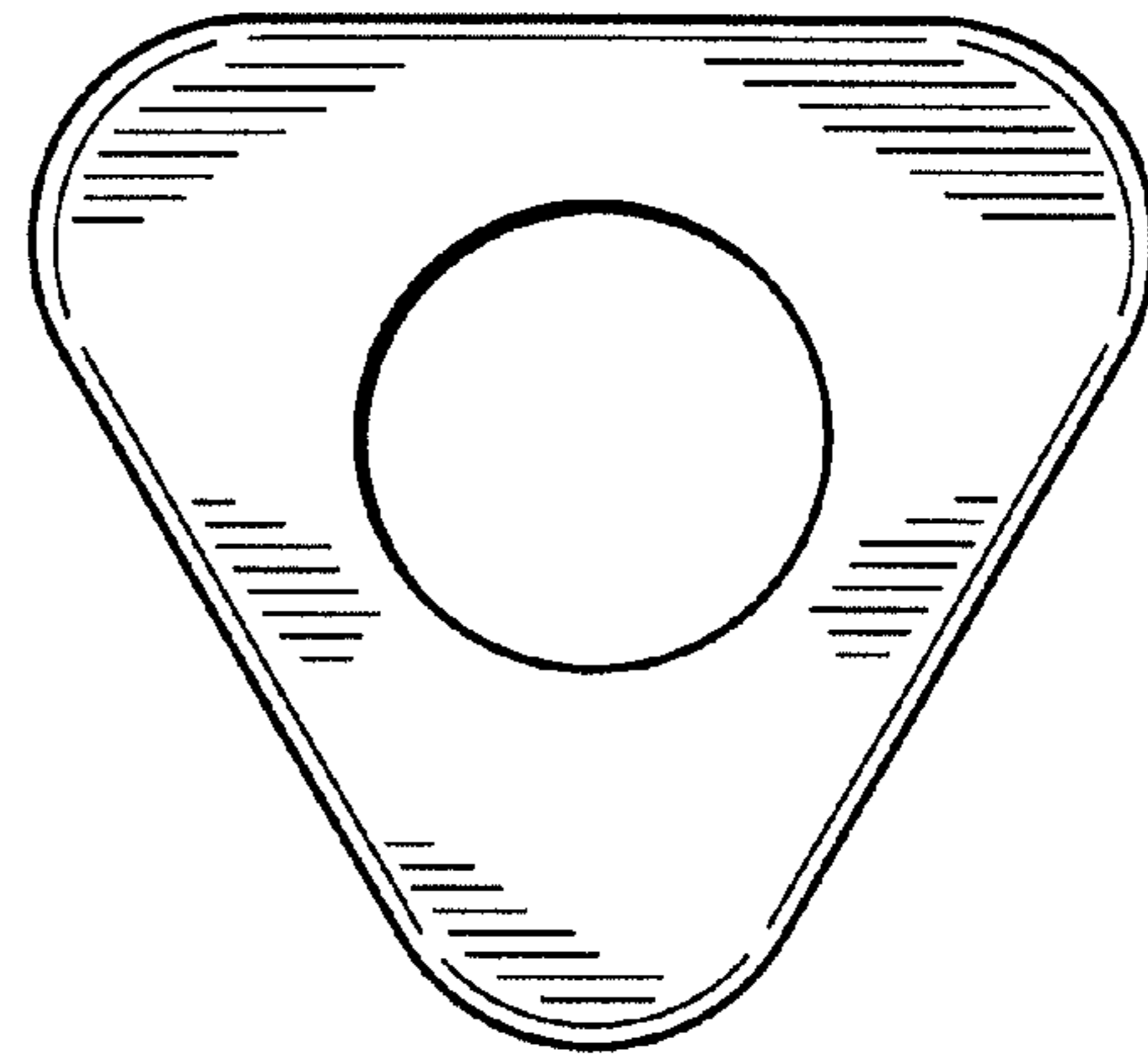


FIG. 2

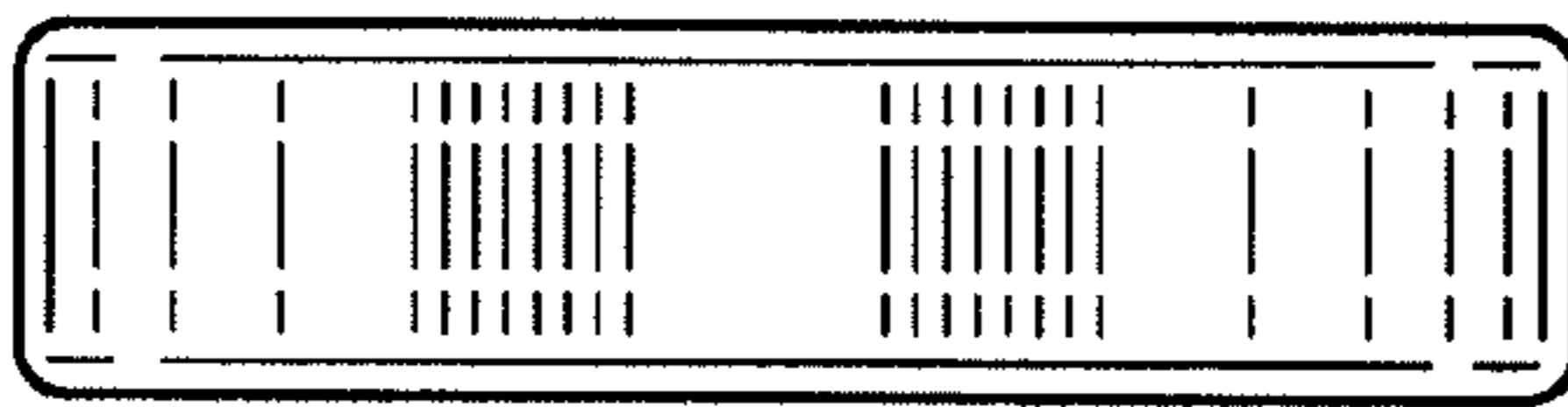


FIG. 3

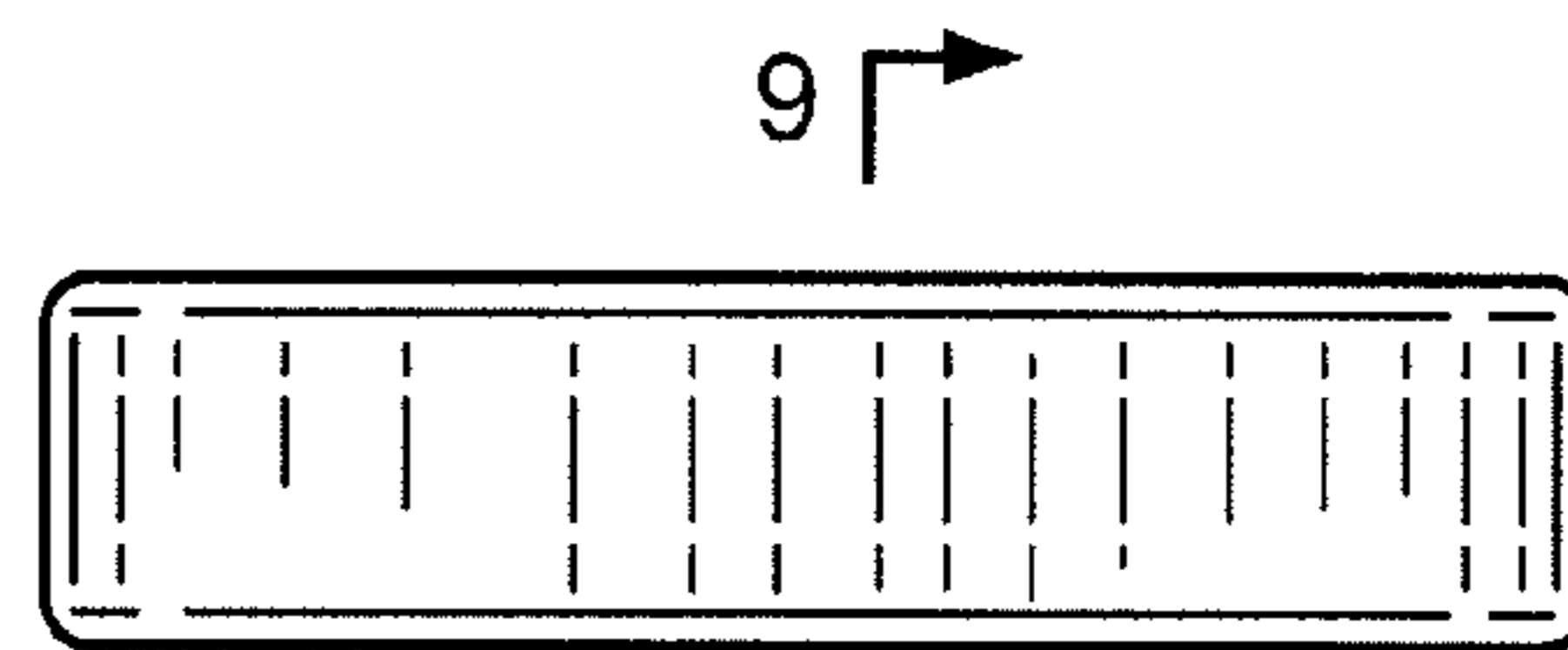


FIG. 4



FIG. 5

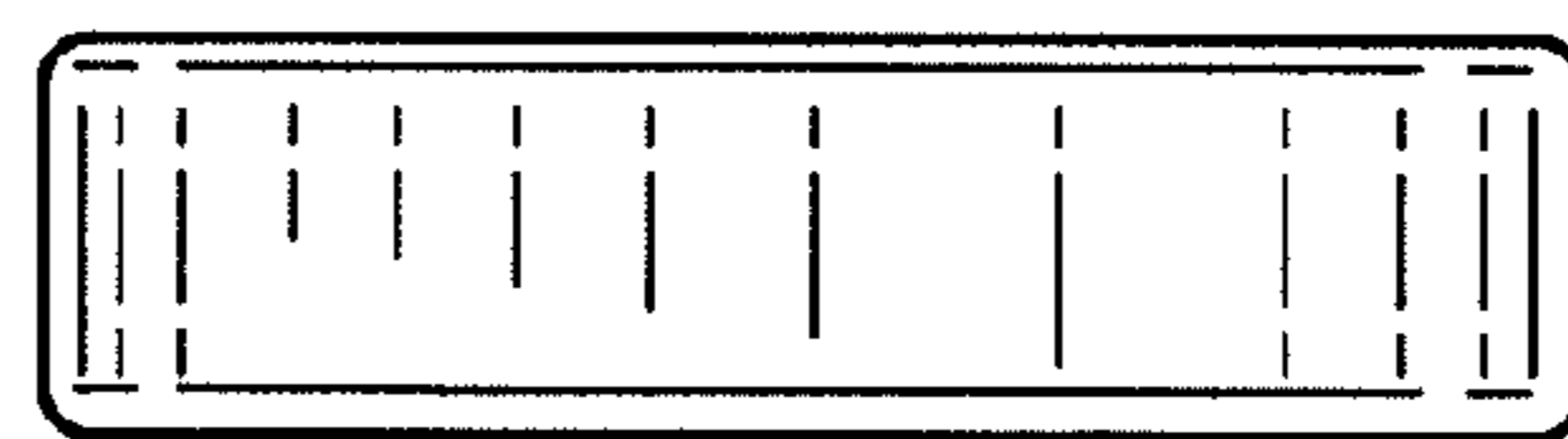


FIG. 6

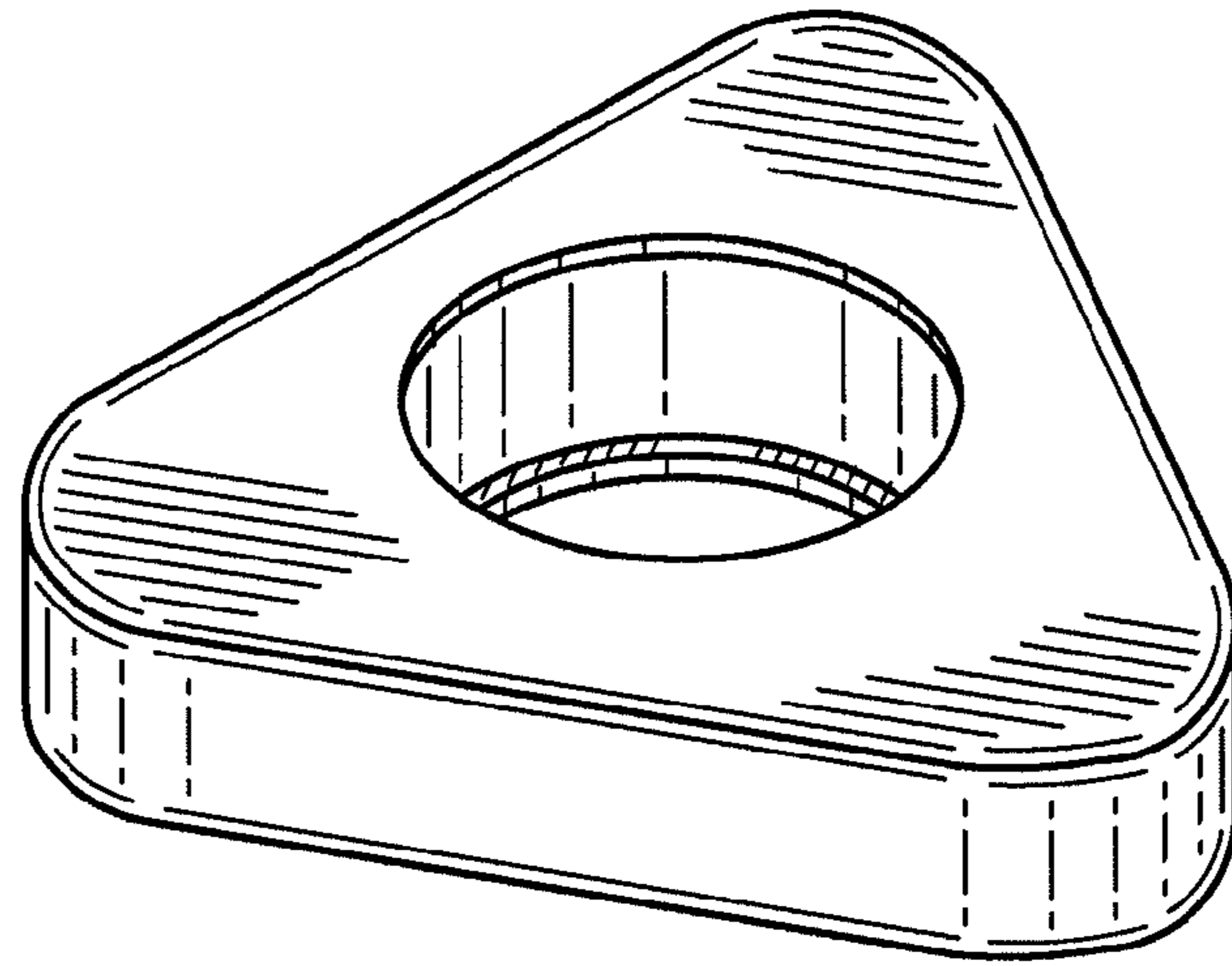


FIG. 7

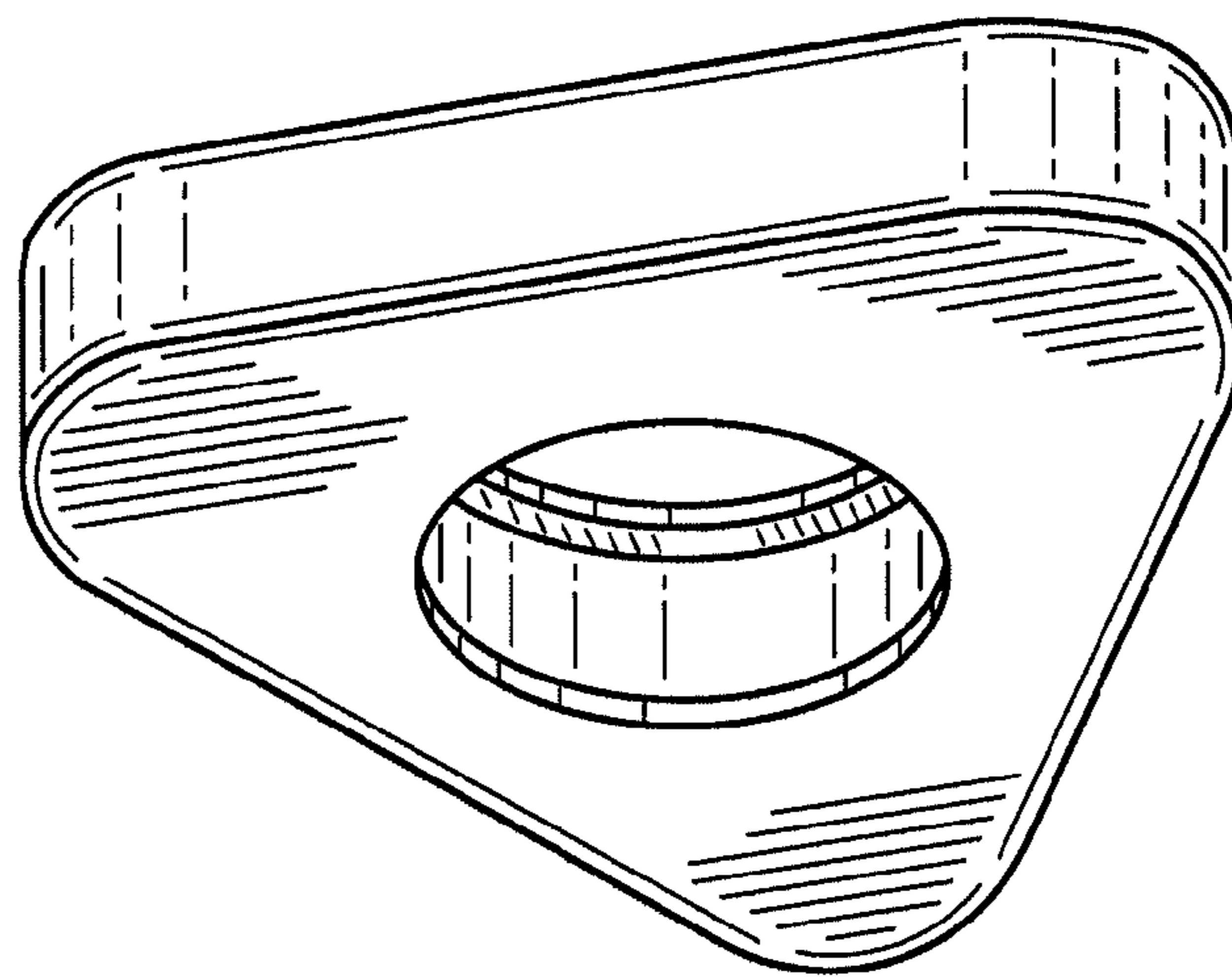


FIG. 8

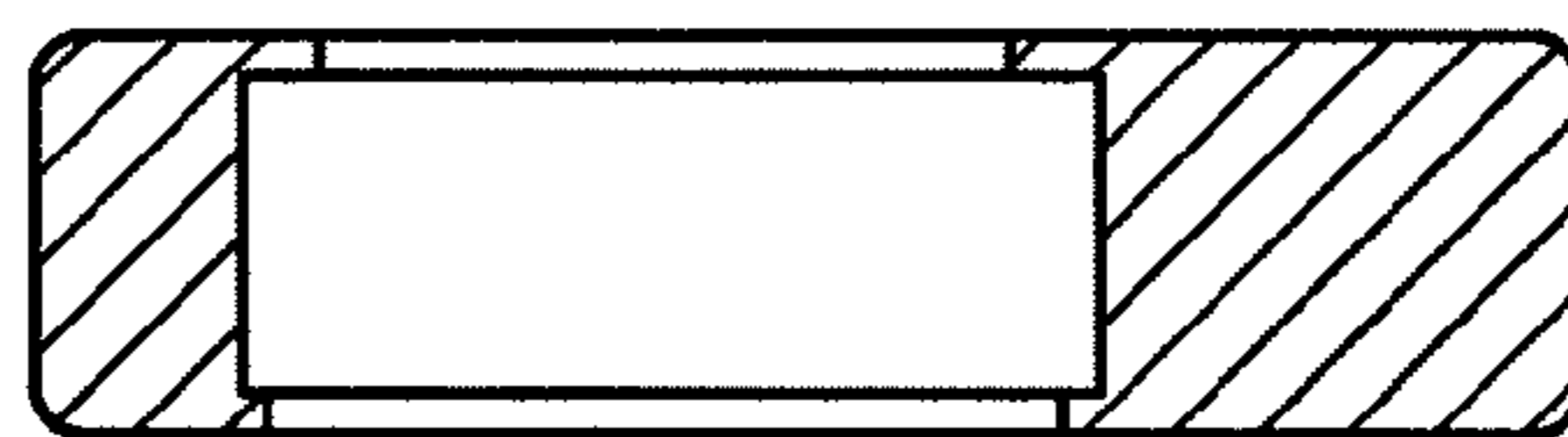


FIG. 9