



US00D628217S

(12) **United States Design Patent**
Jespersen

(10) **Patent No.:** **US D628,217 S**

(45) **Date of Patent:** **** Nov. 30, 2010**

(54) **DISC SANDER HEAD WITH SECURITY RINGS**

3,628,292 A * 12/1971 Rue 451/541

D474,666 S * 5/2003 Jeong et al. D8/70

D511,081 S * 11/2005 Nara D8/70

D548,757 S * 8/2007 Ruan D15/126

(75) Inventor: **Poul Erik Jespersen**, Roslev (DK)

(73) Assignee: **Flex Trim A/S**, Roslev (DK)

(**) Term: **14 Years**

* cited by examiner

(21) Appl. No.: **29/300,953**

Primary Examiner—Patricia Palasik

(74) *Attorney, Agent, or Firm*—Dykema Gossett PLLC

(22) Filed: **Jun. 4, 2008**

(57) **CLAIM**

(30) **Foreign Application Priority Data**

Dec. 4, 2007 (DK) 000837117-001

Dec. 4, 2007 (DK) 000837117-002

The ornamental design for a disc sander head with security rings, as shown and described.

(51) **LOC (9) Cl.** **15-09**

(52) **U.S. Cl.** **D15/126**

(58) **Field of Classification Search** D8/70;

D15/126; 83/589, 663, 676; 451/548–551

See application file for complete search history.

DESCRIPTION

FIG. 1 is a top view of a disc sander head with security rings showing my new and ornamental design,

FIG. 2 is a bottom view thereof; and,

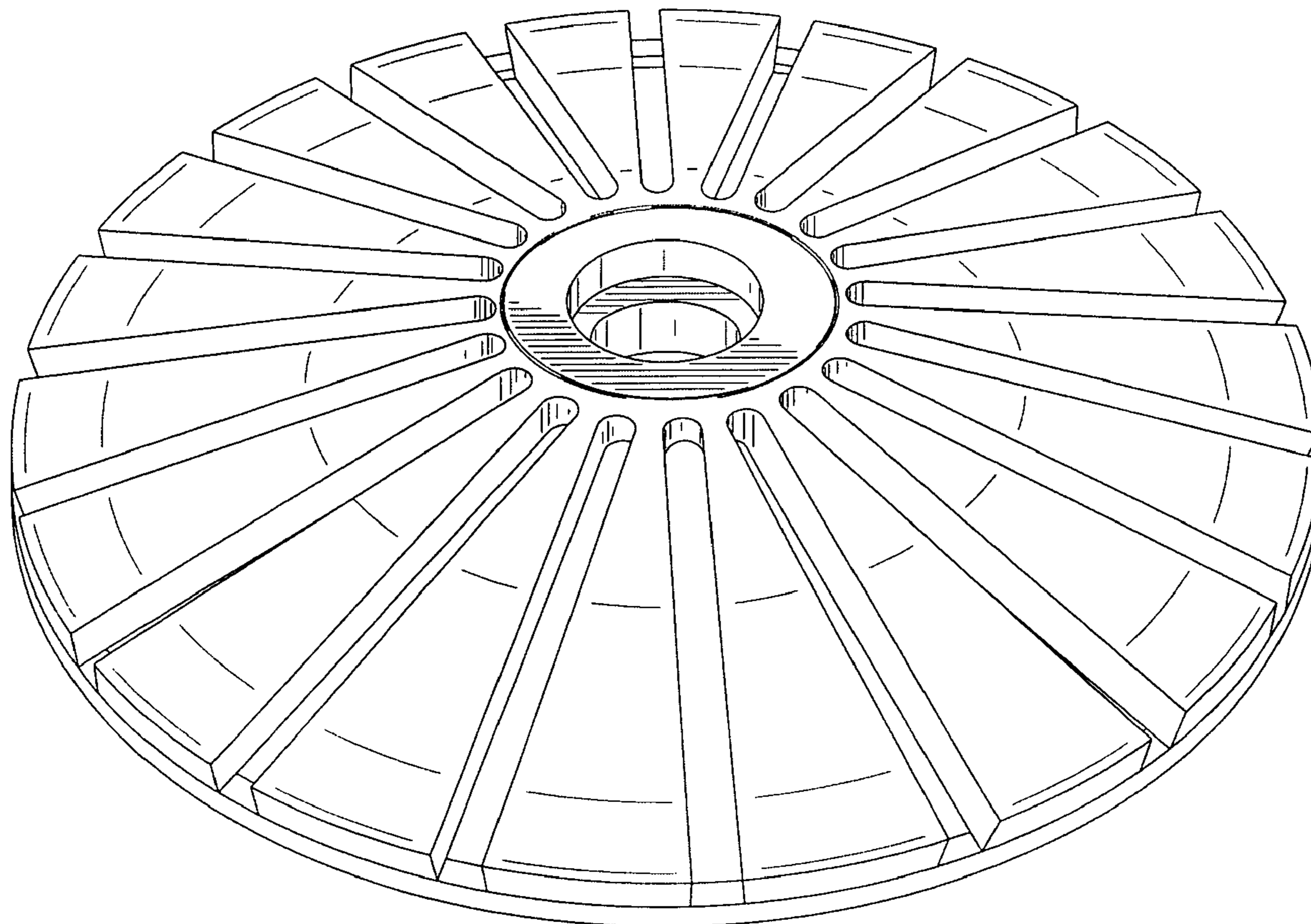
FIG. 3 is a perspective top view thereof.

(56) **References Cited**

U.S. PATENT DOCUMENTS

1,113,780 A * 10/1914 Greiesche et al. 125/15

1 Claim, 3 Drawing Sheets



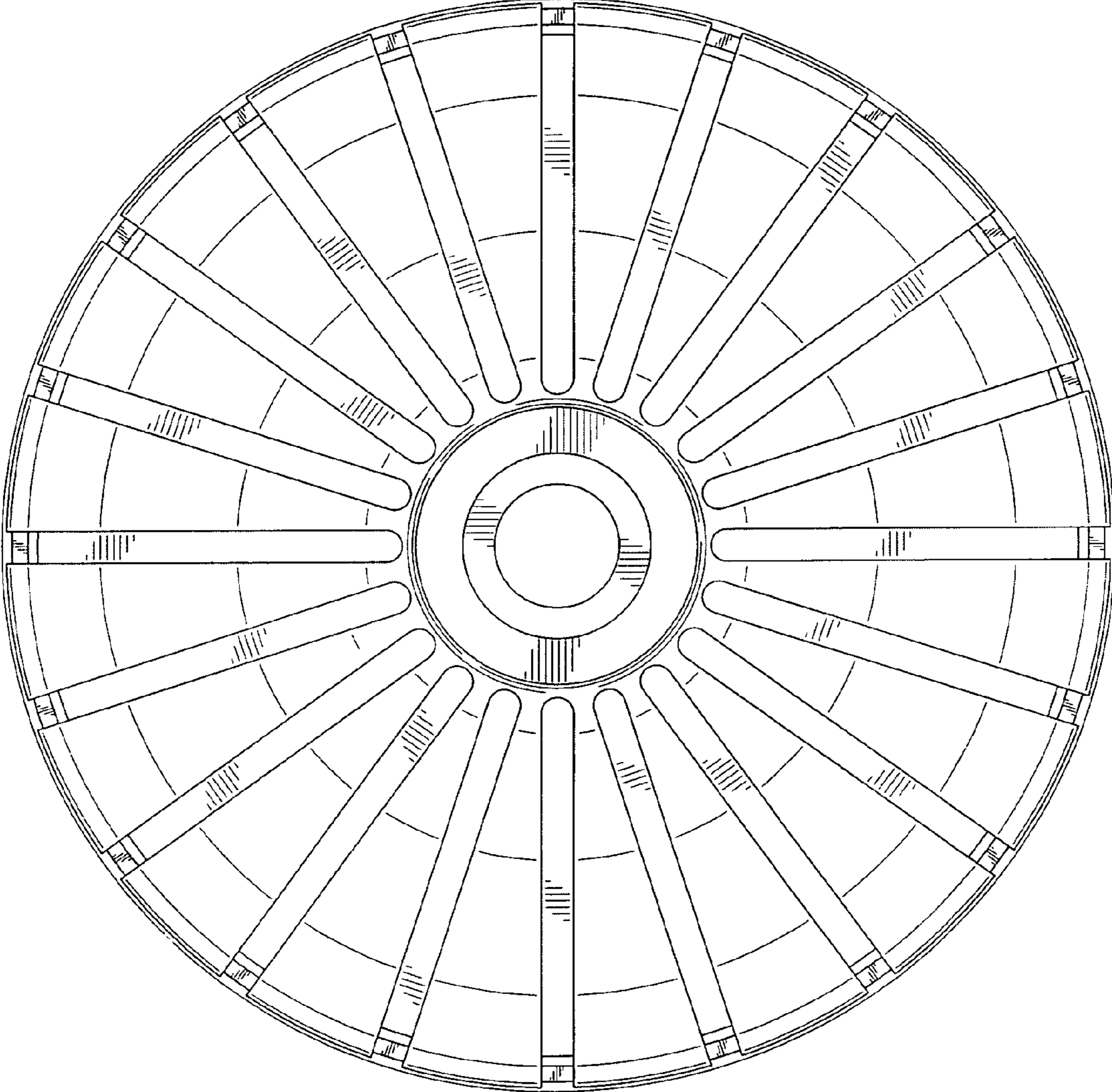


FIG. 1

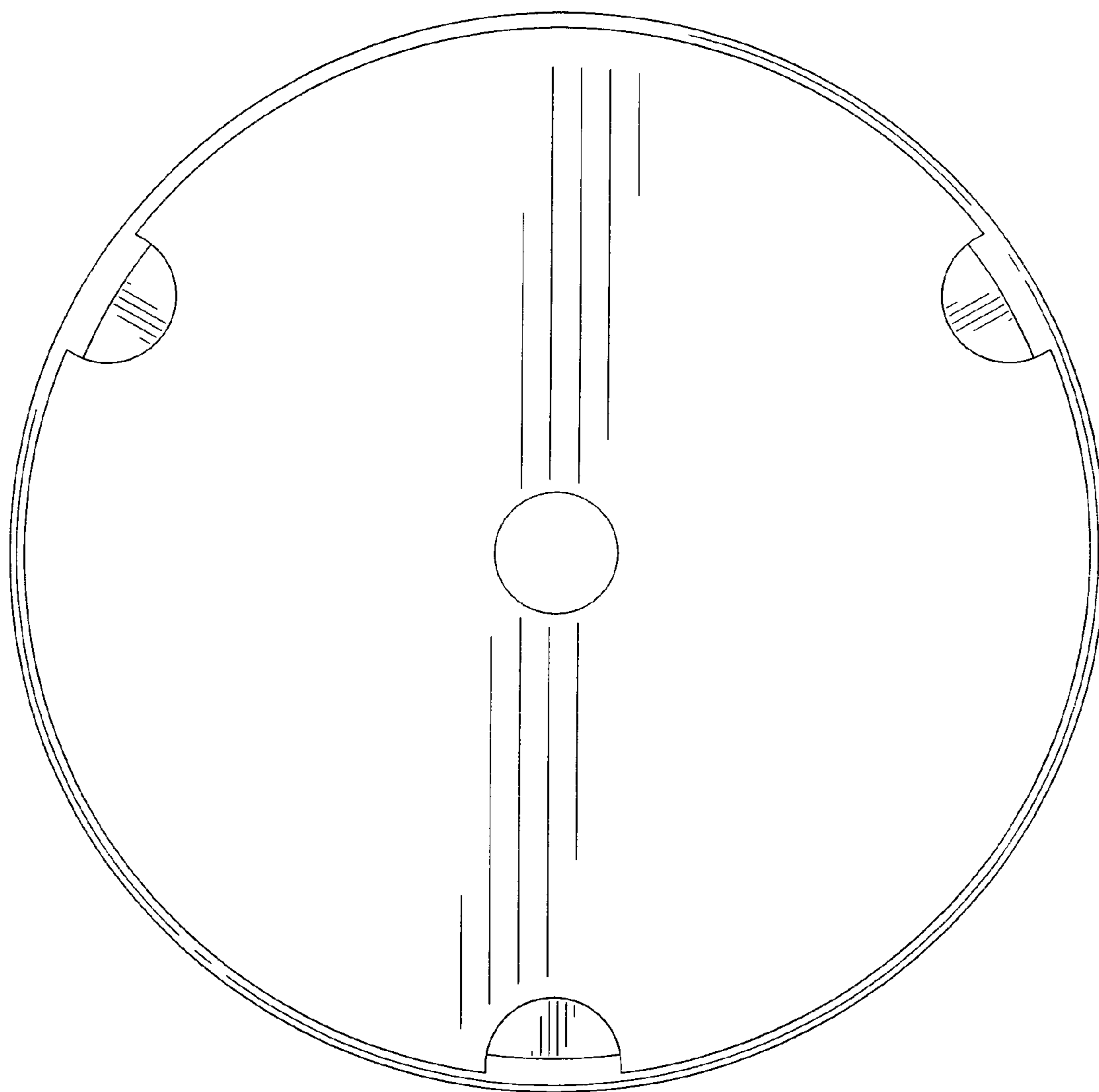


FIG. 2

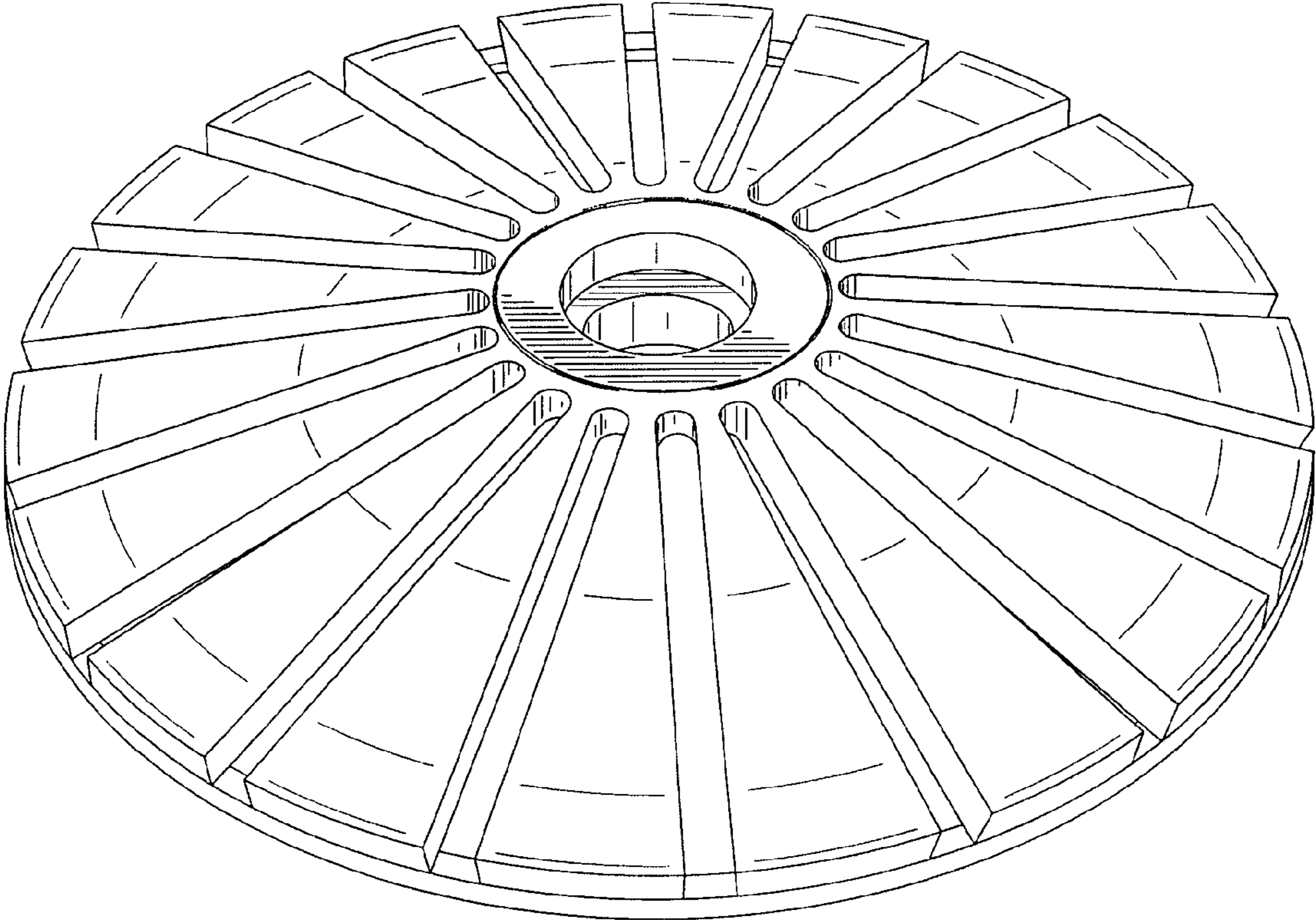


FIG. 3