



US00D628214S

(12) **United States Design Patent**  
**Knobloch et al.**

(10) **Patent No.:** **US D628,214 S**

(45) **Date of Patent:** **\*\* Nov. 30, 2010**

(54) **DISK HARROW**

(75) Inventors: **Dean A. Knobloch**, Goodfield, IL (US);  
**Scott Robert Faust**, Philo, IL (US)

(73) Assignee: **CNH America LLC**, New Holland, PA  
(US)

(\*\*) Term: **14 Years**

(21) Appl. No.: **29/359,547**

(22) Filed: **Apr. 13, 2010**

(51) **LOC (9) Cl.** ..... **15-03**

(52) **U.S. Cl.** ..... **D15/27**

(58) **Field of Classification Search** ..... D15/10,  
D15/11, 27, 28, 29, 33; 172/579, 311, 568,  
172/468, 637, 662, 684.5, 689, 551, 576,  
172/595, 455, 518, 527, 567, 586, 142, 152,  
172/154, 178, 181, 196, 440, 441, 314, 548,  
172/454, 583, 140, 776, 22, 442, 145-147,  
172/175, 612, 669, 68

See application file for complete search history.

(56) **References Cited**

**U.S. PATENT DOCUMENTS**

D205,234 S *	7/1966	Dreyfuss et al. ....	D15/27
3,297,097 A *	1/1967	Pryor .....	172/595
4,044,842 A *	8/1977	Worick .....	172/314
D267,320 S *	12/1982	Symonds .....	D15/11
D306,598 S *	3/1990	Swartzendruber et al. ....	D15/11
5,161,622 A *	11/1992	Godbersen .....	172/140
5,207,279 A *	5/1993	Nelson et al. ....	172/140

5,535,832 A *	7/1996	Benoit .....	172/195
5,881,820 A *	3/1999	Baker .....	172/455
6,557,646 B1 *	5/2003	Hurtis et al. ....	172/156
6,578,642 B2 *	6/2003	Cox et al. ....	172/624.5
6,679,339 B1 *	1/2004	Steinlage et al. ....	172/395
6,698,525 B2 *	3/2004	McFarlane .....	172/145
D615,562 S *	5/2010	Kelly et al. ....	D15/27
2009/0133888 A1 *	5/2009	Kovach et al. ....	172/68

\* cited by examiner

*Primary Examiner*—Mark A Goodwin

(74) *Attorney, Agent, or Firm*—Rebecca Henkel

(57) **CLAIM**

We claim the ornamental design for a disk harrow, as shown and described.

**DESCRIPTION**

FIG. 1 is an upper left perspective view of a disk harrow showing our new design in use condition;

FIG. 2 is an upper left perspective view thereof;

FIG. 3 is a top view thereof;

FIG. 4 is a front view thereof;

FIG. 5 is a left side view thereof; and,

FIG. 6 is a rear view thereof.

The broken line showing of the wheels, disks, and small mechanical elements attached to the harrow in FIG. 1 and the small brackets in FIGS. 1-5 is included for the purpose of illustrating environmental structure and forms no part of the claimed design.

**1 Claim, 4 Drawing Sheets**

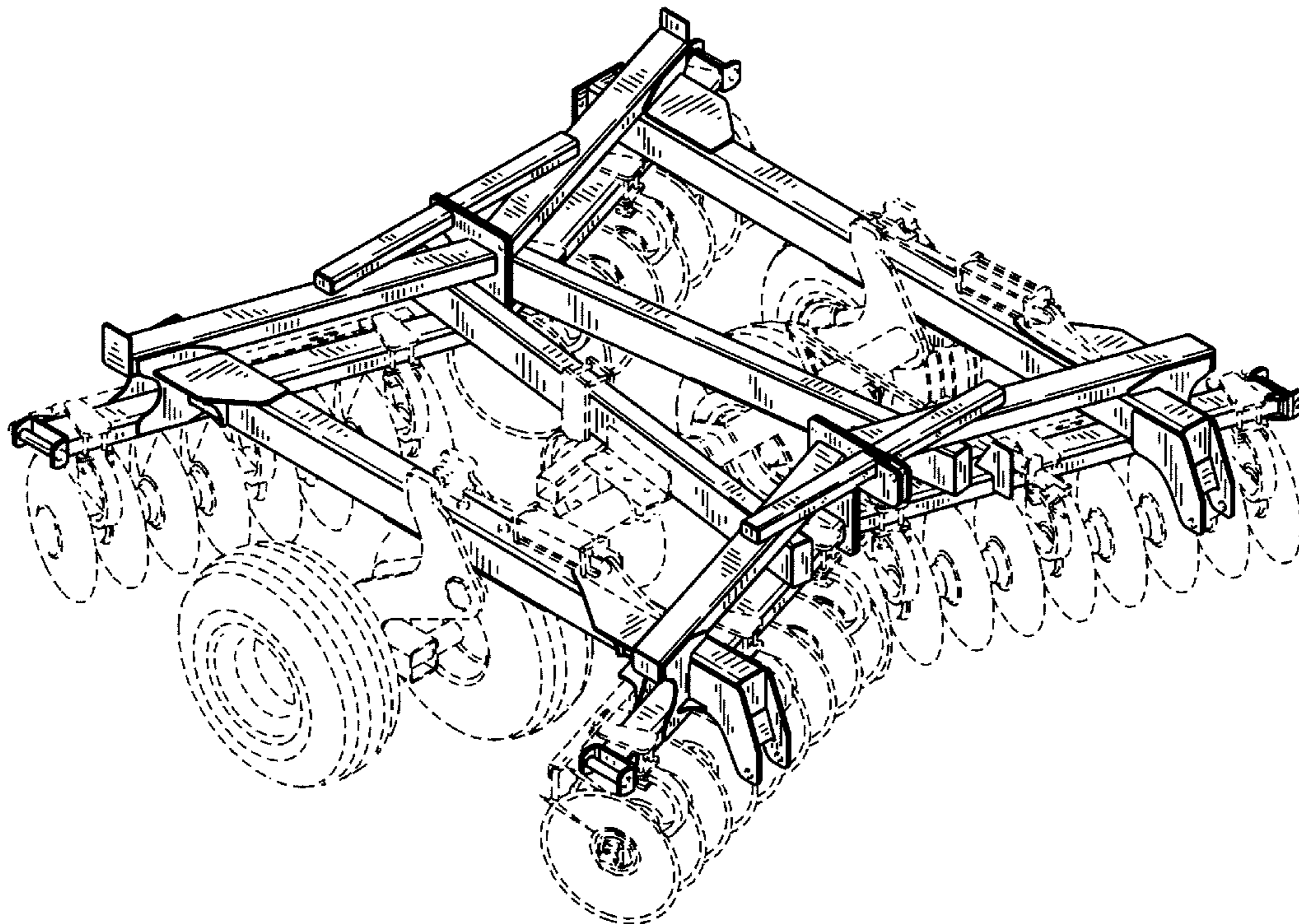


FIG. 1

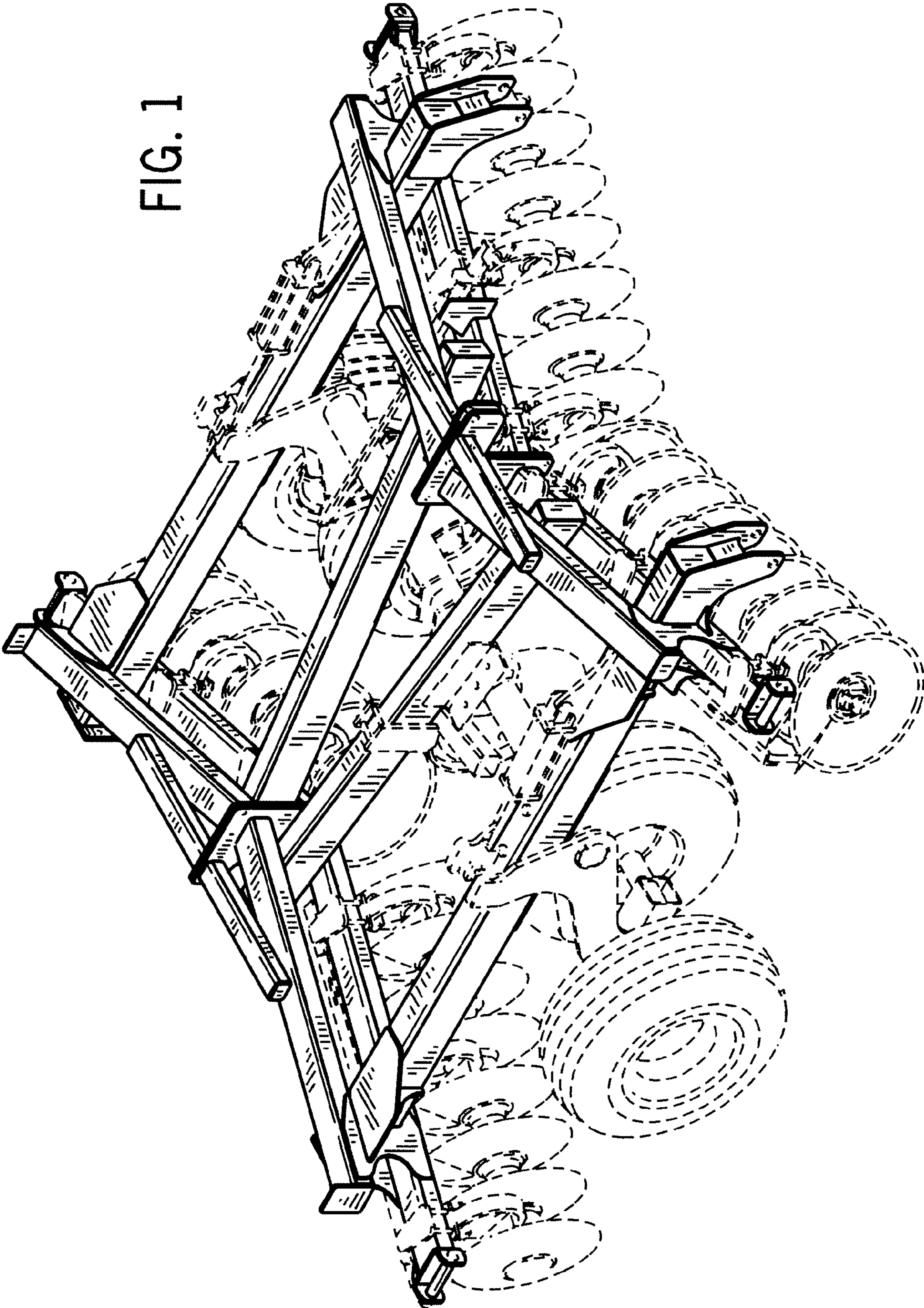
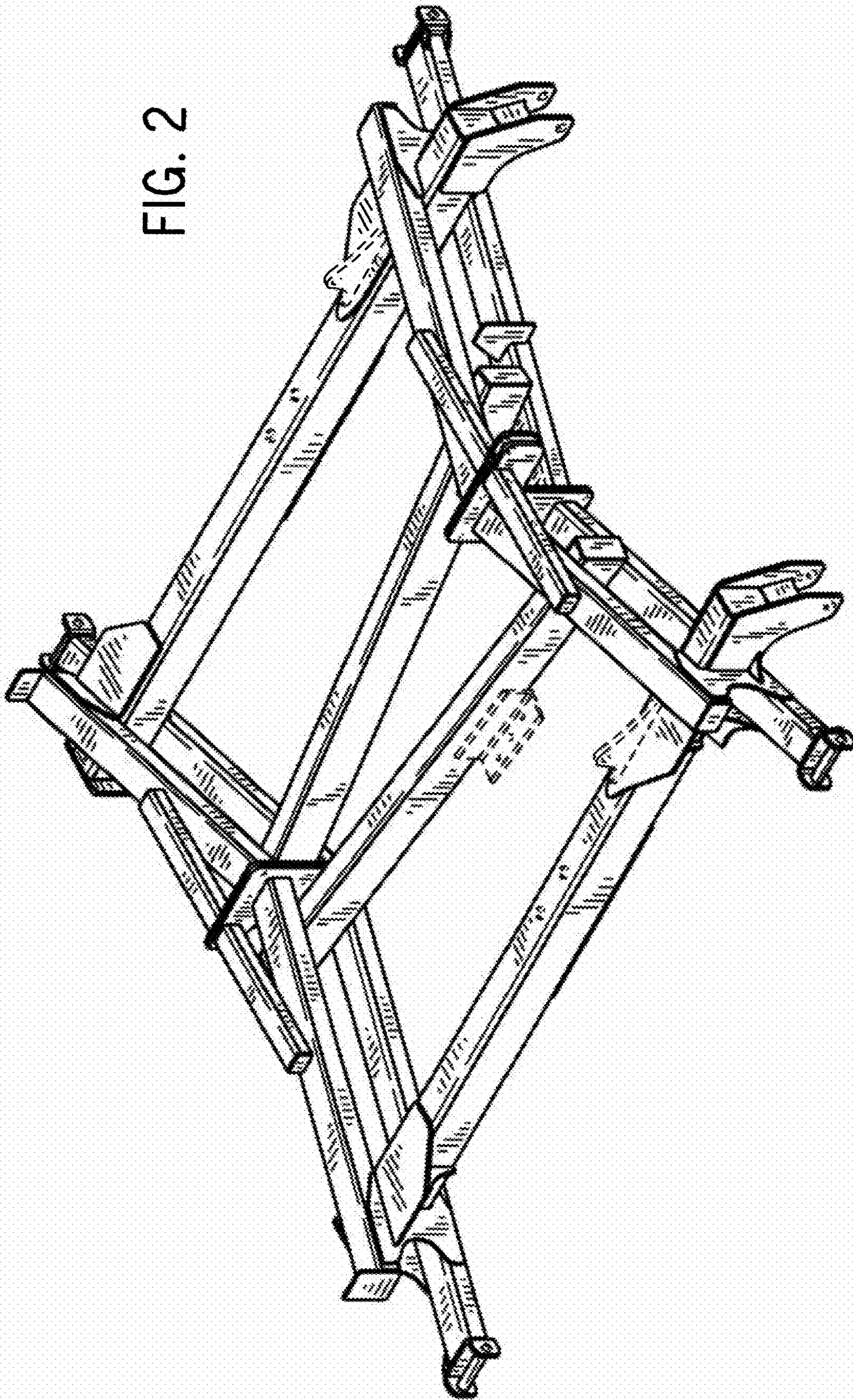


FIG. 2



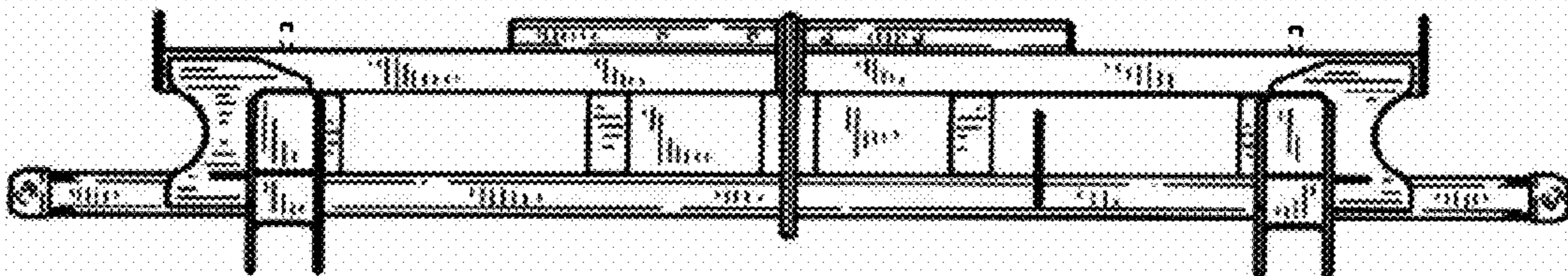
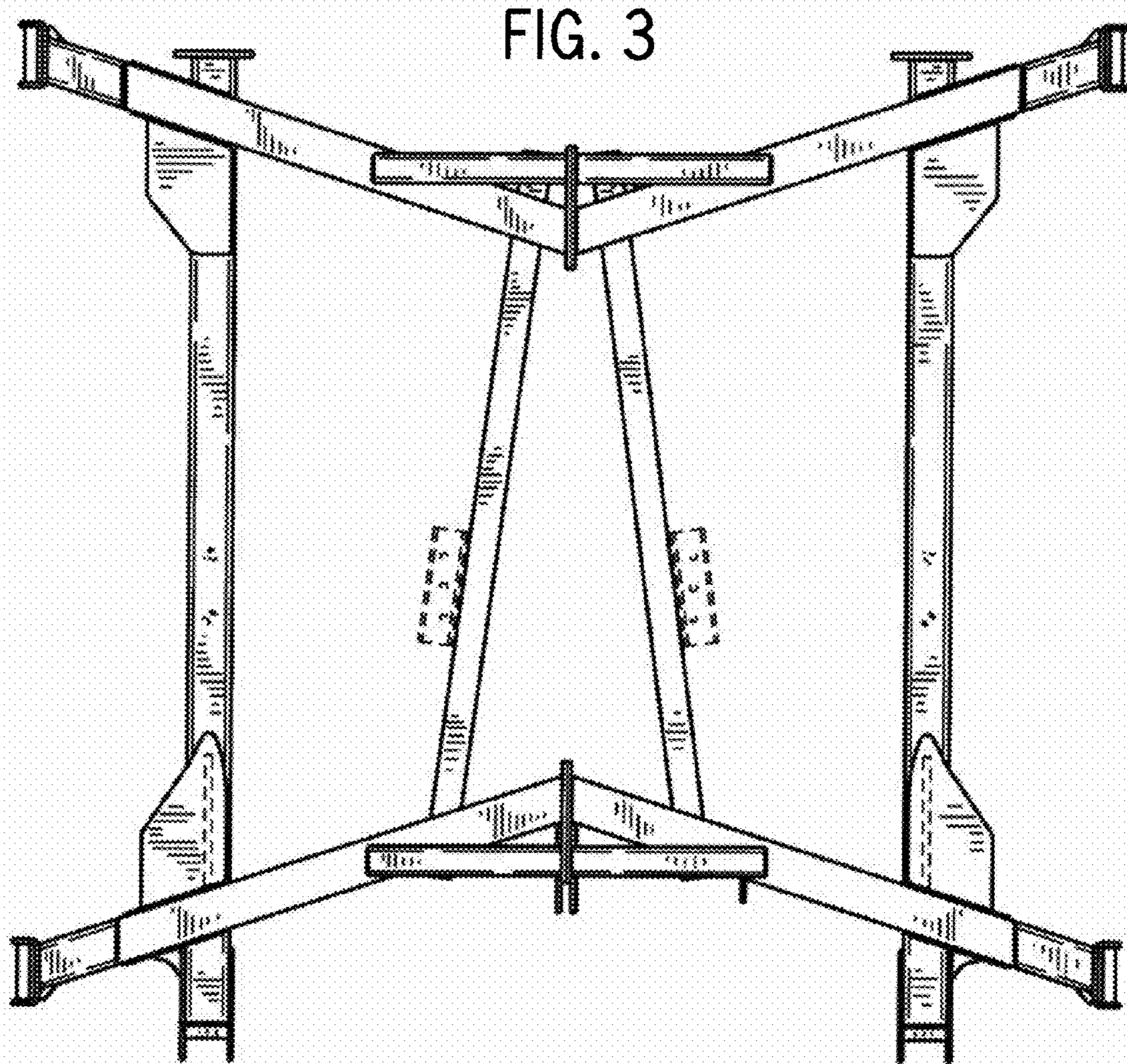


FIG. 4

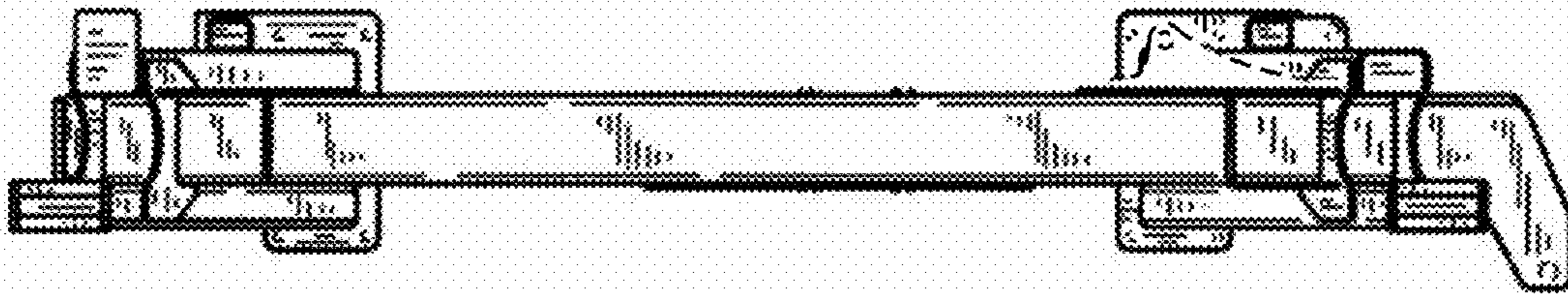


FIG. 5

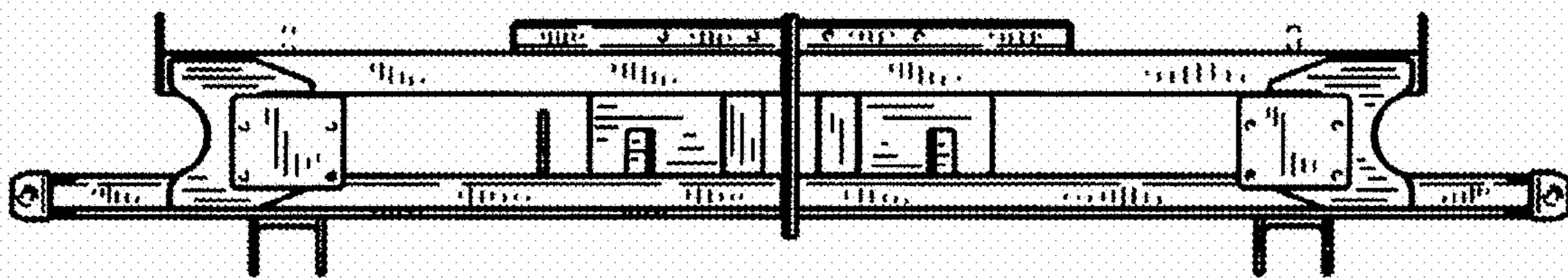


FIG. 6