



US00D628204S

(12) **United States Design Patent**  
**Matsui et al.**

(10) **Patent No.:** **US D628,204 S**

(45) **Date of Patent:** **\*\* Nov. 30, 2010**

(54) **DISPLAY**

(75) Inventors: **Seiji Matsui**, Minato-ku (JP); **Naoto Fukasawa**, Shibuya-ku (JP)

(73) Assignee: **NEC Display Solutions, Ltd.**, Tokyo (JP)

(\*\*) Term: **14 Years**

(21) Appl. No.: **29/356,034**

(22) Filed: **Feb. 18, 2010**

(30) **Foreign Application Priority Data**

Aug. 21, 2009 (JP) ..... 2009-19197

(51) **LOC (9) Cl.** ..... **08-07**

(52) **U.S. Cl.** ..... **D14/451**

(58) **Field of Classification Search** ..... D14/448, D14/449, 450, 451, 452, 432, 439, 440, 305, D14/306, 307, 336, 339, 340, 356, 371, 372, D14/373, 374, 375, 376, 377, 378, 379, 380, D14/381, 382, 125, 126, 127, 128, 129, 239; D6/300, 308; D3/218, 271.2; D19/26, 27, D19/32, 33, 91; 348/794, 832; 361/679.21, 361/679.22, 679.02, 679.04, 679.05, 679.06; 248/917, 918, 919, 920, 921, 922, 923, 924, 248/442.2; 345/32, 609, 738; 349/58; 206/320; 40/765, 771

See application file for complete search history.

(56) **References Cited**

U.S. PATENT DOCUMENTS

6,378,830 B1 \* 4/2002 Lu ..... 248/278.1

D473,869 S \* 4/2003 Tai ..... D14/375  
D478,088 S \* 8/2003 Hamouz ..... D14/451  
D531,179 S \* 10/2006 Yamashiro et al. .... D14/375  
D540,321 S \* 4/2007 Hasegawa et al. .... D14/375  
D545,312 S \* 6/2007 Kim ..... D14/375  
D547,313 S \* 7/2007 Kim ..... D14/375  
D552,089 S \* 10/2007 Fujii et al. .... D14/239  
D575,783 S \* 8/2008 Hean et al. .... D14/375  
D588,117 S \* 3/2009 Arai ..... D14/239  
D589,959 S \* 4/2009 Han ..... D14/373  
D605,146 S \* 12/2009 Kim et al. .... D14/126  
2007/0210231 A1 \* 9/2007 Sim et al. .... 248/371

\* cited by examiner

*Primary Examiner*—Angela J Lee

(74) *Attorney, Agent, or Firm*—Sughrue Mion, PLLC

(57) **CLAIM**

The ornamental design for a display, as shown and described.

**DESCRIPTION**

FIG. 1 is a front, left side, top perspective view of a display showing our new design;

FIG. 2 is a front elevational view thereof;

FIG. 3 is a rear elevational view thereof;

FIG. 4 is a left side view thereof;

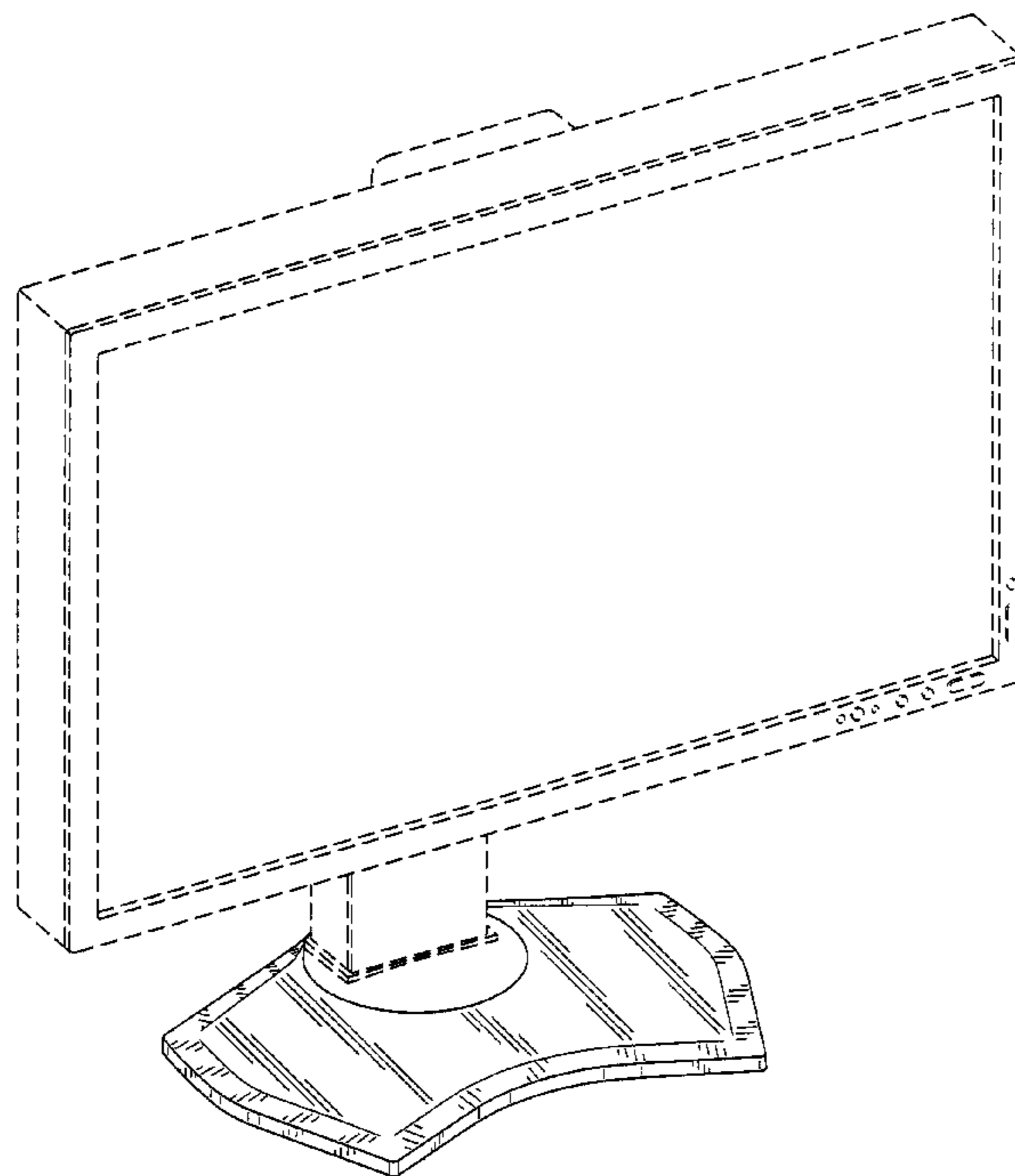
FIG. 5 is a right side view thereof;

FIG. 6 is a top plan view thereof; and,

FIG. 7 is a bottom plan view thereof.

The portions of the display in broken lines are shown for illustrative purposes only and form no part of the claimed design.

**1 Claim, 6 Drawing Sheets**



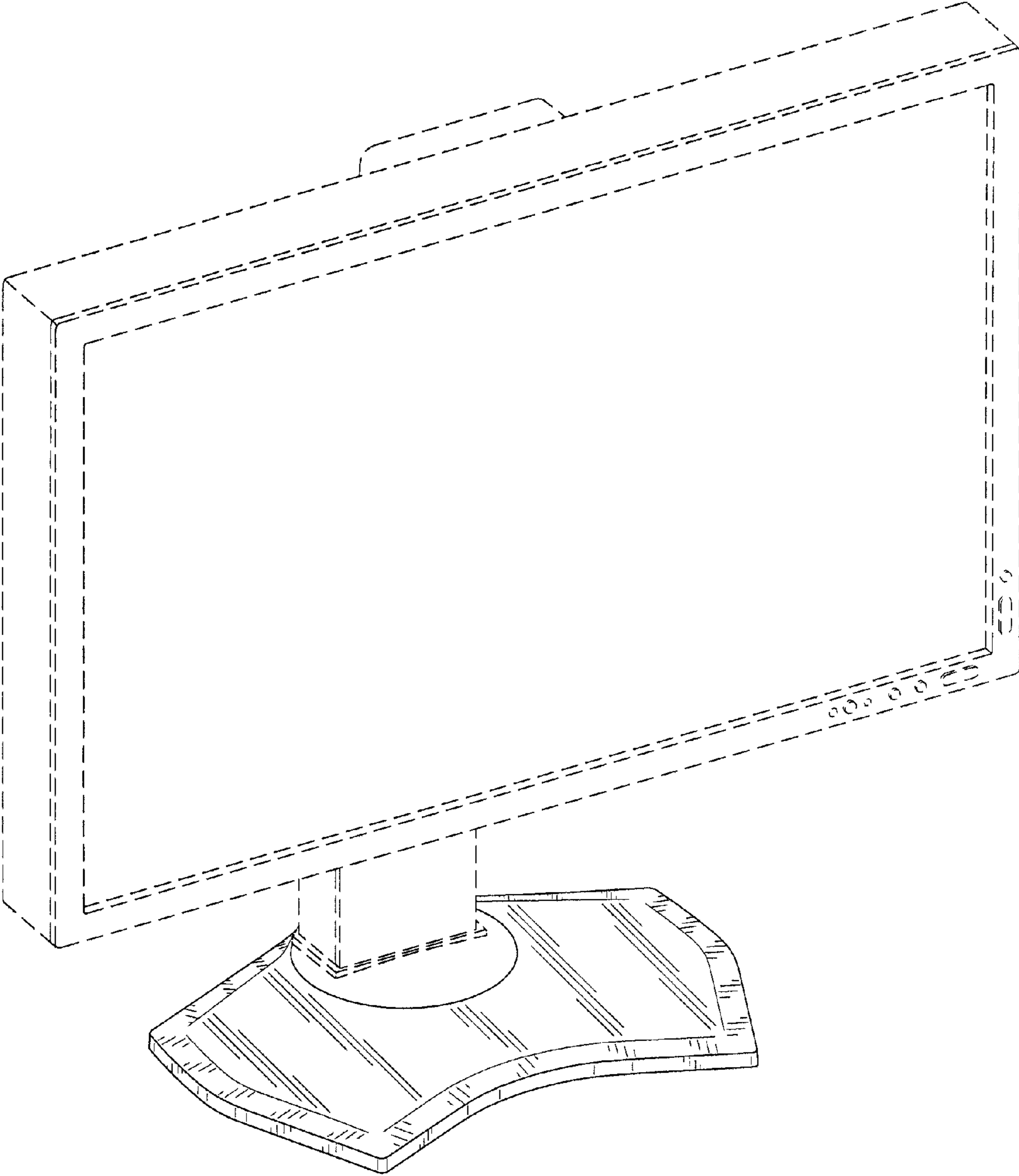


FIG. 1

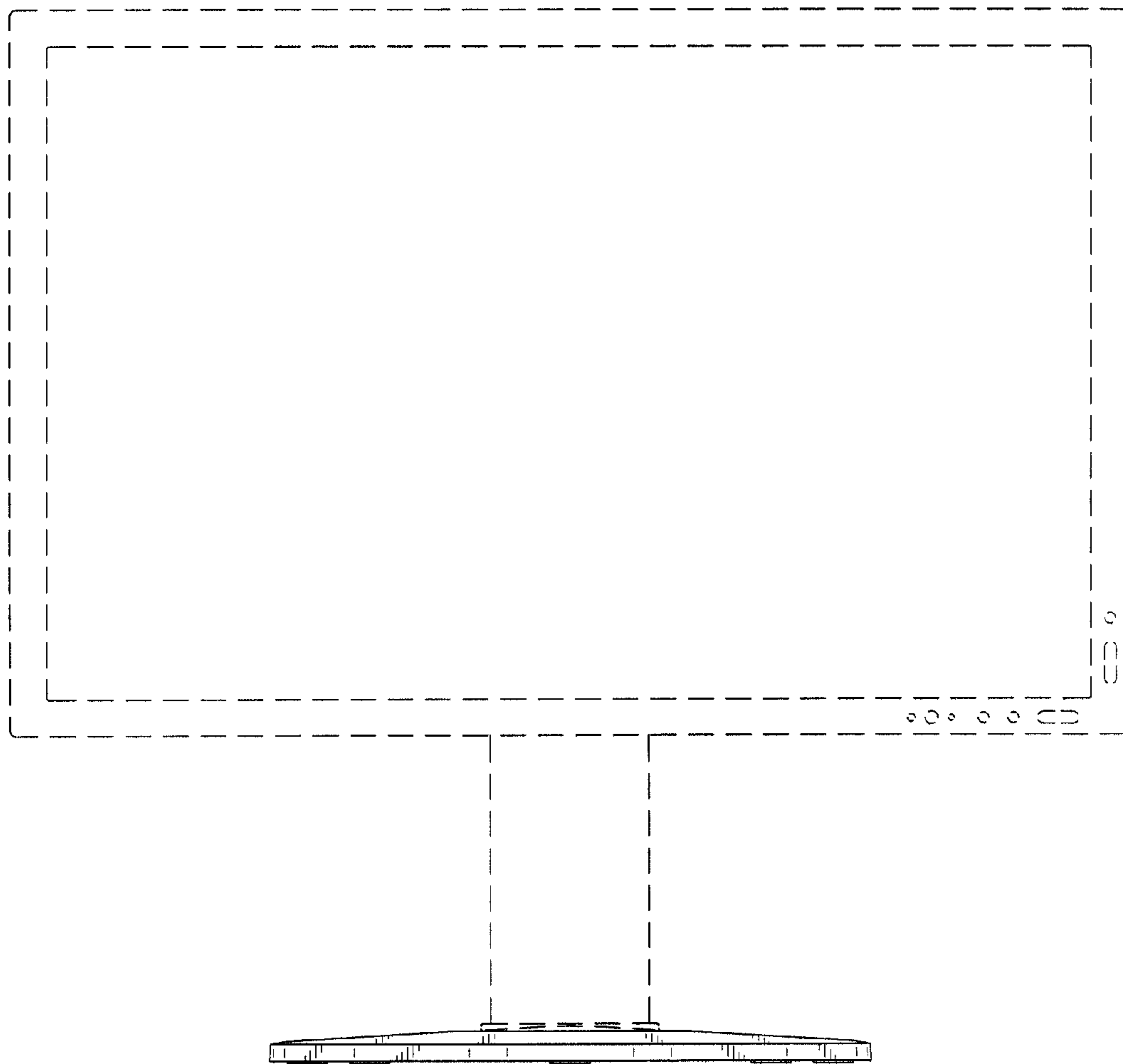


FIG. 2

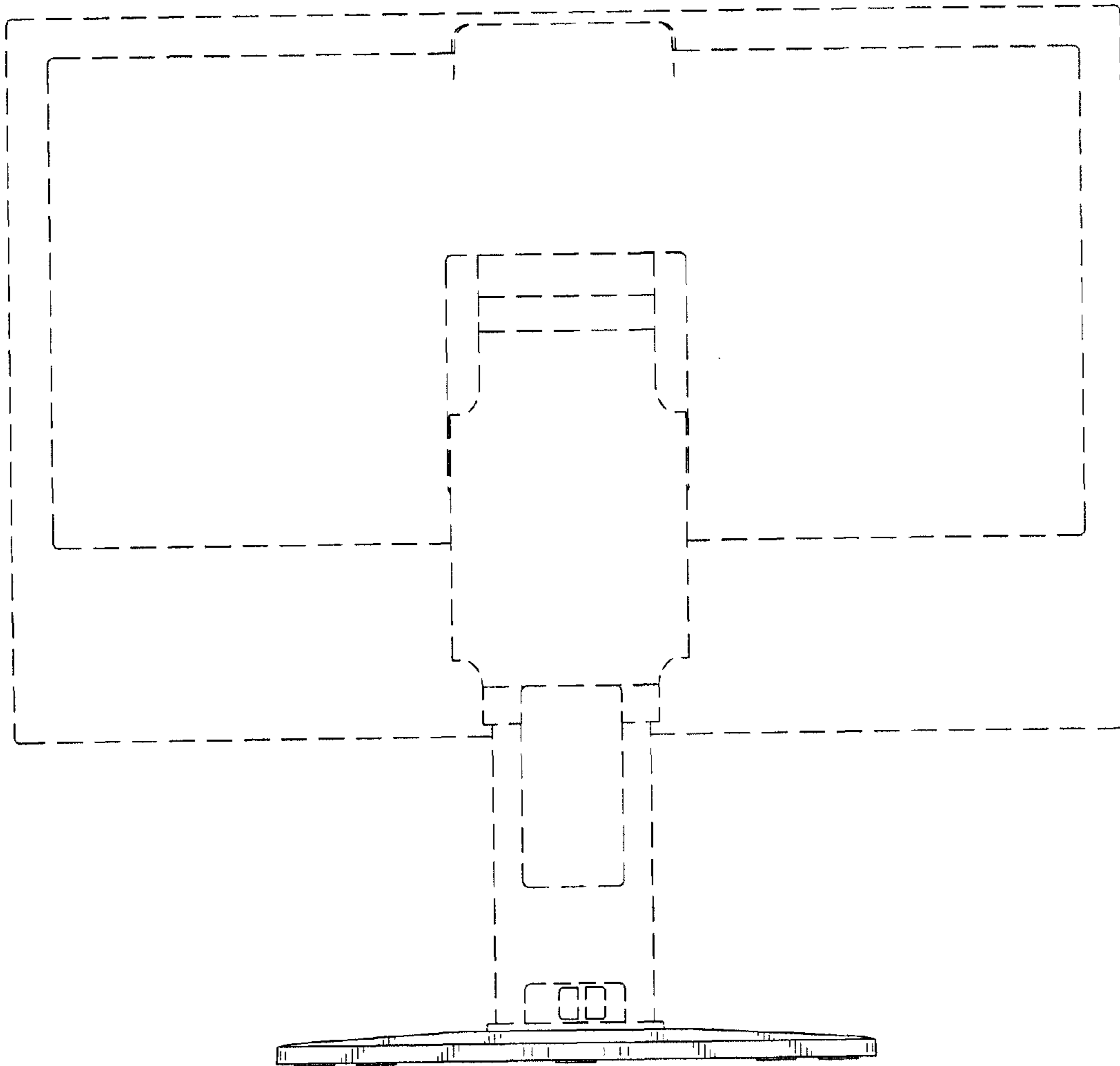


FIG. 3

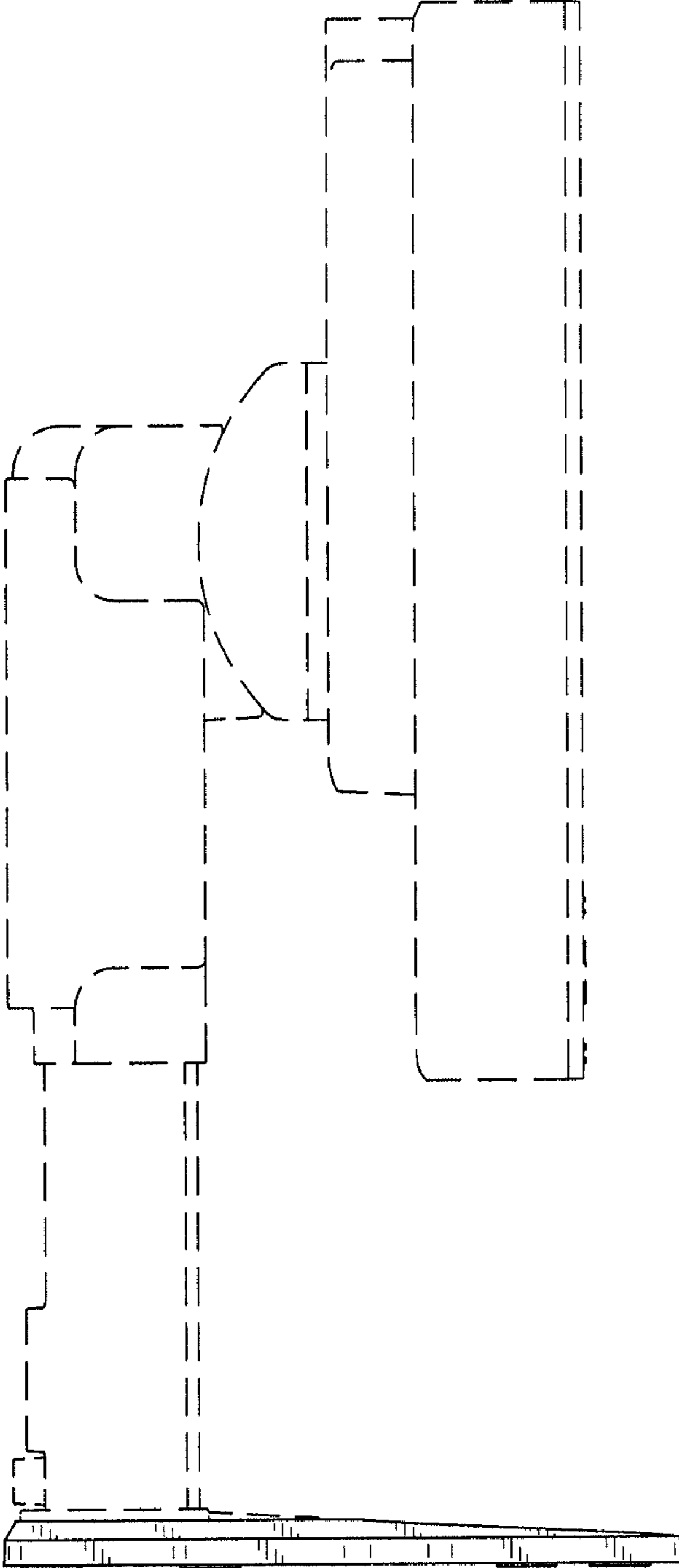


FIG. 4

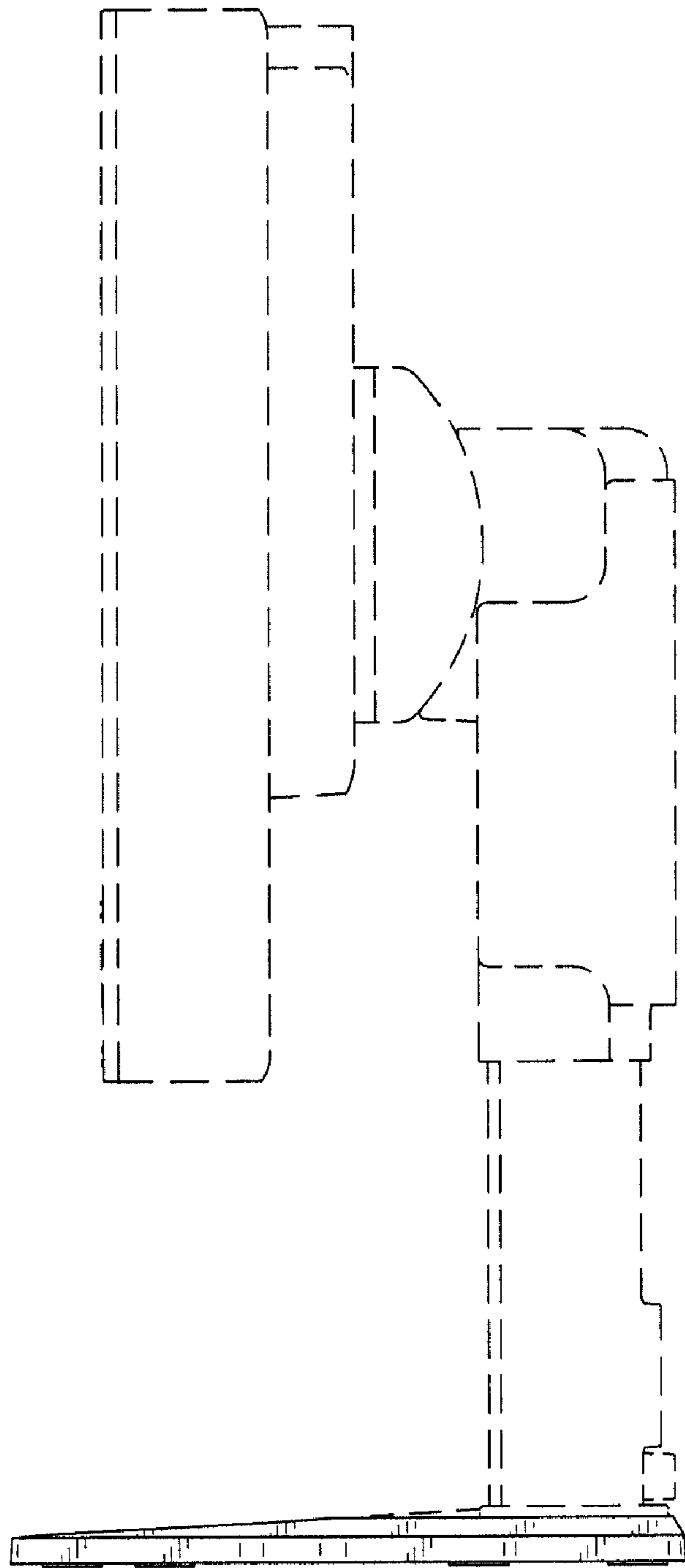


FIG. 5

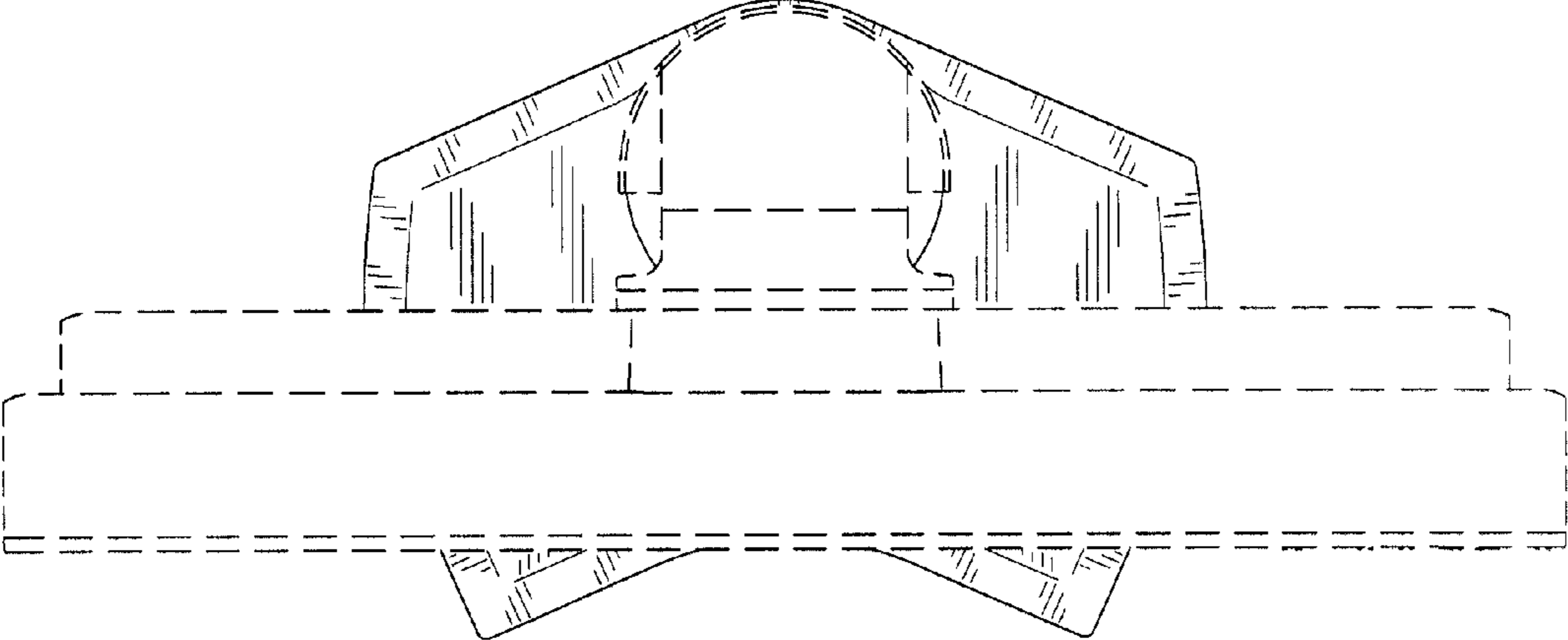


FIG. 6

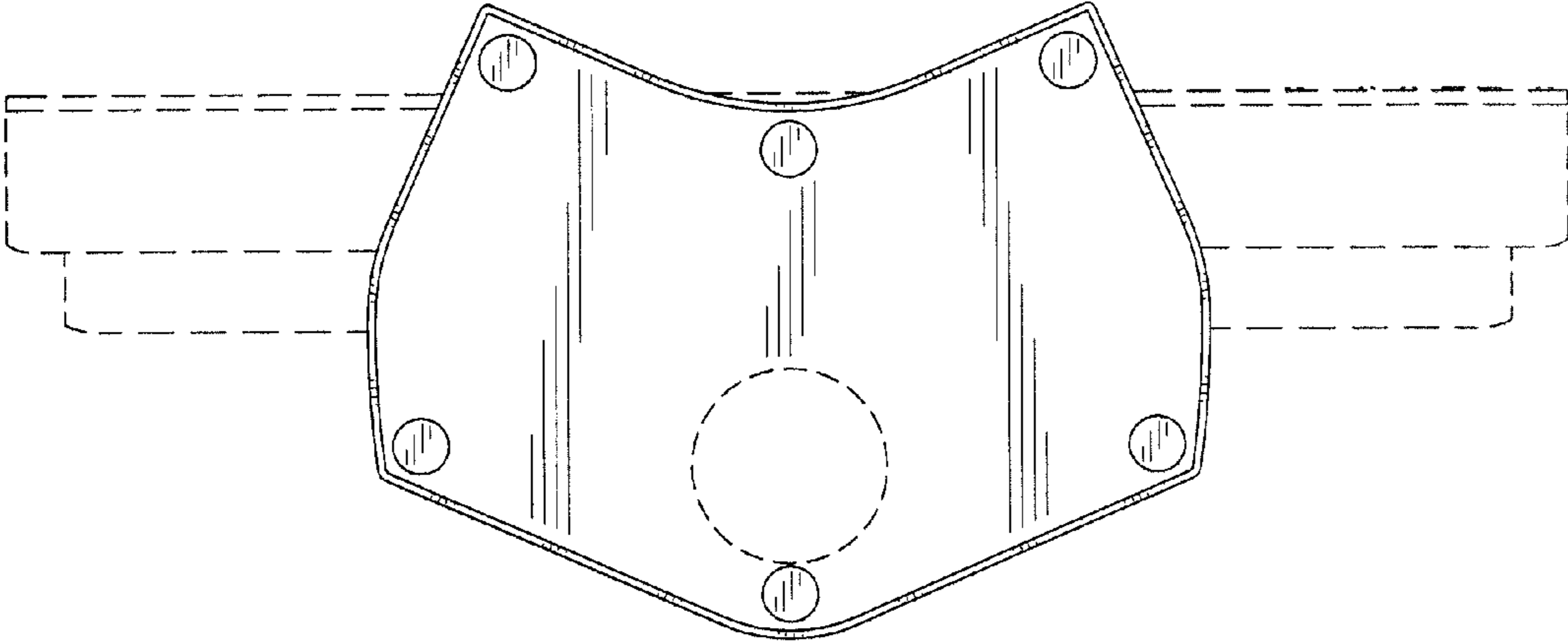


FIG. 7