



US00D628202S

(12) **United States Design Patent**
Pomerantz et al.

(10) **Patent No.:** **US D628,202 S**
(45) **Date of Patent:** **** Nov. 30, 2010**

(54) **MICROSD MEMORY CARD WITH DIFFERENT COLOR SURFACES**

(75) Inventors: **Itzhak Pomerantz**, Kefar Sava (IL);
Robert C. Miller, San Jose, CA (US)

(73) Assignee: **SanDisk Corporation**, Milpitas, CA (US)

(**) Term: **14 Years**

(21) Appl. No.: **29/359,213**

(22) Filed: **Apr. 7, 2010**

Related U.S. Application Data

(62) Division of application No. 29/345,635, filed on Oct. 20, 2009.

(51) **LOC (9) Cl.** **14-02**

(52) **U.S. Cl.** **D14/436**

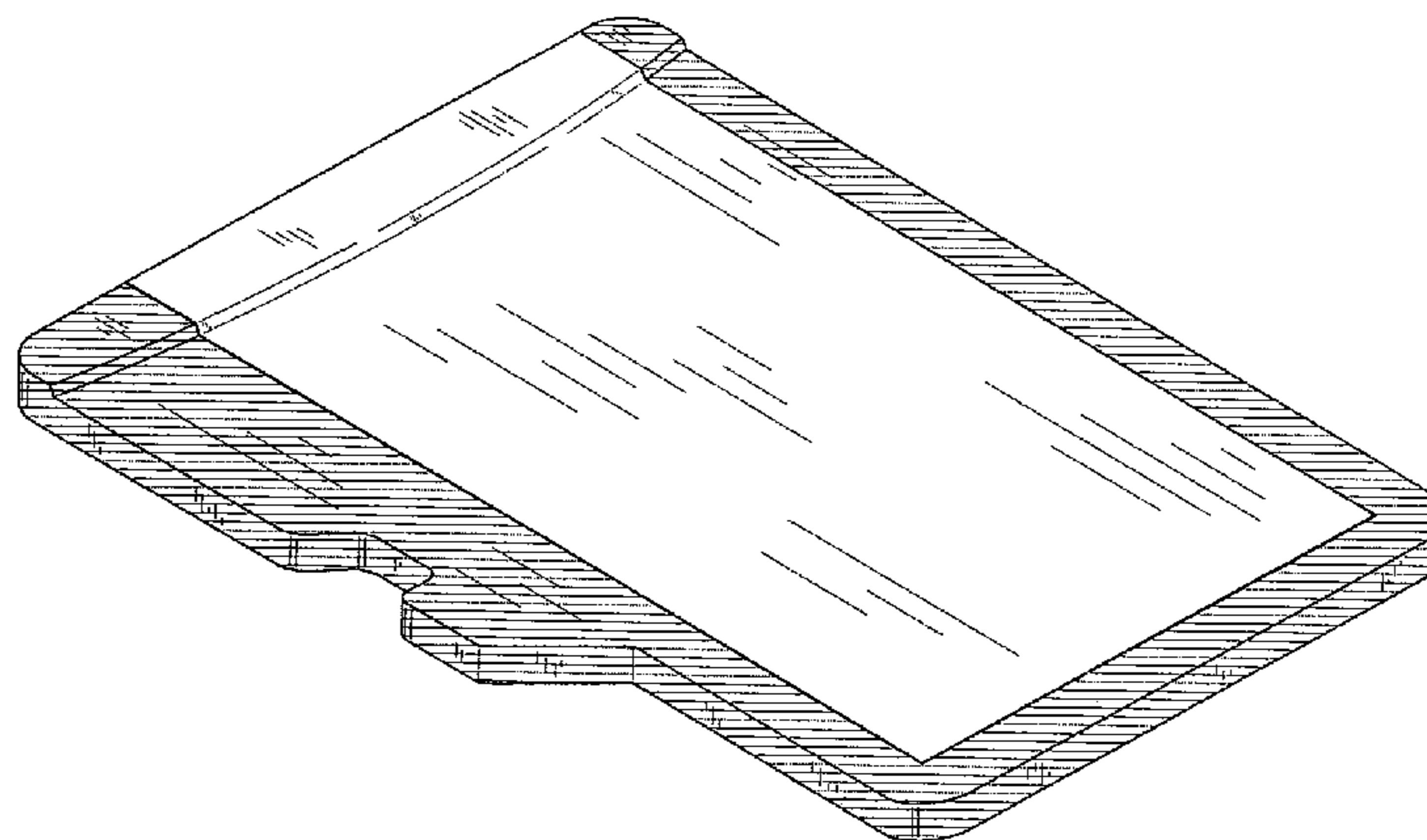
(58) **Field of Classification Search** D14/435-438,
D14/478-480; 235/441, 443, 487, 492-493,
235/495; 361/737, 679, 752, 736, 728, 796,
361/797, 729, 730, 725-727; 257/678, 679,
257/693, E23.064; 439/946, 948, 159; 174/250,
174/260, 52.1, 52.2; 710/300-303; 438/121
See application file for complete search history.

(56) **References Cited**

U.S. PATENT DOCUMENTS

3,688,088	A	8/1972	Brown et al.	
D267,714	S *	1/1983	Tajima et al.	D14/479
D276,400	S	11/1984	Daenen et al.	
4,485,421	A	11/1984	Hoshino	
4,581,716	A	4/1986	Kamiya	
D298,326	S	11/1988	Kimura	
D298,327	S	11/1988	Kimura	
D305,886	S *	2/1990	Banjo et al.	D14/436
D311,391	S *	10/1990	Ueshin et al.	D14/438
5,155,663	A *	10/1992	Harase	361/679.31
D369,156	S	4/1996	Ohmori et al.	
D369,157	S	4/1996	Ohmori et al.	
5,556,108	A *	9/1996	Nagano et al.	463/45

D375,941	S *	11/1996	Kerklaan	D13/182
5,617,297	A *	4/1997	Lo et al.	361/737
5,752,857	A *	5/1998	Knights	439/638
D401,403	S	11/1998	Schreiber	
D405,441	S *	2/1999	Saito et al.	D14/436
D406,861	S	3/1999	Leedy, Jr.	
D408,054	S	4/1999	Leedy, Jr.	
D410,913	S *	6/1999	Saito et al.	D14/436
D415,132	S *	10/1999	Homma et al.	D14/436
6,040,622	A	3/2000	Wallace	
D427,168	S	6/2000	Iwasaki	
6,075,709	A *	6/2000	Yang	361/756
6,097,605	A *	8/2000	Klatt et al.	361/737
6,108,209	A *	8/2000	Cox et al.	361/737
D434,040	S *	11/2000	Yasufuku et al.	D14/433
D434,042	S *	11/2000	Yasufuku et al.	D14/436
D437,323	S *	2/2001	Sugino et al.	D14/435
D438,562	S	3/2001	Webb et al.	
D438,563	S	3/2001	Webb et al.	
6,201,295	B1 *	3/2001	Iwasaki	257/679
6,219,256	B1 *	4/2001	Wu	361/801
D444,060	S	6/2001	Elsener et al.	
D445,797	S	7/2001	Lee et al.	
D446,525	S *	8/2001	Okamoto et al.	D14/436
D449,078	S *	10/2001	Fujita	D21/332
D449,619	S	10/2001	Iwasaki et al.	
D452,244	S *	12/2001	Wallace et al.	D14/436
D452,246	S *	12/2001	Wallace et al.	D14/436
D452,281	S *	12/2001	Ohno	D21/332
D452,690	S	1/2002	Wallace et al.	
D452,691	S	1/2002	Iwasaki et al.	
D452,864	S	1/2002	Wallace et al.	
D452,865	S	1/2002	Wallace et al.	
D453,934	S	2/2002	Wallace et al.	
6,362,957	B1 *	3/2002	Iwasaki	361/679.32
6,381,143	B1	4/2002	Nakamura	
D459,355	S *	6/2002	Shimoda et al.	D14/436
D460,456	S *	7/2002	Shimoda et al.	D14/436
6,433,285	B2	8/2002	Maeda et al.	
6,444,501	B1	9/2002	Bolken	
D464,355	S	10/2002	Burke	
6,457,647	B1 *	10/2002	Kurihashi et al.	235/486
D467,586	S *	12/2002	Shimoda et al.	D14/436
6,490,667	B1	12/2002	Ikeda	
6,501,163	B1	12/2002	Utsumi	
D469,777	S	2/2003	Burke	
6,539,623	B1	4/2003	Chen	
6,540,560	B1 *	4/2003	Ito et al.	439/633
D474,473	S	5/2003	Fischer et al.	



US D628,202 S

Page 2

D476,011 S 6/2003 Taniguchi et al.
 6,573,567 B1 6/2003 Nishizawa et al.
 6,580,615 B1 * 6/2003 Nakanishi et al. 361/737
 D478,358 S * 8/2003 Ashida D21/332
 D479,393 S 9/2003 Weitzman
 6,617,673 B2 9/2003 Lee et al.
 D481,068 S 10/2003 Blossom et al.
 6,632,997 B2 10/2003 Hoffman
 6,646,885 B1 11/2003 Yu et al.
 6,655,972 B2 * 12/2003 Sato 439/159
 D486,331 S 2/2004 Boron
 D488,476 S * 4/2004 Yu et al. D14/436
 D488,477 S * 4/2004 Yu et al. D14/436
 D489,385 S * 5/2004 Lin D16/202
 D491,951 S * 6/2004 Yu et al. D14/436
 D492,686 S * 7/2004 Yu et al. D14/436
 D492,687 S * 7/2004 Yu et al. D14/436
 6,764,346 B2 * 7/2004 Fujita et al. 439/638
 D493,798 S 8/2004 Yu et al.
 D493,799 S * 8/2004 Chiang et al. D14/436
 6,774,469 B2 8/2004 Utsumi
 D498,760 S * 11/2004 Chiang et al. D14/436
 6,820,148 B1 11/2004 Cedar et al.
 6,834,810 B2 12/2004 Maruyama
 6,903,935 B1 6/2005 Chen
 6,908,038 B1 6/2005 Le
 6,910,635 B1 6/2005 Miiks et al.
 6,922,343 B2 7/2005 Nakanishi et al.
 D510,935 S 10/2005 Yamada et al.
 6,954,293 B2 10/2005 Heckenkamp et al.
 6,970,359 B2 11/2005 Gochnour et al.
 6,981,068 B1 * 12/2005 Harari et al. 710/2
 D516,076 S 2/2006 Ko
 D517,559 S 3/2006 Yu et al.
 7,011,251 B1 3/2006 Miiks et al.
 7,030,316 B2 4/2006 Centofante
 D523,435 S 6/2006 Takiar et al.
 7,059,871 B1 6/2006 Hsiao
 D525,248 S 7/2006 Takiar
 D525,623 S 7/2006 Takiar et al.
 D525,978 S 8/2006 Takiar et al.
 7,094,633 B2 8/2006 Takiar
 7,107,378 B1 9/2006 Brewer et al.
 7,112,074 B2 9/2006 Nakai et al.
 D530,343 S * 10/2006 Maruyama et al. D14/496
 D530,741 S 10/2006 Blossom
 D531,181 S * 10/2006 Cuellar et al. D14/436
 7,133,149 B2 11/2006 Keane et al.
 7,137,011 B1 * 11/2006 Harari et al. 713/189
 D533,556 S 12/2006 Yamada et al.
 D537,081 S 2/2007 Takiar et al.
 7,179,129 B1 2/2007 Hwang
 D537,824 S 3/2007 Day et al.
 D538,286 S 3/2007 Takiar et al.
 7,193,161 B1 3/2007 Takiar et al.
 D542,420 S 5/2007 Ravenscroft
 7,220,915 B1 * 5/2007 Park et al. 174/534
 D546,896 S * 7/2007 Ibuki D21/332
 D547,727 S * 7/2007 Sasaki D13/147
 D552,002 S 10/2007 Eisler
 D552,098 S 10/2007 Nishizawa et al.
 D552,099 S 10/2007 Nishizawa et al.
 D552,612 S * 10/2007 Nishizawa et al. D14/436
 D554,123 S 10/2007 Day et al.
 7,286,257 B1 10/2007 Morgavi
 7,291,903 B2 11/2007 Nishizawa et al.
 D556,764 S 12/2007 Nishizawa et al.
 7,303,127 B2 12/2007 Brewer et al.
 7,306,160 B2 12/2007 Takiar et al.
 7,306,161 B2 12/2007 Takiar et al.
 7,307,848 B2 12/2007 Takiar
 D560,717 S 1/2008 Robertson et al.
 7,335,034 B1 2/2008 Liu

7,336,498 B2 2/2008 Takiar et al.
 D568,151 S 5/2008 Moffat et al.
 7,374,104 B2 5/2008 Aoki et al.
 7,393,246 B2 7/2008 Chi
 7,410,376 B2 8/2008 Ying et al.
 7,416,132 B2 8/2008 Takiar et al.
 D579,044 S 10/2008 Lasch et al.
 7,443,690 B2 * 10/2008 Matsumoto et al. 361/737
 D579,940 S * 11/2008 Pepin et al. D14/435
 D581,932 S 12/2008 Nishizawa et al.
 D585,448 S * 1/2009 Kawaguchi et al. D14/435
 D588,598 S * 3/2009 Nakamura D14/436
 D591,752 S * 5/2009 Aoki D14/436
 D591,754 S * 5/2009 Hwangbo et al. D14/436
 D593,600 S 6/2009 Lasch et al.
 D596,007 S 7/2009 Price et al.
 D607,885 S * 1/2010 Otani et al. D14/436
 7,669,773 B2 3/2010 Nishizawa et al.
 7,719,845 B1 * 5/2010 Jang et al. 361/737
 2002/0066790 A1 6/2002 Cocco
 2004/0062109 A1 * 4/2004 Wallace 365/202
 2004/0064619 A1 * 4/2004 Liu et al. 710/301
 2004/0087213 A1 5/2004 Kao
 2004/0090829 A1 5/2004 Miura et al.
 2005/0011671 A1 1/2005 Takiar et al.
 2005/0021909 A1 1/2005 Much et al.
 2005/0037671 A1 2/2005 Yamada et al.
 2005/0105360 A1 5/2005 Takiar et al.
 2005/0111280 A1 5/2005 Takiar et al.
 2005/0148217 A1 7/2005 Takiar et al.
 2005/0253239 A1 11/2005 Nishizawa et al.
 2006/0003609 A1 1/2006 Hwang
 2006/0014434 A1 1/2006 Yamamoto et al.
 2008/0252323 A1 10/2008 Hopkins et al.
 2009/0090782 A1 4/2009 May

FOREIGN PATENT DOCUMENTS

JP 2009205309 A 9/2009
 WO WO 2007/067802 A2 6/2007

OTHER PUBLICATIONS

“Micro SD Card Product Specification, Version 1.0,” TwinMOS Technologies Inc., http://www.sparkfun.com/datasheets/Prototyping/microSD_Spec.pdf, 13 pages, 2001.
 “MiniSD Secure Digital Card, Specification,” Double Top Technology (DTT) Limited, <http://www.dtt8.com/images/minisd%20specification.pdf>, 11 pages, 2006.
 “Elecom Evil 2GB MicroSD Card,” <http://www.geekstuff4u.com/accessories/storage/elecom-evil-2gb-microsd-card.html>, 2 pages, 2008.
 Photographs of Elecom Evil 2GB MicroSD Card, 7 pages, 2009.
 “microSD,” <http://en.wikipedia.org/wiki/Microsd>, 3 pages, 2009.
 “SanDisk 2.0 GB SD card,” 1 page, 2009.
 “SanDisk gruvi micro SD card of the Rolling Stones A Bigger Bang,” http://www.manifest-tech.com/images/consumer_elec/flash_media/rs_big_bang.jpg, 1 page, 2006.
 “SanDisk Receives CES Innovations Design Award for Its Gruvi Rolling Stones Card,” http://www.dexinger.com/design_news/4840.html, Feb. 20, 2006, 3 pages.
 “ImagesNest RIP 2.0,” <http://www.bluecubit.com>, 2007-2009, 2 pages.
 “MicroSD Memory Card with a Semi-Transparent Color Surfaces,” U.S. Appl. No. 29/345,641, filed Oct. 20, 2009, inventors: Itzhak Pomerantz and Robert C. Miller.
 “MicroSD Memory Card with Colored Grip,” U.S. Appl. No. 29/345,643, filed Oct. 20, 2009, inventor: Itzhak Pomerantz.
 Office Action directed against U.S. Appl. No. 29/345,643, 4 pages, filed Apr. 1, 2010.
 Office Action for U.S. Appl. No. 29/345,643, dated Jun. 8, 2010, 5 pages.
 Office Action for U.S. Appl. No. 29/345,635, dated Jun. 11, 2010, 6 pages.

Office Action for U.S. Appl. No. 29/345,641, dated Jun. 11, 2010, 8 pages.

* cited by examiner

Primary Examiner—Susan Moon Lee
(74) Attorney, Agent, or Firm—Brinks Hofer Gilson & Lione

(57) **CLAIM**

The ornamental design for a microSD memory card with different color surfaces, substantially as shown and described.

DESCRIPTION

FIG. 1 is a front perspective view of a microSD memory card with different color surfaces according to a first embodiment of our new design;

FIG. 2 is a top plan view thereof;

FIG. 3 is a bottom plan view thereof;

FIG. 4 is a left side elevation view thereof;

FIG. 5 is a right side elevation view thereof;

FIG. 6 is a rear elevation view thereof;

FIG. 7 is a front elevation view thereof;

FIG. 8 is a front perspective view of a microSD memory card with different color surfaces according to a second embodiment of our new design;

FIG. 9 is a top plan view thereof;

FIG. 10 is a bottom plan view thereof;

FIG. 11 is a left side elevation view thereof;

FIG. 12 is a right side elevation view thereof;

FIG. 13 is a rear elevation view thereof;

FIG. 14 is a front elevation view thereof;

FIG. 15 is a front perspective view of a microSD memory card with different color surfaces according to a third embodiment of our new design;

FIG. 16 is a top plan view thereof;

FIG. 17 is a bottom plan view thereof;

FIG. 18 is a left side elevation view thereof;

FIG. 19 is a right side elevation view thereof;

FIG. 20 is a rear elevation view thereof;

FIG. 21 is a front elevation view thereof;

FIG. 22 is a front perspective view of a microSD memory card with different color surfaces according to a fourth embodiment of our new design;

FIG. 23 is a top plan view thereof;

FIG. 24 is a bottom plan view thereof;

FIG. 25 is a left side elevation view thereof;

FIG. 26 is a right side elevation view thereof;

FIG. 27 is a rear elevation view thereof; and,

FIG. 28 is a front elevation view thereof.

The differently-shaded areas indicate different color surfaces of the microSD memory card but are not intended to indicate specific colors. However, the white unshaded areas depict the color white.

1 Claim, 12 Drawing Sheets

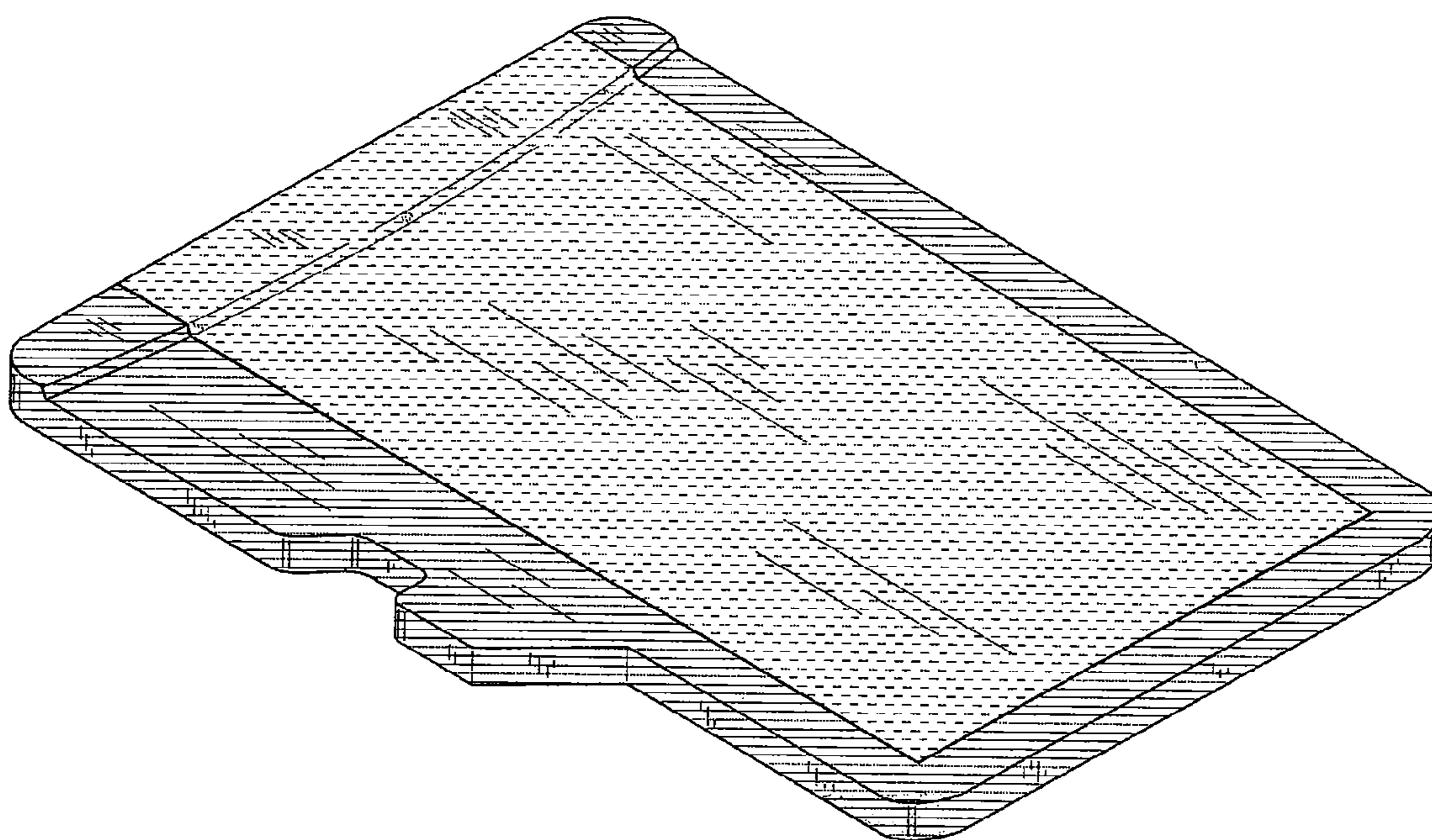


FIG. 1

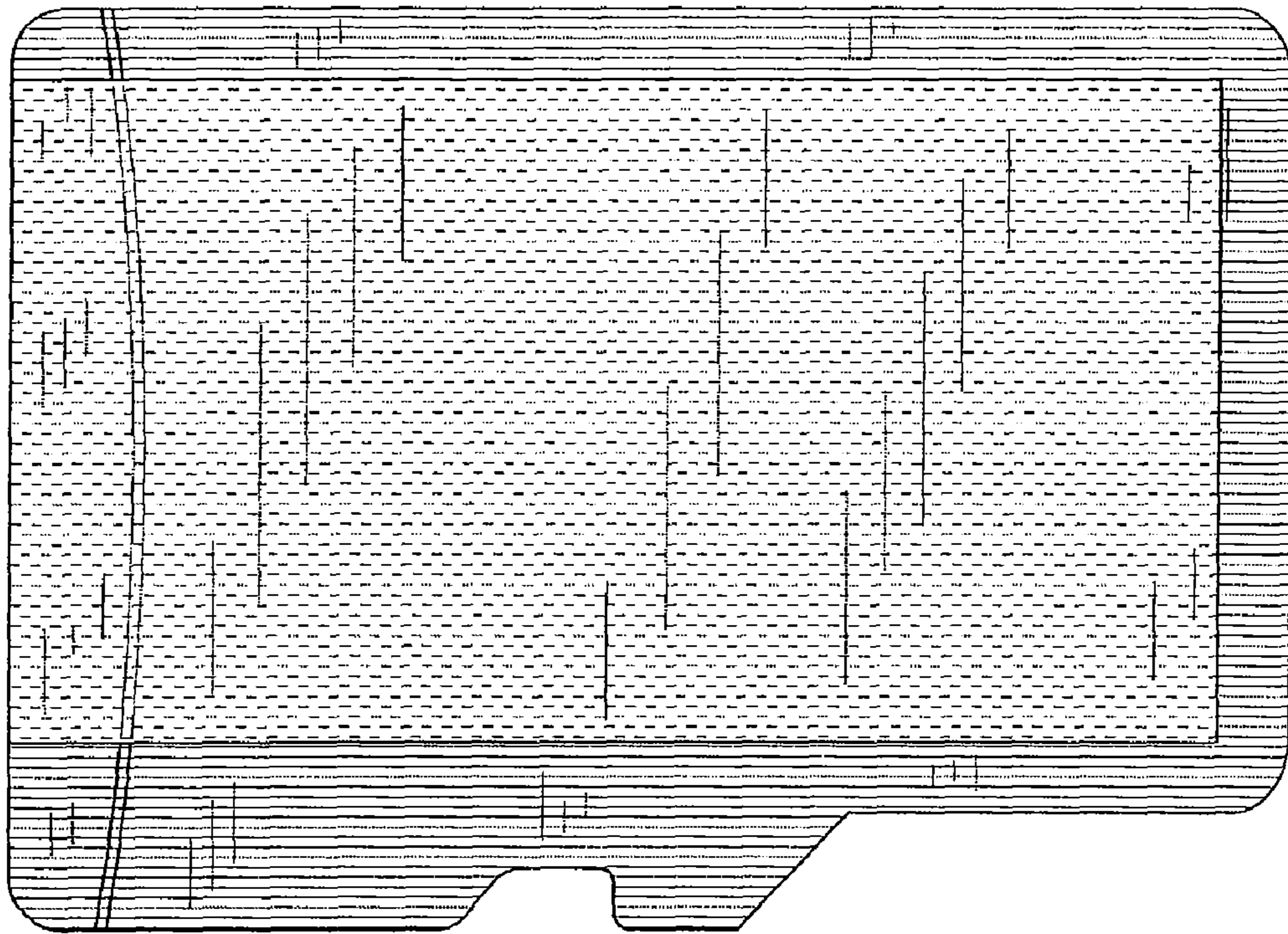


FIG. 2

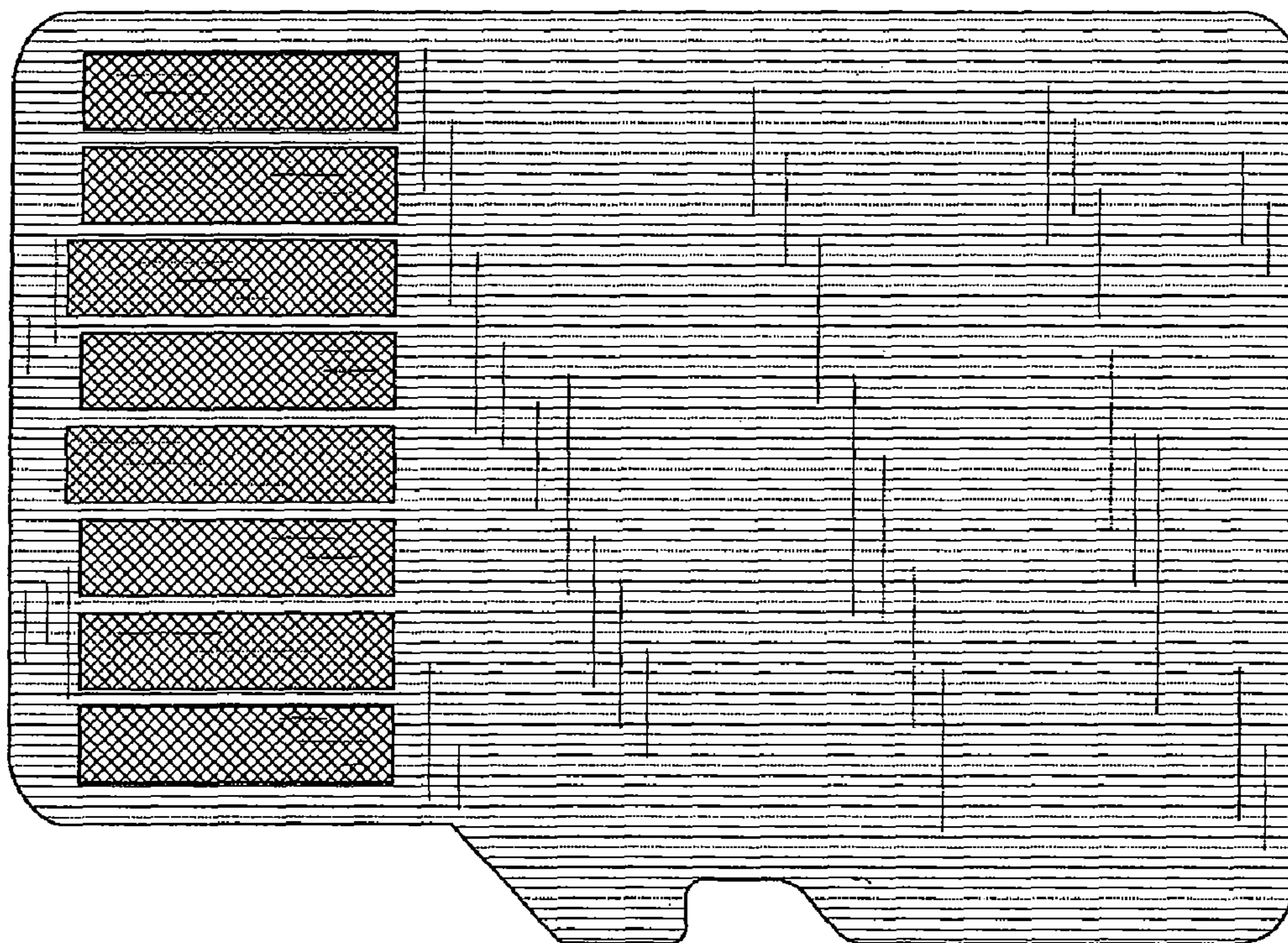


FIG. 3



FIG. 4

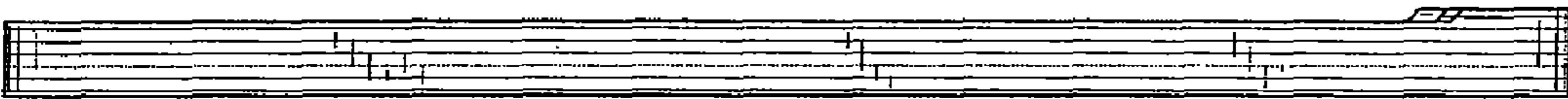


FIG. 5

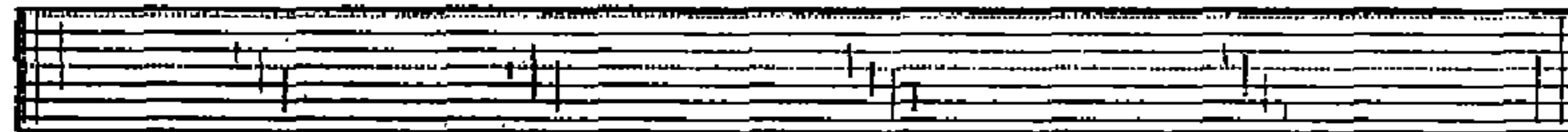


FIG. 6

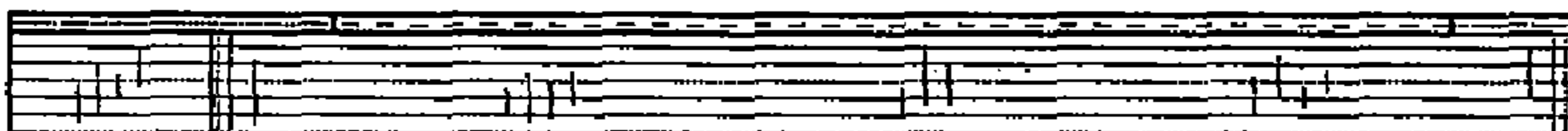


FIG. 7

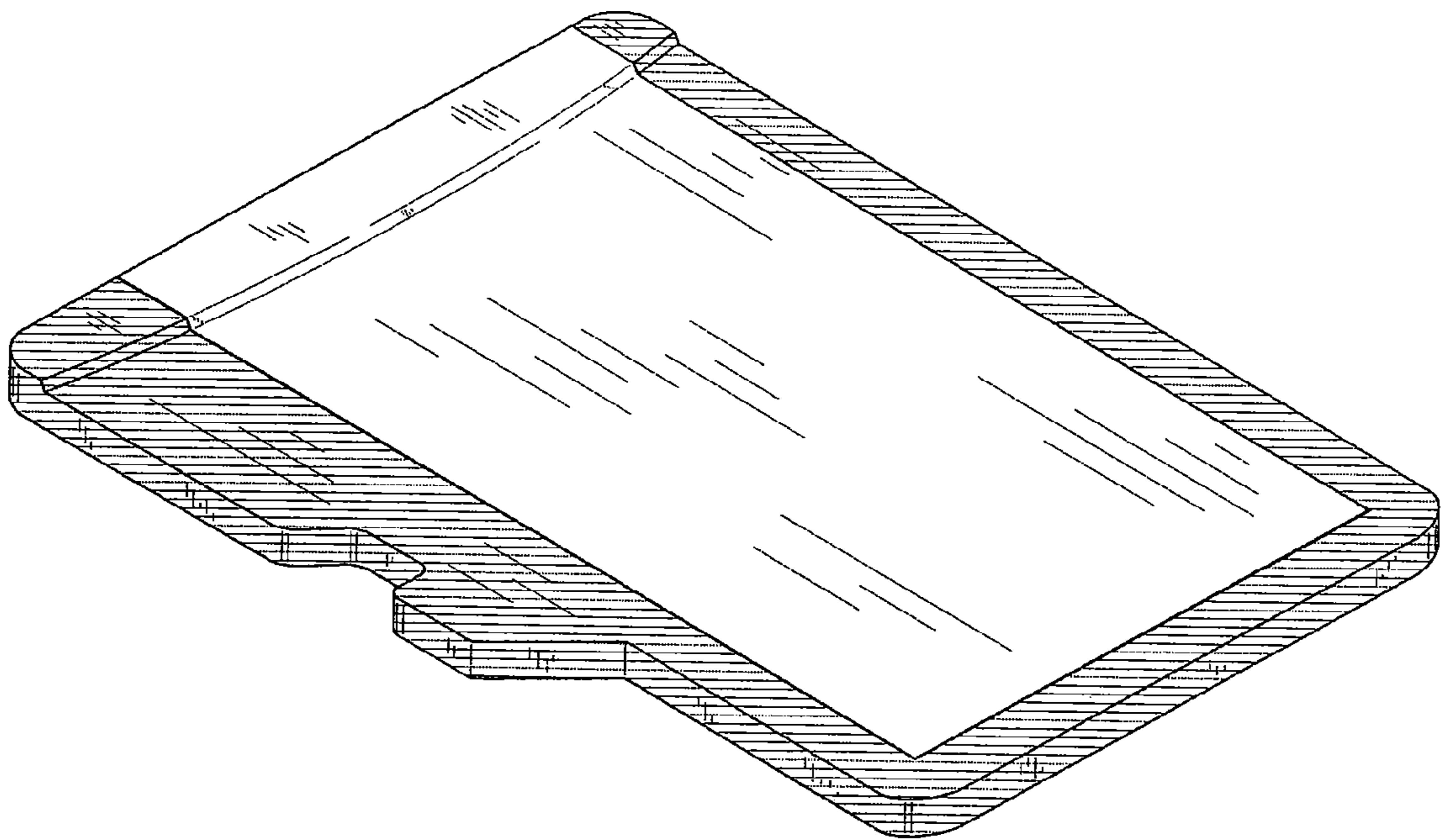


FIG. 8

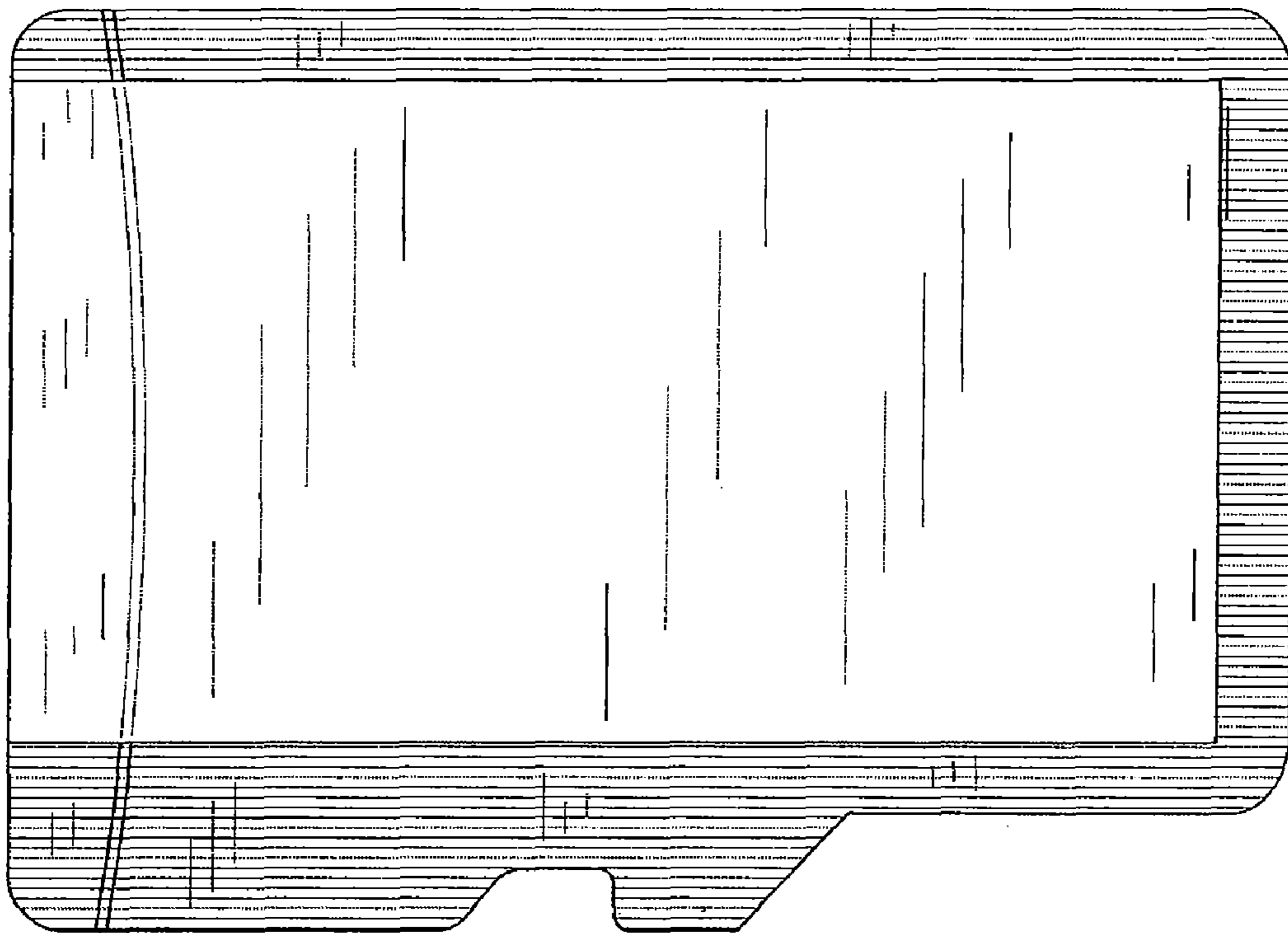


FIG. 9

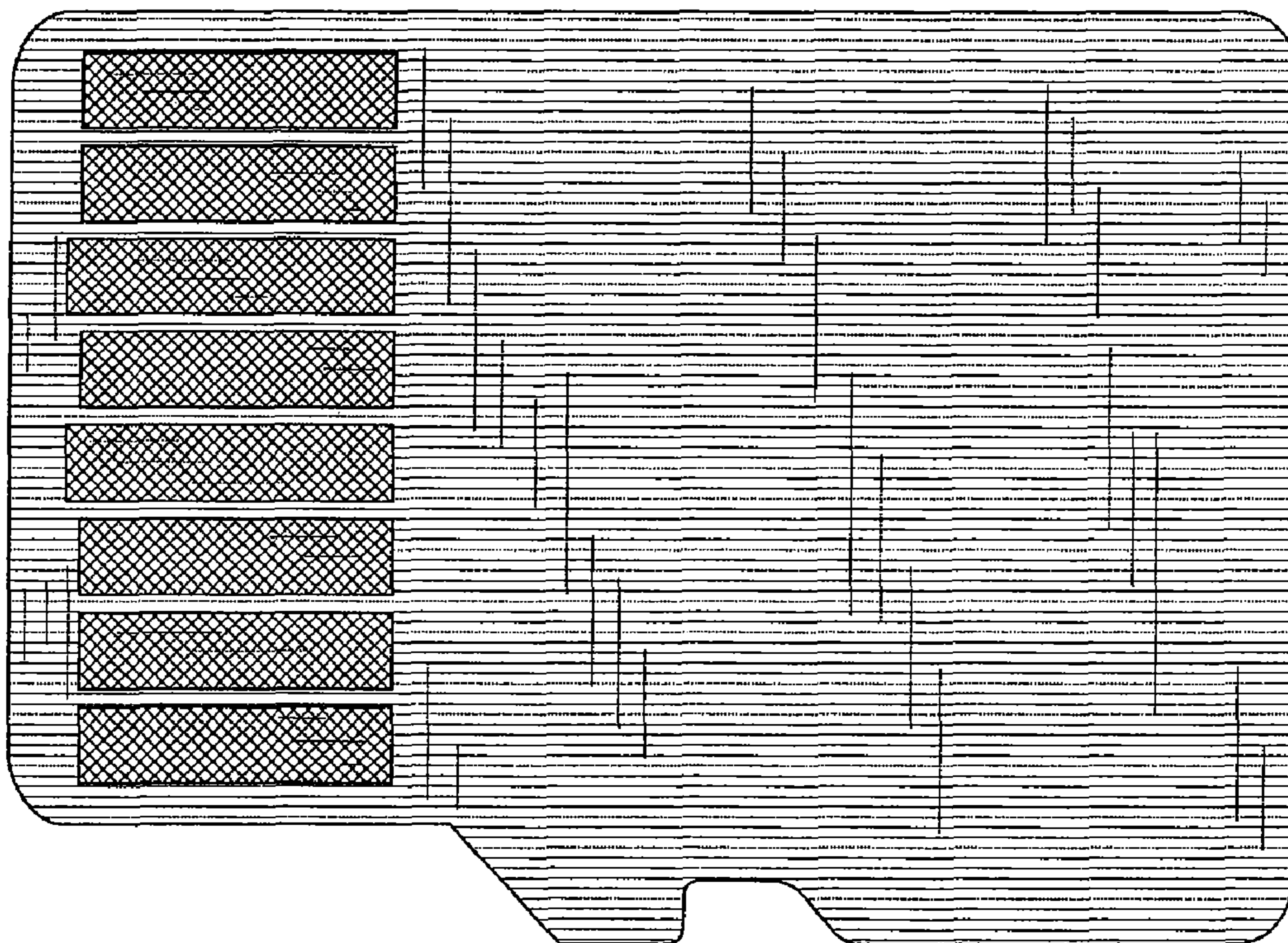


FIG. 10

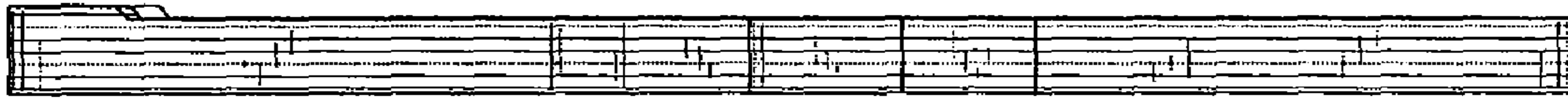


FIG. 11

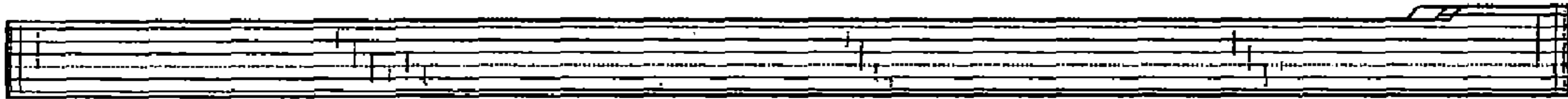


FIG. 12

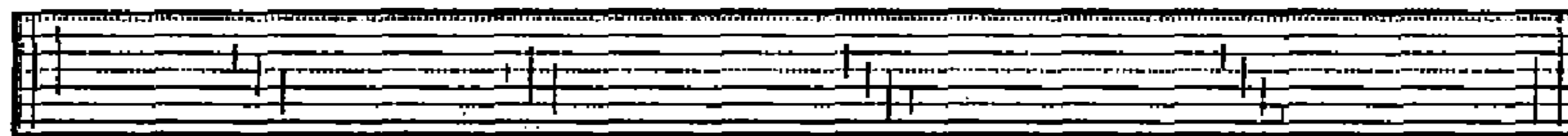


FIG. 13

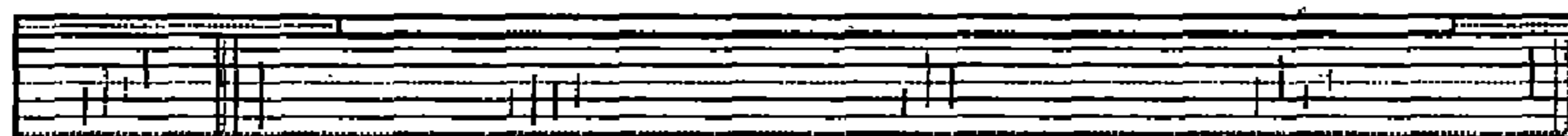


FIG. 14

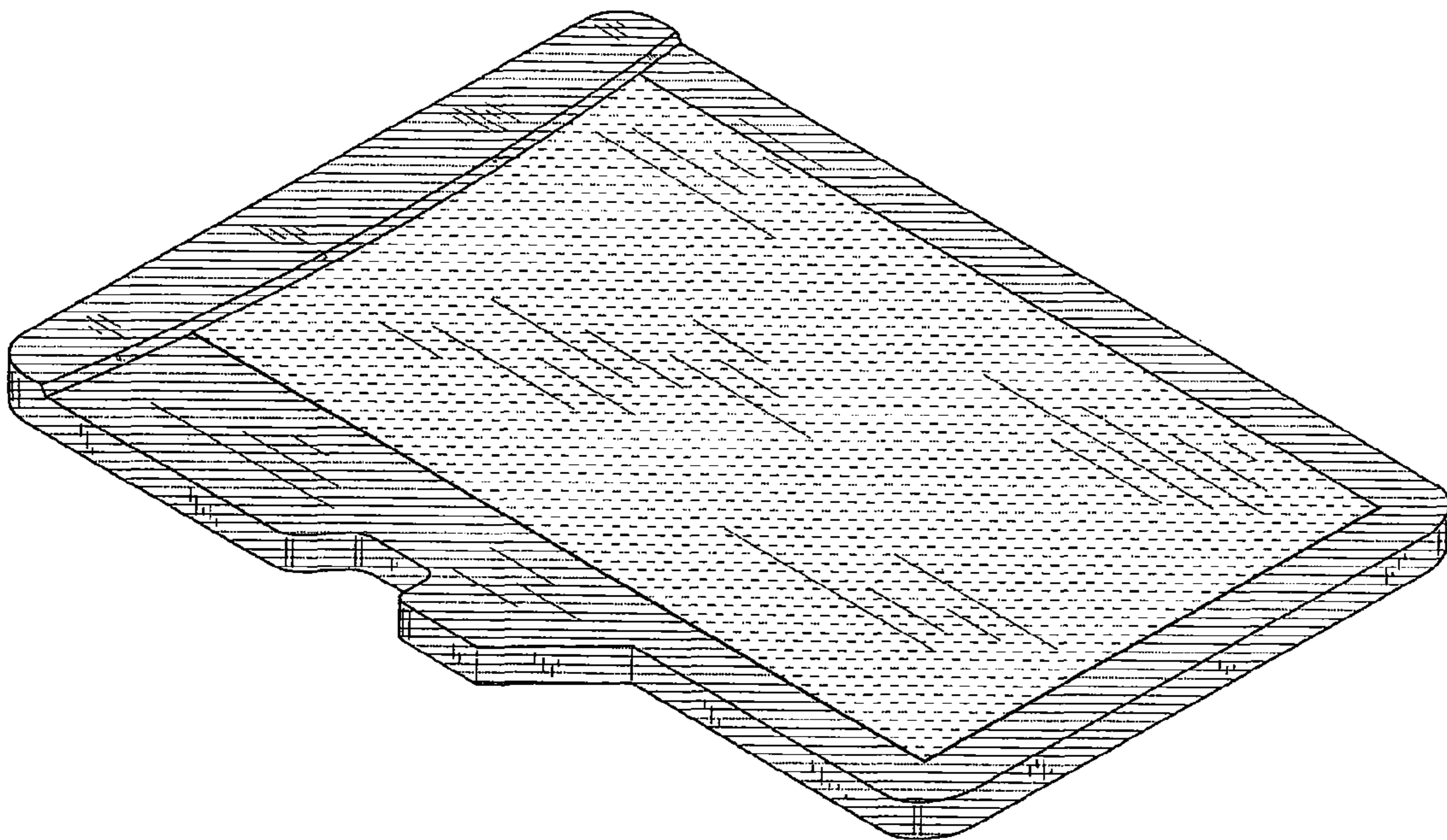


FIG. 15

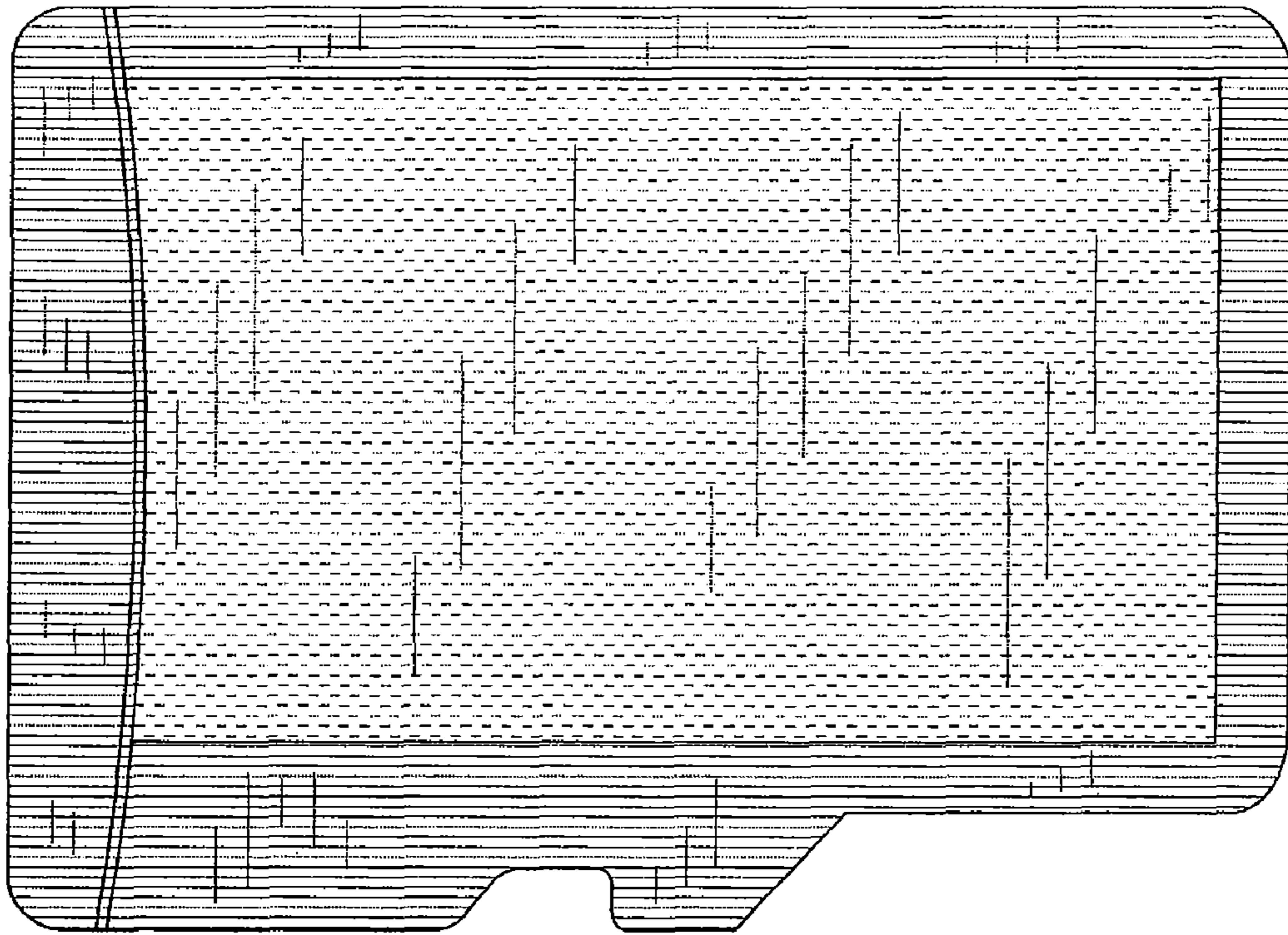


FIG. 16

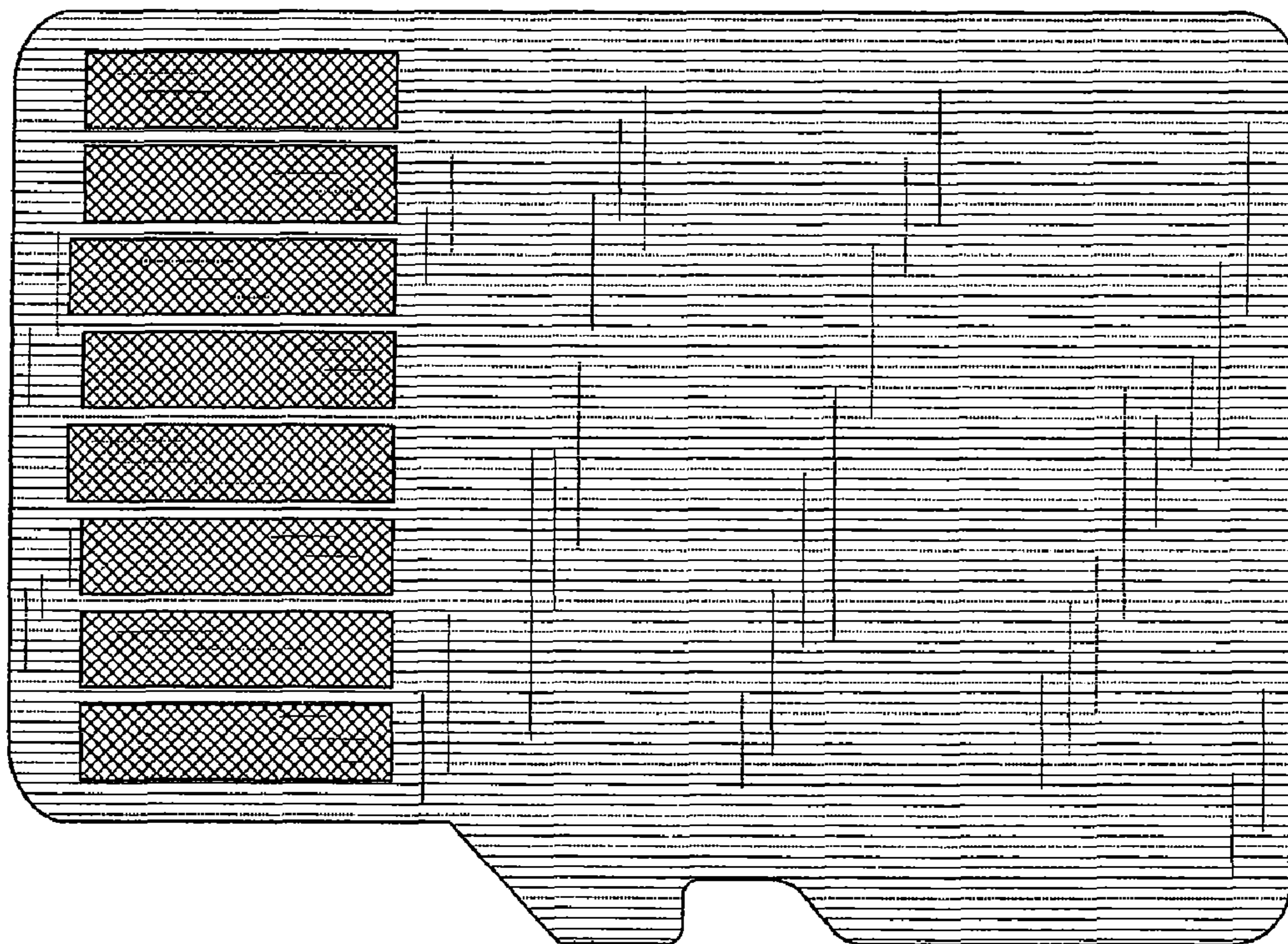


FIG. 17

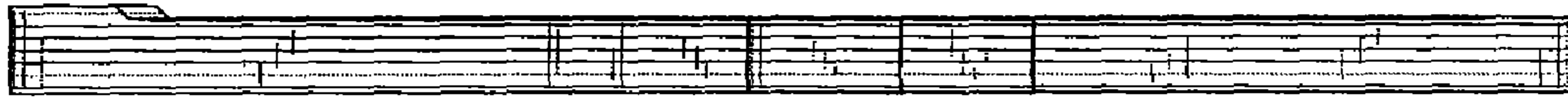


FIG. 18

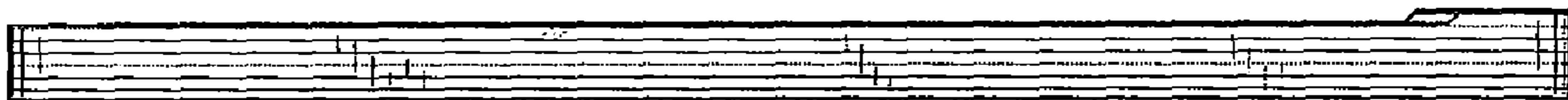


FIG. 19

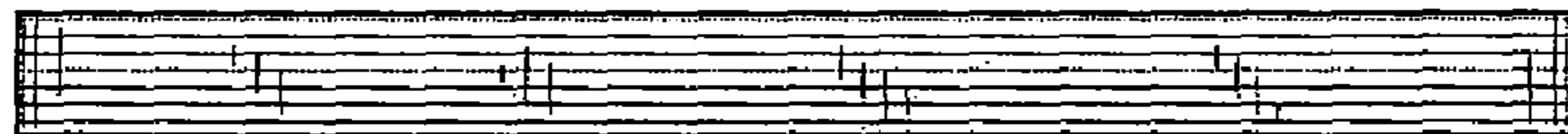


FIG. 20

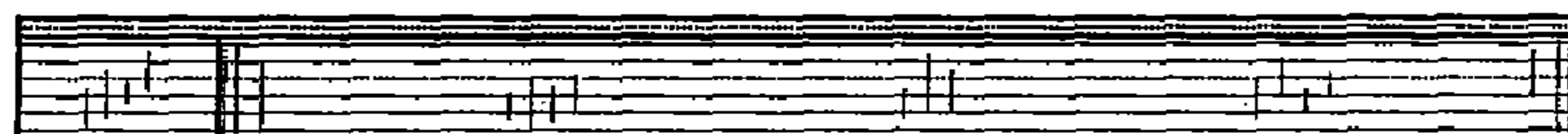


FIG. 21

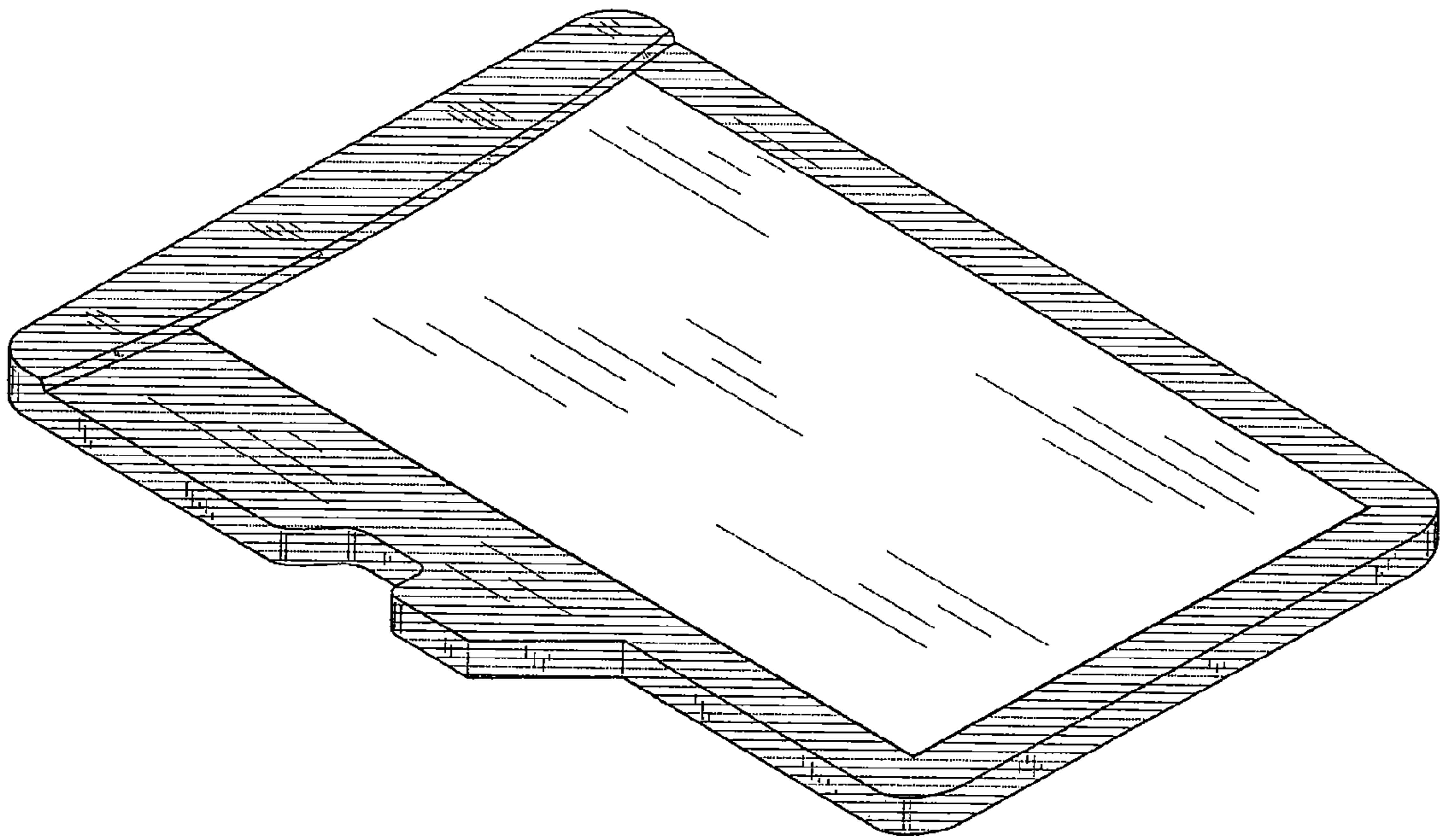


FIG. 22

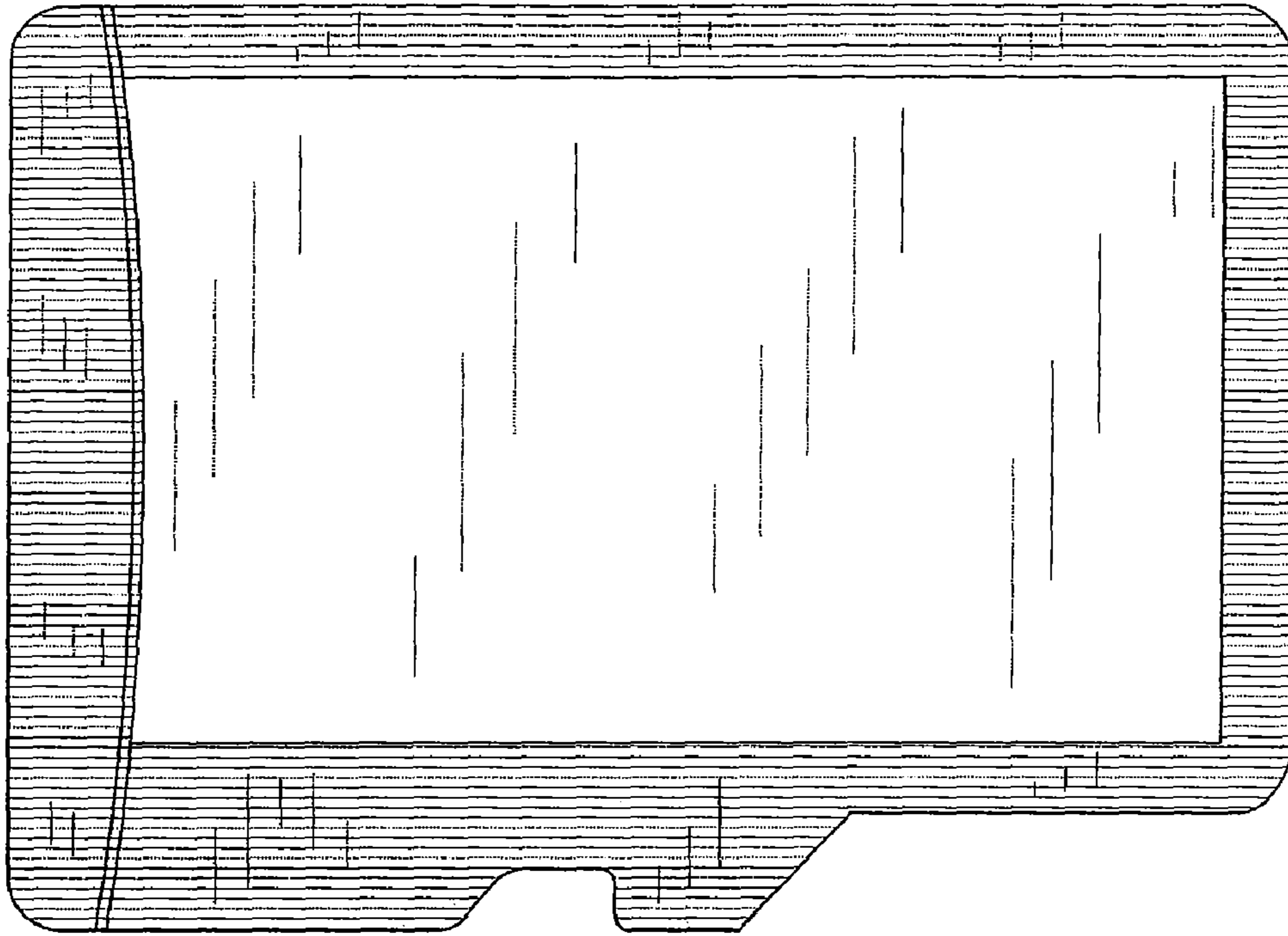


FIG. 23

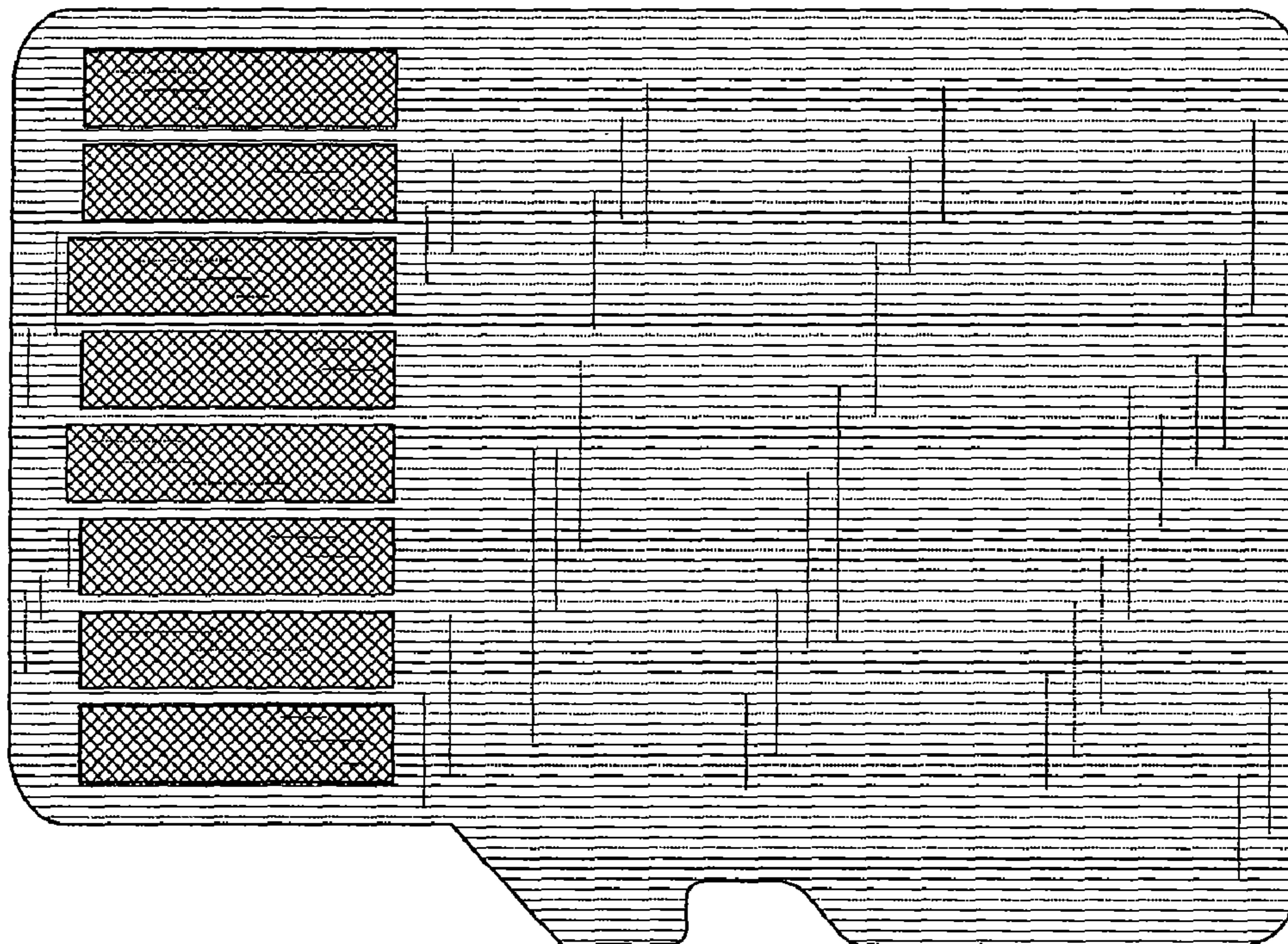


FIG. 24

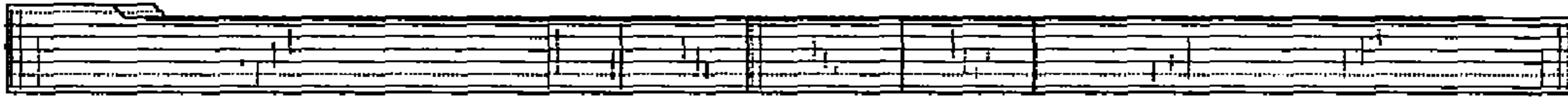


FIG. 25

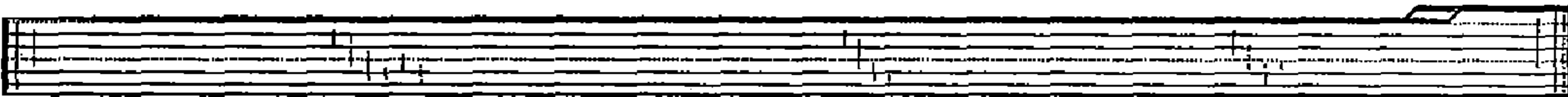


FIG. 26

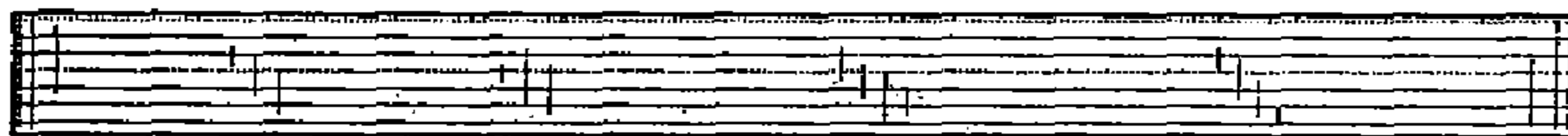


FIG. 27

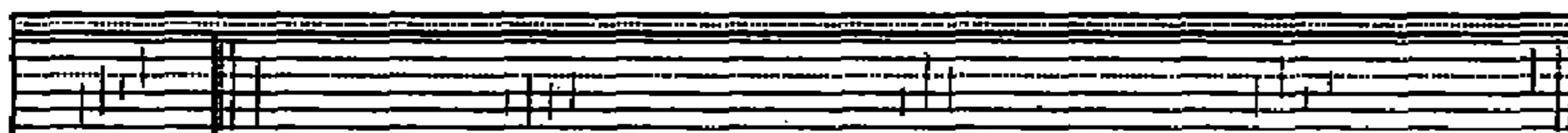


FIG. 28