



US00D628200S

(12) **United States Design Patent**
Ko et al.

(10) **Patent No.:** **US D628,200 S**

(45) **Date of Patent:** **** Nov. 30, 2010**

(54) **SLIM DISPLAY**

(75) Inventors: **Hui-An Ko**, Taipei County (TW);
Jing-Ge Lin, Taipei County (TW)

(73) Assignee: **Amtran Technology Co., Ltd**, Taipei County (TW)

(**) Term: **14 Years**

(21) Appl. No.: **29/354,354**

(22) Filed: **Jan. 22, 2010**

(51) **LOC (9) Cl.** **14-02**

(52) **U.S. Cl.** **D14/374; D14/336**

(58) **Field of Classification Search** D14/371-376,
D14/125-129, 336, 337; 248/917, 924; 341/12;
345/104, 156, 173, 174, 901-905; 348/180,
348/184, 325, 739, 837; 361/679.01, 679.02,
361/679.21-679.25; 349/1, 2, 11, 58
See application file for complete search history.

(56) **References Cited**

U.S. PATENT DOCUMENTS

- D354,949 S * 1/1995 Yao D14/337
- 6,381,125 B1 * 4/2002 Mizoguchi et al. 361/679.08
- D494,941 S * 8/2004 Kim D14/126
- 6,807,051 B2 * 10/2004 Takahashi 361/679.23
- D522,509 S * 6/2006 Park et al. D14/375
- D541,278 S * 4/2007 Hsu et al. D14/375
- D543,982 S * 6/2007 Hasegawa et al. D14/371

- D544,861 S * 6/2007 Hwang D14/375
- D551,186 S * 9/2007 Yang et al. D14/126
- 7,280,665 B2 * 10/2007 Tamura et al. 381/333
- D556,160 S * 11/2007 Lee et al. D14/126
- D595,295 S * 6/2009 Shim D14/374
- 2004/0217244 A1 * 11/2004 Wu et al. 248/278.1

* cited by examiner

Primary Examiner—Freda S Nunn

(74) *Attorney, Agent, or Firm*—Tim Tingkang Xia; Morris, Manning & Martin, LLP

(57) **CLAIM**

The ornamental design for a slim display, as shown and described.

DESCRIPTION

FIG. 1 is a perspective view of slim display showing our new design;

FIG. 2 is a front view thereof;

FIG. 3 is a rear view thereof;

FIG. 4 is a left side elevational view thereof;

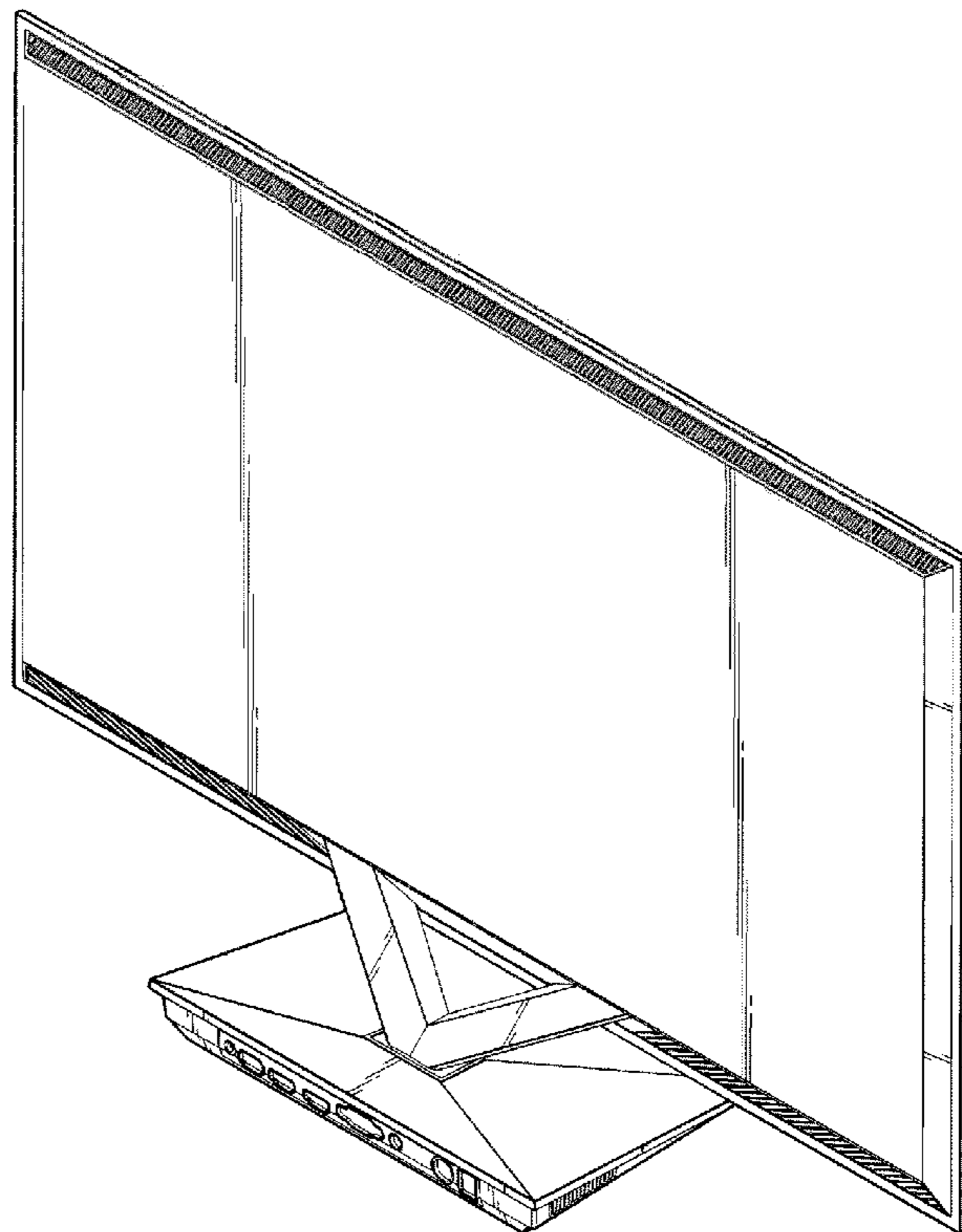
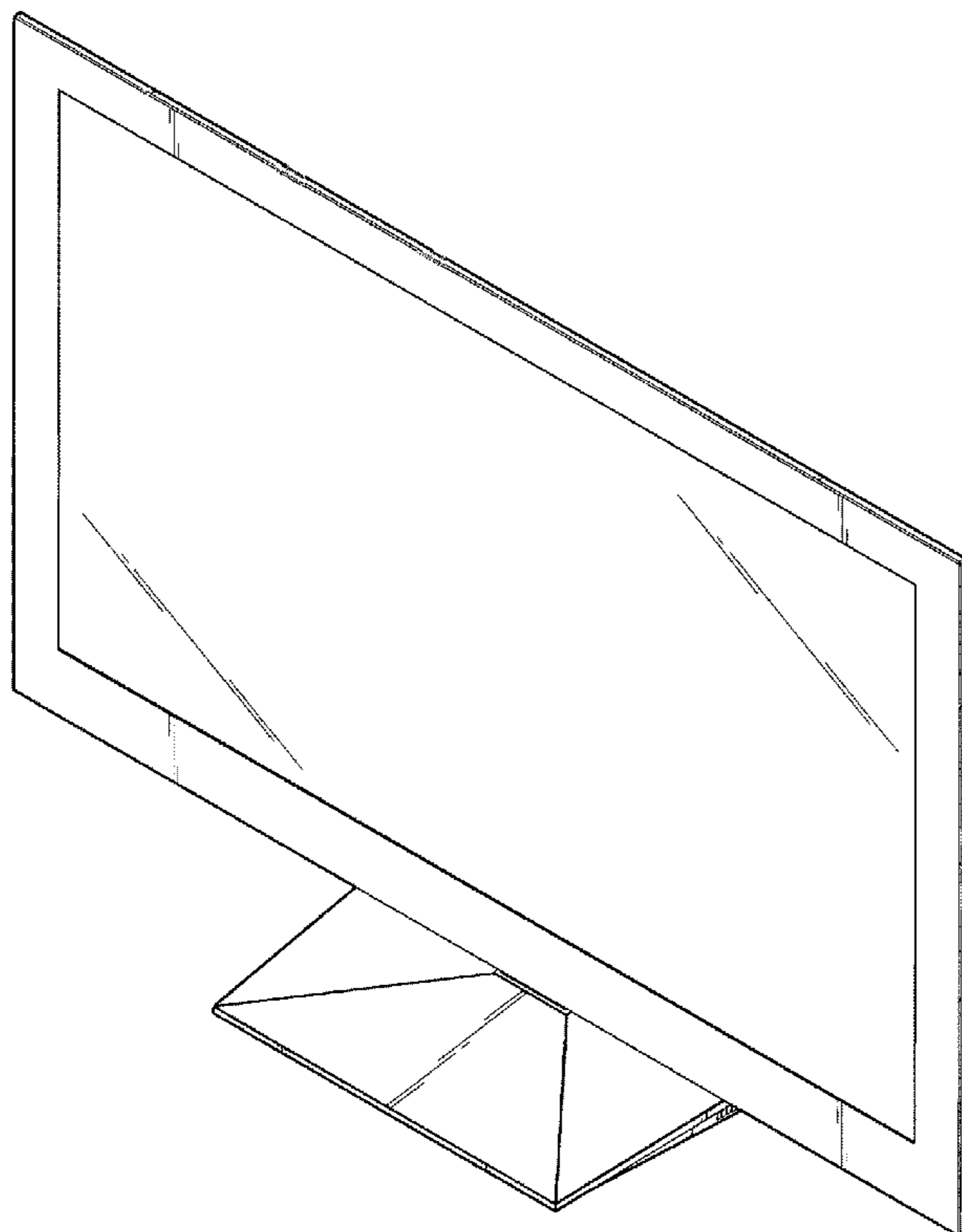
FIG. 5 is a right side elevational view thereof;

FIG. 6 is a top view thereof;

FIG. 7 is a bottom view thereof; and,

FIG. 8 is another perspective view of the slim display showing our new design in an alternative position.

1 Claim, 6 Drawing Sheets



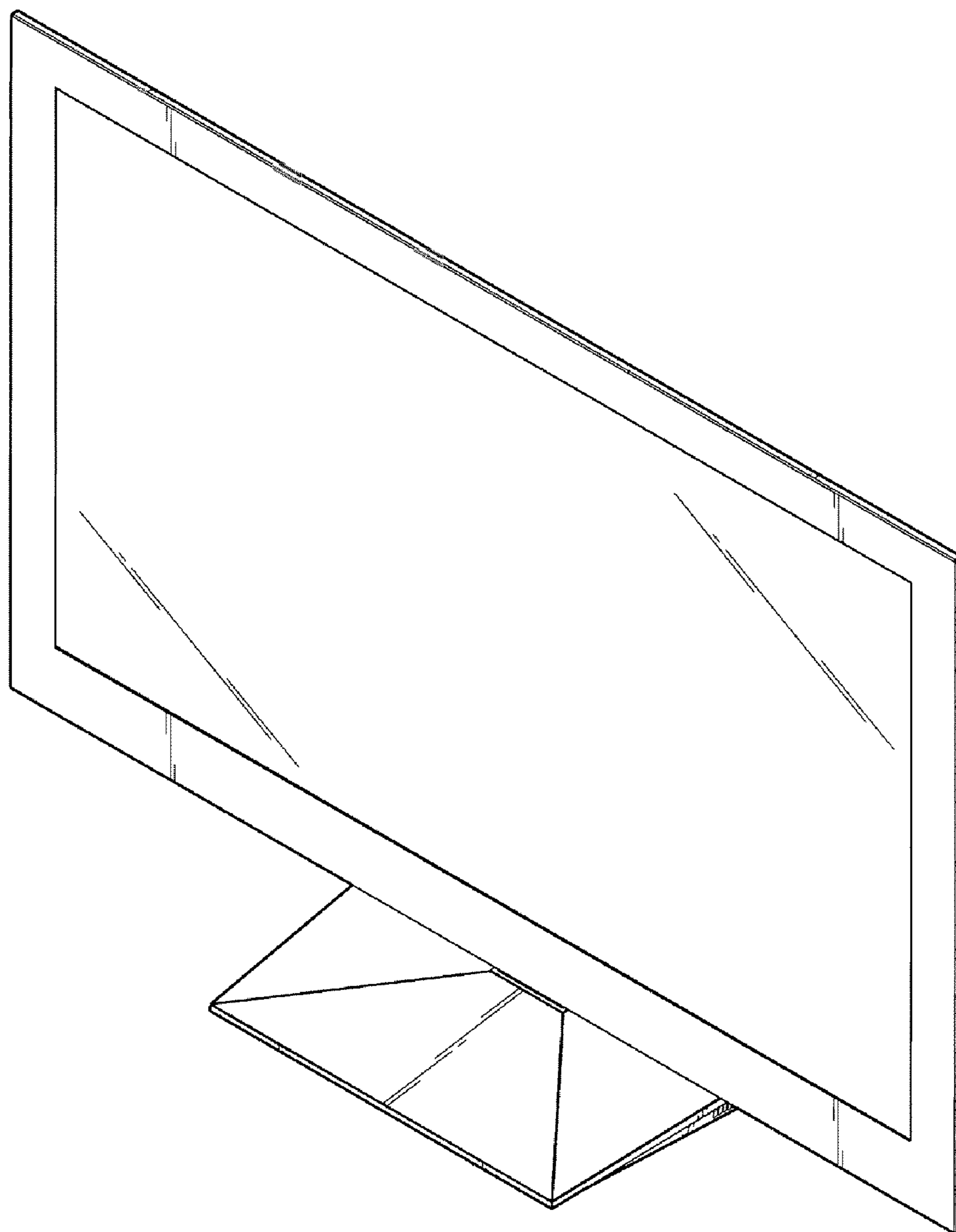


FIG.1

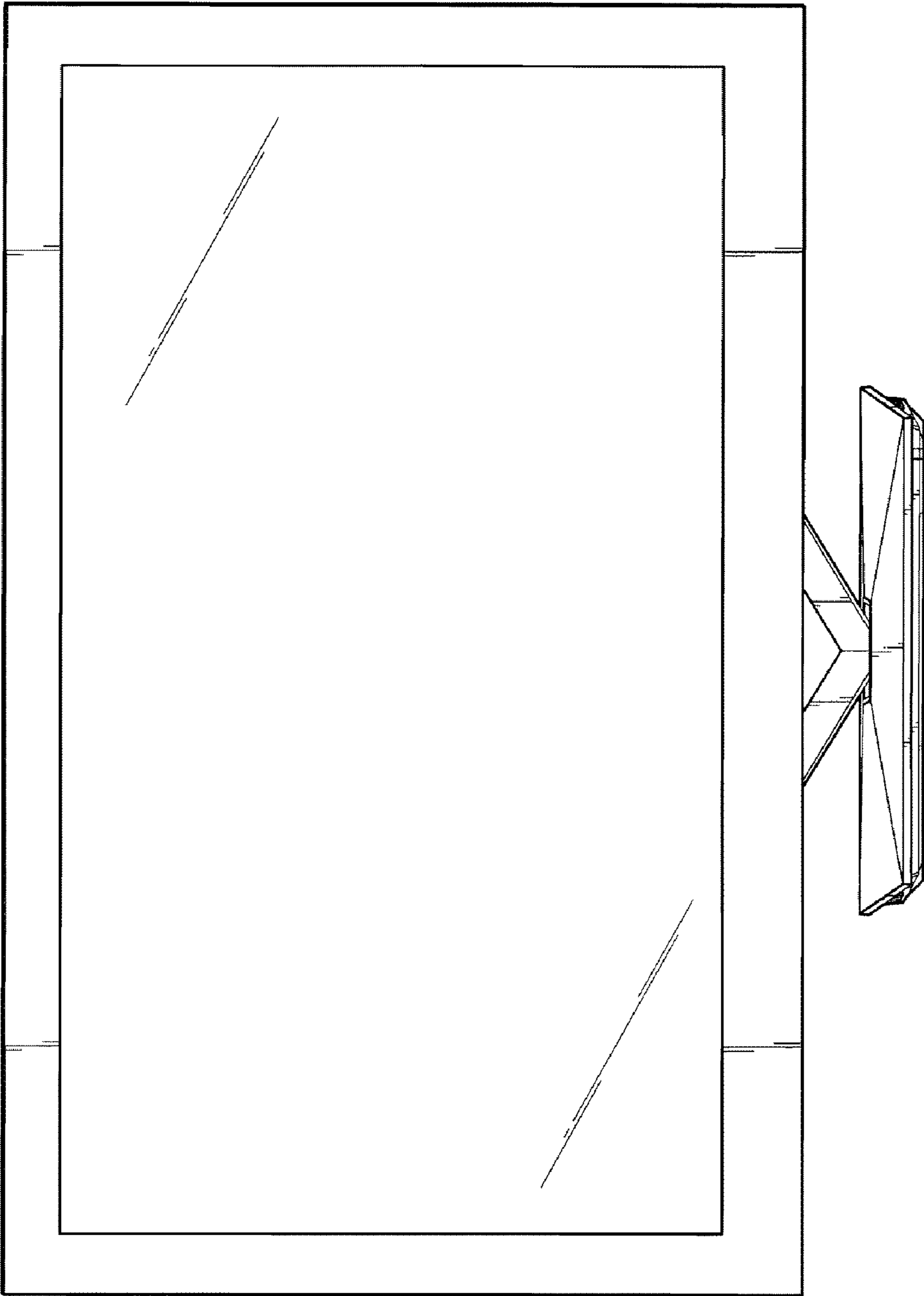


FIG.2

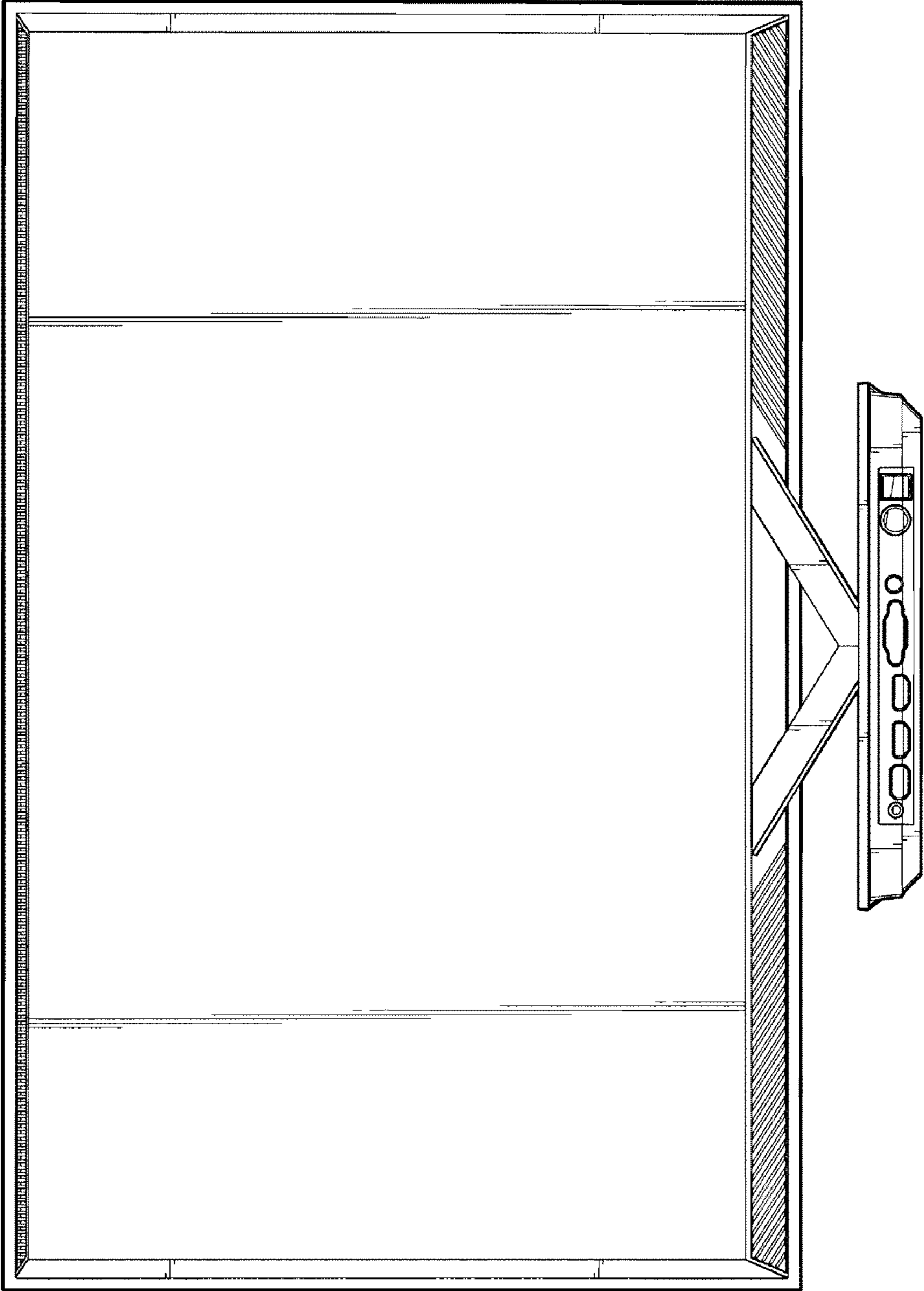


FIG.3

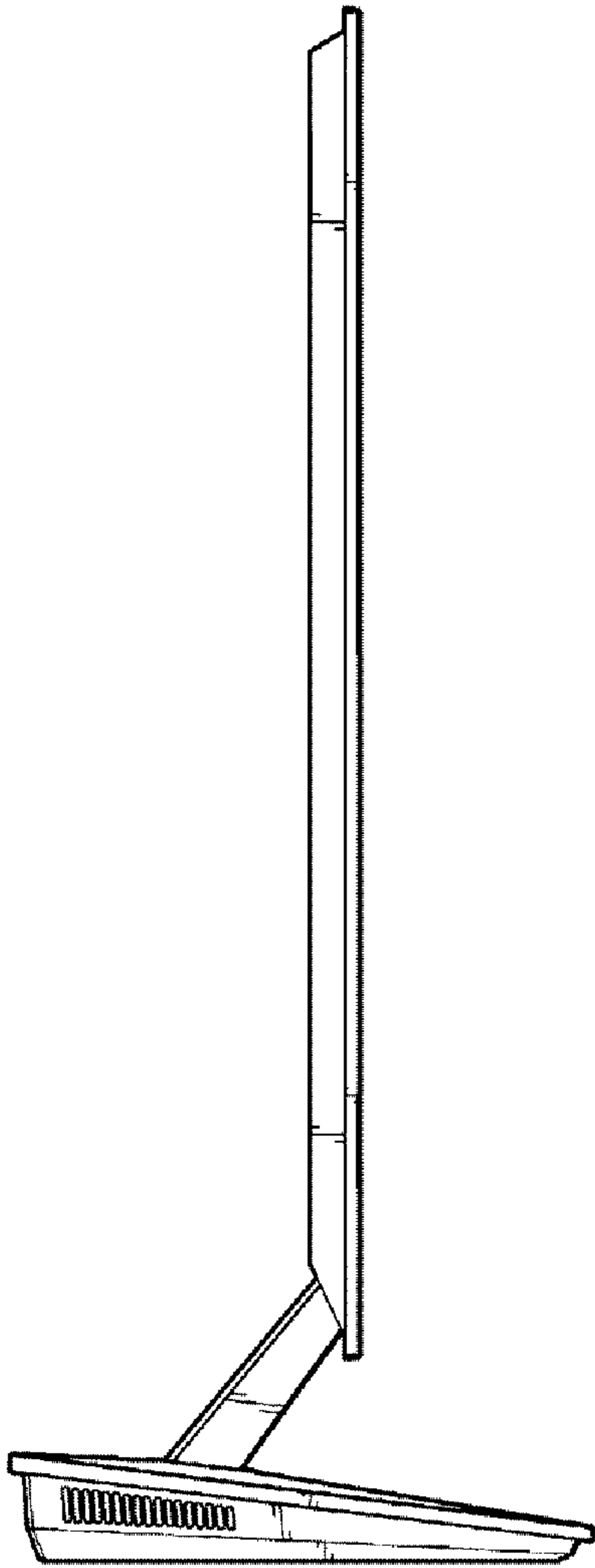


FIG. 4

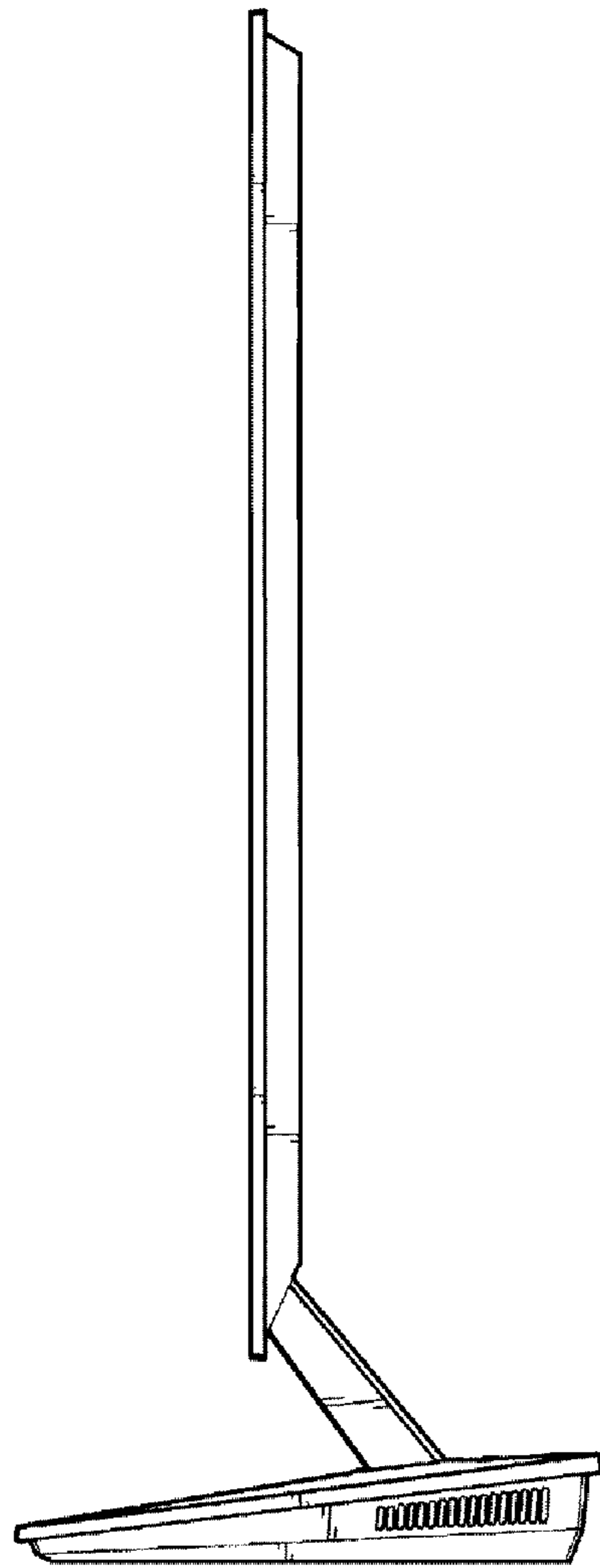


FIG. 5

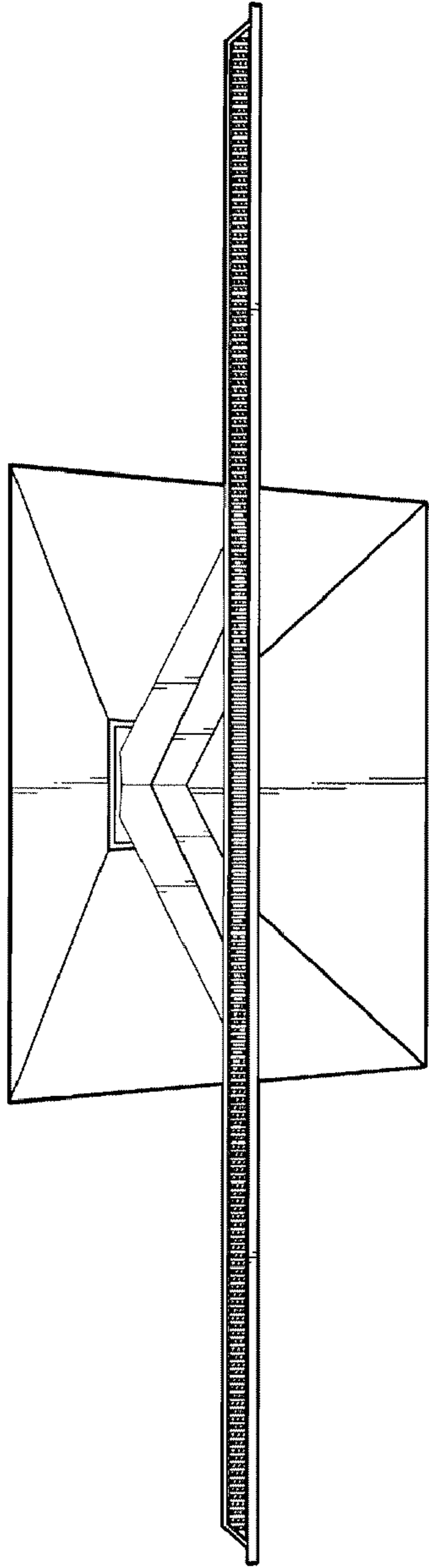


FIG. 6

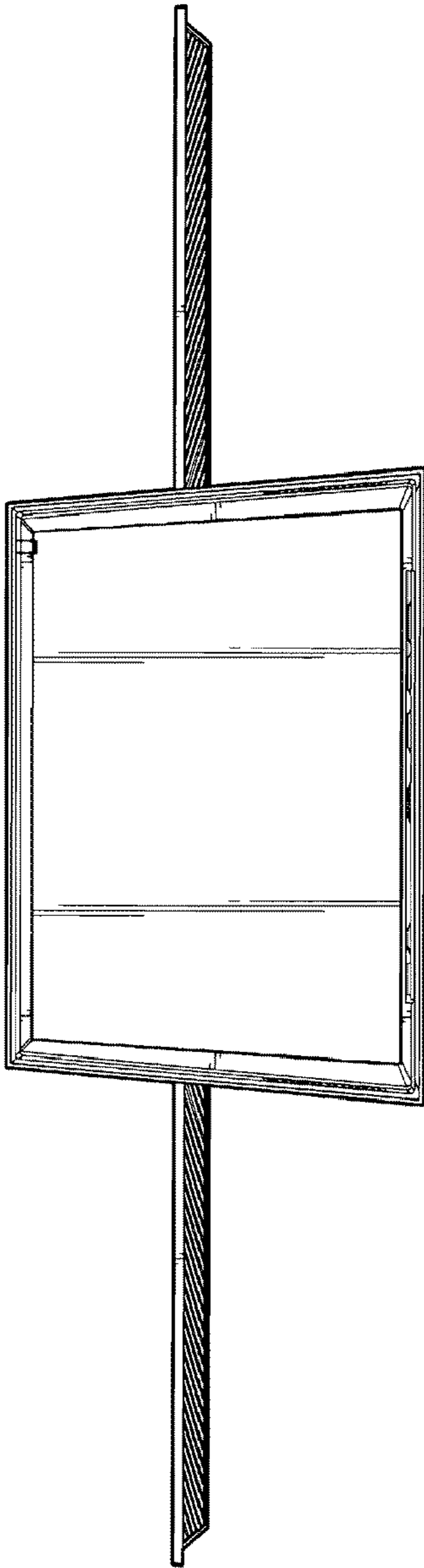


FIG. 7

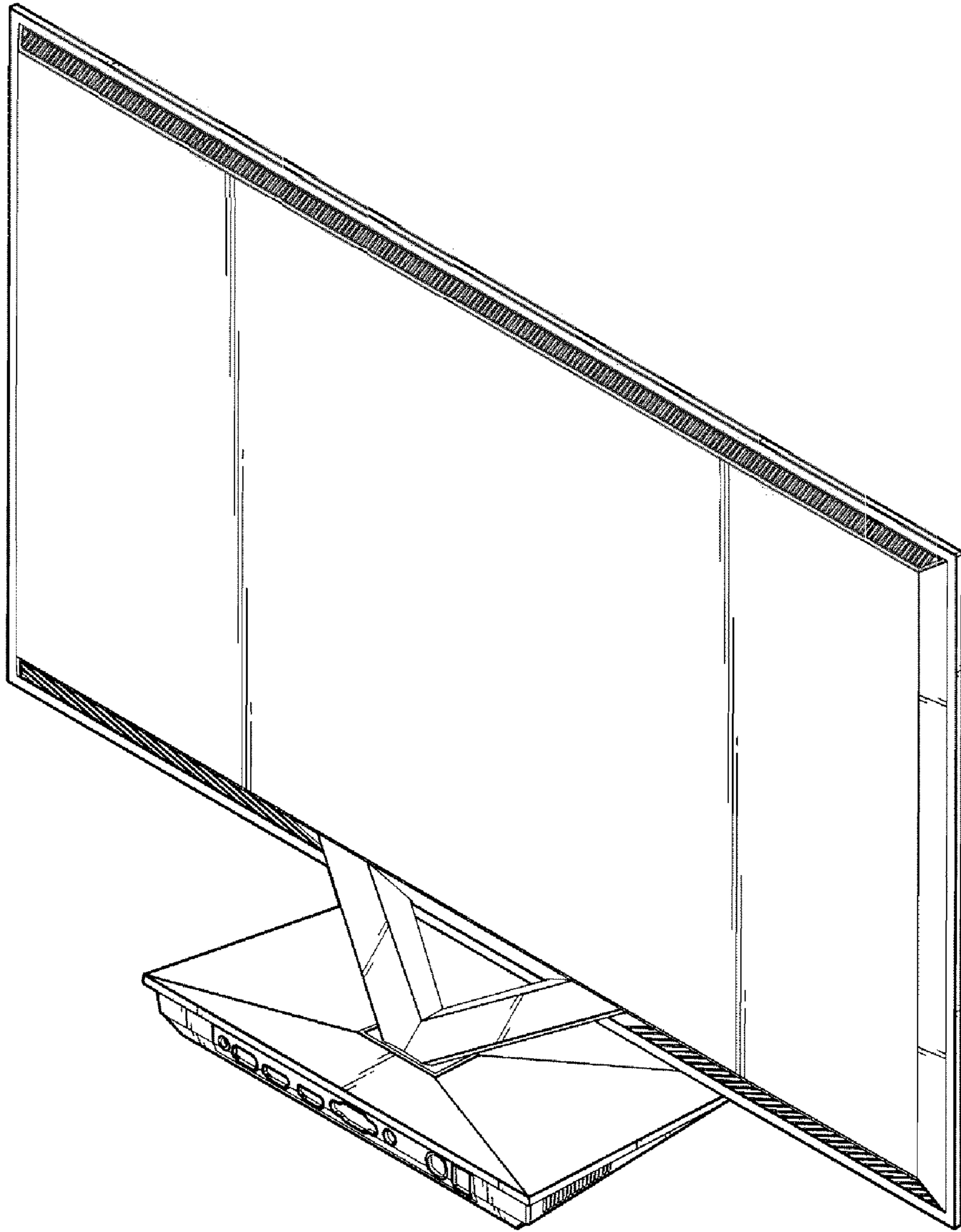


FIG.8