



US00D628197S

(12) **United States Design Patent**
Li

(10) **Patent No.:** **US D628,197 S**

(45) **Date of Patent:** **** Nov. 30, 2010**

(54) **SHELL OF A NOTEBOOK COMPUTER**

(75) Inventor: **Chun-Hsing Li**, Taipei (TW)

(73) Assignee: **Getac Technology Corporation**,
Hsinchu (TW)

(**) Term: **14 Years**

(21) Appl. No.: **29/363,047**

(22) Filed: **Jun. 3, 2010**

(51) **LOC (9) Cl.** **14-02**

(52) **U.S. Cl.** **D14/324; D14/315**

(58) **Field of Classification Search** D14/315-328,
D14/341-345; D18/1, 2, 7, 11; D3/276,
D3/282, 289, 294, 900; 345/102, 104, 156,
345/163, 168; 341/22, 23; 361/679.08, 679.09,
361/679.26, 679.27; 400/486, 489; 206/320
See application file for complete search history.

(56) **References Cited**

U.S. PATENT DOCUMENTS

D333,462 S *	2/1993	Tyson	D14/327
D346,368 S *	4/1994	Miyashita et al.	D14/327
D358,171 S *	5/1995	Cheng	D19/60
D412,317 S *	7/1999	Horiki et al.	D14/318
D456,398 S *	4/2002	Horiki	D14/328
D466,499 S *	12/2002	Nakano	D14/327

D495,326 S *	8/2004	Horiki	D14/318
D558,754 S *	1/2008	Takemasa et al.	D14/328
D566,111 S *	4/2008	Nakagawa	D14/315
D572,709 S *	7/2008	Nakagawa et al.	D14/315

* cited by examiner

Primary Examiner—Freda S Nunn

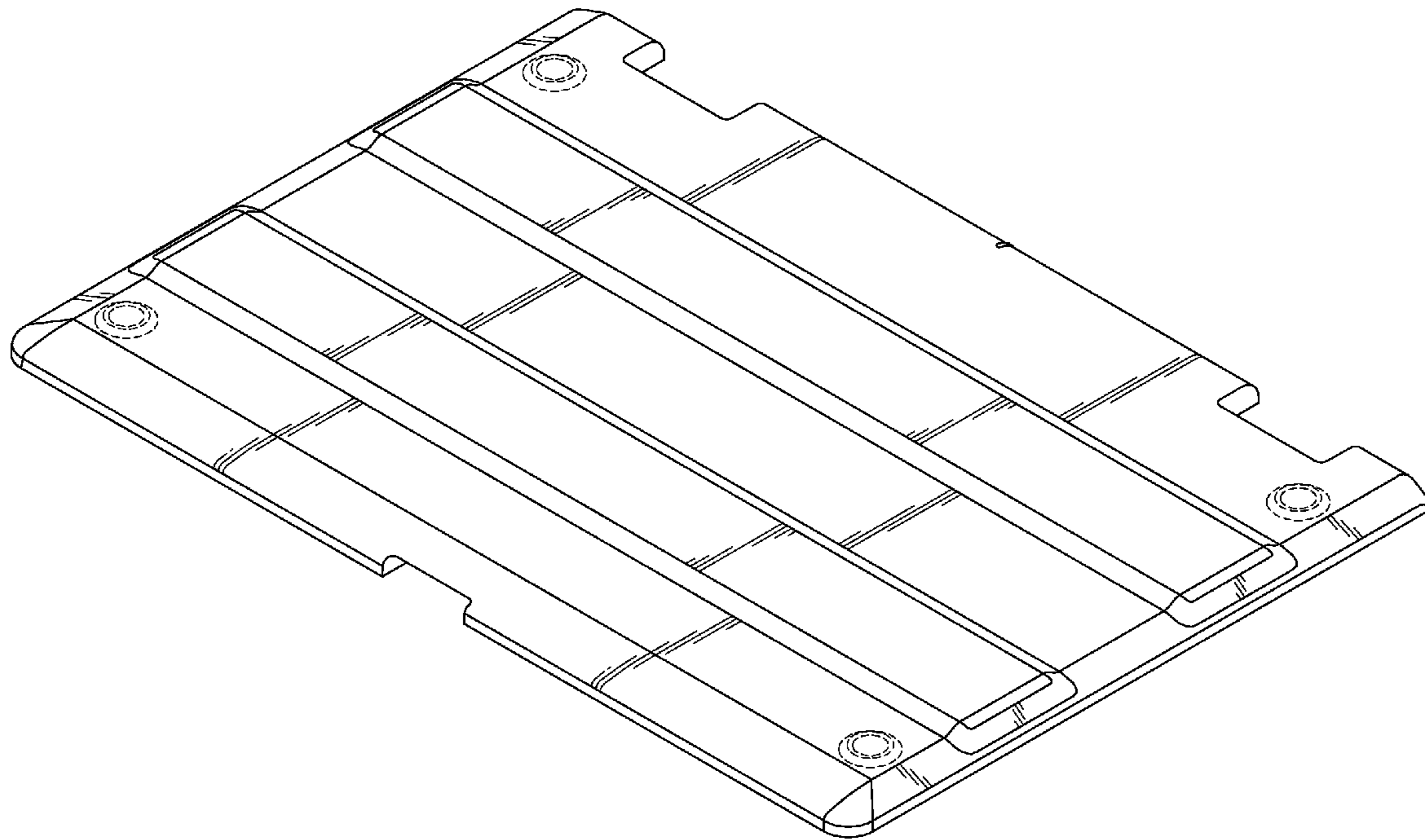
(57) **CLAIM**

The ornamental design for a shell of a notebook computer, as shown and described.

DESCRIPTION

FIG. 1 is a perspective view showing my new design;
 FIG. 2 is a front elevational view thereof;
 FIG. 3 is a rear elevational view thereof;
 FIG. 4 is a right side elevational view thereof;
 FIG. 5 is a left side elevational view thereof;
 FIG. 6 is a top plan view thereof;
 FIG. 7 is a bottom plan view thereof; and,
 FIG. 8 is perspective view thereof illustrating environment structure in broken lines.
 The broken lines which illustrate the environmental structure of the claimed design form no part thereof.

1 Claim, 5 Drawing Sheets



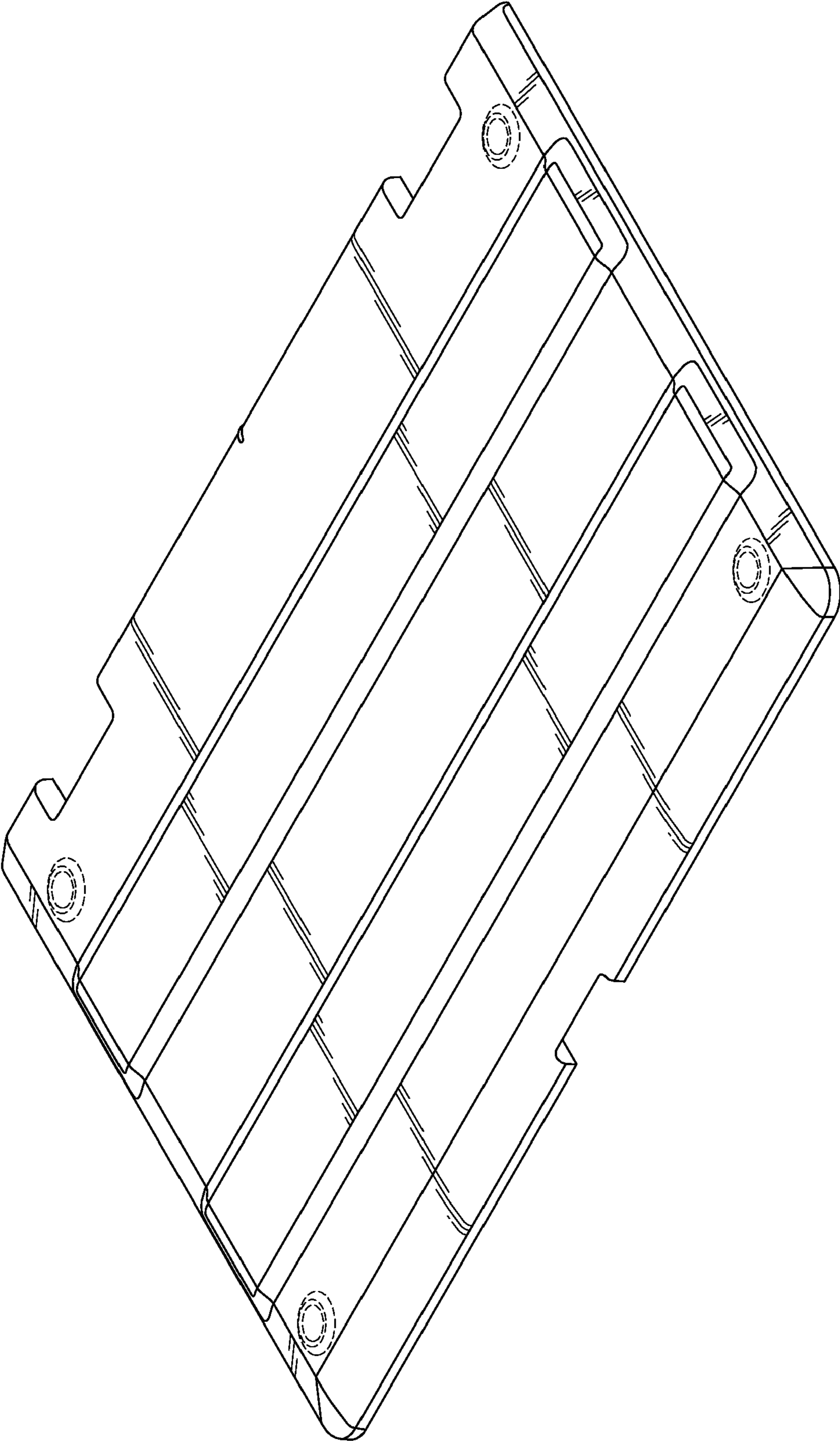


FIG.1



FIG. 2

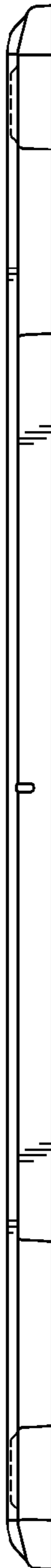


FIG. 3



FIG. 4

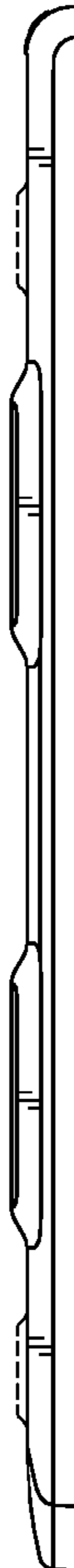


FIG. 5

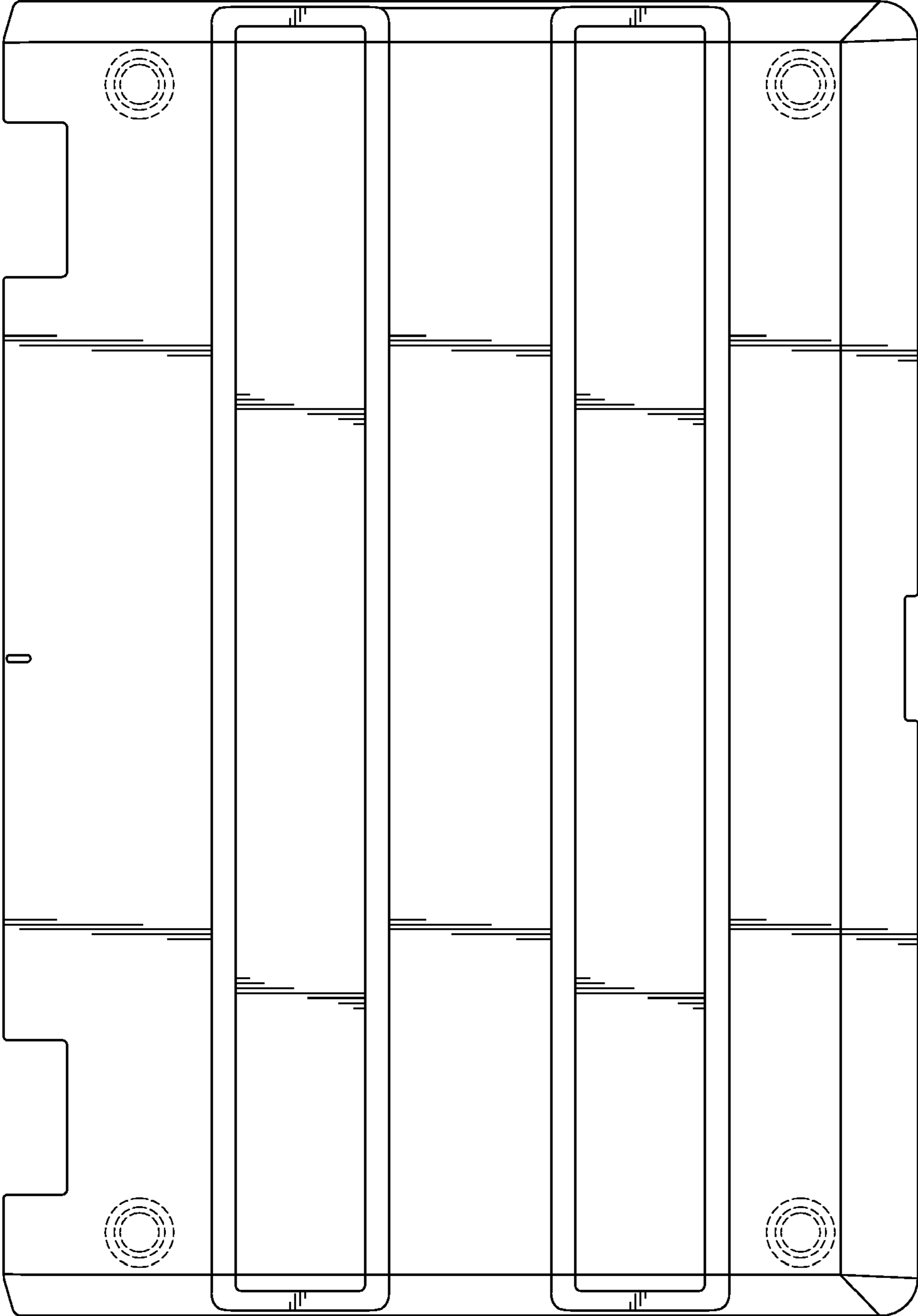


FIG.6

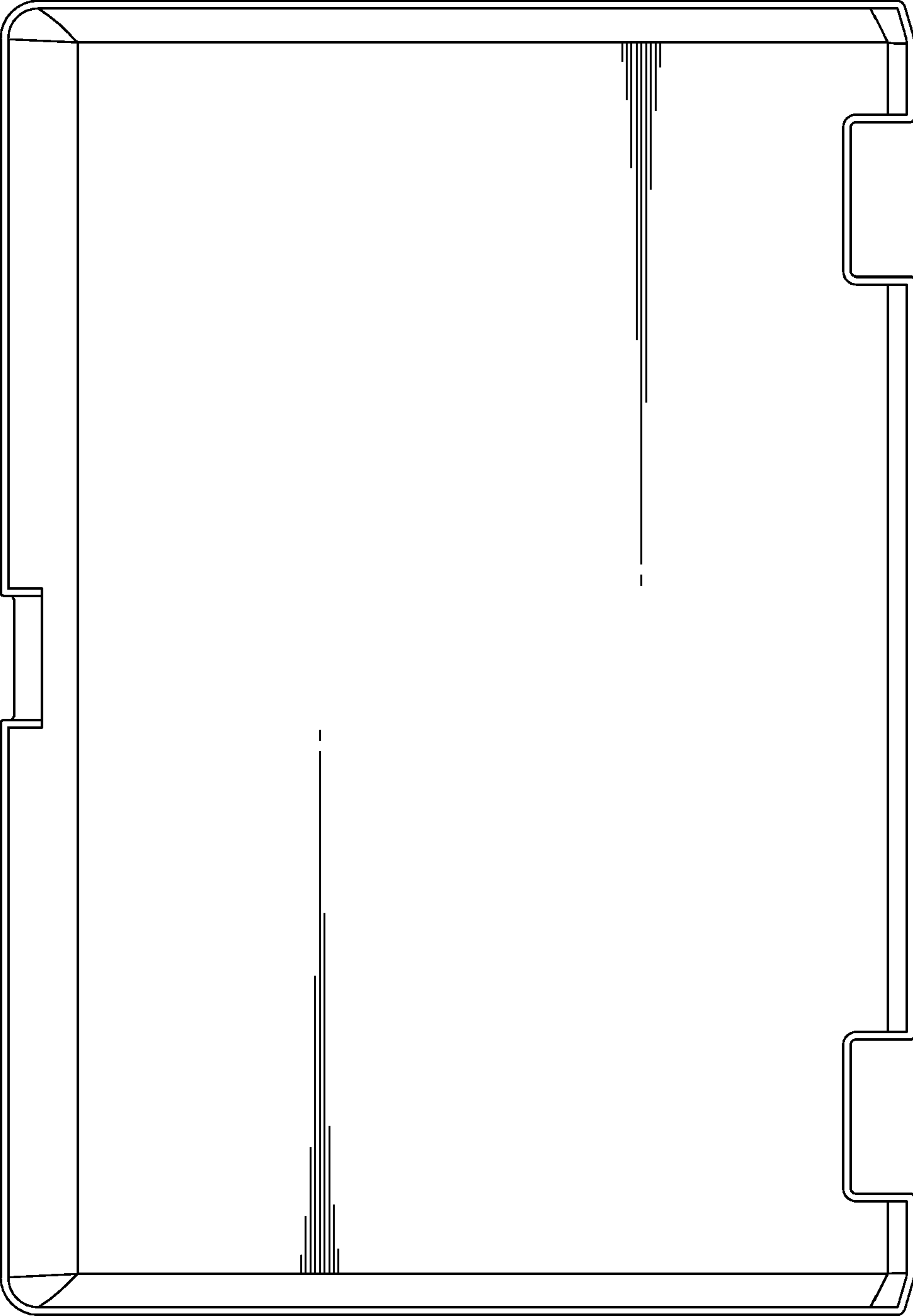


FIG.7

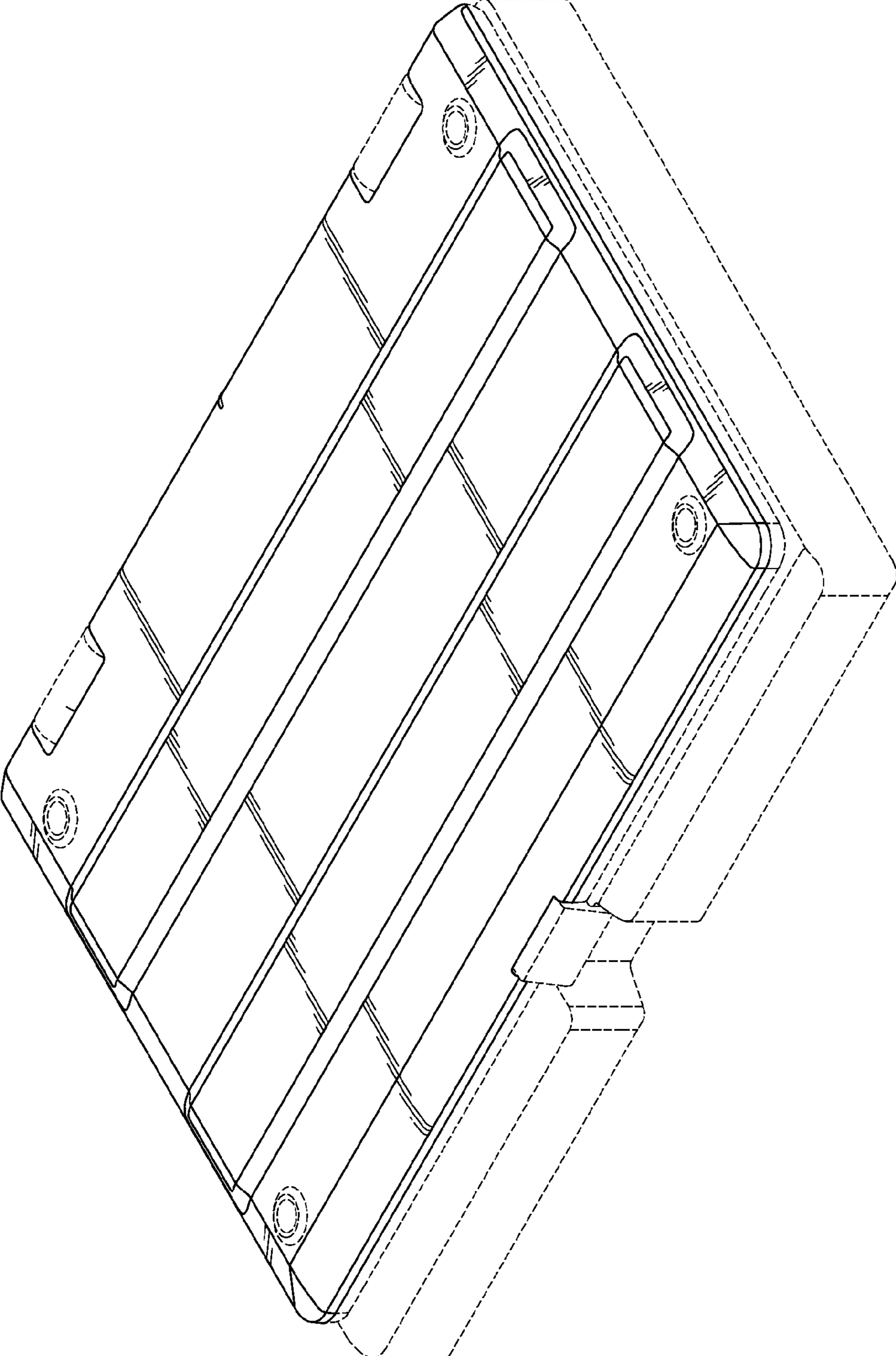


FIG.8