



US00D628196S

(12) **United States Design Patent**
Li

(10) **Patent No.:** **US D628,196 S**

(45) **Date of Patent:** **** Nov. 30, 2010**

(54) **NOTEBOOK COMPUTER**

(75) Inventor: **Chun-Hsing Li**, Taipei (TW)

(73) Assignee: **Getac Technology Corporation**,
Hsinchu (TW)

(**) Term: **14 Years**

(21) Appl. No.: **29/363,043**

(22) Filed: **Jun. 3, 2010**

(51) **LOC (9) Cl.** **14-02**

(52) **U.S. Cl.** **D14/324; D14/315**

(58) **Field of Classification Search** D14/315-328,
D14/341-345; D18/1, 2, 7, 11; D3/276,
D3/282, 289, 294, 900; 345/102, 104, 156,
345/163, 168; 341/22, 23; 361/679.08, 679.09,
361/679.26, 679.27; 400/486, 489; 206/320
See application file for complete search history.

(56) **References Cited**

U.S. PATENT DOCUMENTS

D333,462 S * 2/1993 Tyson D14/327
D346,368 S * 4/1994 Miyashita et al. D14/327
D358,171 S * 5/1995 Cheng D19/60
D412,317 S * 7/1999 Horiki et al. D14/318
6,323,902 B1 * 11/2001 Ishikawa 348/373

D456,398 S * 4/2002 Horiki D14/328
D466,499 S * 12/2002 Nakano D14/327
D495,326 S * 8/2004 Horiki D14/318
D558,754 S * 1/2008 Takemasa et al. D14/328
D589,042 S * 3/2009 Lee D14/318

* cited by examiner

Primary Examiner—Freda S Nunn

(57) **CLAIM**

The ornamental design for a notebook computer, as shown and described.

DESCRIPTION

FIG. 1 is a front perspective view showing my new design;

FIG. 2 is a front elevational view thereof;

FIG. 3 is a rear elevational view thereof;

FIG. 4 is a right side elevational view thereof;

FIG. 5 is a left side elevational view thereof;

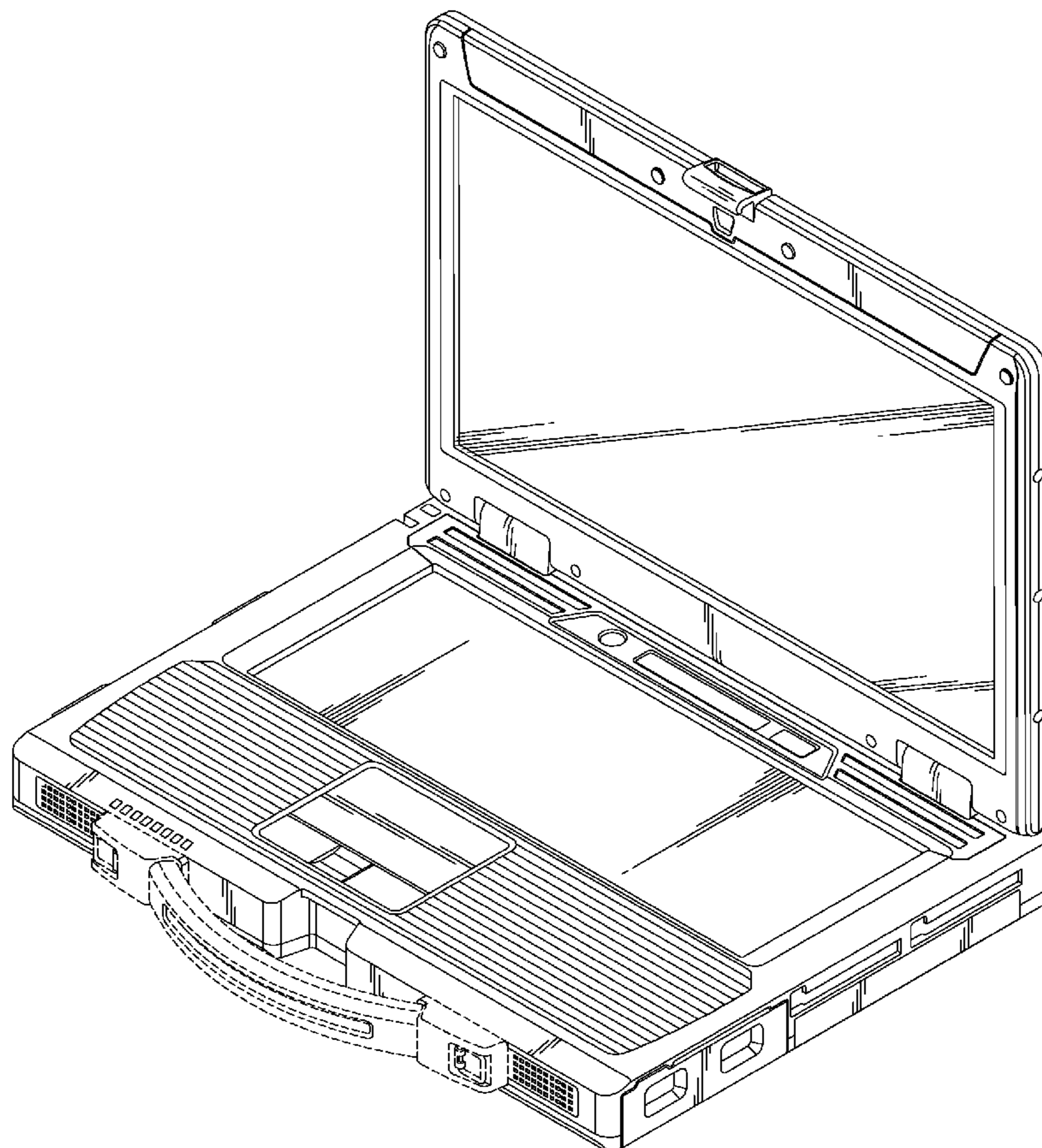
FIG. 6 is a top plan view thereof;

FIG. 7 is a bottom plan view thereof; and,

FIG. 8 is rear perspective view thereof.

The broken lines which illustrate the environmental structure of the claimed design form no part thereof.

1 Claim, 8 Drawing Sheets



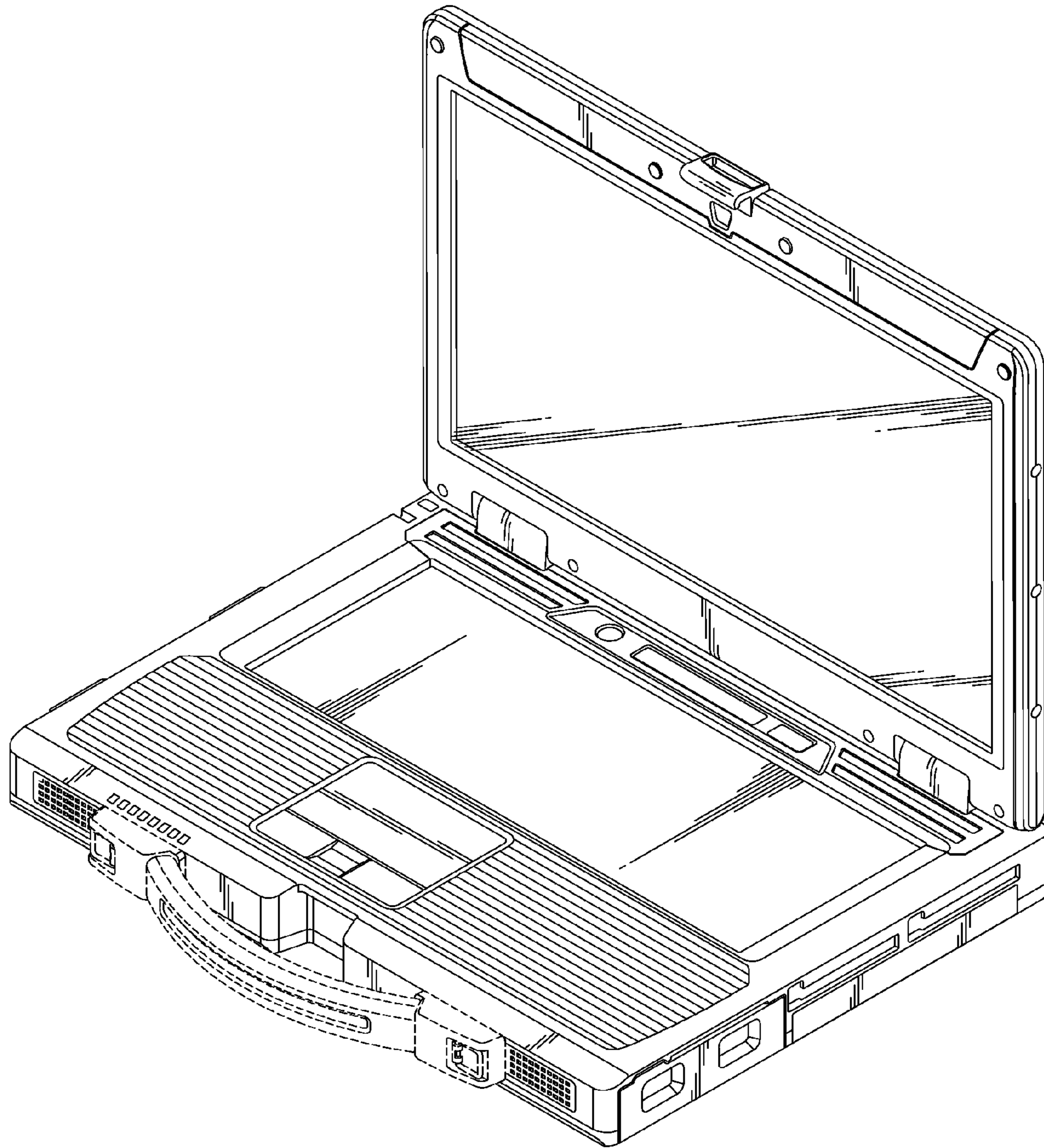


FIG.1

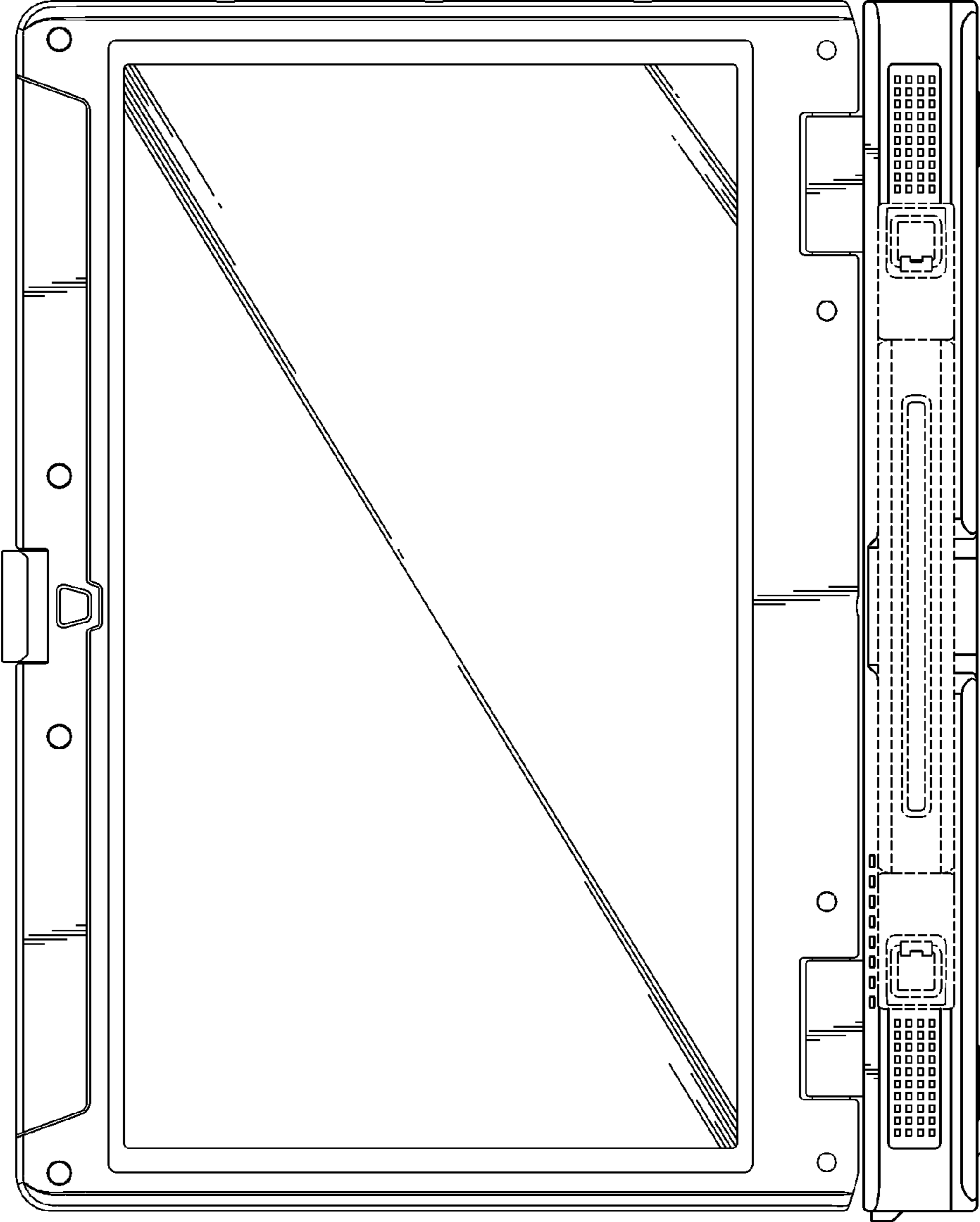


FIG.2

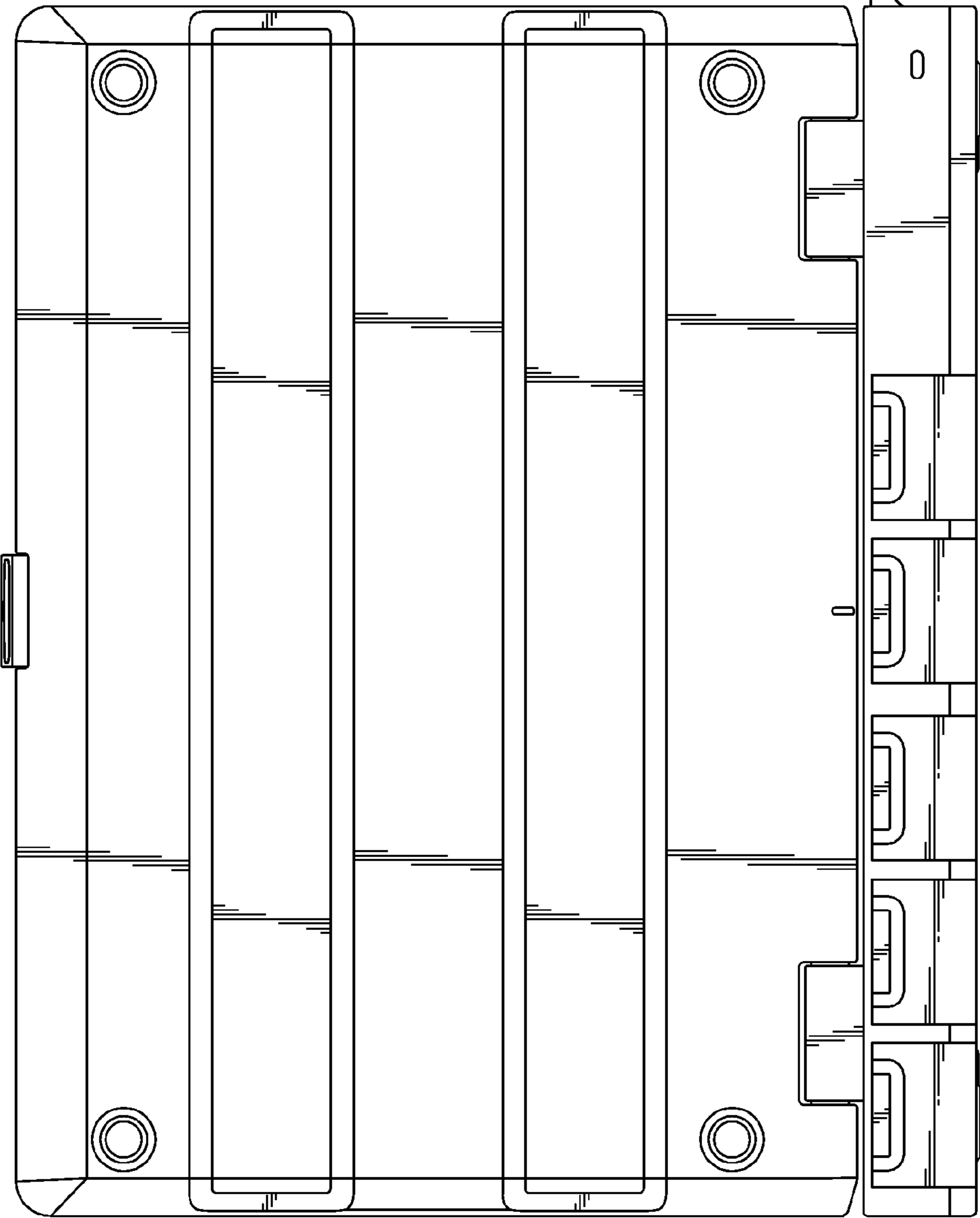


FIG.3

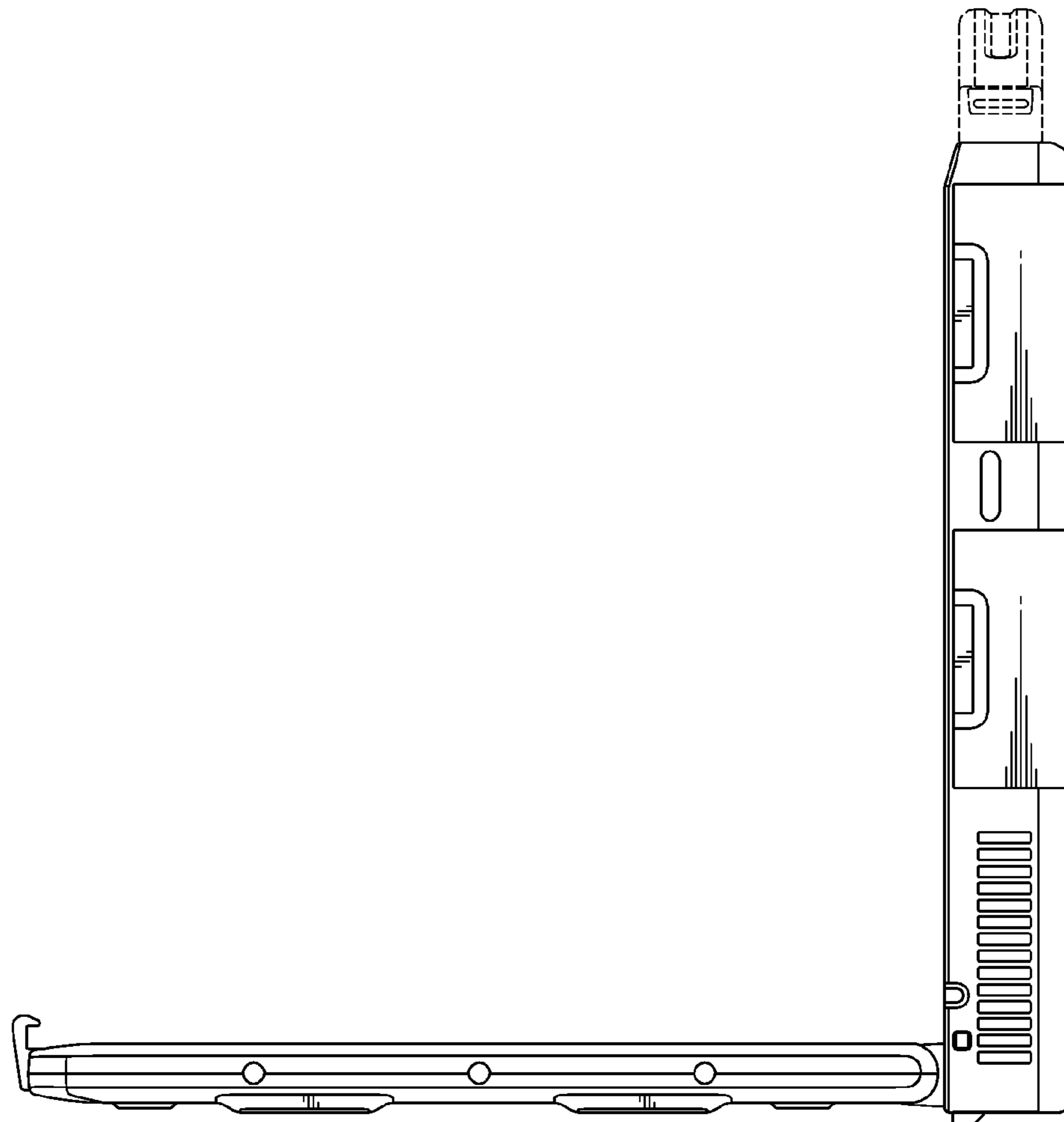


FIG.4

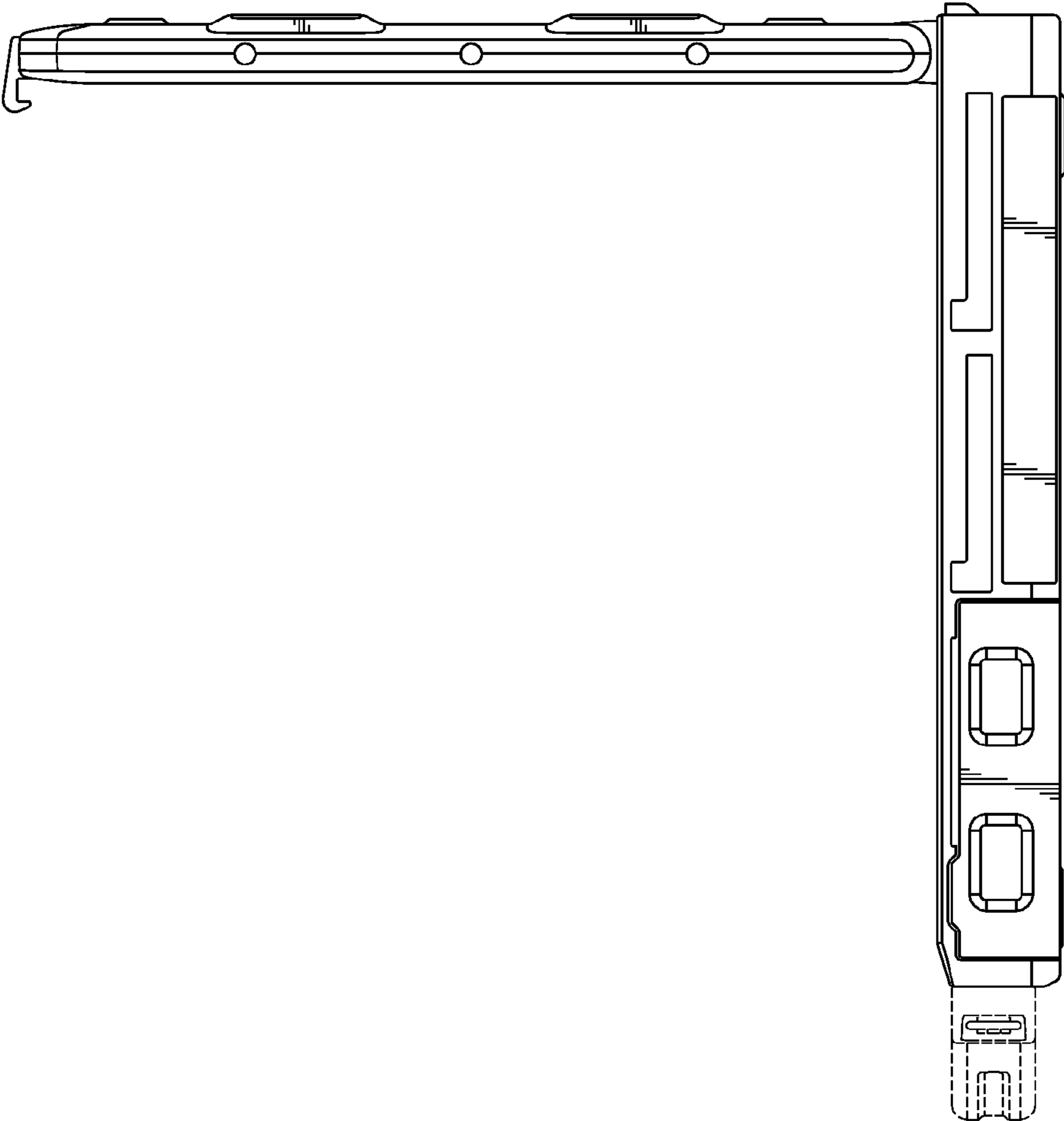


FIG. 5

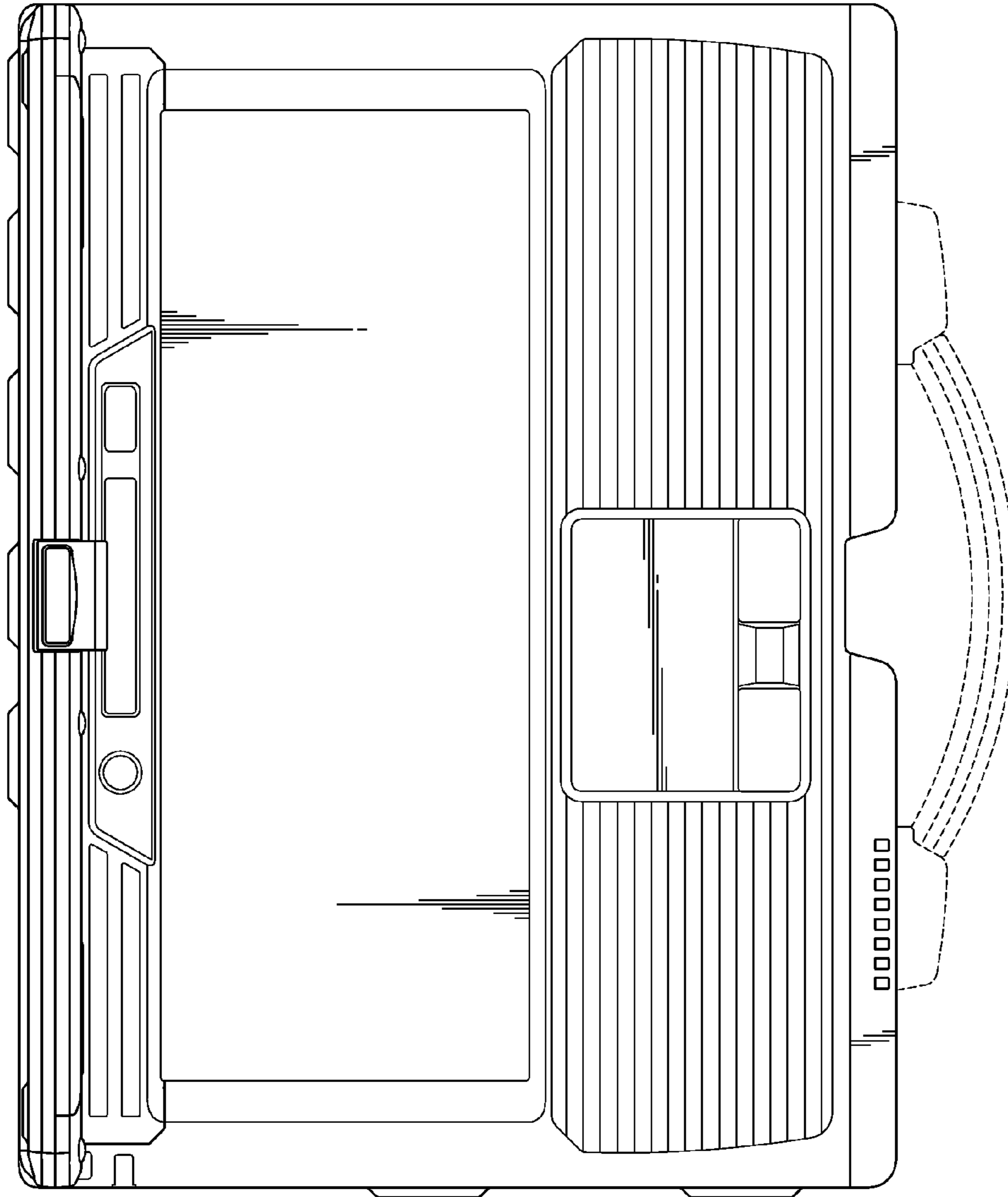


FIG.6

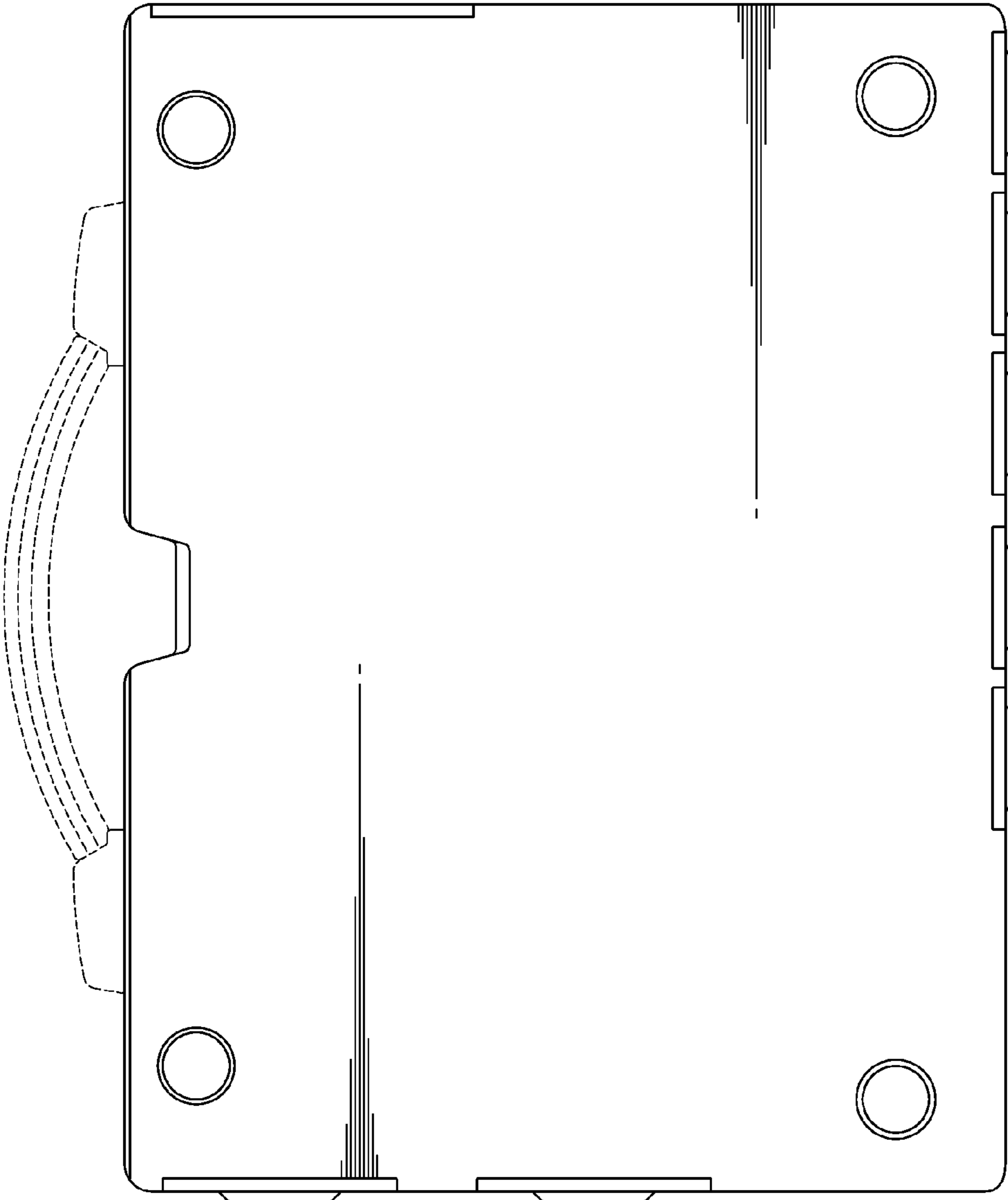


FIG.7

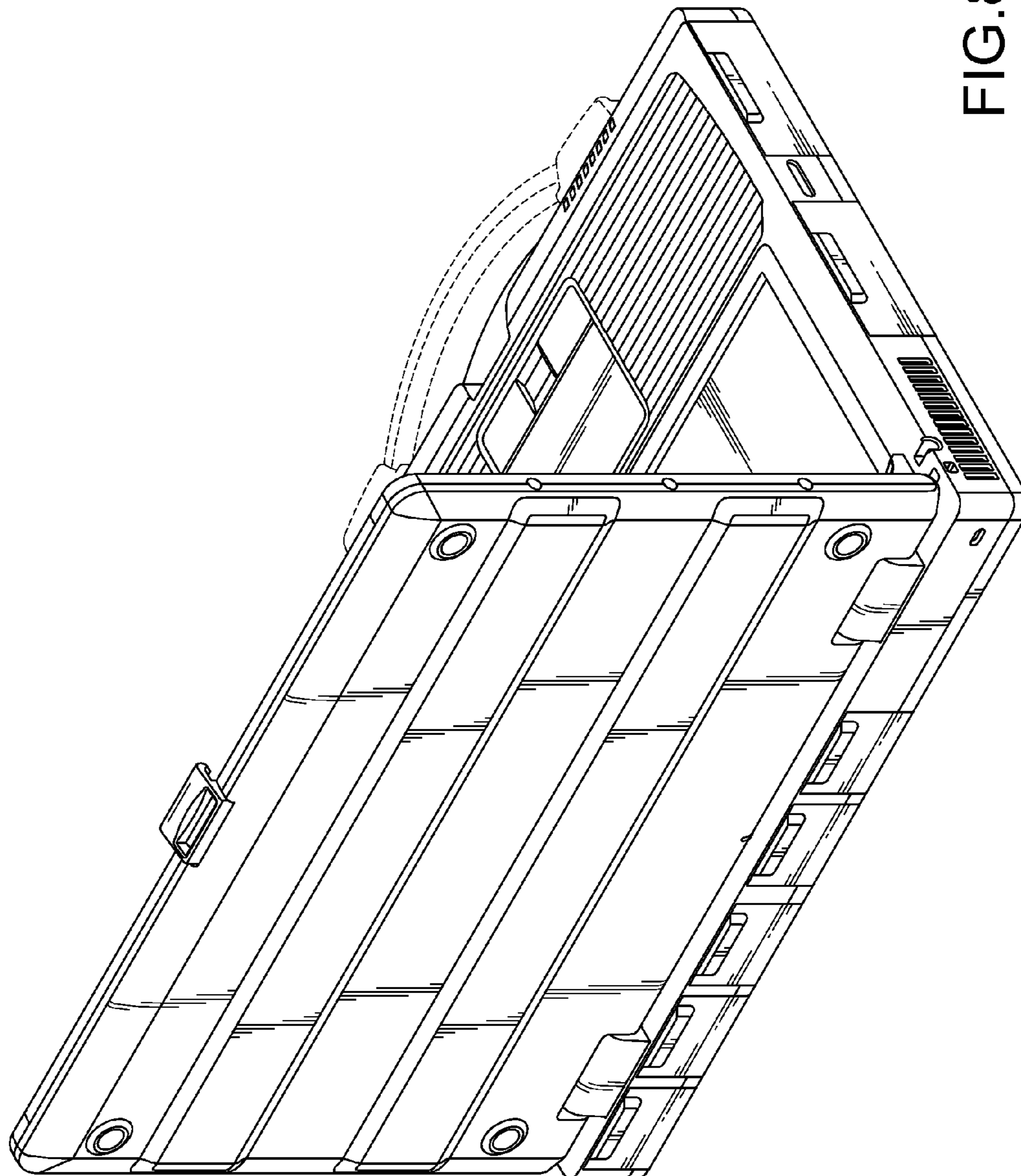


FIG. 8