

US00D628195S

(12) **United States Design Patent**
Yoon

(10) **Patent No.:** **US D628,195 S**

(45) **Date of Patent:** **** Nov. 30, 2010**

(54) **NET BOOK**

(75) Inventor: **Sang-Won Yoon**, Seoul (KR)

(73) Assignee: **Samsung Electronics Co., Ltd.**, Suwon, Kyunggi-do (KR)

(**) Term: **14 Years**

(21) Appl. No.: **29/349,023**

(22) Filed: **Mar. 2, 2010**

(51) **LOC (9) Cl.** **14-02**

(52) **U.S. Cl.** **D14/315**

(58) **Field of Classification Search** D14/315-323, D14/341-346; D19/26, 59, 60; 361/679.06-679.09, 361/679.1, 679.12; 349/12; 345/156, 168, 345/169, 172, 173; 178/18.03; 434/307 R, 434/317, 308, 309

See application file for complete search history.

(56) **References Cited**

U.S. PATENT DOCUMENTS

| | | | |
|--------------|---------|--------------|---------------|
| D332,944 S | 2/1993 | Kim | |
| D334,738 S | 4/1993 | Kim | |
| D335,870 S | 5/1993 | Yun | |
| D336,465 S | 6/1993 | Kim | |
| D338,457 S | 8/1993 | Kim | |
| D348,442 S | 7/1994 | Yoon | |
| D463,797 S * | 10/2002 | Andre et al. | D14/327 |
| D491,177 S * | 6/2004 | Andre et al. | D14/318 |
| D492,678 S | 7/2004 | Kim et al. | |
| D493,785 S * | 8/2004 | Andre et al. | D14/318 |
| D523,010 S | 6/2006 | Paek et al. | |
| D523,431 S | 6/2006 | Yoon | |
| D523,851 S | 6/2006 | Jeong et al. | |
| D523,852 S | 6/2006 | Kim et al. | |
| D524,306 S | 7/2006 | Yun et al. | |
| D524,307 S | 7/2006 | Kim et al. | |
| D535,652 S | 1/2007 | Lee et al. | |
| D547,309 S | 7/2007 | Yoon | |
| D547,310 S | 7/2007 | Yoon | |
| D556,192 S | 11/2007 | Jeong et al. | |
| D558,752 S * | 1/2008 | Andre et al. | D14/315 |

| | | | |
|--------------|---------|---------------|---------------|
| D567,236 S | 4/2008 | Yoon | |
| D572,217 S * | 7/2008 | Shih | D14/315 |
| D574,378 S * | 8/2008 | Andre et al. | D14/315 |
| D578,523 S | 10/2008 | Yoon | |
| D578,524 S | 10/2008 | Yoon | |
| D578,525 S | 10/2008 | Yoon | |
| D580,432 S | 11/2008 | Yun et al. | |
| D586,343 S | 2/2009 | Lee et al. | |
| D586,796 S | 2/2009 | Lee et al. | |
| D586,797 S | 2/2009 | Kawase et al. | |
| D587,701 S | 3/2009 | Yoon | |
| D596,633 S | 7/2009 | Kawase et al. | |
| D600,688 S * | 9/2009 | Andre et al. | D14/327 |

(Continued)

OTHER PUBLICATIONS

U.S. Appl. No. 29/313,601, Applicant: Seung-Hyun Paek, filed Jan. 26, 2009 entitled Notebook Computer.

(Continued)

Primary Examiner—Cathron C Brooks

Assistant Examiner—Barbara Fox

(74) *Attorney, Agent, or Firm*—Flynn, Thiel, Boutell & Tanis, P.C.

(57) **CLAIM**

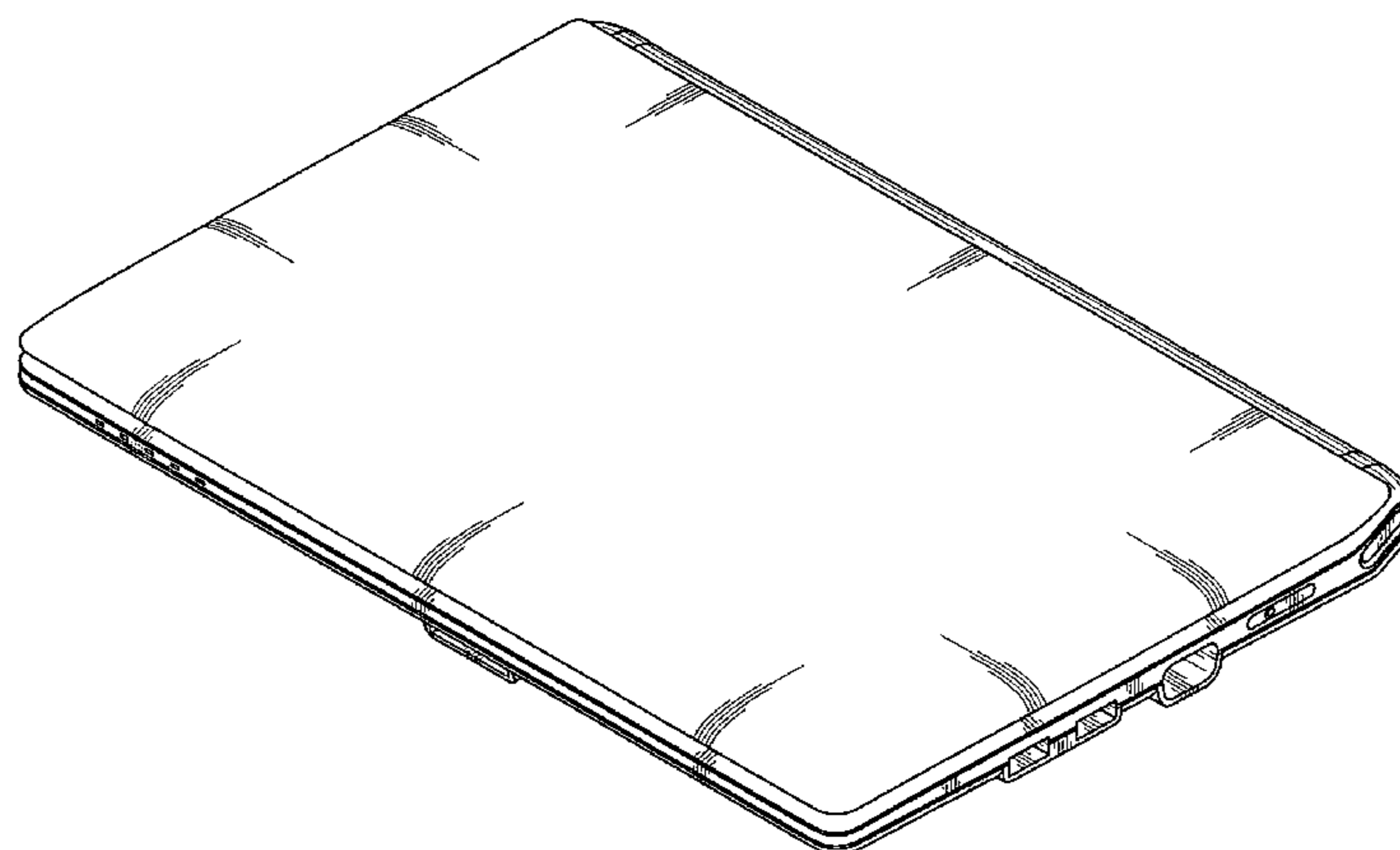
The ornamental design for a net book, as shown and described.

DESCRIPTION

FIG. 1 is a top front perspective view of a net book showing my new design;
FIG. 2 is a front elevational view thereof;
FIG. 3 is a rear elevational view thereof;
FIG. 4 is a left side elevational view thereof;
FIG. 5 is a right side elevational view thereof;
FIG. 6 is a top plan view thereof; and,
FIG. 7 is a bottom plan view thereof.

The broken lines shown in the drawings illustrate unclaimed portions of the net book and form no part thereof.

1 Claim, 4 Drawing Sheets



US D628,195 S

Page 2

U.S. PATENT DOCUMENTS

D602,485 S * 10/2009 Ting et al. D14/318
D603,391 S 11/2009 Song et al.
D603,392 S 11/2009 Jeong et al.
D603,393 S * 11/2009 Paek D14/315
D603,394 S 11/2009 Lee
D603,395 S 11/2009 Hong et al.
D603,861 S 11/2009 Hong et al.
D606,067 S * 12/2009 Yoon D14/315
D606,068 S 12/2009 Hong et al.
D606,069 S 12/2009 Heck et al.
D606,070 S 12/2009 Heck et al.
D606,534 S 12/2009 Hong et al.
D606,989 S * 12/2009 Andre et al. D14/315
D606,991 S * 12/2009 Liu et al. D14/327
D606,992 S * 12/2009 Liu et al. D14/327
D608,777 S * 1/2010 Yoon D14/315
D611,044 S * 3/2010 Andre et al. D14/327
D611,045 S * 3/2010 Andre et al. D14/327
D611,468 S 3/2010 Yun et al.
D611,941 S * 3/2010 Wang et al. D14/341
D614,180 S * 4/2010 Gou D14/318
D614,614 S * 4/2010 Yoon D14/315
D614,615 S * 4/2010 Yoon D14/315
D615,539 S * 5/2010 Jen D14/315

D616,881 S * 6/2010 Andre et al. D14/318
D617,789 S * 6/2010 Akana et al. D14/318

OTHER PUBLICATIONS

U.S. Appl. No. 29/315,566, Applicant: Sang-Won Yoon, filed Jul. 6, 2009 entitled Notebook Computer.
U.S. Appl. No. 29/315,567, Applicant: Sang-Won Yoon, filed Jul. 6, 2009 entitled Notebook Computer.
U.S. Appl. No. 29/349,005, Applicant: Atsushi Kawase et al., filed Mar. 1, 2010 entitled Note Book.
U.S. Appl. No. 29/349,008, Applicant: Se-O Lee et al., filed Mar. 2, 2010 entitled Net Book.
U.S. Appl. No. 29/349,009, Applicant: Sang-Won Yoon et al., filed Mar. 2, 2010 entitled Net Book.
U.S. Appl. No. 29/349,010, Applicant: Seung-Hyun Paek et al., filed Mar. 2, 2010 entitled Net Book.
U.S. Appl. No. 29/349,011, Applicant: Se-O-Lee et al., filed Mar. 2, 2010 entitled Net Book.
U.S. Appl. No. 29/349,022, Applicant: Sang-Won Yoon et al., filed Mar. 2, 2010 entitled Net Book.
U.S. Appl. No. 29/349,024, Applicant: Seung-Hyun Paek, filed Mar. 2, 2010 entitled Net Book.
U.S. Appl. No. 29/349,025, Applicant: Sang-Won Yoon, filed Mar. 2, 2010 entitled Net Book.

* cited by examiner

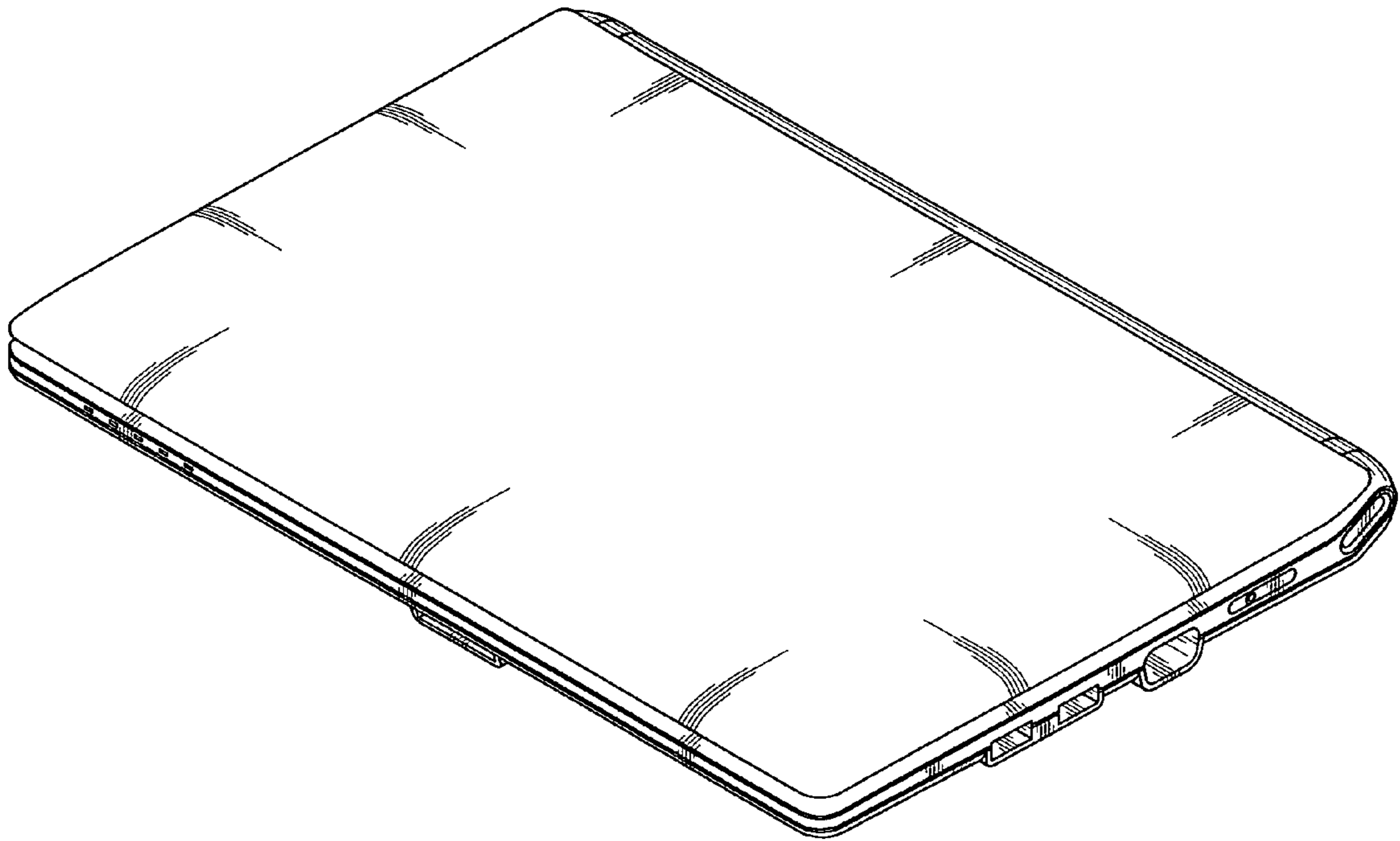


FIG. 1

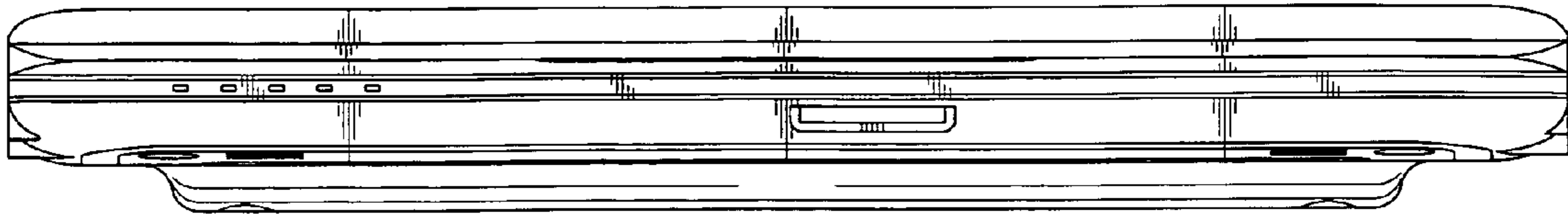


FIG. 2

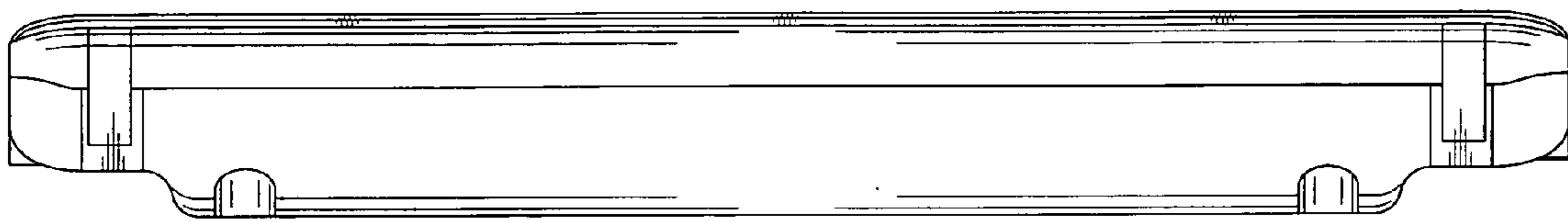


FIG. 3

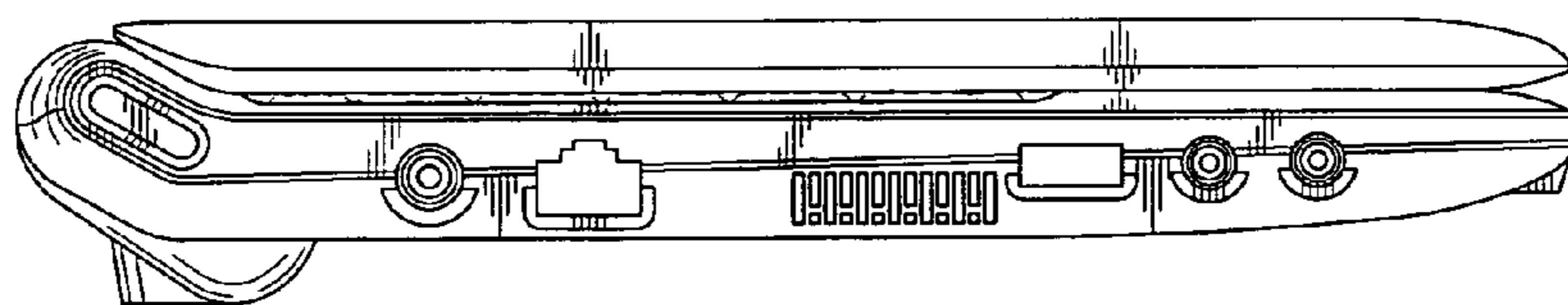


FIG. 4

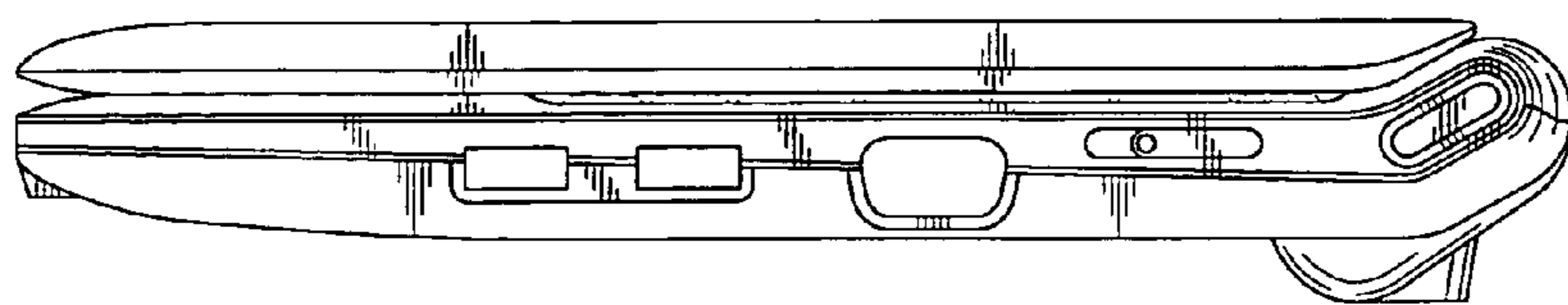


FIG. 5

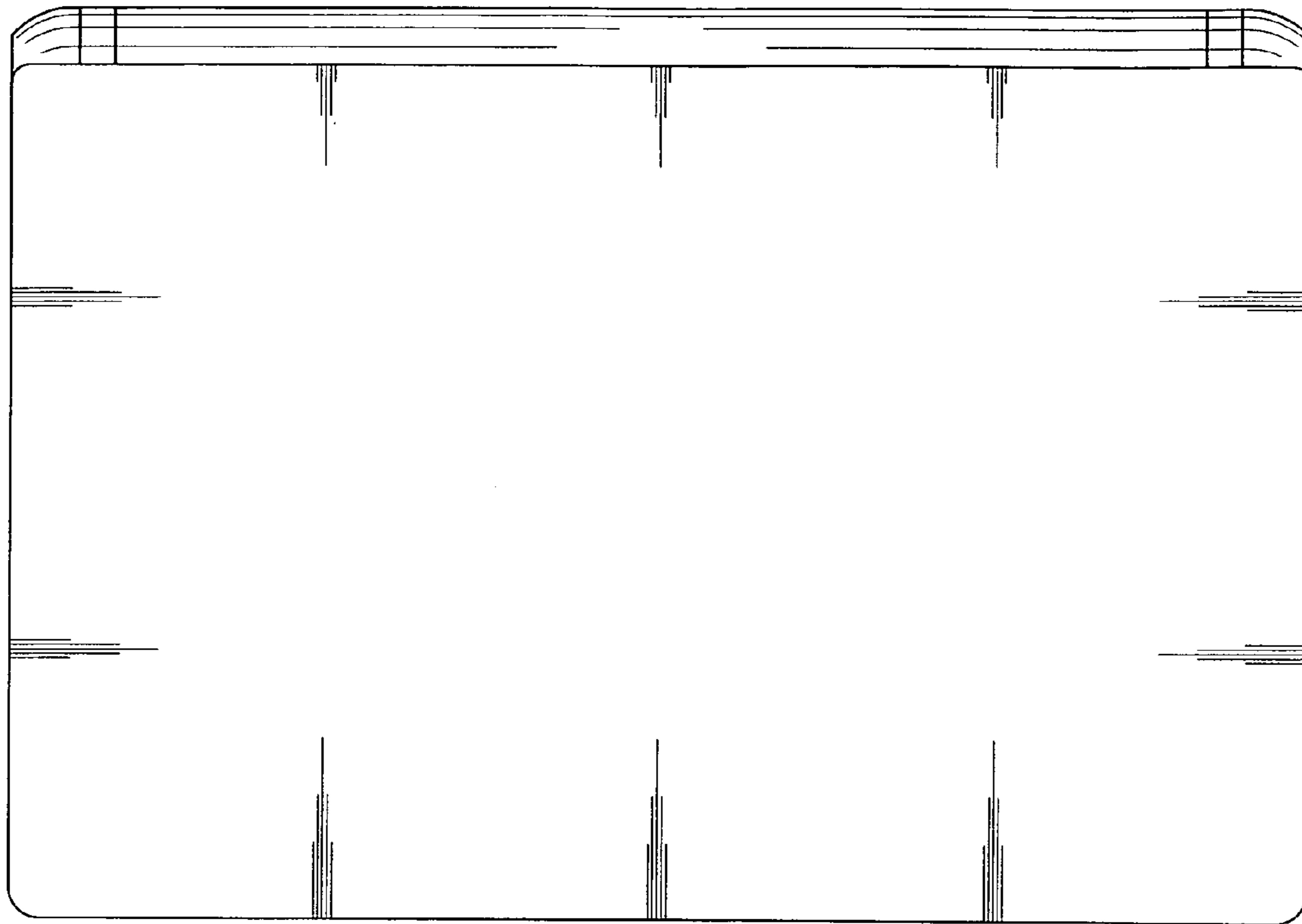


FIG. 6

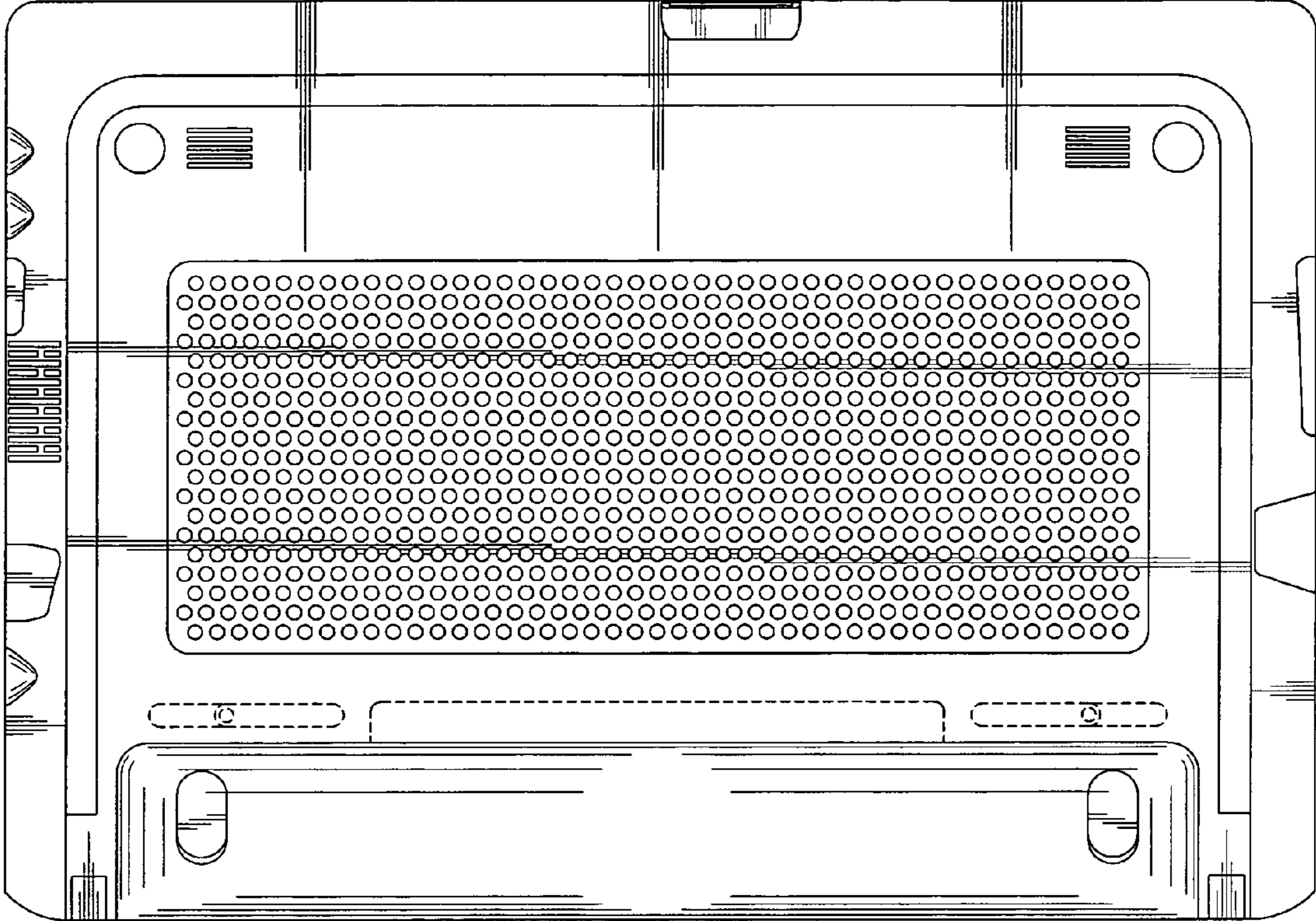


FIG. 7