



US00D628194S

(12) **United States Design Patent**  
**Koch**

(10) **Patent No.:** **US D628,194 S**  
(45) **Date of Patent:** **\*\* Nov. 30, 2010**

(54) **COMMUNICATIONS HEADSET**

(75) Inventor: **Christophe Koch**, Santa Cruz, CA (US)

(73) Assignee: **Plantronics, Inc.**, Santa Cruz, CA (US)

(\*\*) Term: **14 Years**

(21) Appl. No.: **29/357,239**

(22) Filed: **Mar. 9, 2010**

(51) **LOC (9) Cl.** ..... **14-01**

(52) **U.S. Cl.** ..... **D14/223**

(58) **Field of Classification Search** ..... D14/205,  
D14/206, 223, 188, 192, 248; 181/129, 130,  
181/135; 379/430, 433.03; 381/380, 381,  
381/374; D24/174; 455/90.3, 575.1, 575.2  
See application file for complete search history.

(56) **References Cited**

**U.S. PATENT DOCUMENTS**

|                |         |                    |       |         |
|----------------|---------|--------------------|-------|---------|
| D494,569 S *   | 8/2004  | Ma                 | ..... | D14/223 |
| 6,922,476 B2 * | 7/2005  | Nassimi            | ..... | 381/380 |
| D517,054 S *   | 3/2006  | Yang               | ..... | D14/223 |
| D520,497 S *   | 5/2006  | Yang               | ..... | D14/223 |
| D555,151 S *   | 11/2007 | Eklund             | ..... | D14/223 |
| D564,500 S *   | 3/2008  | Wang               | ..... | D14/223 |
| D565,033 S *   | 3/2008  | Goransson          | ..... | D14/223 |
| D566,694 S *   | 4/2008  | Kim et al.         | ..... | D14/223 |
| D577,003 S *   | 9/2008  | Yang et al.        | ..... | D14/206 |
| D582,897 S *   | 12/2008 | Christopher et al. | ..... | D14/223 |
| D590,814 S *   | 4/2009  | Bradford           | ..... | D14/223 |
| D598,900 S *   | 8/2009  | Wikel et al.       | ..... | D14/223 |
| D602,476 S *   | 10/2009 | Lee et al.         | ..... | D14/223 |

D609,695 S \* 2/2010 Cigliano et al. .... D14/205  
D618,221 S \* 6/2010 Fahrendorff et al. .... D14/223

\* cited by examiner

*Primary Examiner*—Paula Greene

(74) *Attorney, Agent, or Firm*—Michael D. Rodriguez

(57) **CLAIM**

The ornamental design for a communications headset, as shown and described.

**DESCRIPTION**

FIG. 1 is front-bottom-right perspective view of a communications headset showing my new design;

FIG. 2 is a front view thereof;

FIG. 3 is a back view thereof;

FIG. 4 is a bottom view thereof;

FIG. 5 is a top view thereof;

FIG. 6 is a right side view thereof;

FIG. 7 is a left side view thereof;

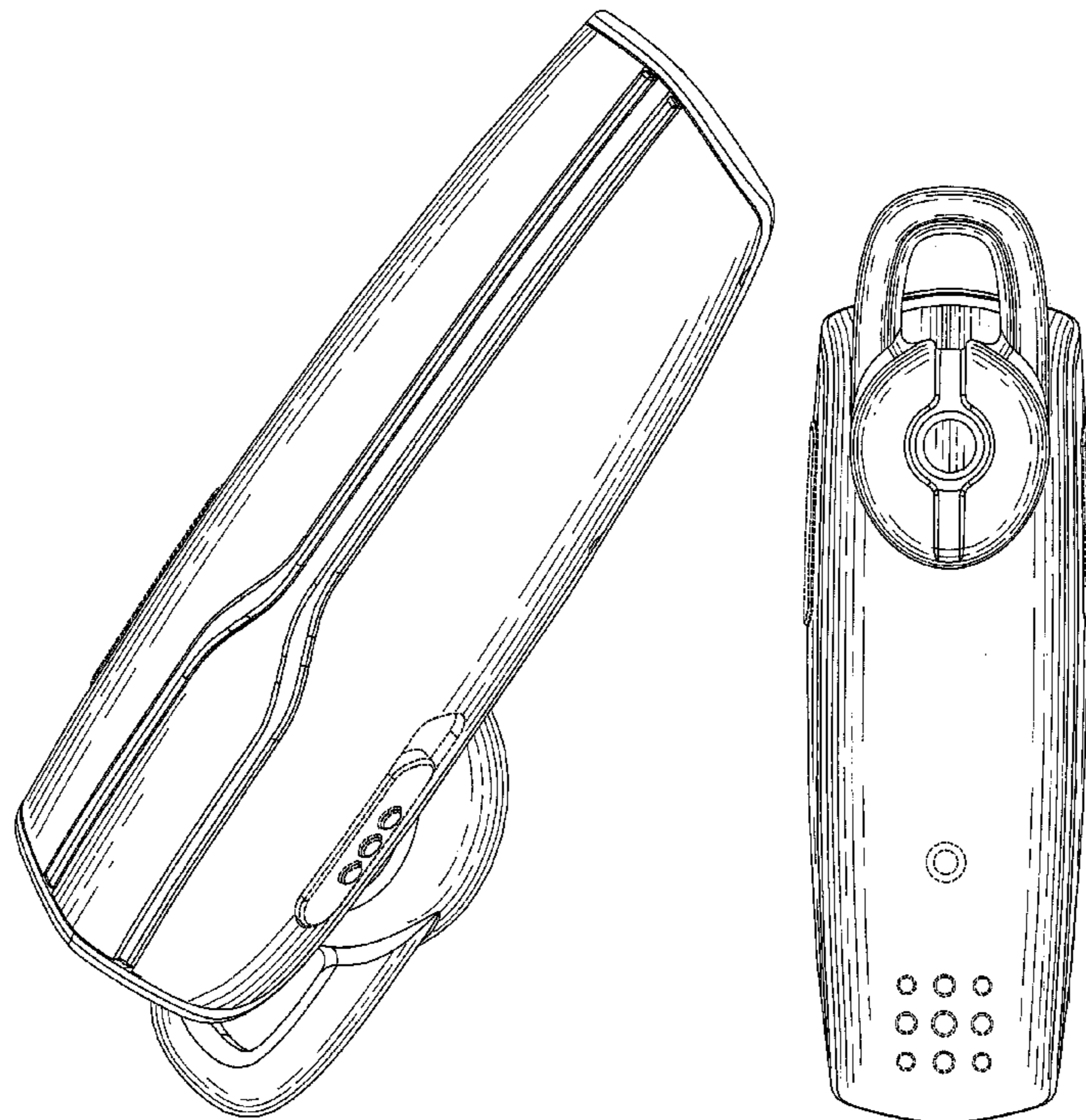
FIG. 8 is another top view of FIG. 5 with an ear loop in broken lines;

FIG. 9 is a right side view thereof with the ear loop in broken lines; and,

FIG. 10 is left side view thereof with the ear loop in broken lines.

The broken lines showing of the unclaimed environment forms no part of the claimed design.

**1 Claim, 7 Drawing Sheets**



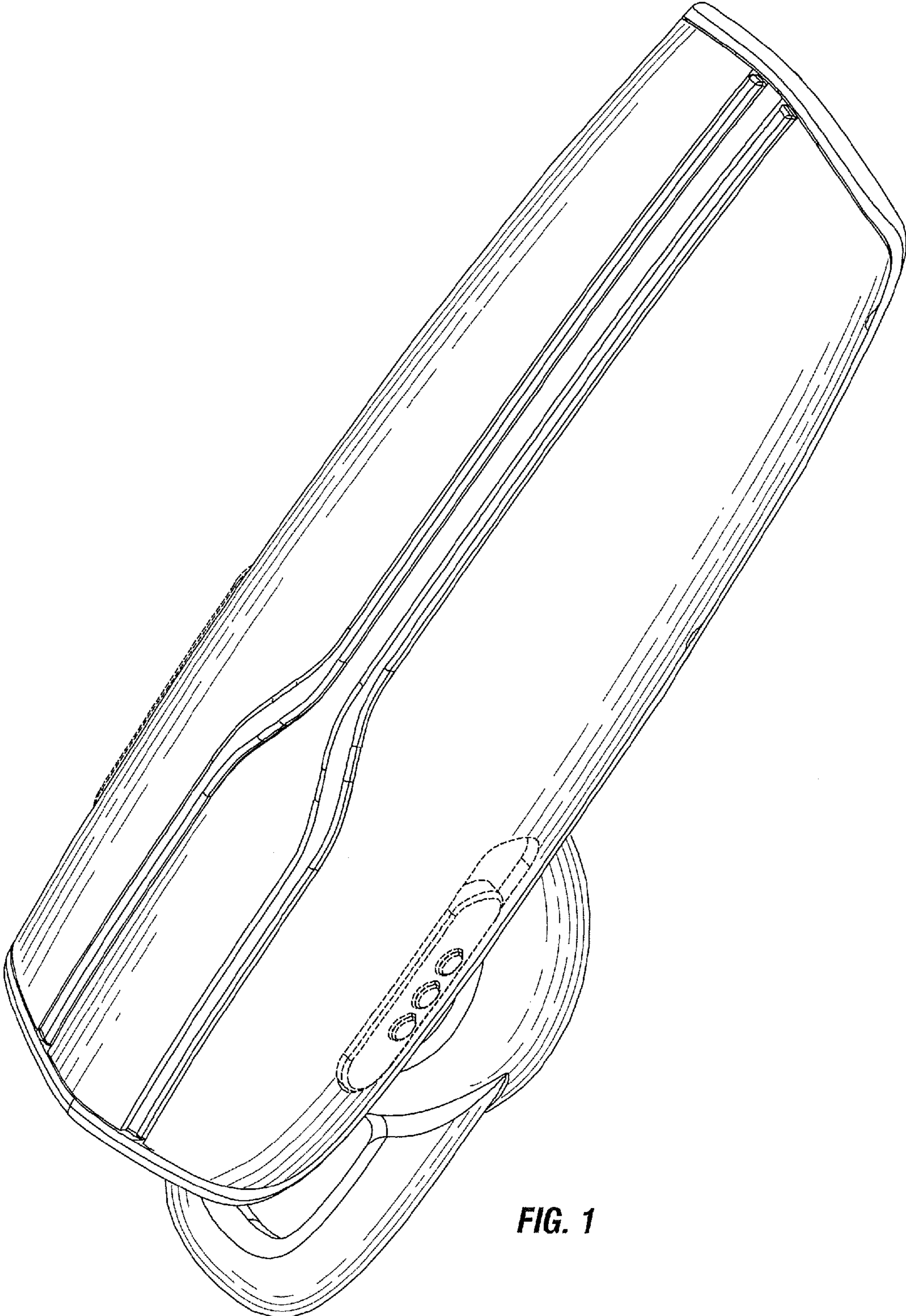
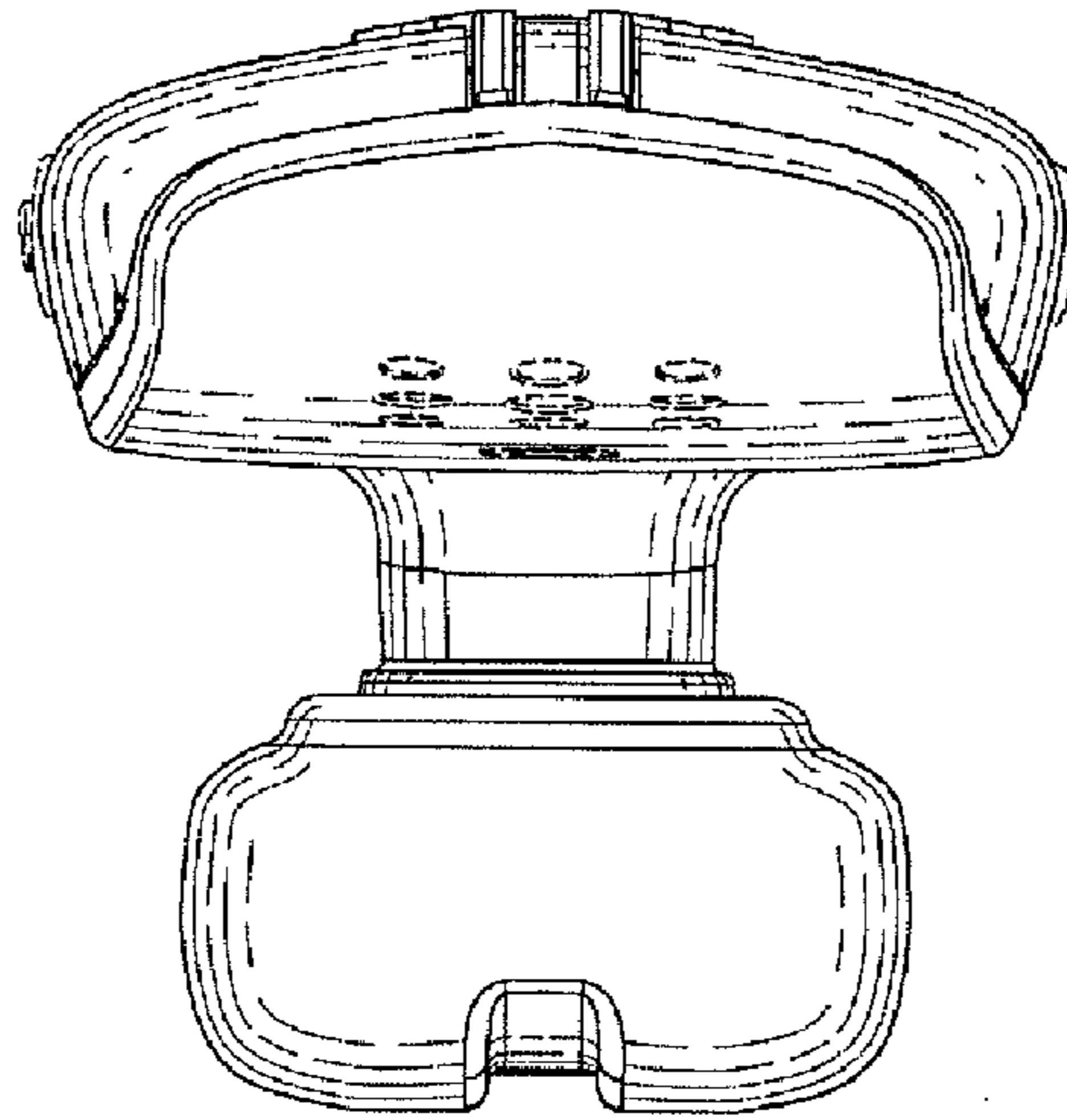
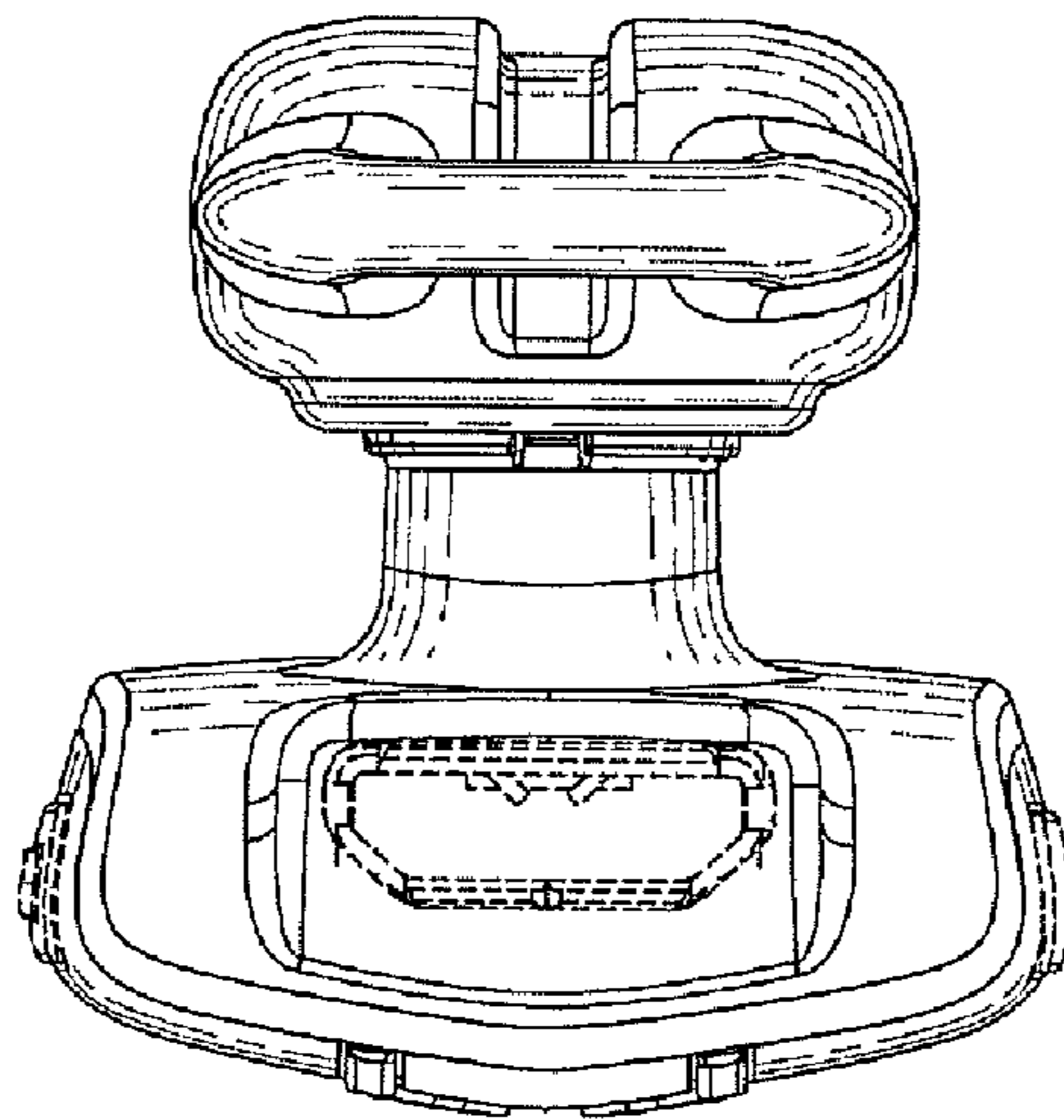


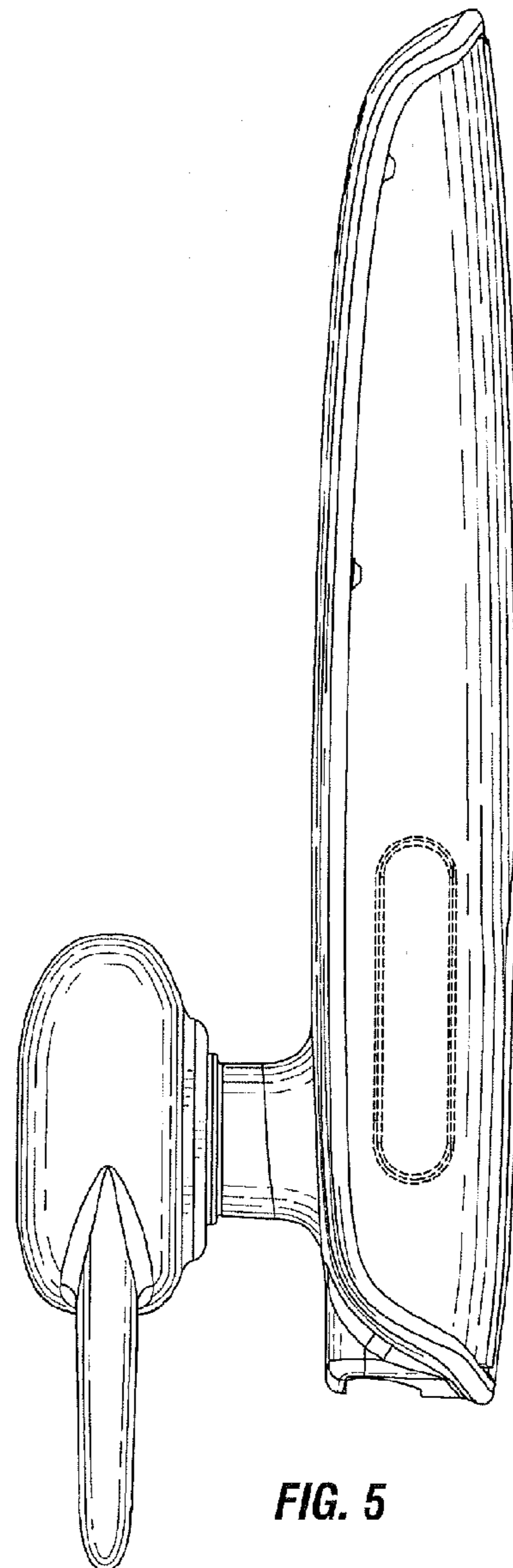
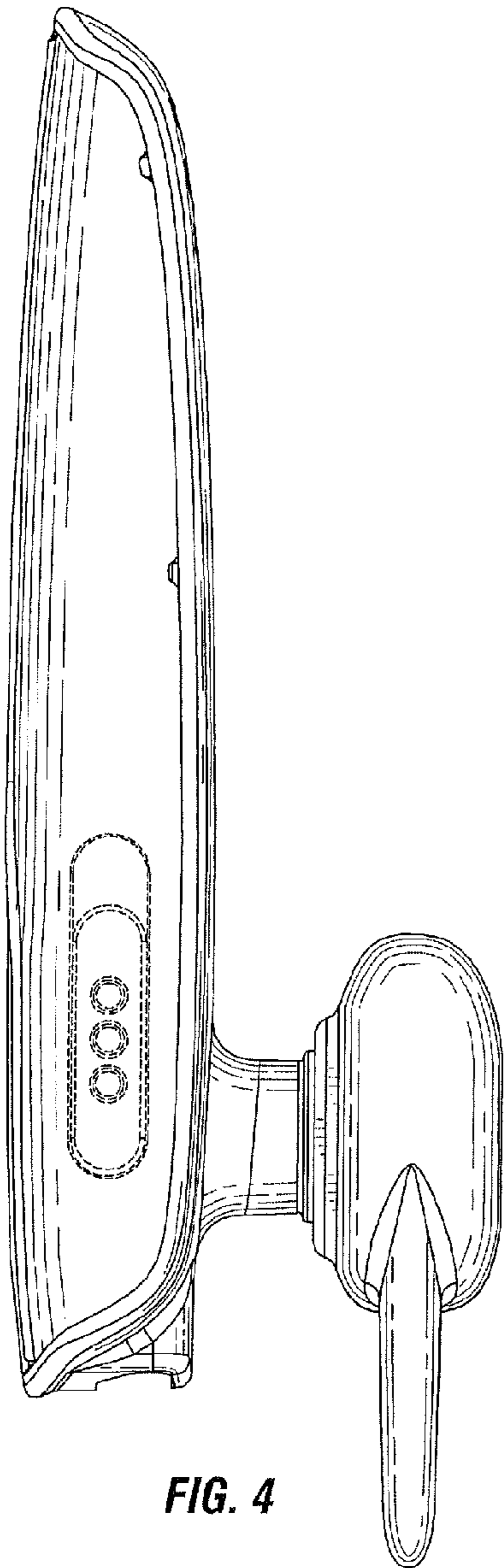
FIG. 1



**FIG. 2**



**FIG. 3**



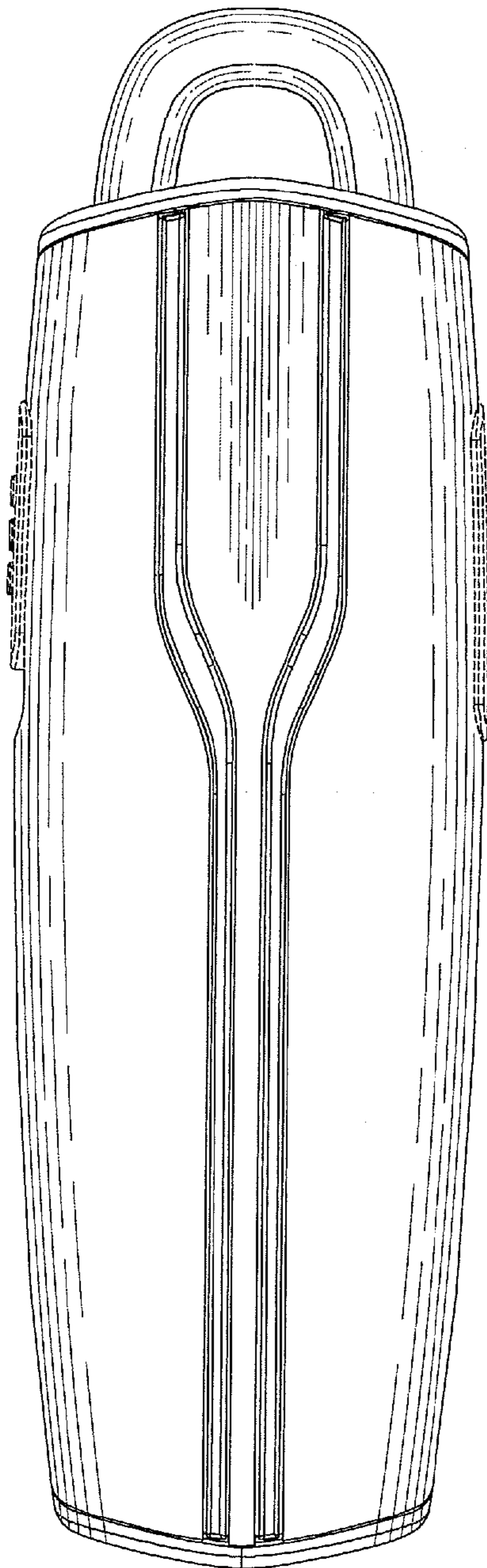


FIG. 6

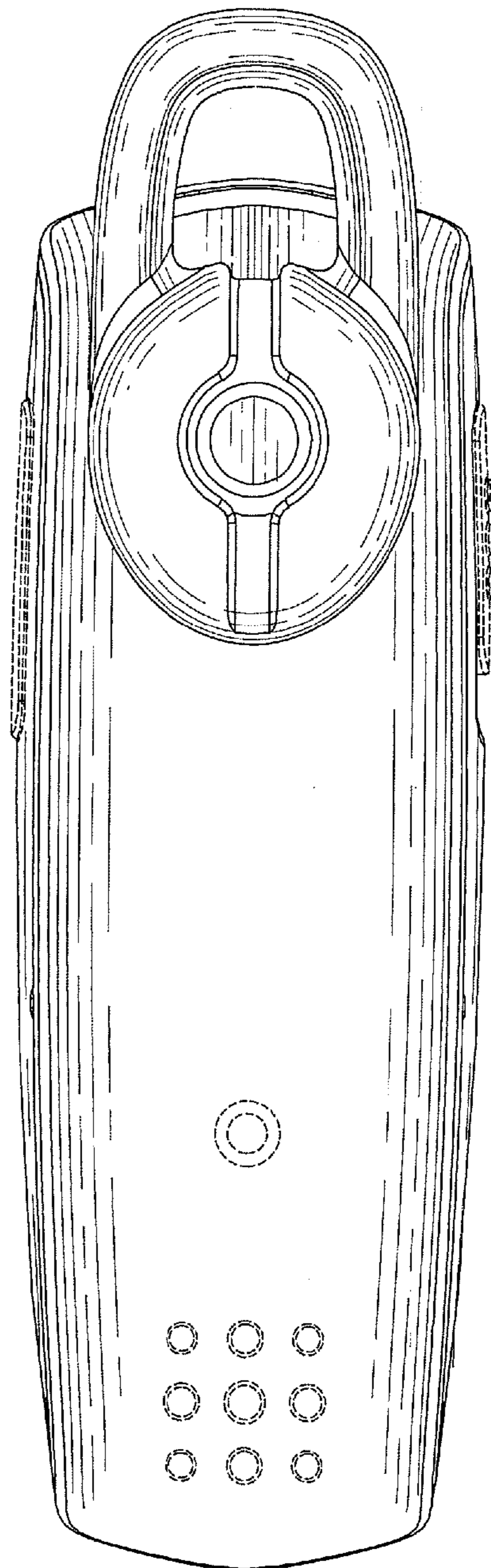
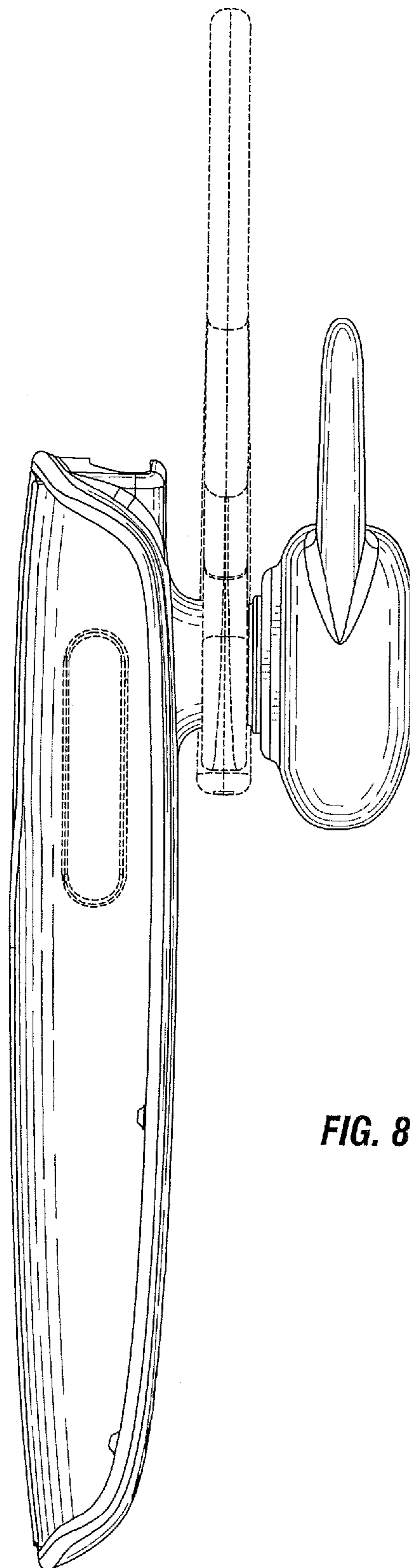


FIG. 7



**FIG. 8**

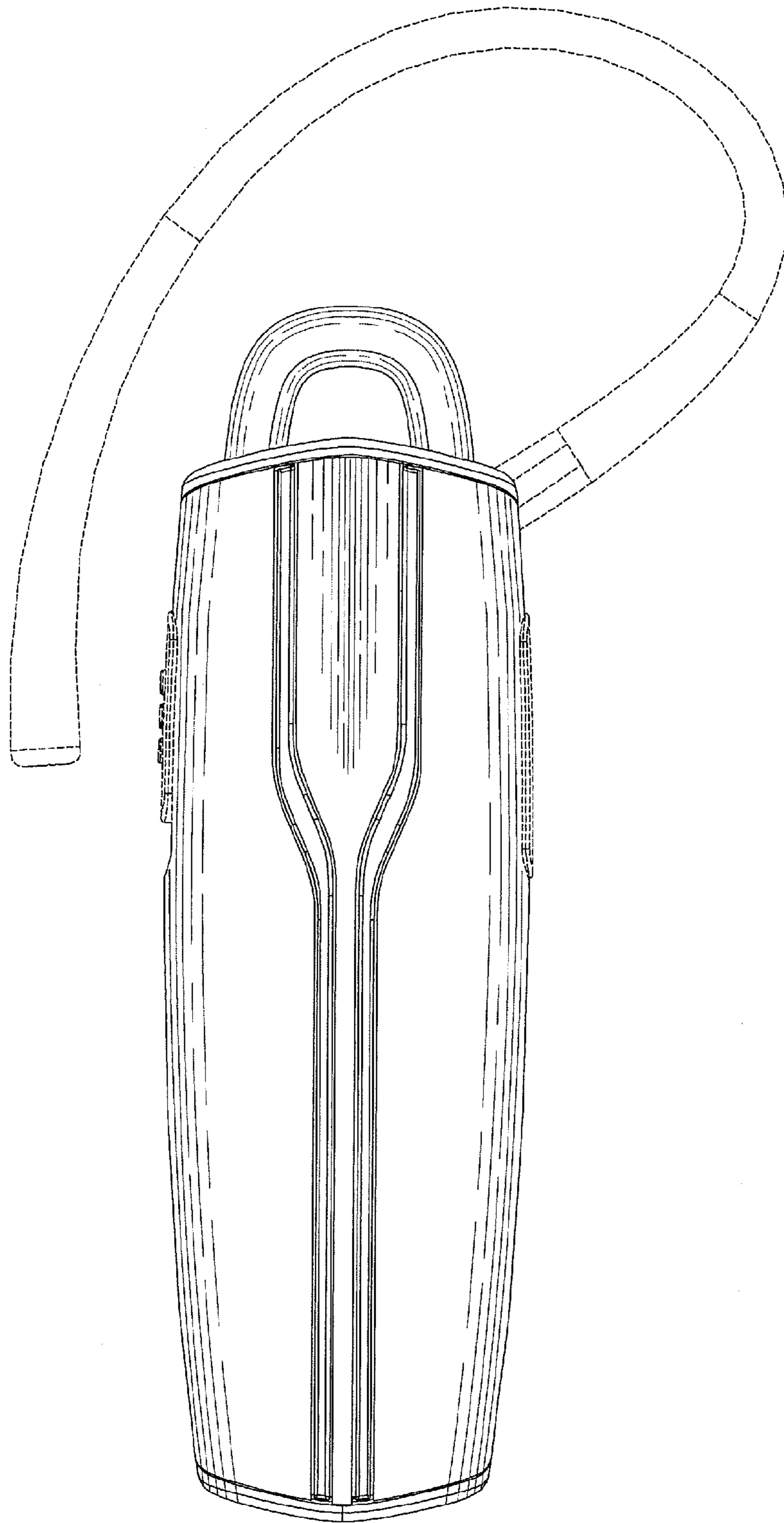


FIG. 9

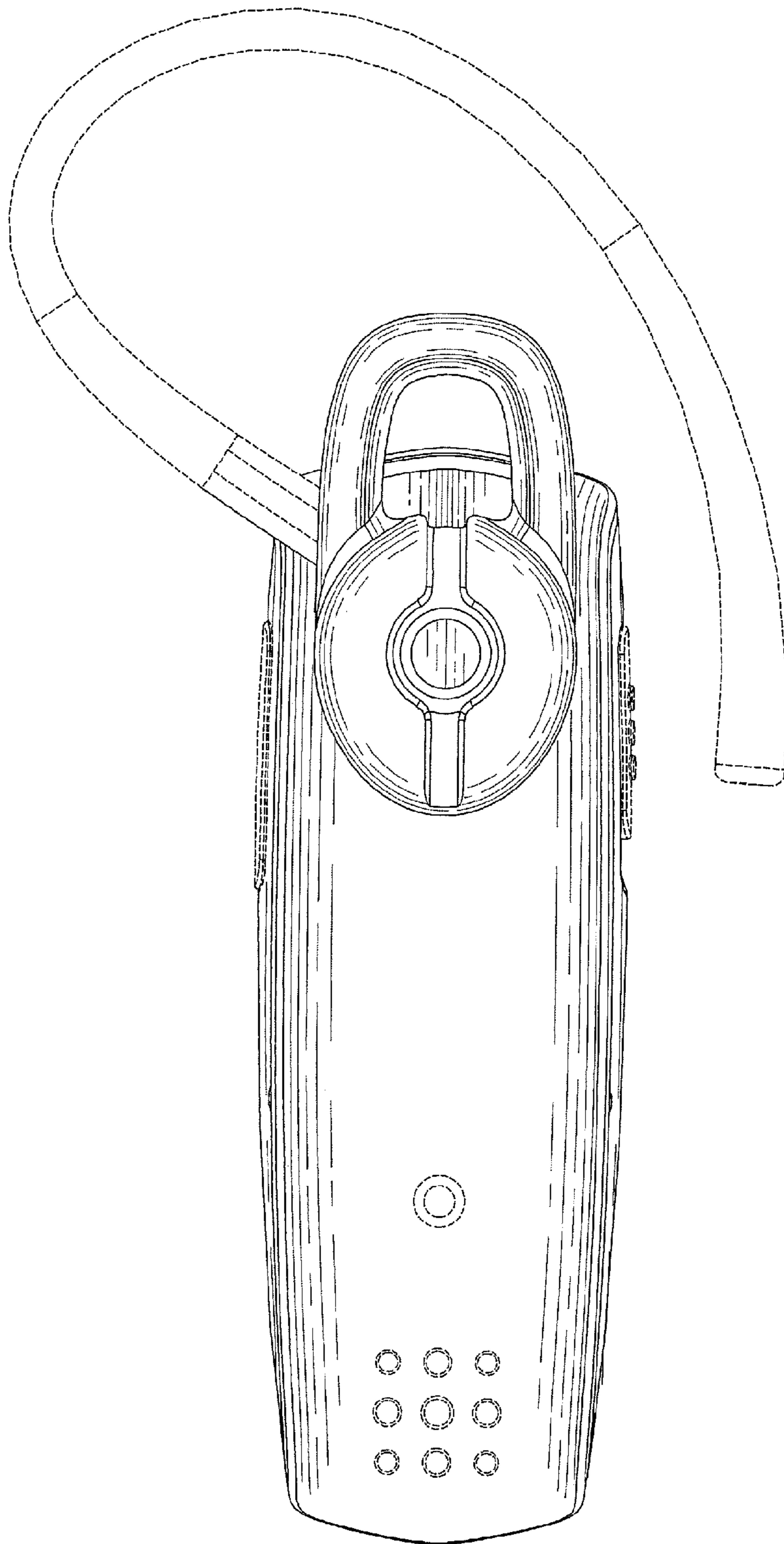


FIG. 10