



US00D628193S

(12) **United States Design Patent**
Zheng

(10) **Patent No.:** **US D628,193 S**

(45) **Date of Patent:** **** Nov. 30, 2010**

(54) **EARPHONE**

(75) Inventor: **Qi Zheng**, Tokyo (JP)

(73) Assignee: **Sony Corporation**, Tokyo (JP)

(**) Term: **14 Years**

(21) Appl. No.: **29/347,416**

(22) Filed: **Dec. 28, 2009**

(30) **Foreign Application Priority Data**

Aug. 14, 2009 (CN) 2009 3 0190318

(51) **LOC (9) Cl.** **14-01**

(52) **U.S. Cl.** **D14/223**

(58) **Field of Classification Search** D14/205,
D14/206, 223; 181/129, 130, 135; 379/430,
379/420.04; 381/380, 381; 128/865, 866,
128/864; D24/174; 455/90.3, 569.1, 575.1
See application file for complete search history.

(56) **References Cited**

U.S. PATENT DOCUMENTS

- 1,406,510 A * 2/1922 Weber 381/380
- 1,893,143 A * 1/1933 Koch 181/135
- 2,754,373 A * 7/1956 Shaper 381/371
- 4,417,104 A * 11/1983 Langer 181/135
- 4,588,867 A * 5/1986 Konomi 379/430
- 4,720,857 A * 1/1988 Burris et al. 379/430
- 5,363,444 A * 11/1994 Norris 379/430
- D353,379 S 12/1994 Nakamura et al.
- D369,349 S 4/1996 Hayashi
- D371,368 S 7/1996 Hayashi
- D384,958 S 10/1997 Shudo
- D431,553 S * 10/2000 Suzuki D14/223
- D474,171 S 5/2003 Suzuki
- D485,548 S 1/2004 Obata
- D487,077 S 2/2004 Obata
- D510,085 S 9/2005 Suzuki
- D526,642 S 8/2006 Choe
- D533,868 S 12/2006 Koizumi
- D539,268 S * 3/2007 Suzuki D14/206
- D554,627 S * 11/2007 Gondo D14/223

- D555,152 S * 11/2007 Wang D14/223
- D556,741 S * 12/2007 Yeo D14/223
- D557,689 S * 12/2007 Huang D14/223
- D562,809 S * 2/2008 Yang D14/223
- D566,099 S * 4/2008 Komiyama D14/206
- D566,687 S * 4/2008 Duarte et al. D14/205
- D567,217 S * 4/2008 Kamo et al. D14/205
- D572,242 S * 7/2008 Yang D14/223
- D572,703 S * 7/2008 Ledbetter et al. D14/205
- D575,269 S * 8/2008 Ledbetter et al. D14/205
- D576,154 S * 9/2008 Ledbetter et al. D14/223
- D578,517 S * 10/2008 Pausch D14/223
- D579,005 S * 10/2008 Wilhelmsen D14/223
- D586,332 S * 2/2009 Ewert et al. D14/223
- D587,681 S * 3/2009 Yanai D14/205

(Continued)

FOREIGN PATENT DOCUMENTS

JP D1263645 S 2/2006

(Continued)

Primary Examiner—Paula Greene
(74) *Attorney, Agent, or Firm*—Rader, Fishman & Grauer
PLLC

(57) **CLAIM**

The ornamental design for earphone, as shown and described.

DESCRIPTION

FIG. 1 is a perspective view of an earphone showing my new design;

FIG. 2 is a front elevational view thereof;

FIG. 3 is a rear elevational view thereof;

FIG. 4 is a left side elevational view thereof;

FIG. 5 is a right side elevational view thereof;

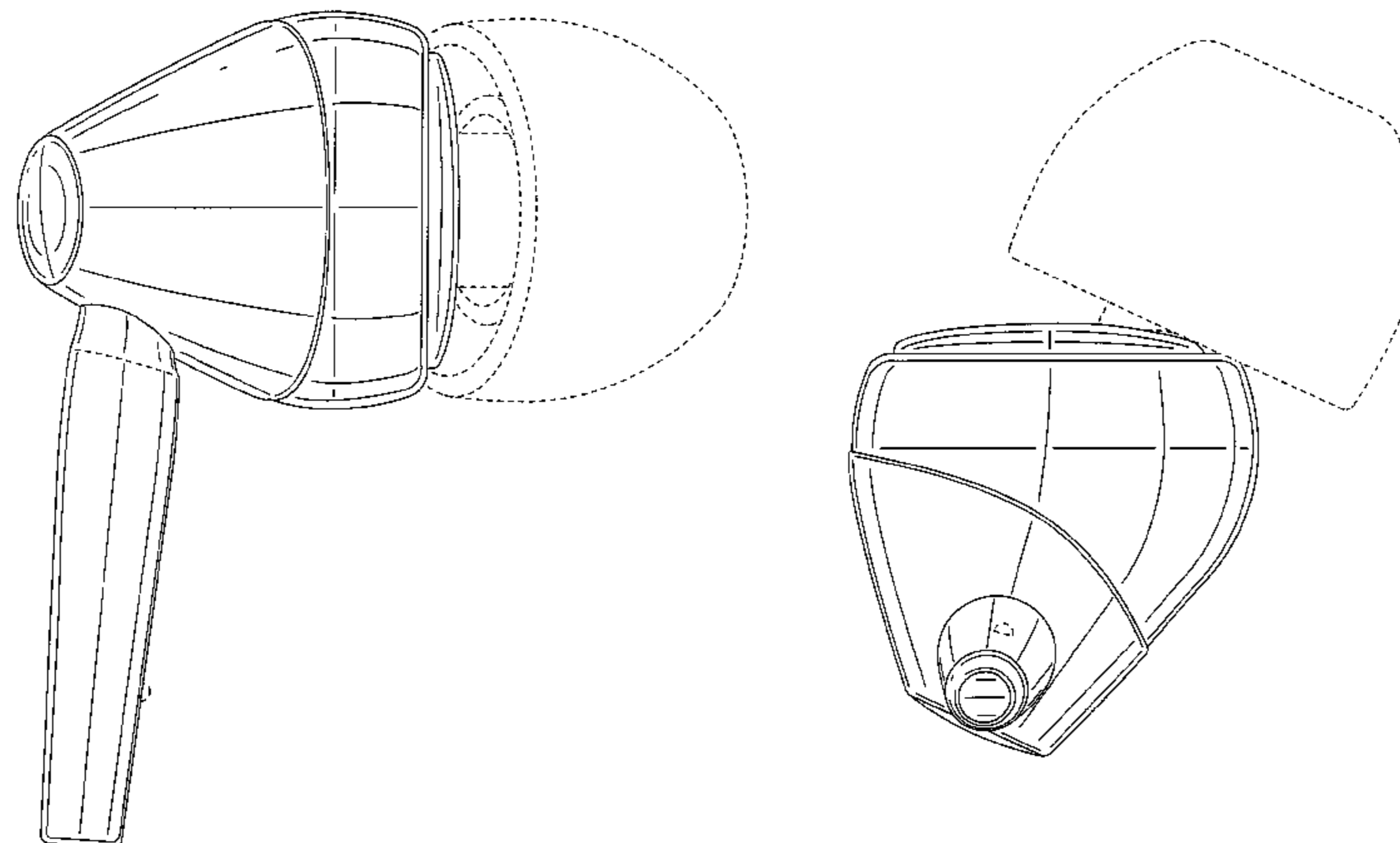
FIG. 6 is a top plan view thereof;

FIG. 7 is a bottom plan view thereof; and,

FIG. 8 is a reference perspective view thereof wherein an ear cushion is in the off position.

Portions in broken lines are for illustrative purpose only and form no part of the claimed design.

1 Claim, 8 Drawing Sheets



US D628,193 S

Page 2

U.S. PATENT DOCUMENTS

D587,685 S * 3/2009 Densho D14/206
D589,498 S * 3/2009 Komiyama D14/223
D590,375 S * 4/2009 Komiyama D14/223
D591,721 S 5/2009 Densho
D591,722 S 5/2009 Densho

D602,905 S * 10/2009 Morisawa D14/205

FOREIGN PATENT DOCUMENTS

JP D1337827 S 8/2008
JP D1337828 S 8/2008
JP D1352185 S 3/2009

* cited by examiner

FIG.1

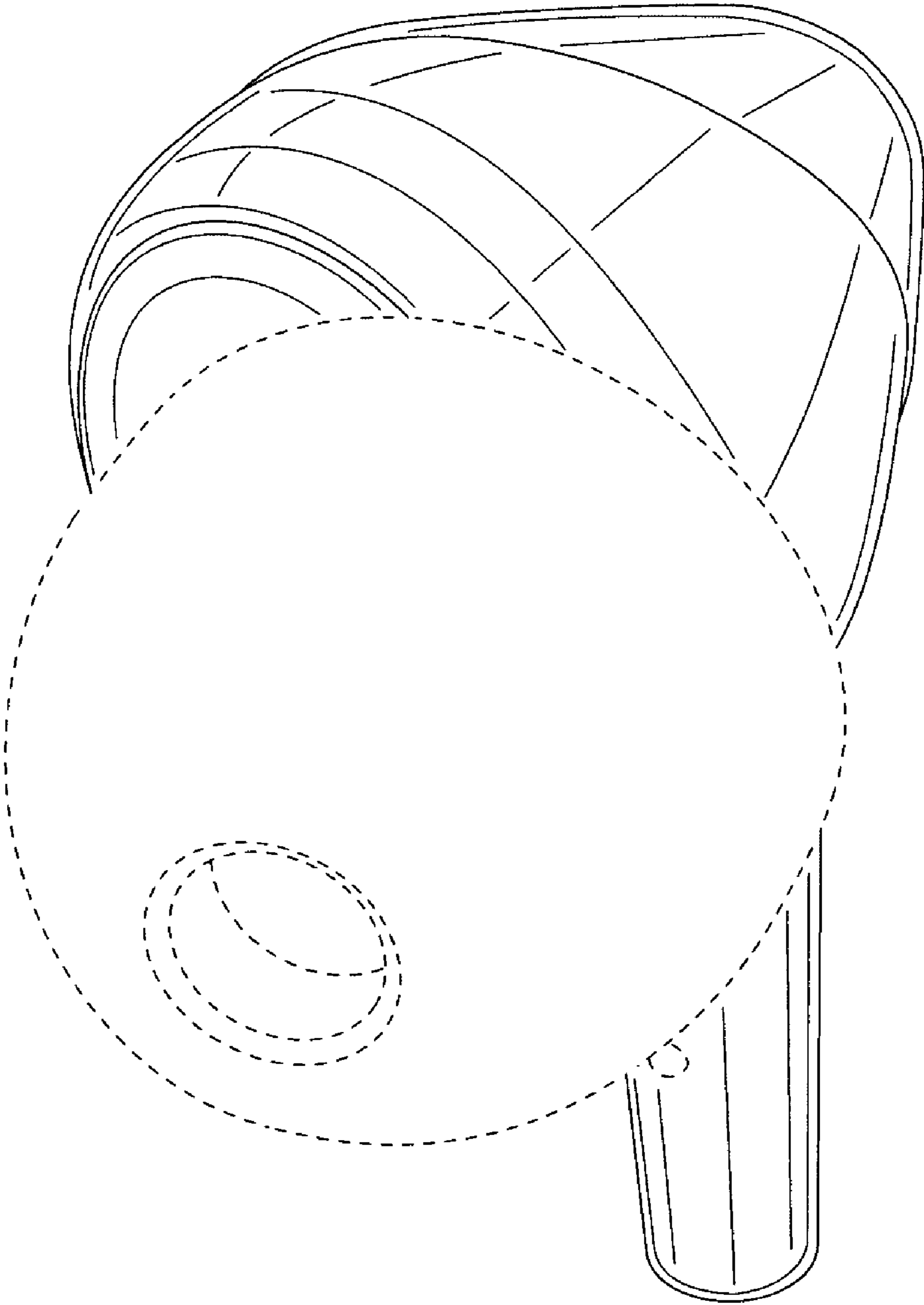


FIG.2

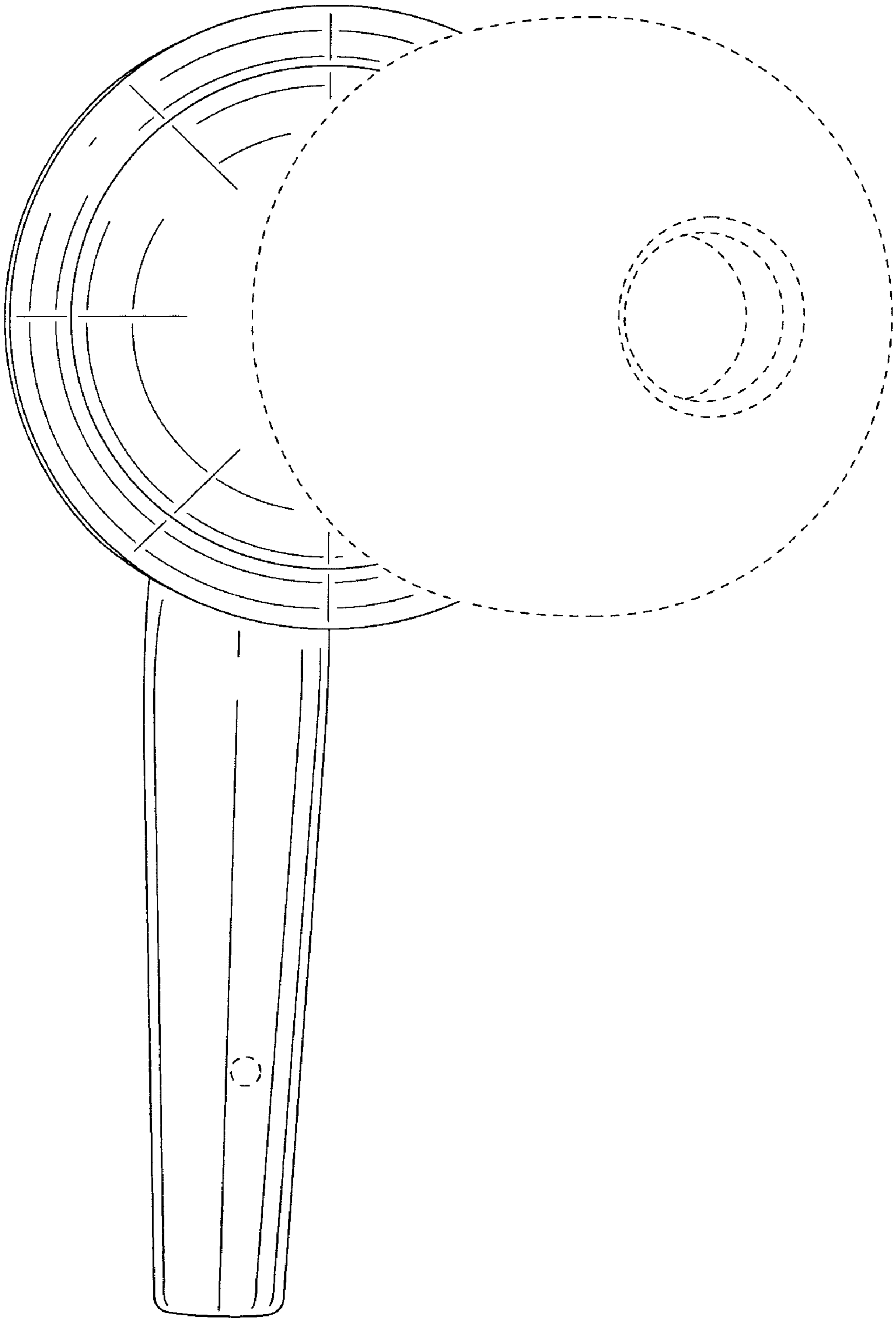


FIG.3

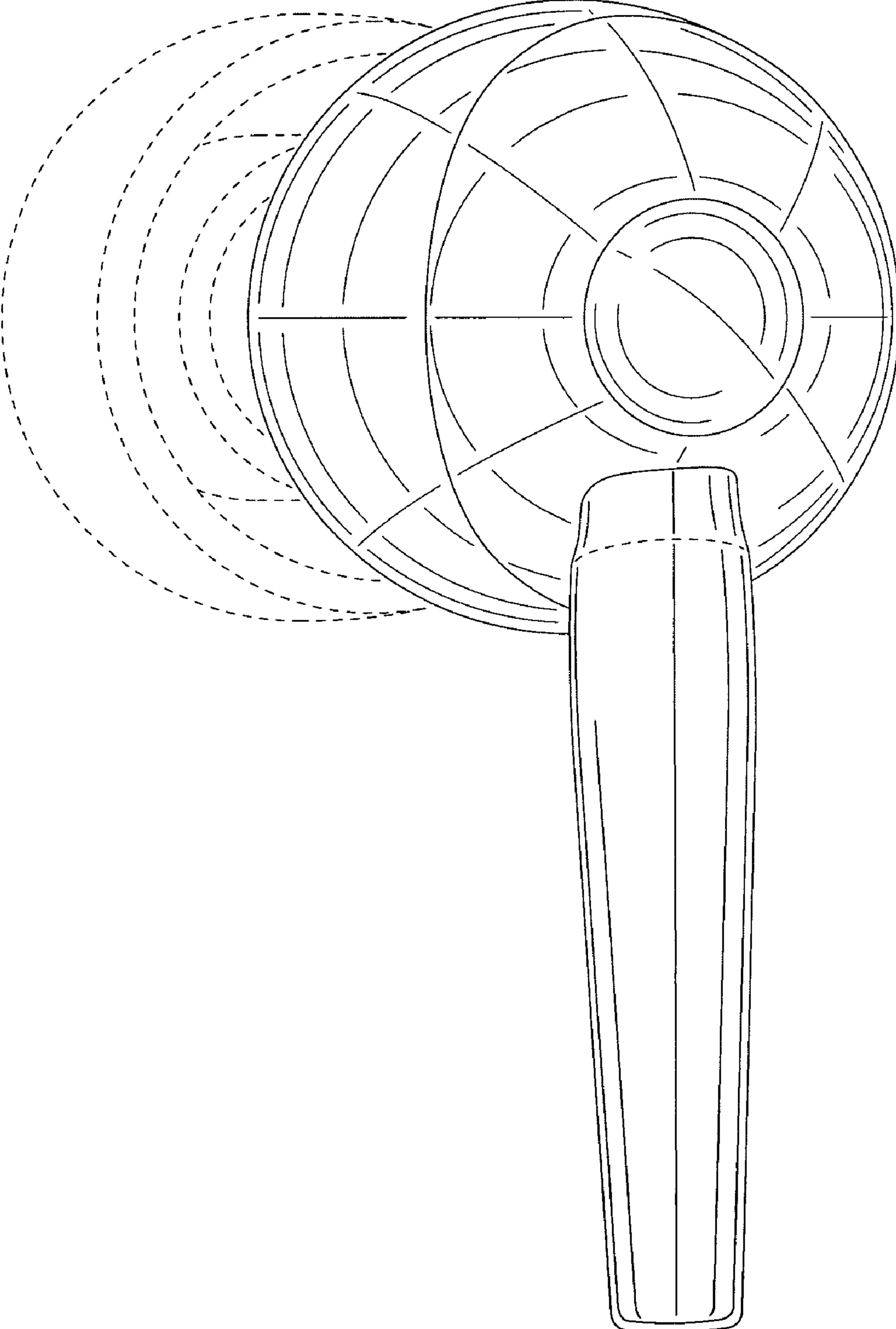


FIG.4

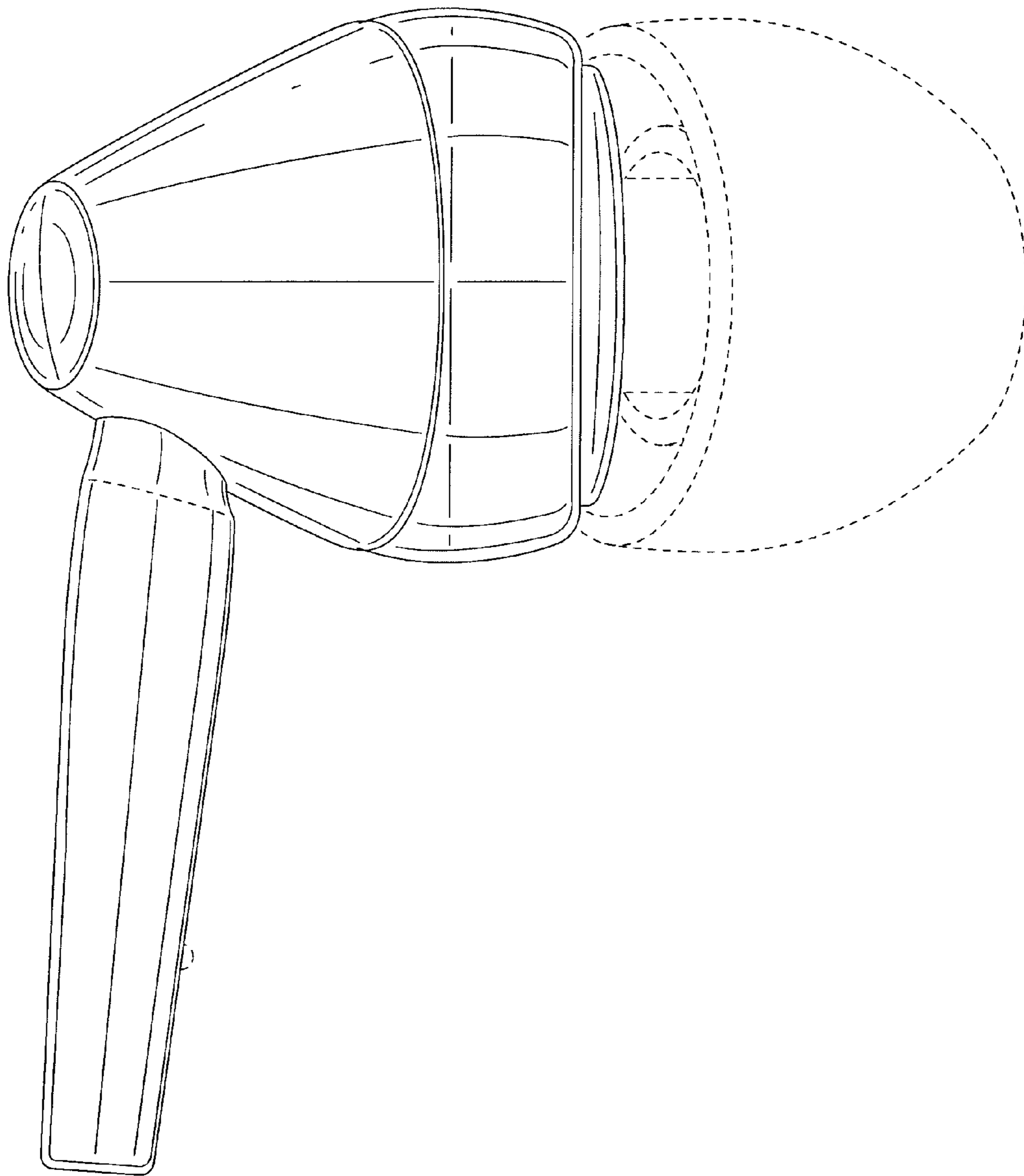


FIG.5

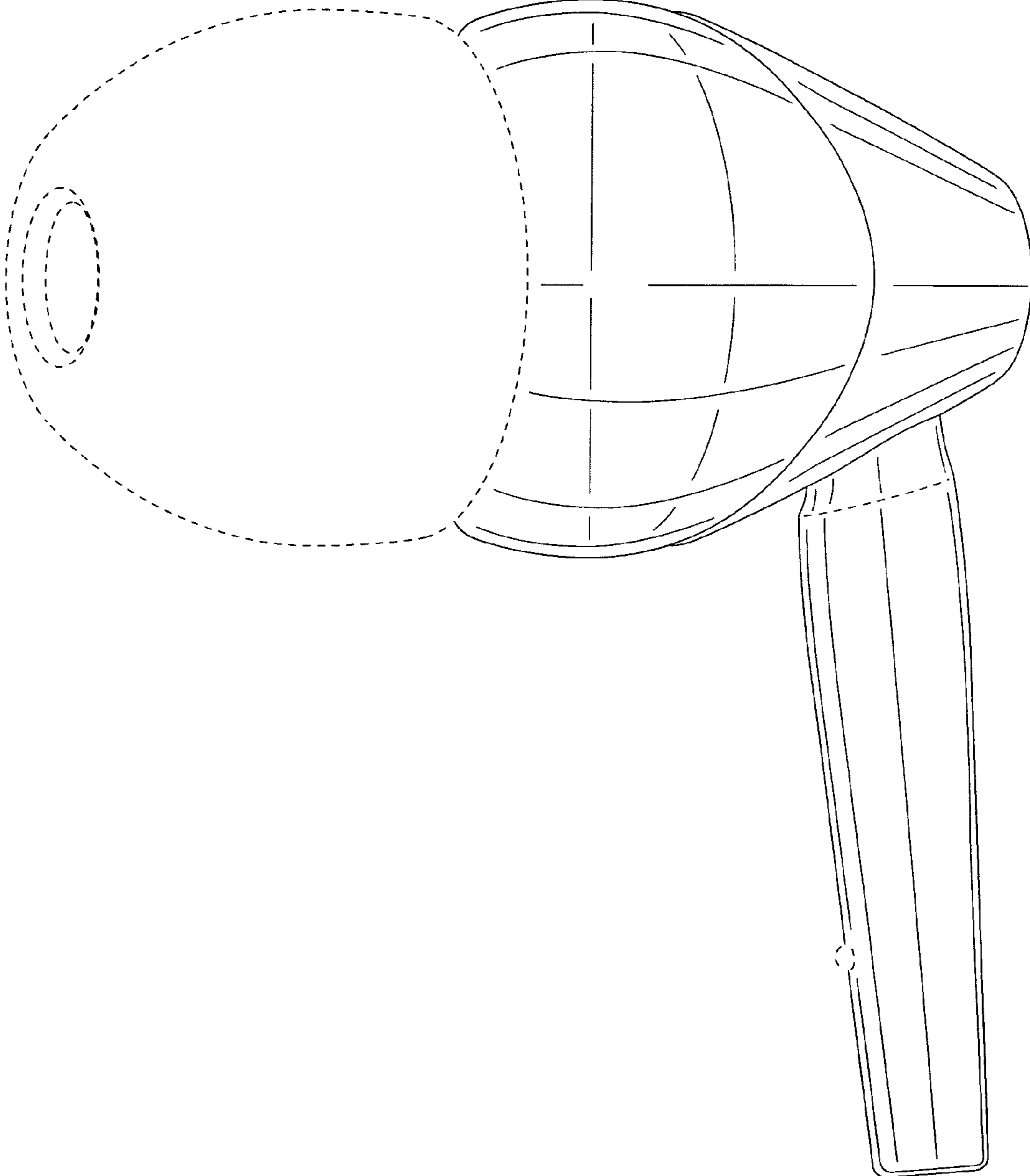


FIG.6

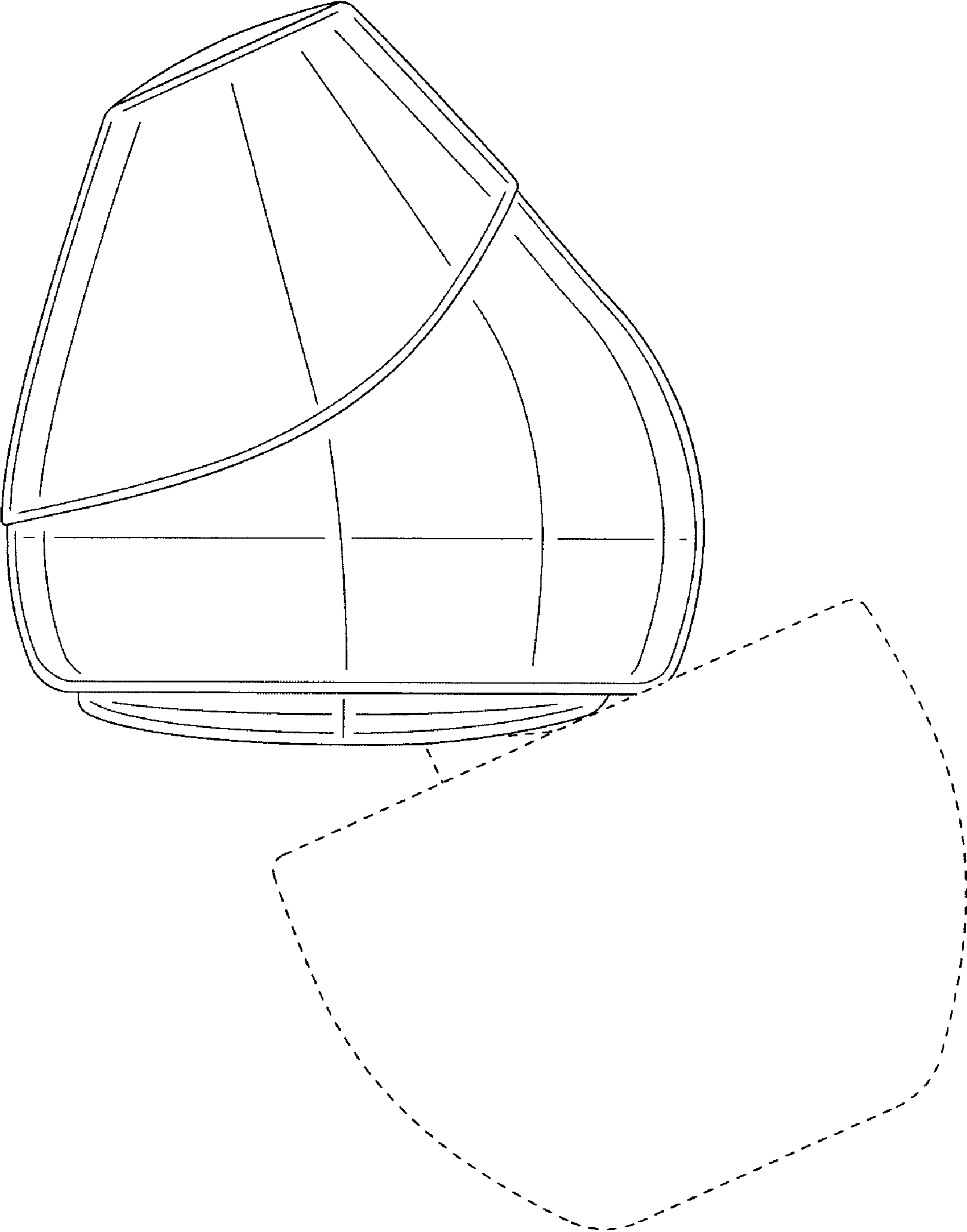


FIG.7

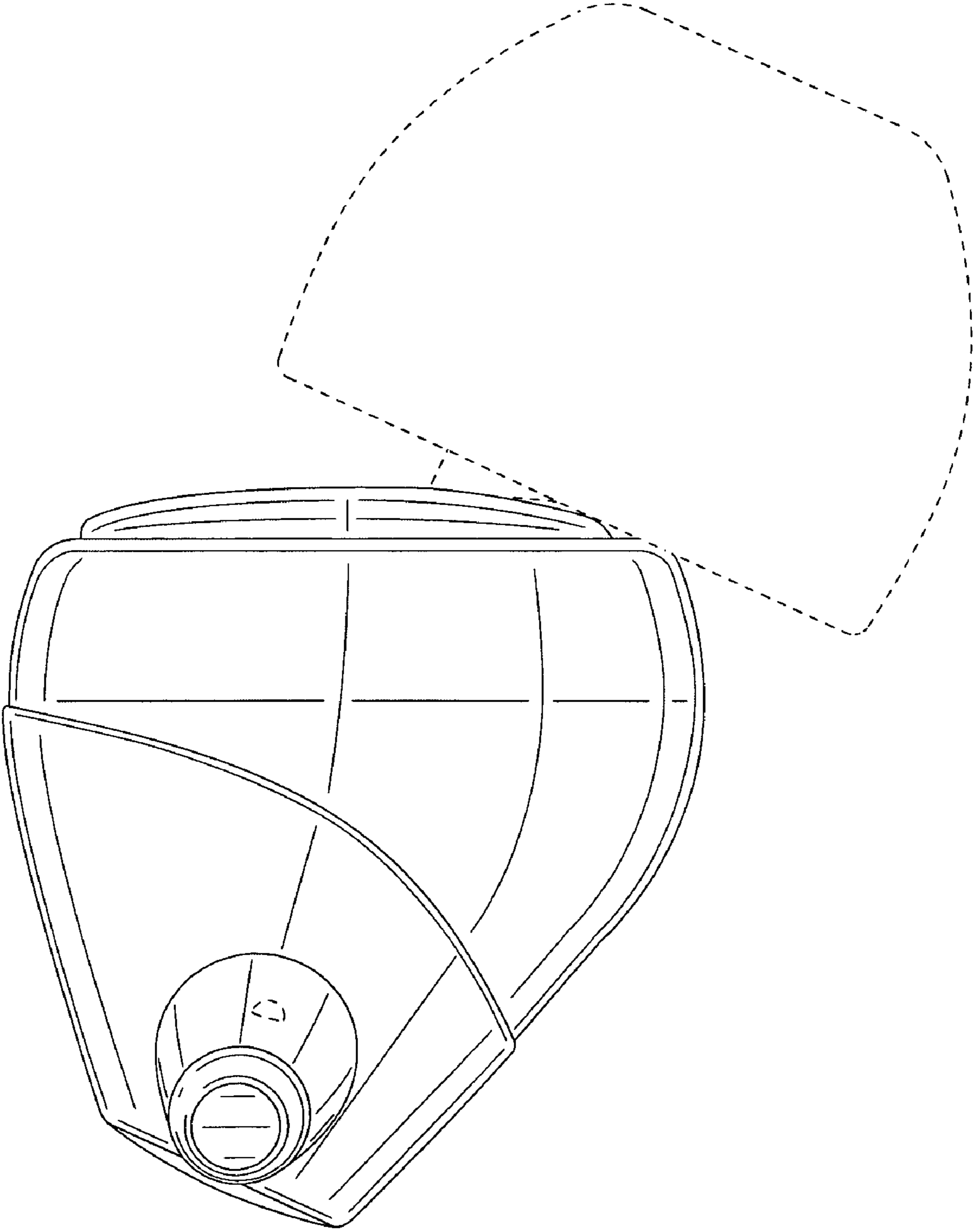


FIG.8

