



US00D628189S

(12) **United States Design Patent**  
**Rath**

(10) **Patent No.:** **US D628,189 S**  
(45) **Date of Patent:** **\*\* Nov. 30, 2010**

(54) **HEADSET**

(75) Inventor: **Klaus Rath**, Gentofte (DK)

(73) Assignee: **GN Netcom A/S** (DK)

(\*\*) Term: **14 Years**

(21) Appl. No.: **29/337,734**

(22) Filed: **May 28, 2009**

(30) **Foreign Application Priority Data**

Dec. 1, 2008 (EM) ..... 001048862-0001/0009

(51) **LOC (9) Cl.** ..... **14-01**

(52) **U.S. Cl.** ..... **D14/206**

(58) **Field of Classification Search** ..... D14/205,  
D14/206, 223, 433, 356, 192; 181/129, 130,  
181/135; 379/430, 431, 420.01, 420.02,  
379/420.03, 420.04; 381/380, 381, 370,  
381/375, 376, 377; 455/575.2, 569.1, 569.2  
See application file for complete search history.

(56) **References Cited**

**U.S. PATENT DOCUMENTS**

D286,874	S	*	11/1986	Bertagna et al.	.....	D14/205
D337,116	S	*	7/1993	Hattori	.....	D14/206
D337,587	S	*	7/1993	Nakayama	.....	D14/205
5,469,505	A	*	11/1995	Gathey et al.	.....	379/430
D377,020	S	*	12/1996	Bungardt et al.	.....	D14/205
D394,437	S	*	5/1998	Landreth et al.	.....	D14/206
6,154,539	A	*	11/2000	Pitel	.....	379/430
D478,901	S	*	8/2003	Rath et al.	.....	D14/223
6,622,029	B1	*	9/2003	Skulley et al.	.....	455/575.2
D482,019	S	*	11/2003	Petersen et al.	.....	D14/206
D484,137	S	*	12/2003	Wikel et al.	.....	D14/433
D488,146	S	*	4/2004	Minto	.....	D14/206
D494,154	S	*	8/2004	Polito	.....	D14/206
D494,957	S	*	8/2004	Rath et al.	.....	D14/206
D505,414	S	*	5/2005	Ko et al.	.....	D14/223

D514,086	S	*	1/2006	Skulley	.....	D14/206
D517,528	S	*	3/2006	Skulley	.....	D14/206
D530,307	S	*	10/2006	Rath	.....	D14/206
D531,165	S	*	10/2006	Rath	.....	D14/206
D574,368	S	*	8/2008	Chapman	.....	D14/225
7,424,125	B2	*	9/2008	Amae et al.	.....	381/374
D587,683	S	*	3/2009	Ham et al.	.....	D14/205
D587,684	S	*	3/2009	Ham et al.	.....	D14/205
D597,683	S	*	8/2009	Baccarini	.....	D25/61
D601,543	S	*	10/2009	Bentley	.....	D14/206
D602,001	S	*	10/2009	Bentley	.....	D14/206

\* cited by examiner

*Primary Examiner*—Paula Greene

(74) *Attorney, Agent, or Firm*—Altera Law Group, LLC

(57) **CLAIM**

The ornamental design for a headset, as shown and described.

**DESCRIPTION**

FIG. 1 is a perspective view of the headset thereof.

FIG. 2 is a side view thereof.

FIG. 3 is a back view thereof.

FIG. 4 is a top view thereof.

FIG. 5 is a bottom view thereof.

FIG. 6 is a side view thereof.

FIG. 7 is a back view thereof.

FIG. 8 is a perspective view of a headset of a second embodiment of a headset showing my new design;

FIG. 9 is a side view thereof.

FIG. 10 is a back view thereof.

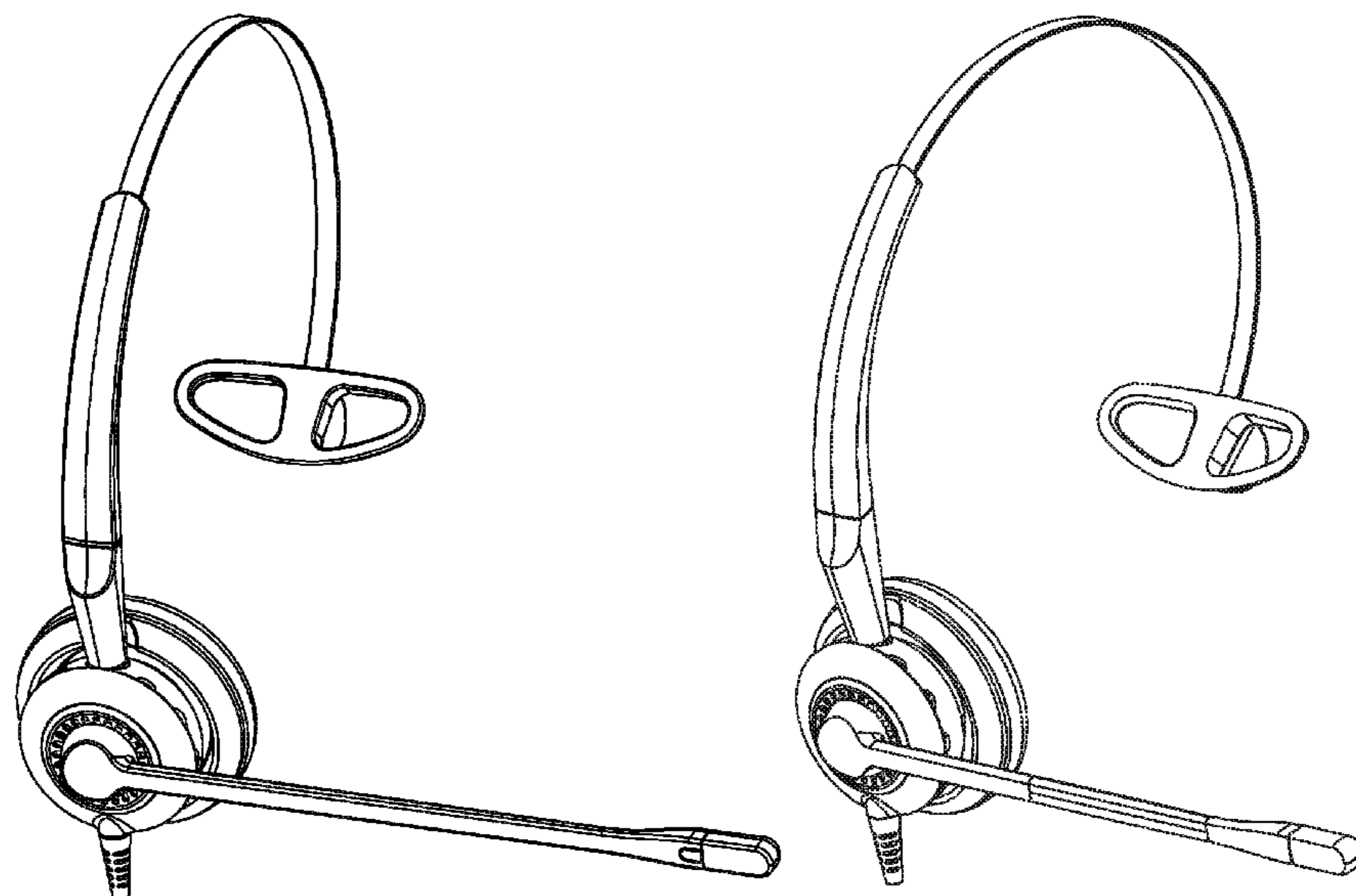
FIG. 11 is a top view thereof.

FIG. 12 is a bottom view thereof.

FIG. 13 is a side view thereof; and,

FIG. 14 is a back view thereof.

**1 Claim, 8 Drawing Sheets**



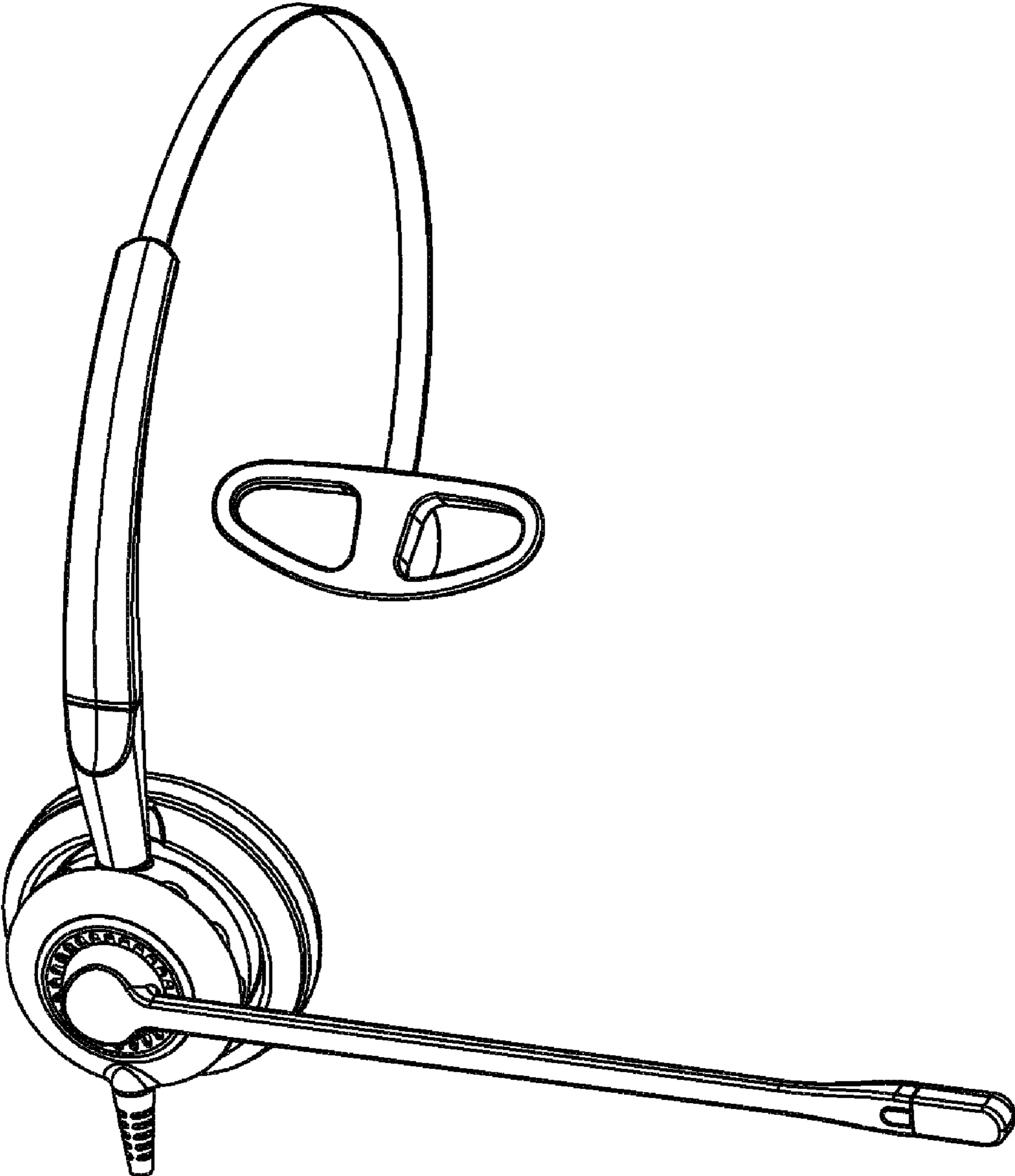


Fig. 1

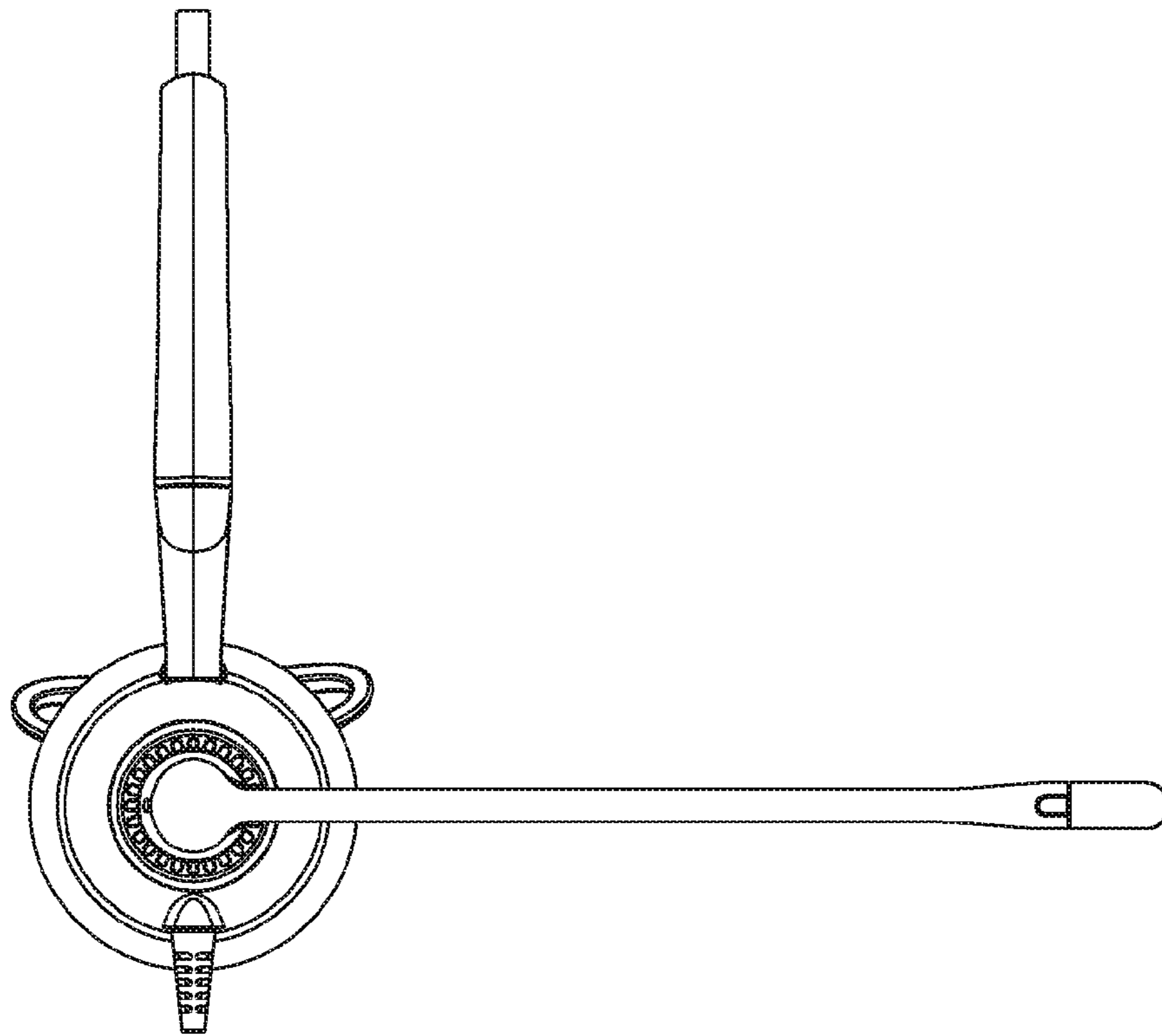


Fig. 2

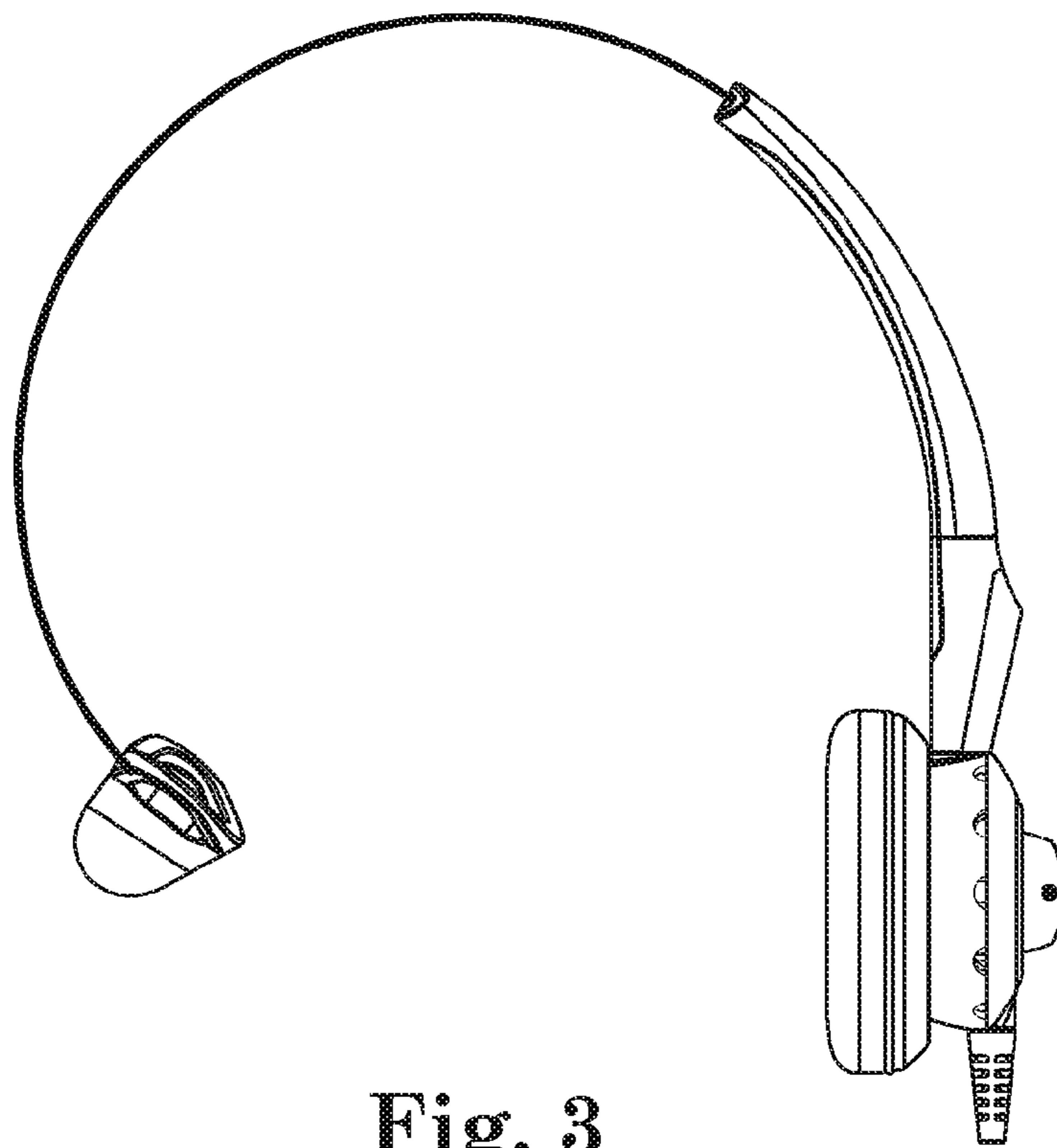


Fig. 3

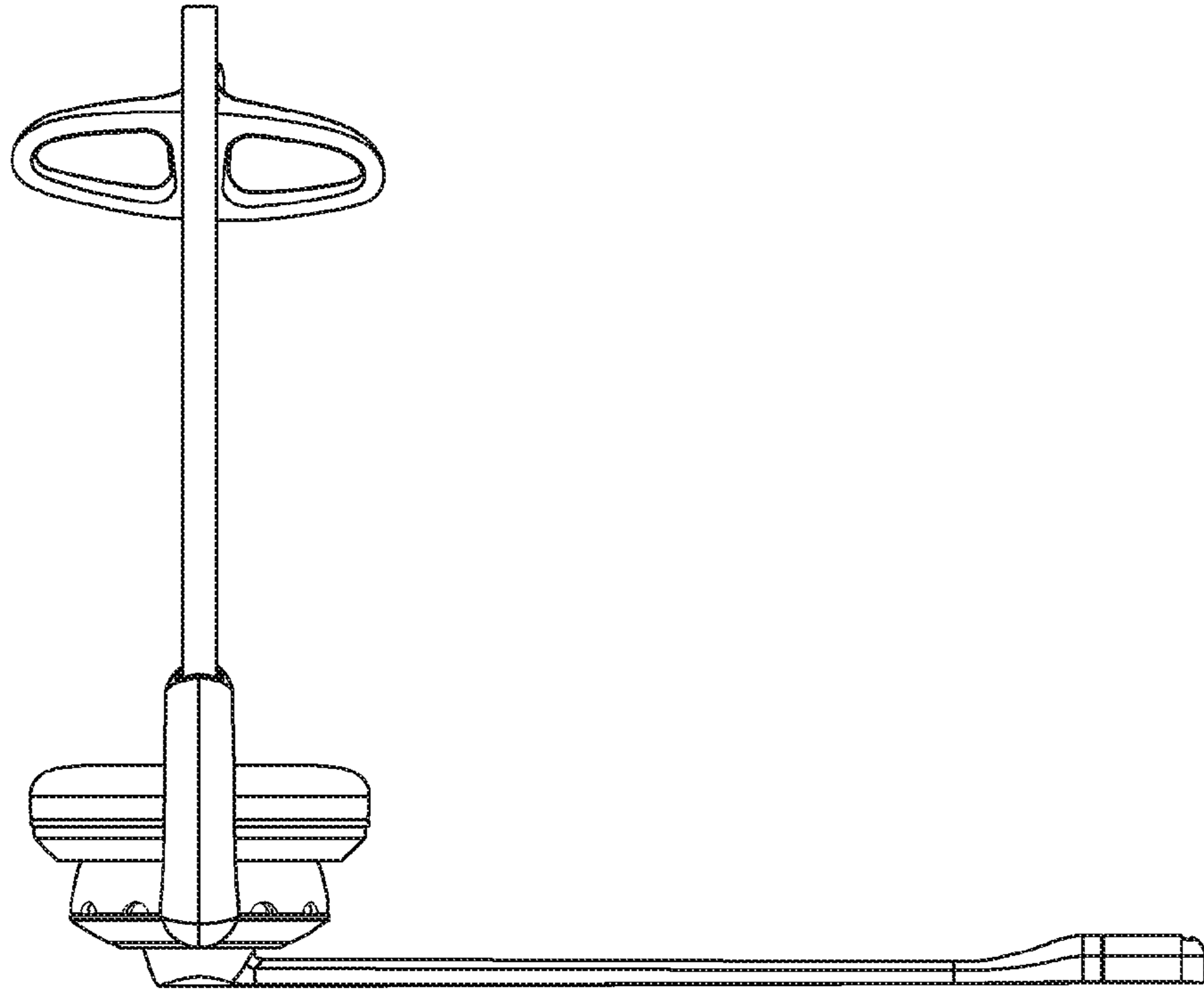


Fig. 4

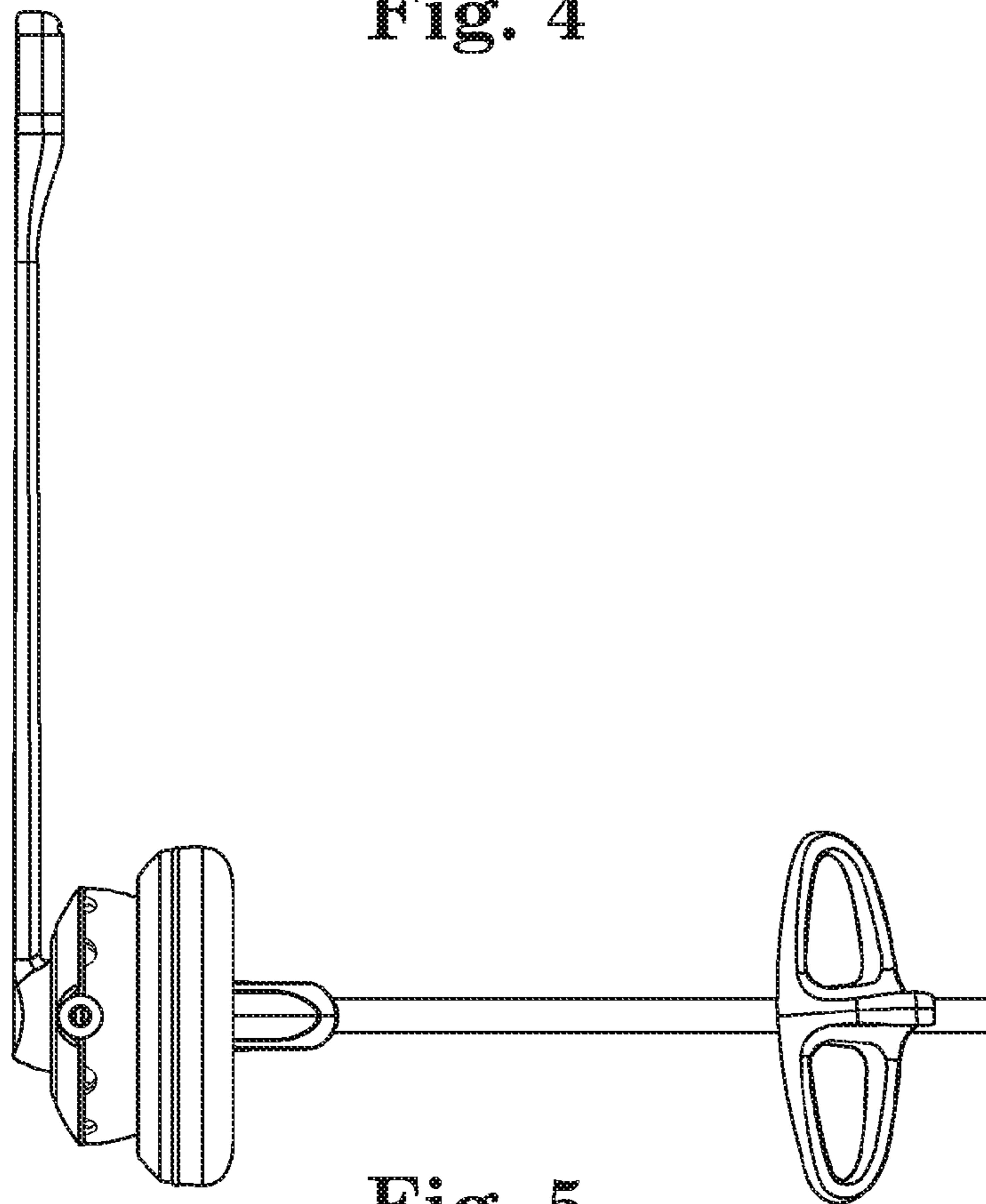


Fig. 5

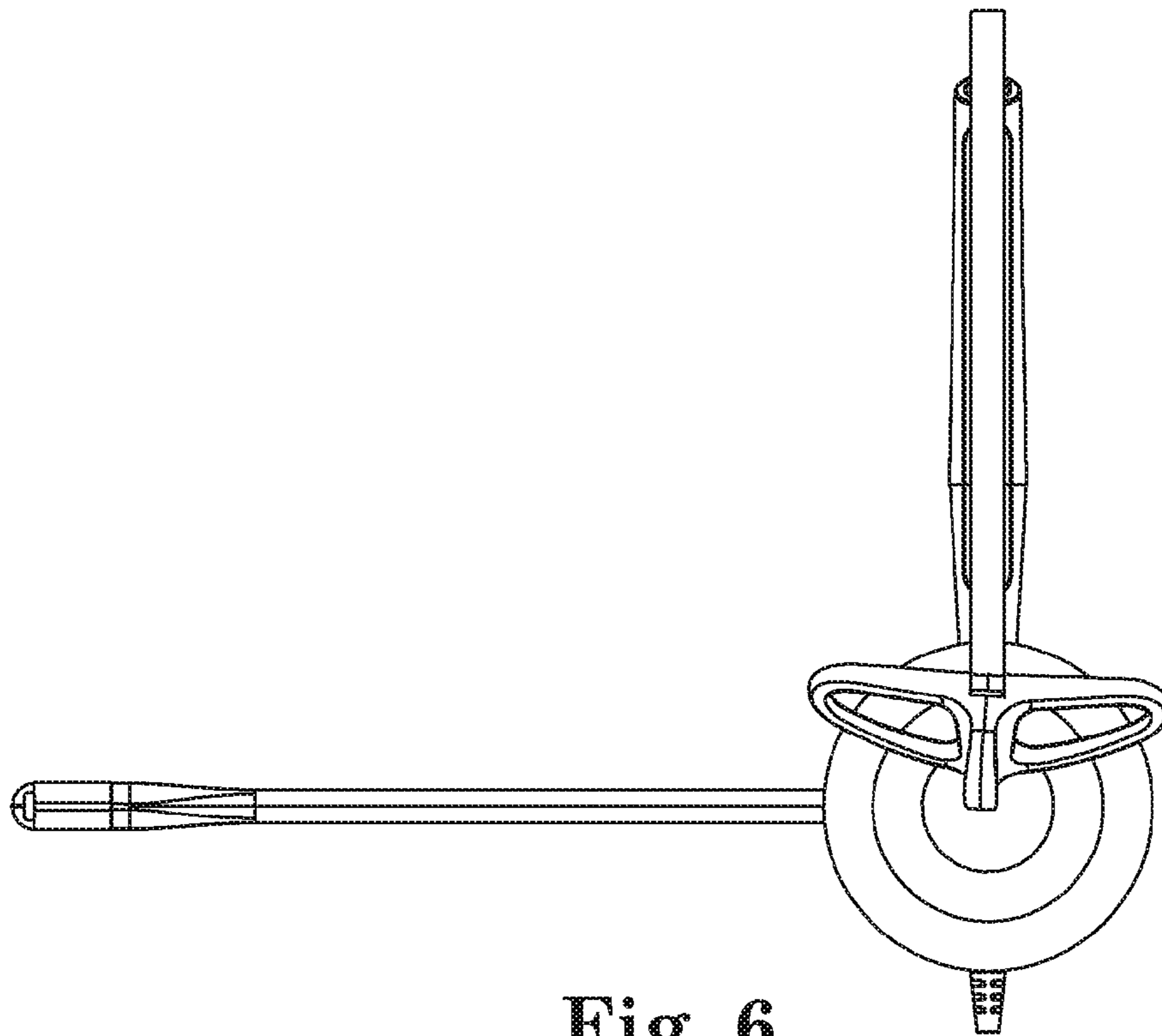


Fig. 6

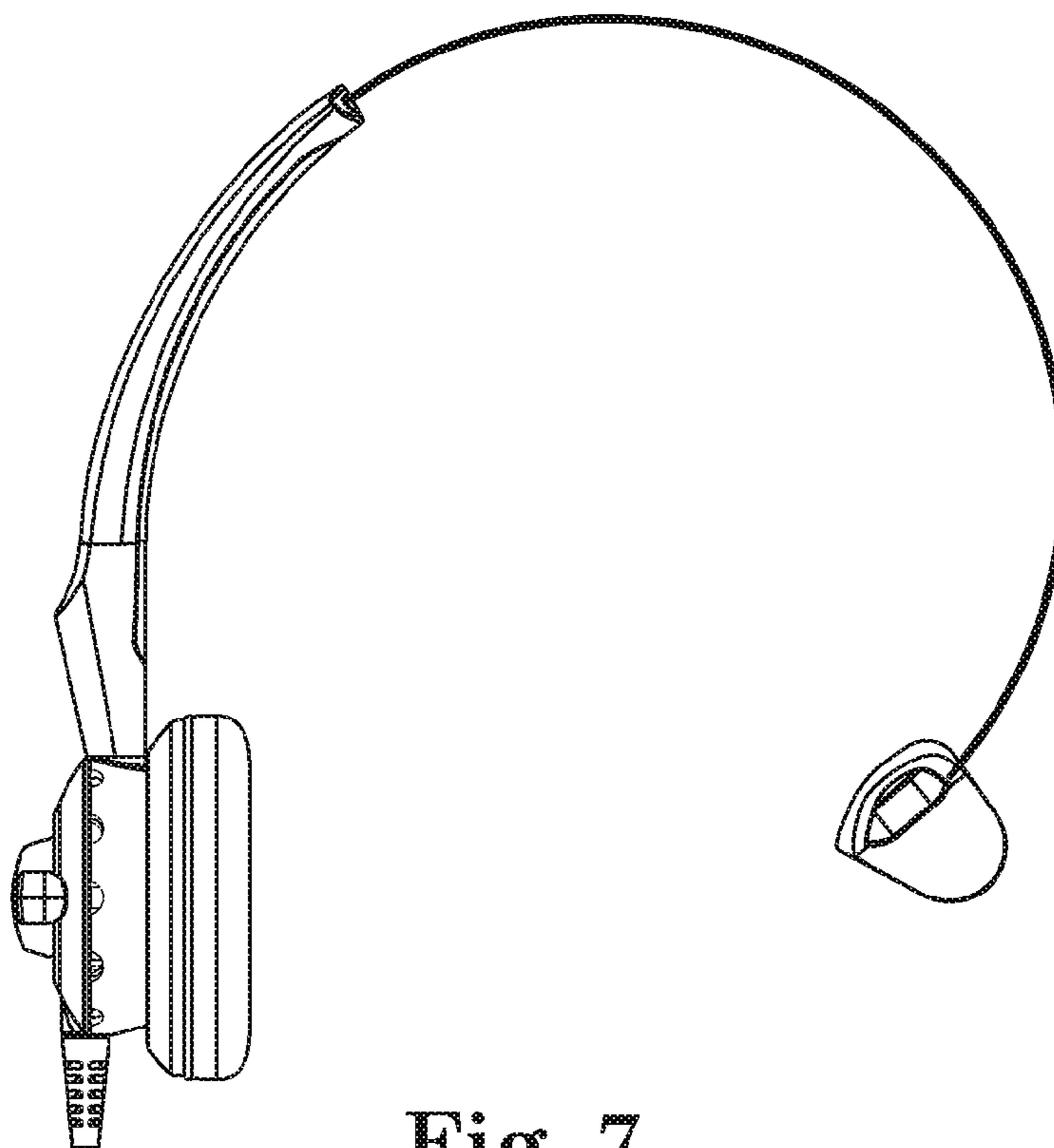


Fig. 7

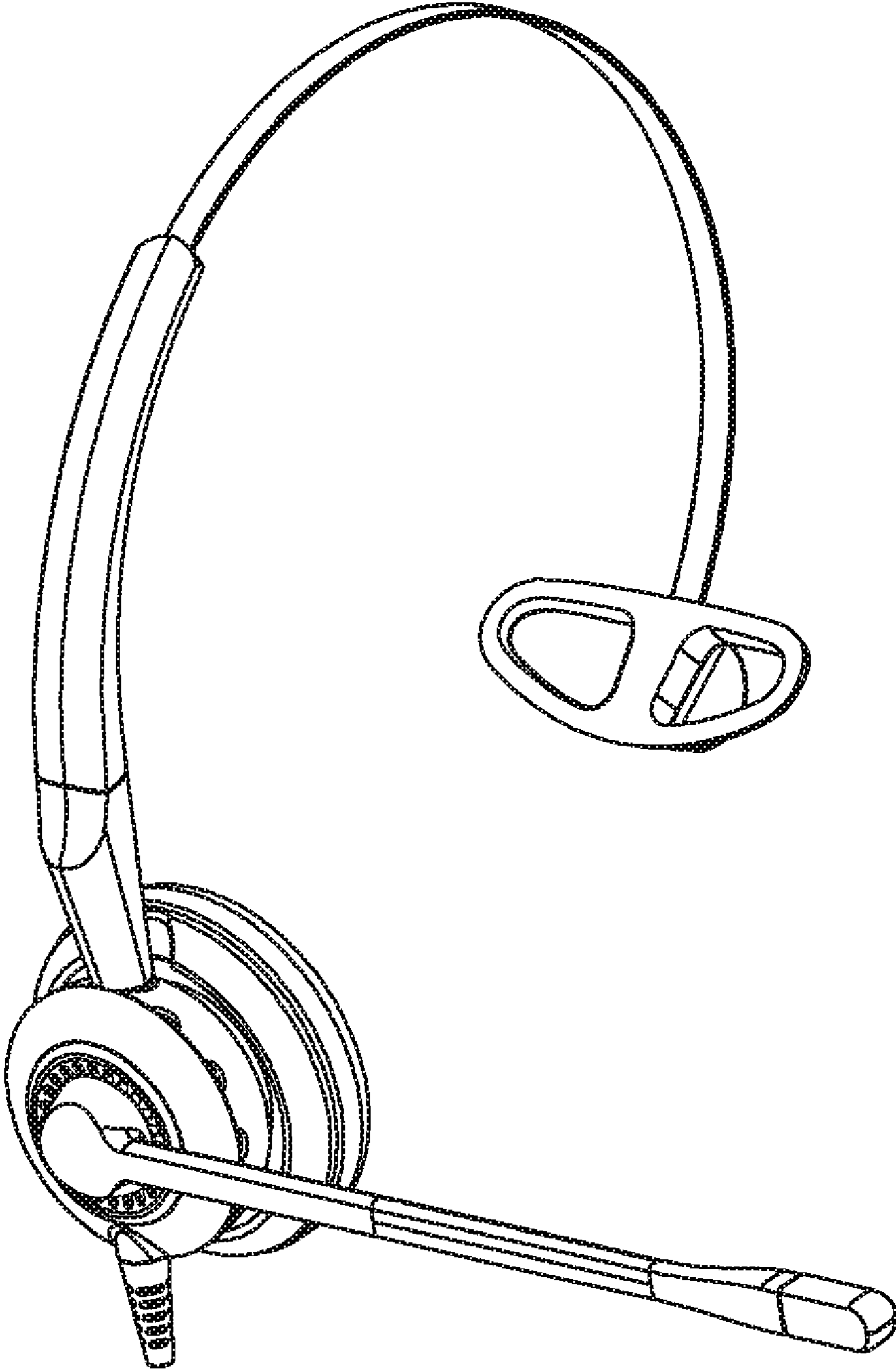


Fig. 8

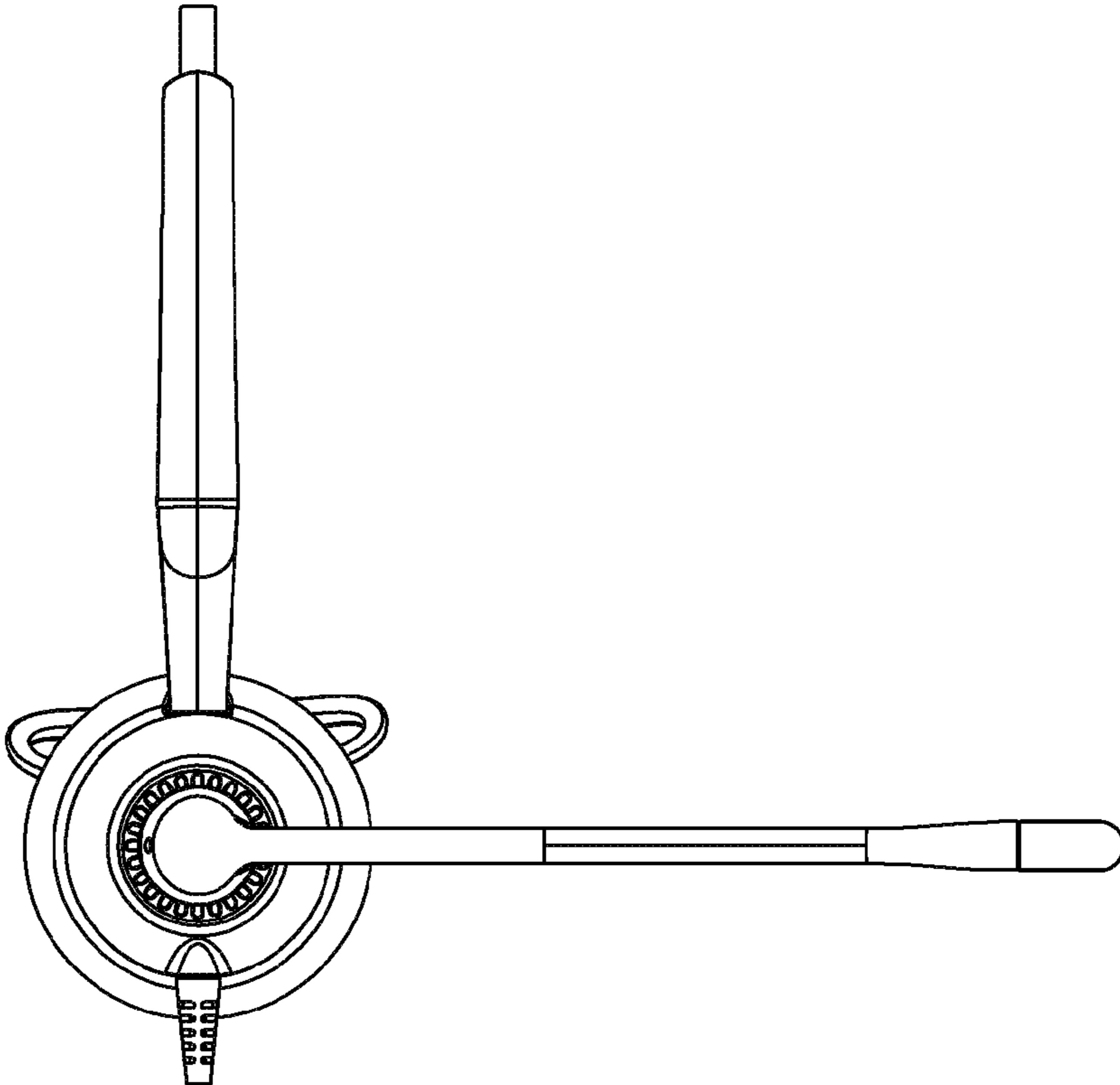


Fig. 9

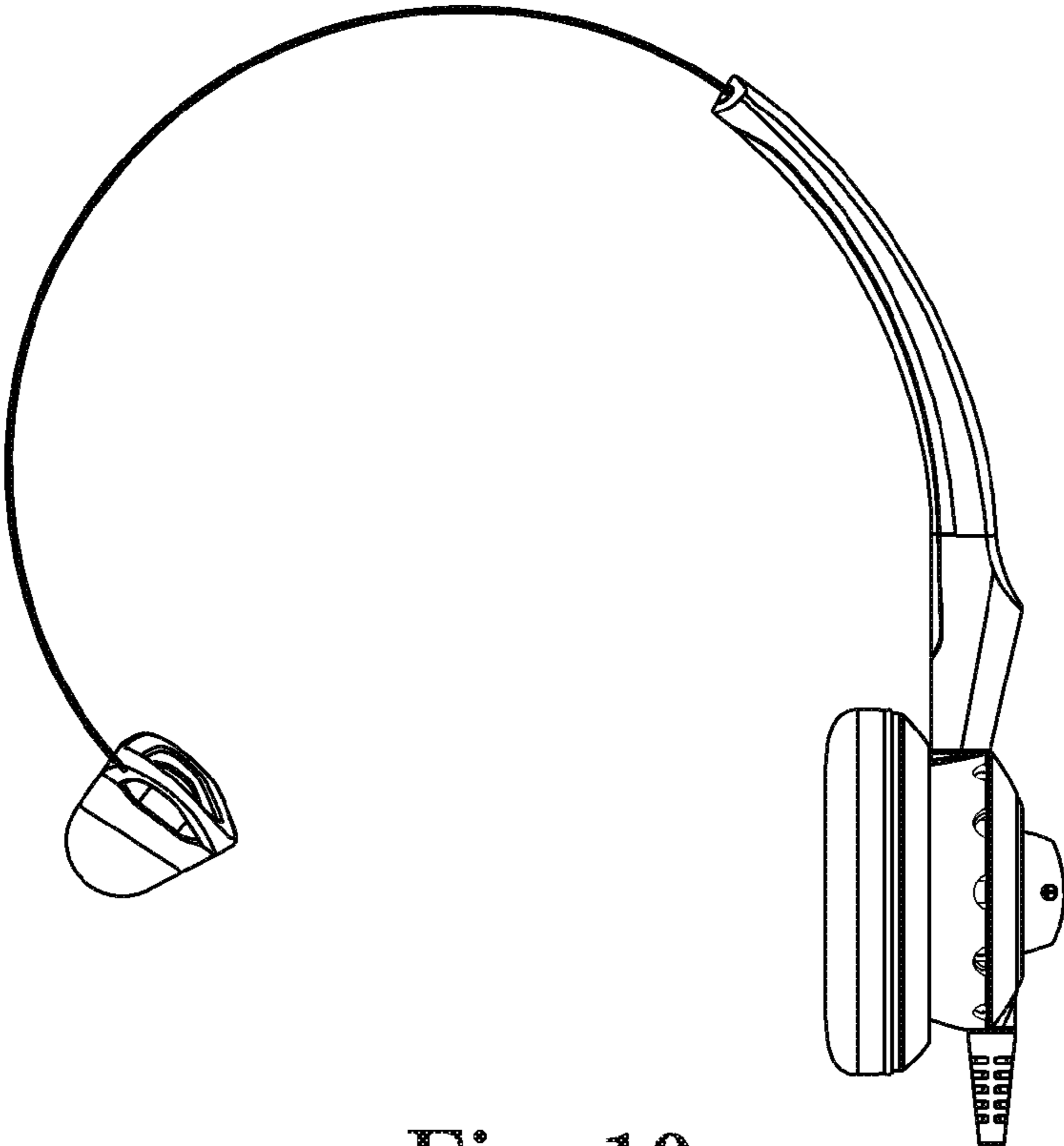


Fig. 10

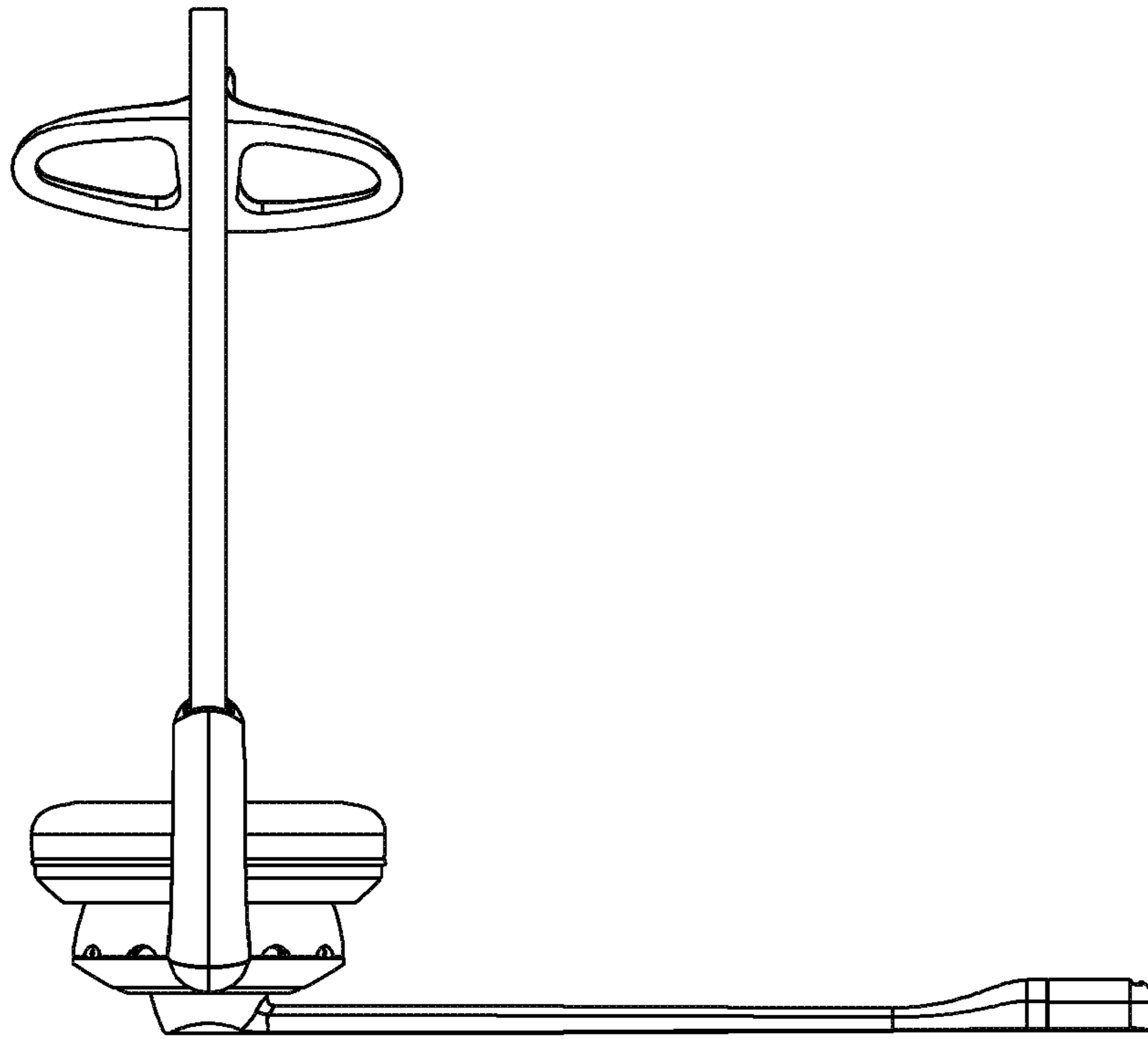


Fig. 11

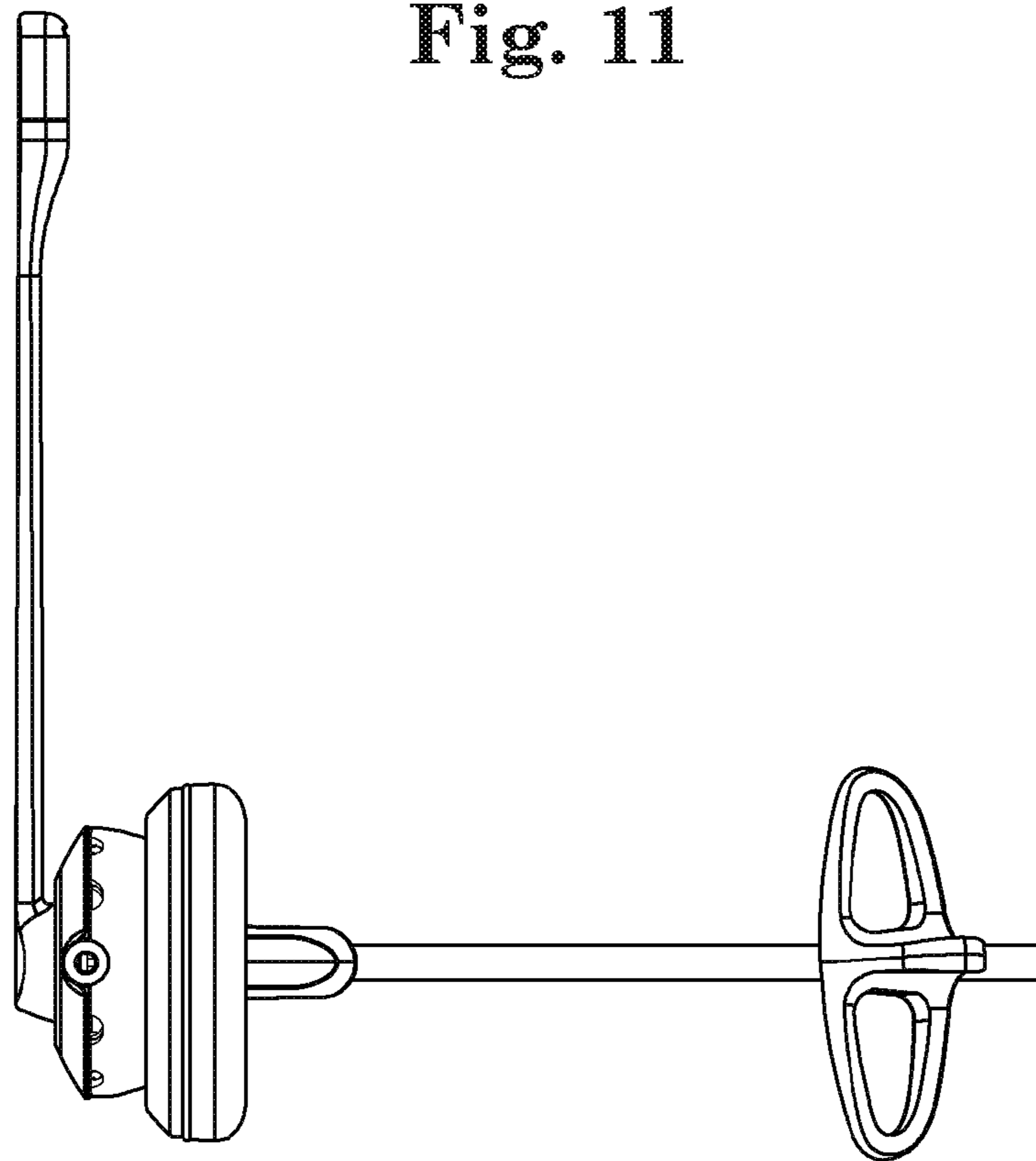


Fig. 12



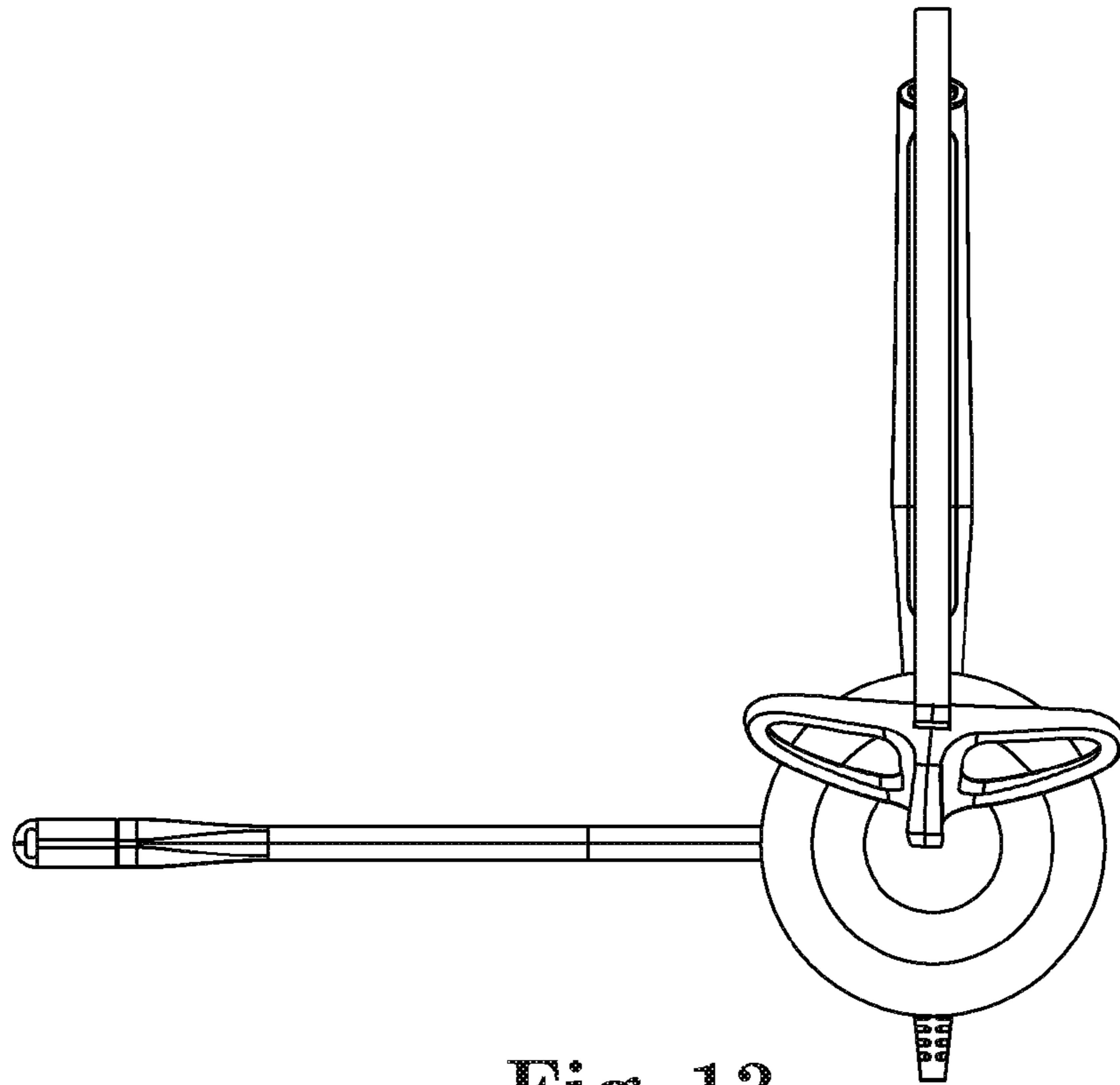


Fig. 13

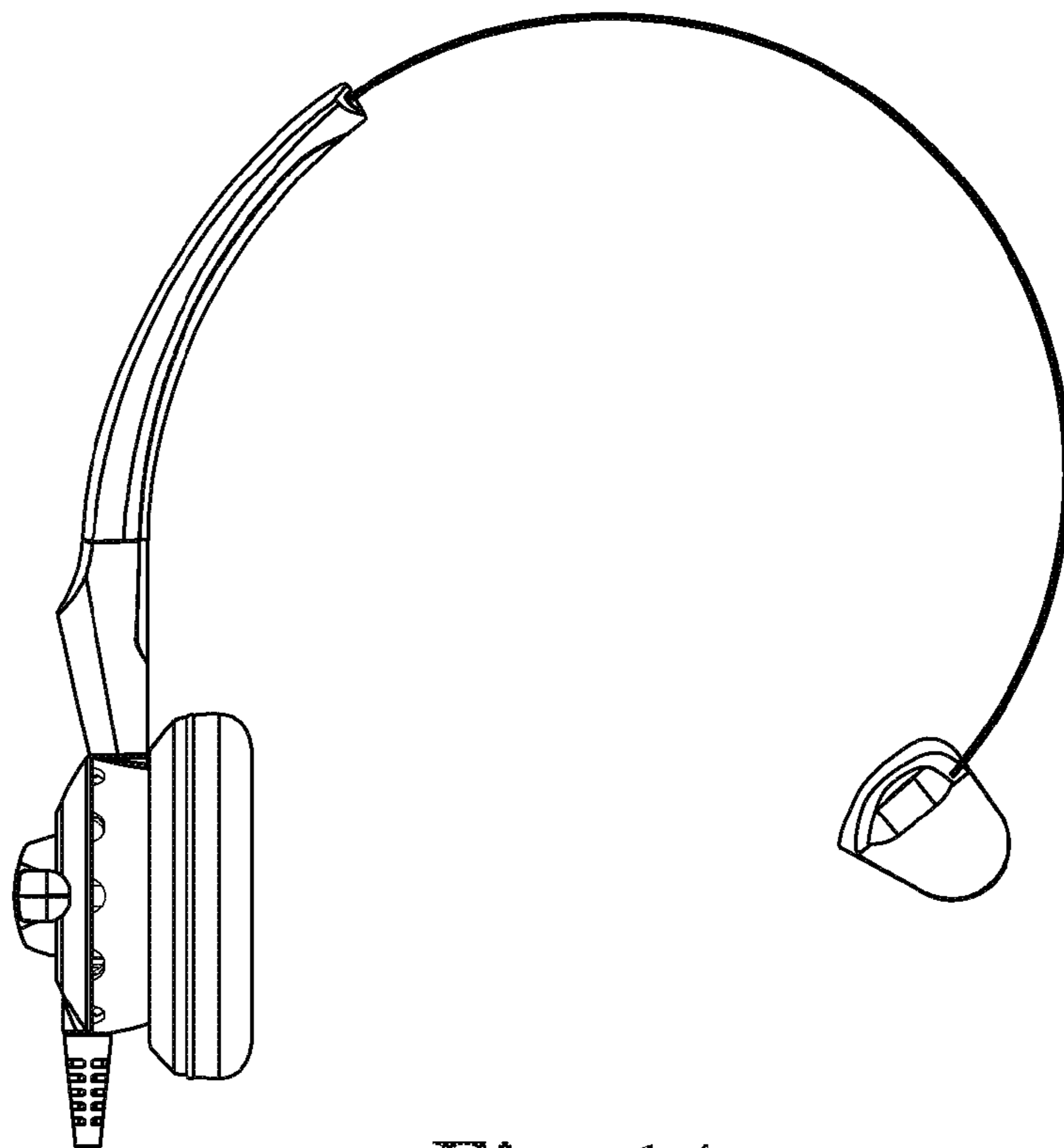


Fig. 14