



US00D628175S

(12) **United States Design Patent**
Desai et al.

(10) **Patent No.:** **US D628,175 S**
(45) **Date of Patent:** **** Nov. 30, 2010**

(54) **MOUNTED VIDEO UNIT**

(75) Inventors: **Ashok T. Desai**, Fremont, CA (US);
Santiago Prieto, San Francisco, CA
(US); **Juli A. Satoh**, Milpitas, CA (US);
John P. Stoddard, Boulder Creek, CA
(US); **Richard T. Wales**, Sunnyvale, CA
(US); **Martin Zabaleta**, Menlo Park, CA
(US)

(73) Assignee: **Cisco Technology, Inc.**, San Jose, CA
(US)

(**) Term: **14 Years**

(21) Appl. No.: **29/358,006**

(22) Filed: **Mar. 21, 2010**

(51) **LOC (9) Cl.** **14-03**

(52) **U.S. Cl.** **D14/126; D14/129**

(58) **Field of Classification Search** D14/125–134,
D14/239, 371, 136, 374–377, 440, 450, 448,
D14/336, 342; 312/7.2; 348/836, 838, 180,
348/184, 325, 739; 341/12; 248/917–924,
248/465; 345/104, 133, 156, 168, 87, 173;
720/605, 669, 600, 655; 369/99, 197; 455/344,
455/347; D21/329, 515, 577, 622, 333, 433,
D21/448, 452, 450, 331; D6/477, 479, 300;
273/148 B; 446/484, 175, 356; D10/15,
D10/26

See application file for complete search history.

(56) **References Cited**

U.S. PATENT DOCUMENTS

D533,525 S * 12/2006 Arie D14/129
D533,852 S * 12/2006 Ma D14/126
D534,511 S * 1/2007 Maeda et al. D14/129
D535,954 S * 1/2007 Hwang et al. D14/126
D539,243 S * 3/2007 Chiu et al. D14/126

D541,773 S * 5/2007 Chong et al. D14/126
D542,247 S * 5/2007 Kinoshita et al. D14/129
D550,635 S * 9/2007 DeMaio et al. D14/126
D551,184 S * 9/2007 Kanou et al. D14/126
D555,610 S * 11/2007 Yang et al. D14/126
D567,202 S * 4/2008 Rieu Piquet D14/126
D578,496 S * 10/2008 Leonard D14/126
D588,560 S * 3/2009 Mellingen et al. D14/126
D602,453 S * 10/2009 Ding et al. D14/126
D610,560 S * 2/2010 Chen D14/126
D615,514 S * 5/2010 Mellingen et al. D14/126

OTHER PUBLICATIONS

U.S. Appl. No. 29/358,007, filed Mar. 21, 2010, entitled “Video Unit With Integrated Features,” Inventor(s): Kyle A. Buzzard et al.
U.S. Appl. No. 29/358,008, filed Mar. 21, 2010, entitled “Video Unit With Integrated Features,” Inventor(s): Kyle A. Buzzard et al.
U.S. Appl. No. 29/358,009, filed Mar. 21, 2010, entitled “Free-Standing Video Unit,” Inventor(s): Ashok T. Desai et al.

* cited by examiner

Primary Examiner—Raphael Barkai

(74) *Attorney, Agent, or Firm*—Patent Capital Group

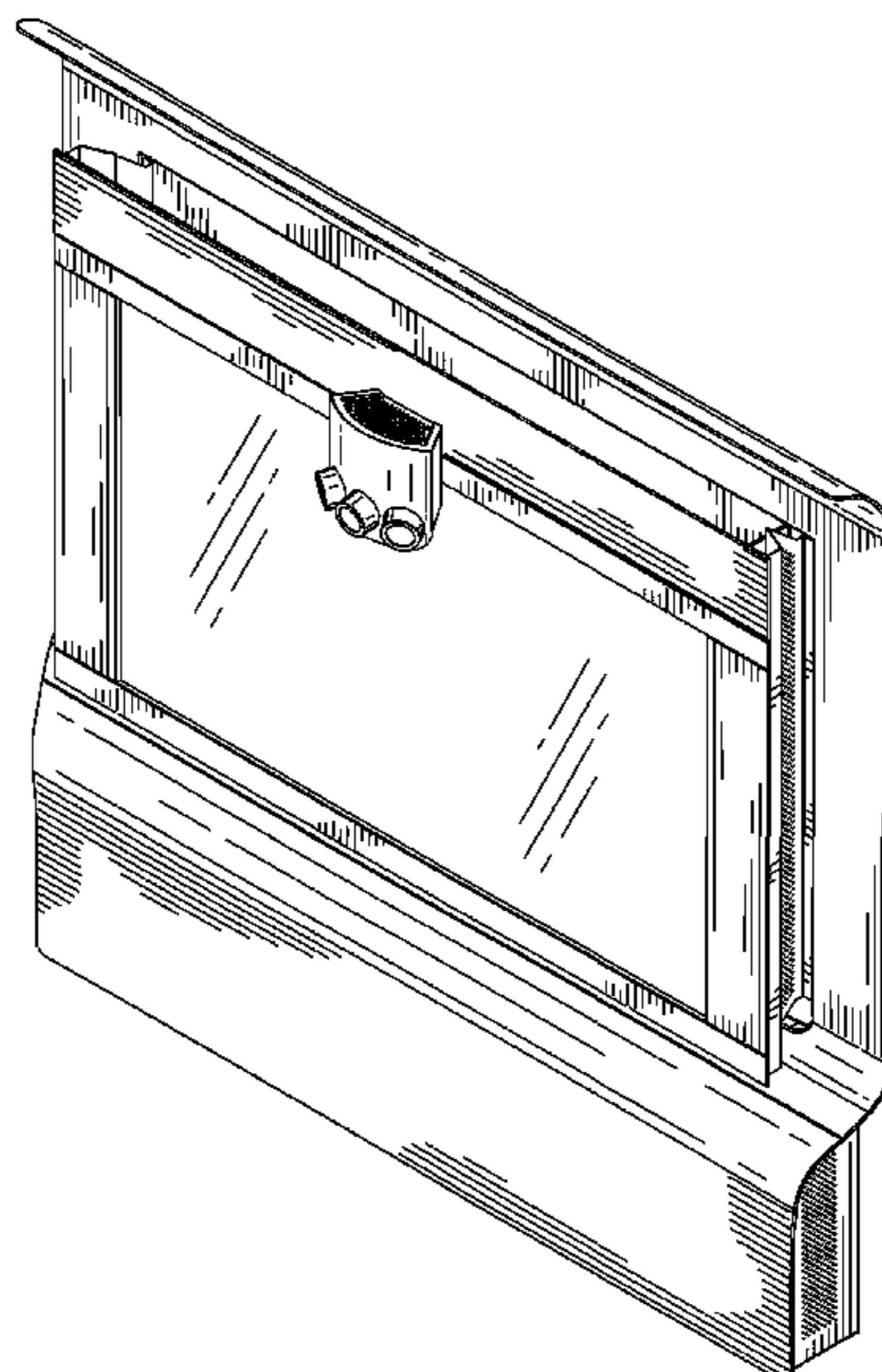
(57) **CLAIM**

The ornamental design for a mounted video unit, as shown and described.

DESCRIPTION

FIG. 1 is a top perspective view showing a mounted video unit design showing our new design;
FIG. 2 is a front view thereof;
FIG. 3 is a back view thereof;
FIG. 4 is a side view thereof;
FIG. 5 is another side view thereof;
FIG. 6 is a top view thereof; and,
FIG. 7 is a bottom view thereof.

1 Claim, 5 Drawing Sheets



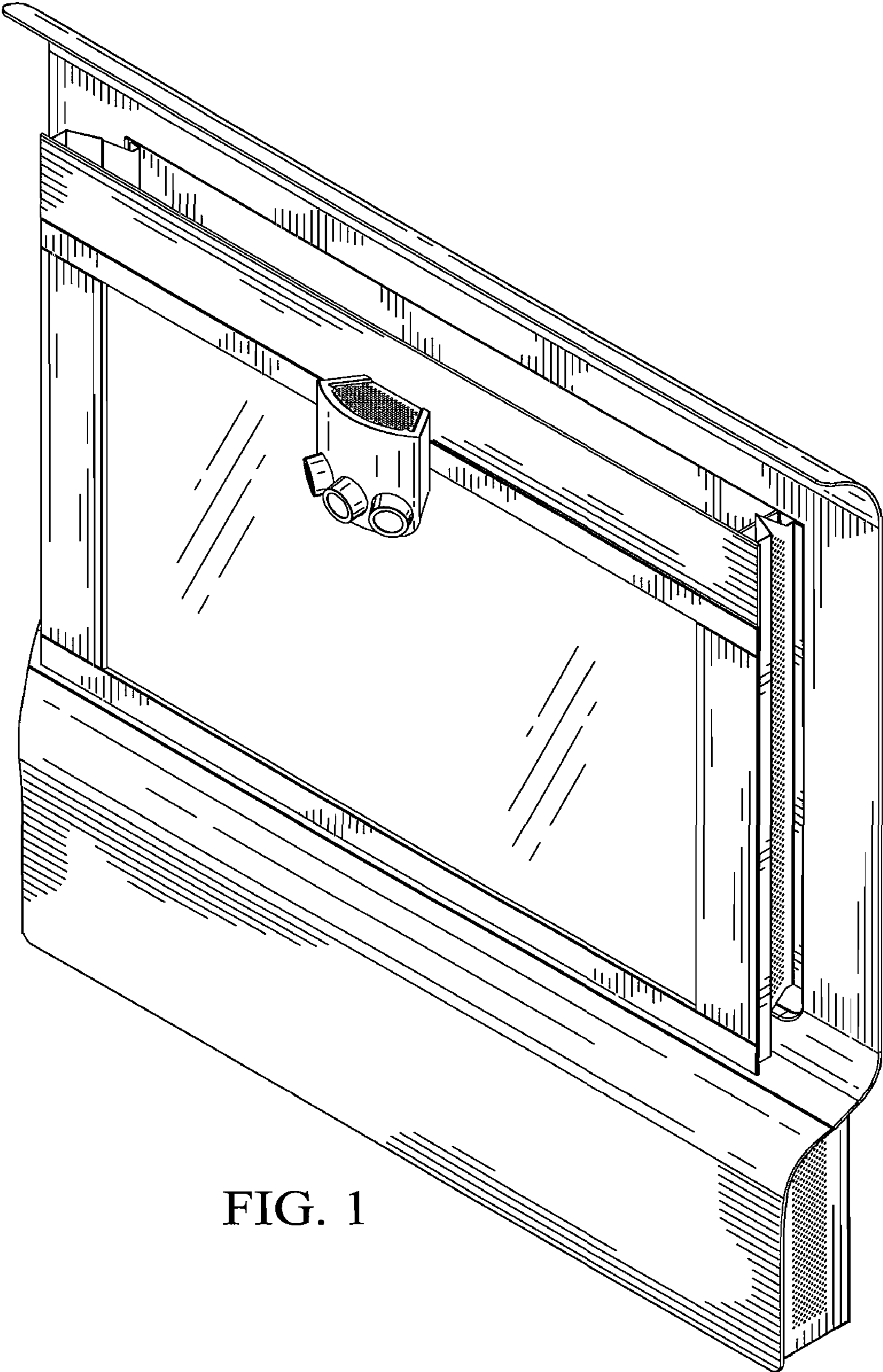


FIG. 1

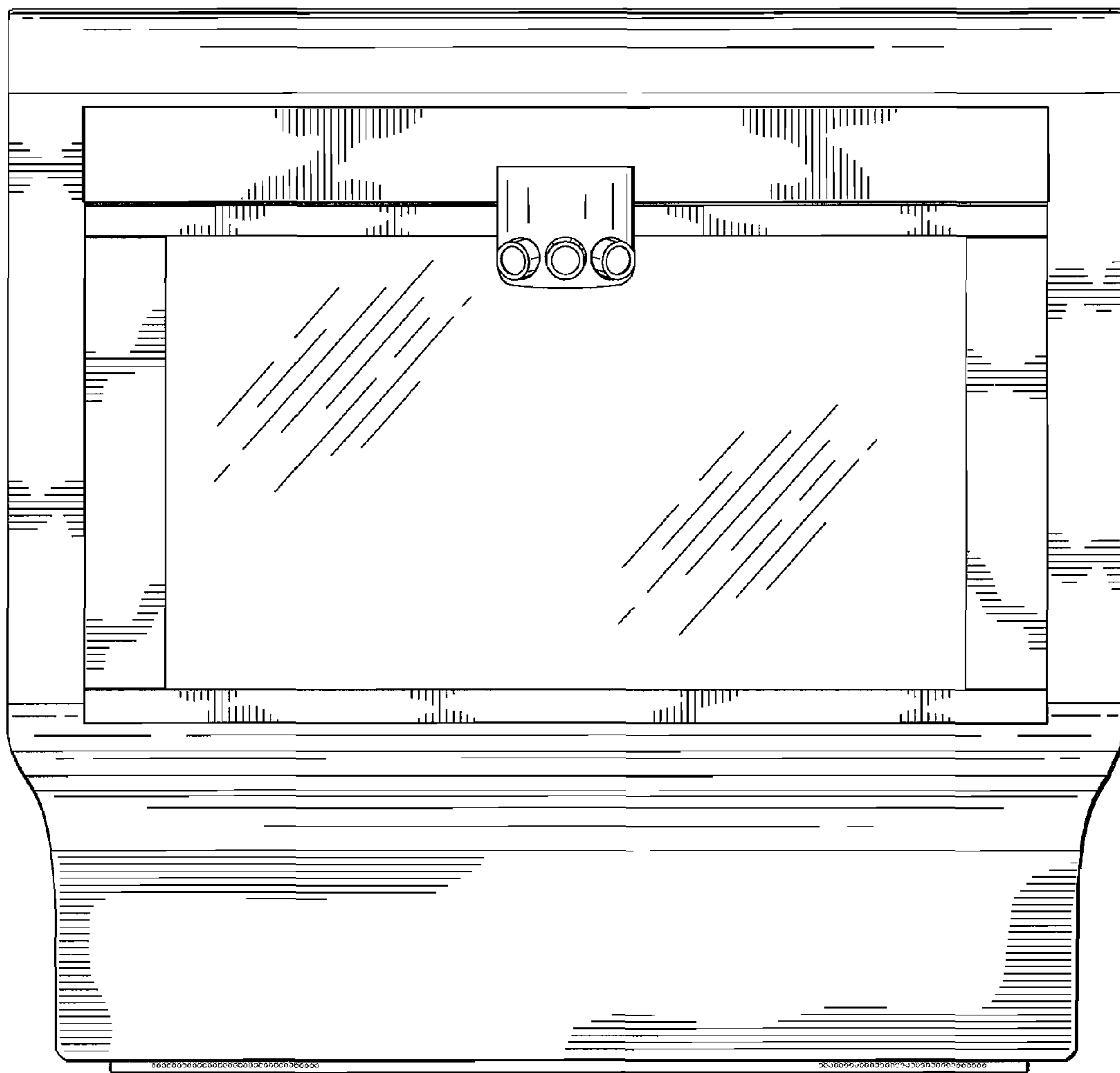
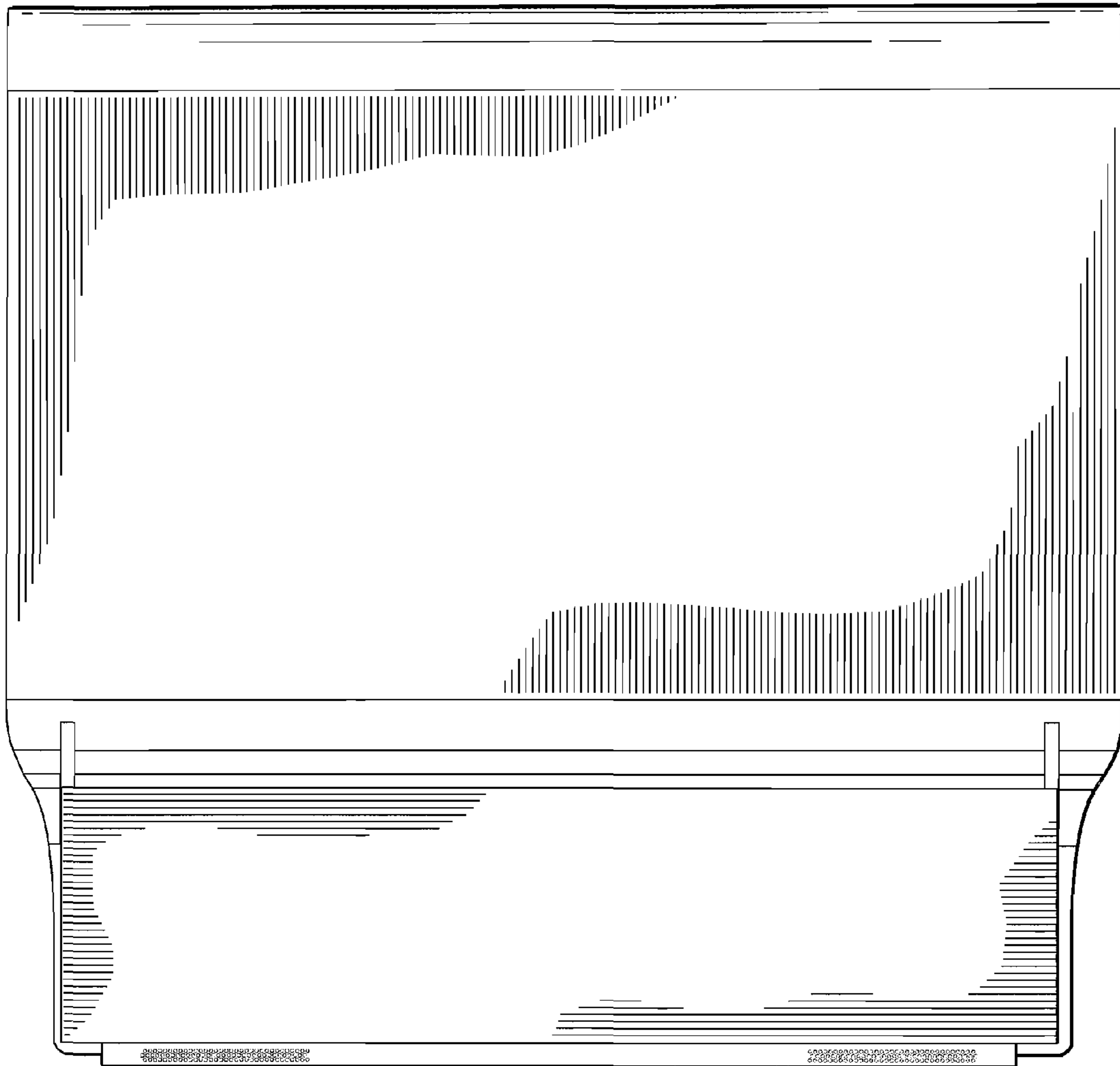


FIG. 2

FIG. 3



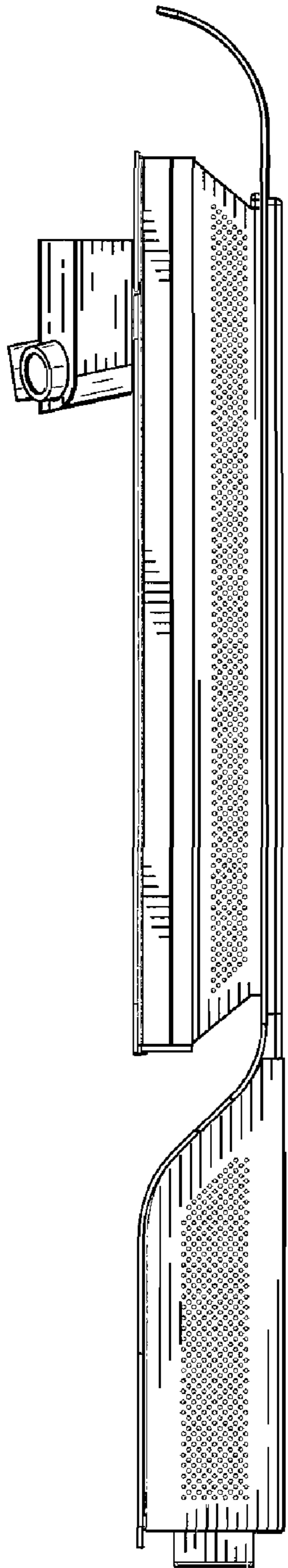


FIG. 4

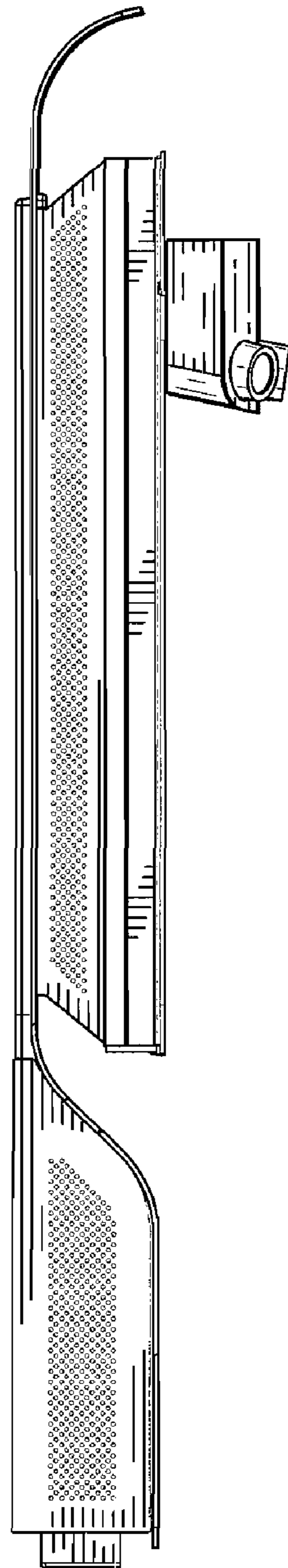


FIG. 5

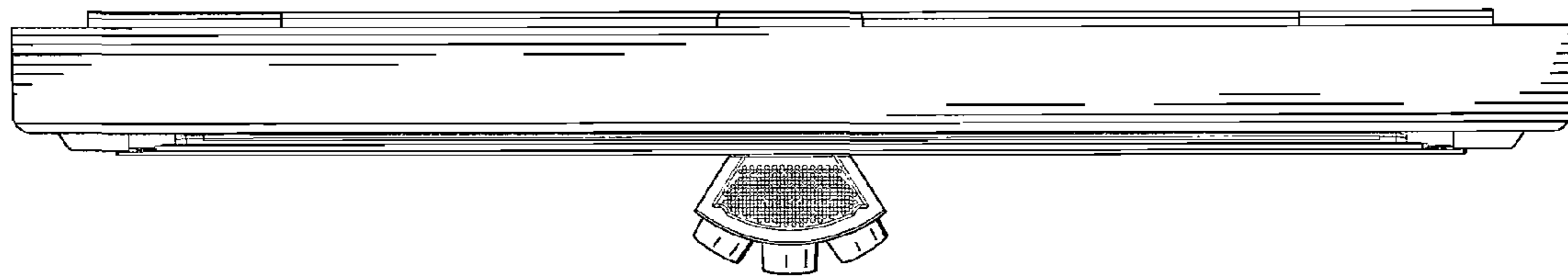


FIG. 6

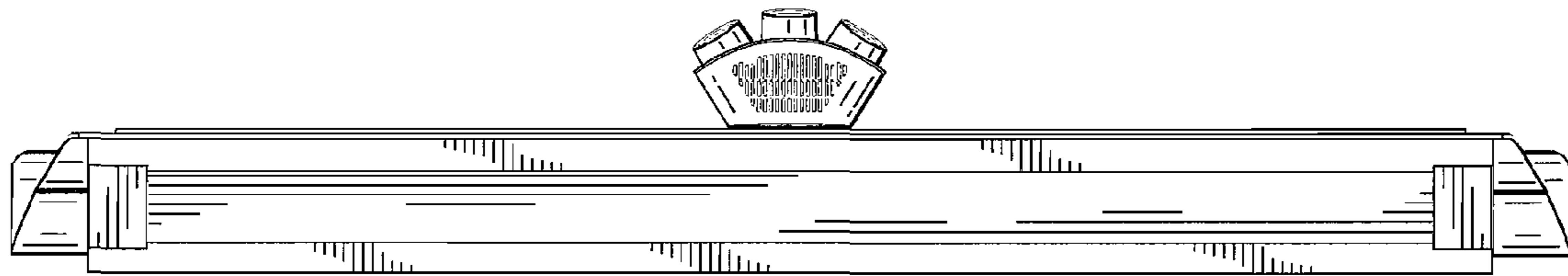


FIG. 7