



US00D628174S

(12) **United States Design Patent**  
**Nagase**

(10) **Patent No.:** **US D628,174 S**

(45) **Date of Patent:** **\*\* Nov. 30, 2010**

(54) **TELEVISION SET**

(75) Inventor: **Koji Nagase**, Hachioji (JP)

(73) Assignee: **Kabushiki Kaisha Toshiba**, Tokyo (JP)

(\*\*) Term: **14 Years**

(21) Appl. No.: **29/356,104**

(22) Filed: **Feb. 19, 2010**

(30) **Foreign Application Priority Data**

Dec. 21, 2009 (JP) ..... 2009-029564

(51) **LOC (9) Cl.** ..... **14-03**

(52) **U.S. Cl.** ..... **D14/126**

(58) **Field of Classification Search** ..... D14/125-134,  
D14/239, 371, 136, 374-377, 440, 450, 448,  
D14/336, 342; 312/7.2; 348/836, 838, 180,  
348/184, 325, 739; 341/12; 248/917-924,  
248/465; 345/104, 133, 156, 168, 87, 173;  
720/605, 669, 600, 655; 369/99, 197; D21/329,  
D21/515, 577, 622, 333, 433, 448, 452, 450,  
D21/331; D6/477, 479, 300; 273/148 B;  
446/484, 175, 356; D10/15, 26

See application file for complete search history.

(56) **References Cited**

**U.S. PATENT DOCUMENTS**

D546,299 S \* 7/2007 Honda et al. .... D14/126  
D576,580 S \* 9/2008 Olivet ..... D14/126  
D584,706 S \* 1/2009 Yoshimura et al. .... D14/126

D589,477 S \* 3/2009 Quaglio ..... D14/126  
D597,978 S \* 8/2009 Won et al. .... D14/126  
D605,146 S \* 12/2009 Kim et al. .... D14/126  
D609,657 S \* 2/2010 Ju et al. .... D14/126

**FOREIGN PATENT DOCUMENTS**

CN 300696080D 10/2007  
JP D1240855 5/2005  
JP D1246675 8/2005  
JP D1251843 9/2005  
JP D1318408 1/2008

\* cited by examiner

*Primary Examiner*—Raphael Barkai

(74) *Attorney, Agent, or Firm*—Banner & Witcoff, Ltd.

(57) **CLAIM**

The ornamental design for a television set, as shown and described.

**DESCRIPTION**

FIG. 1 is a front, top and right side perspective view of a television set, showing my new design;

FIG. 2 is a rear, top and left side perspective view thereof;

FIG. 3 is a front elevational view thereof;

FIG. 4 is a rear elevational view thereof;

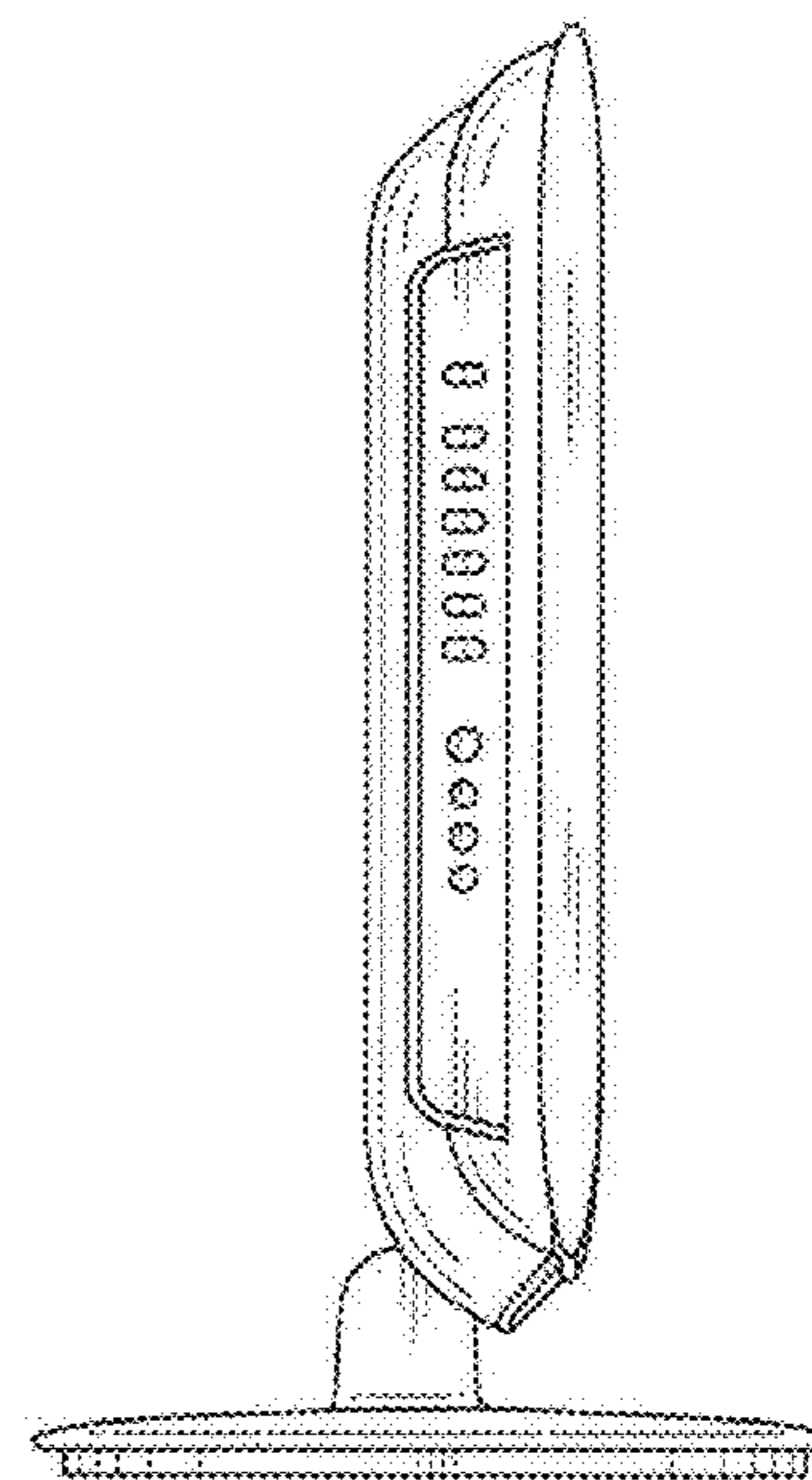
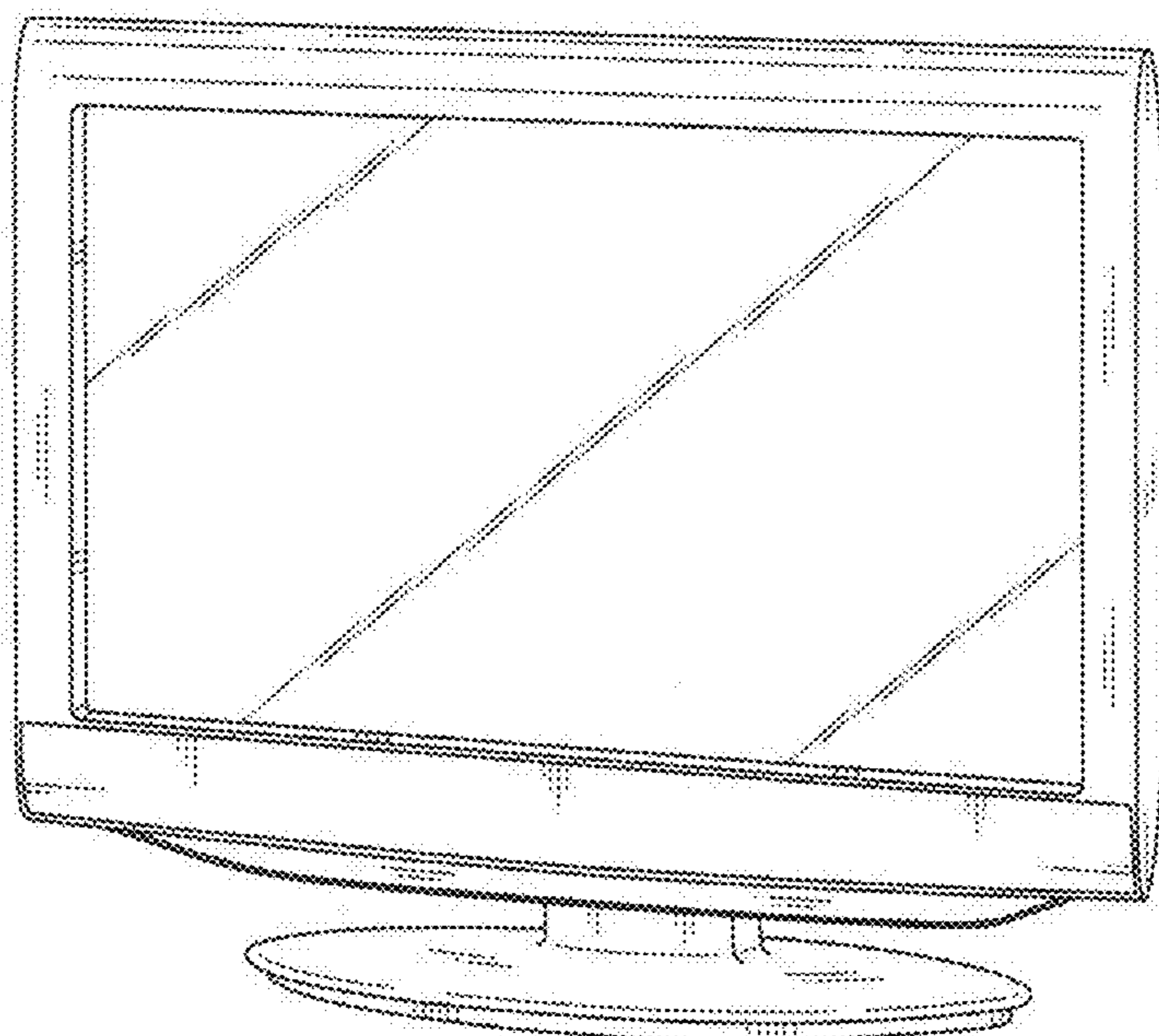
FIG. 5 is a top plan view thereof;

FIG. 6 is a bottom plan view thereof;

FIG. 7 is a right side elevational view thereof; and,

FIG. 8 is a left side elevational view thereof.

**1 Claim, 3 Drawing Sheets**



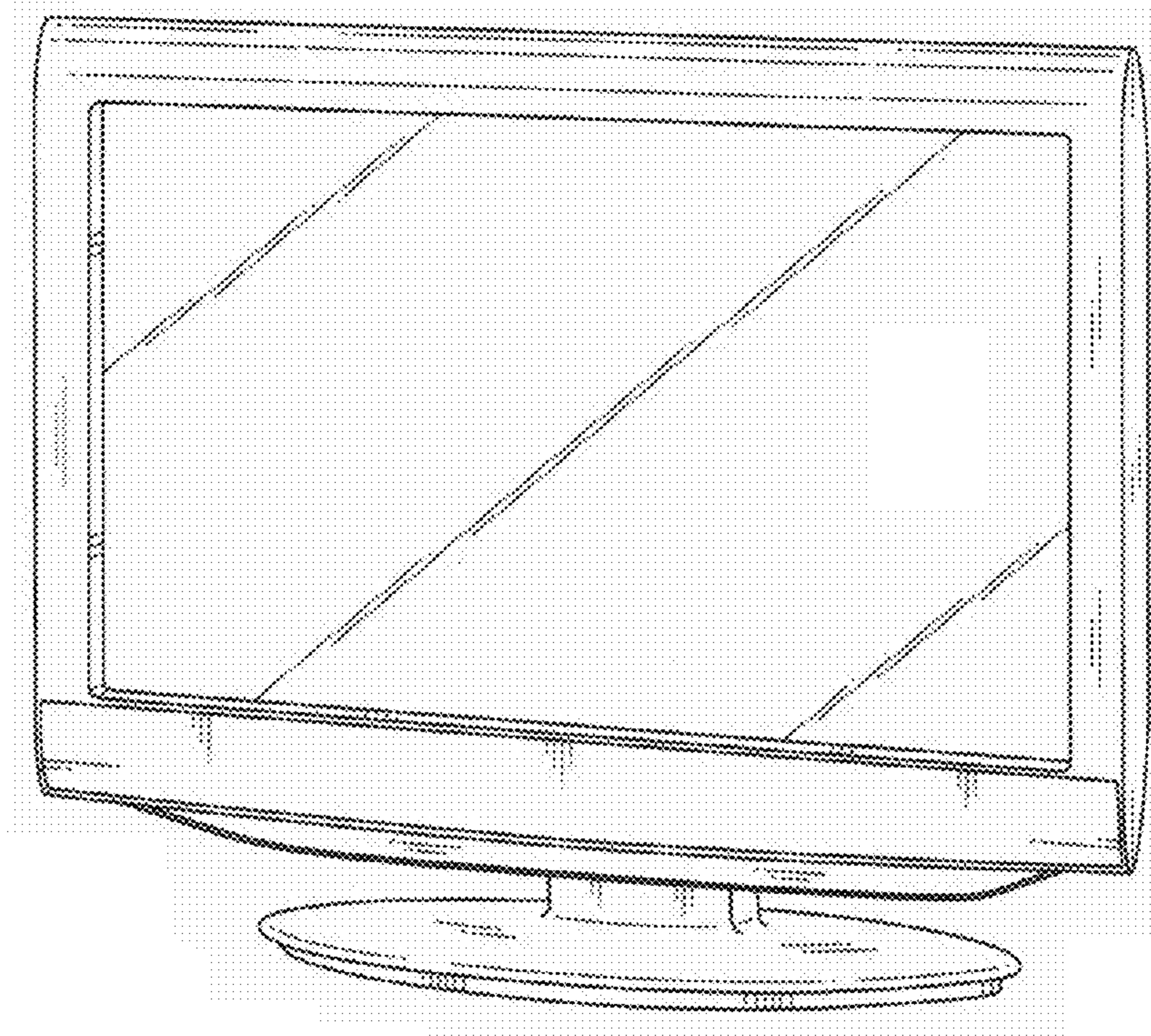


FIG. 1

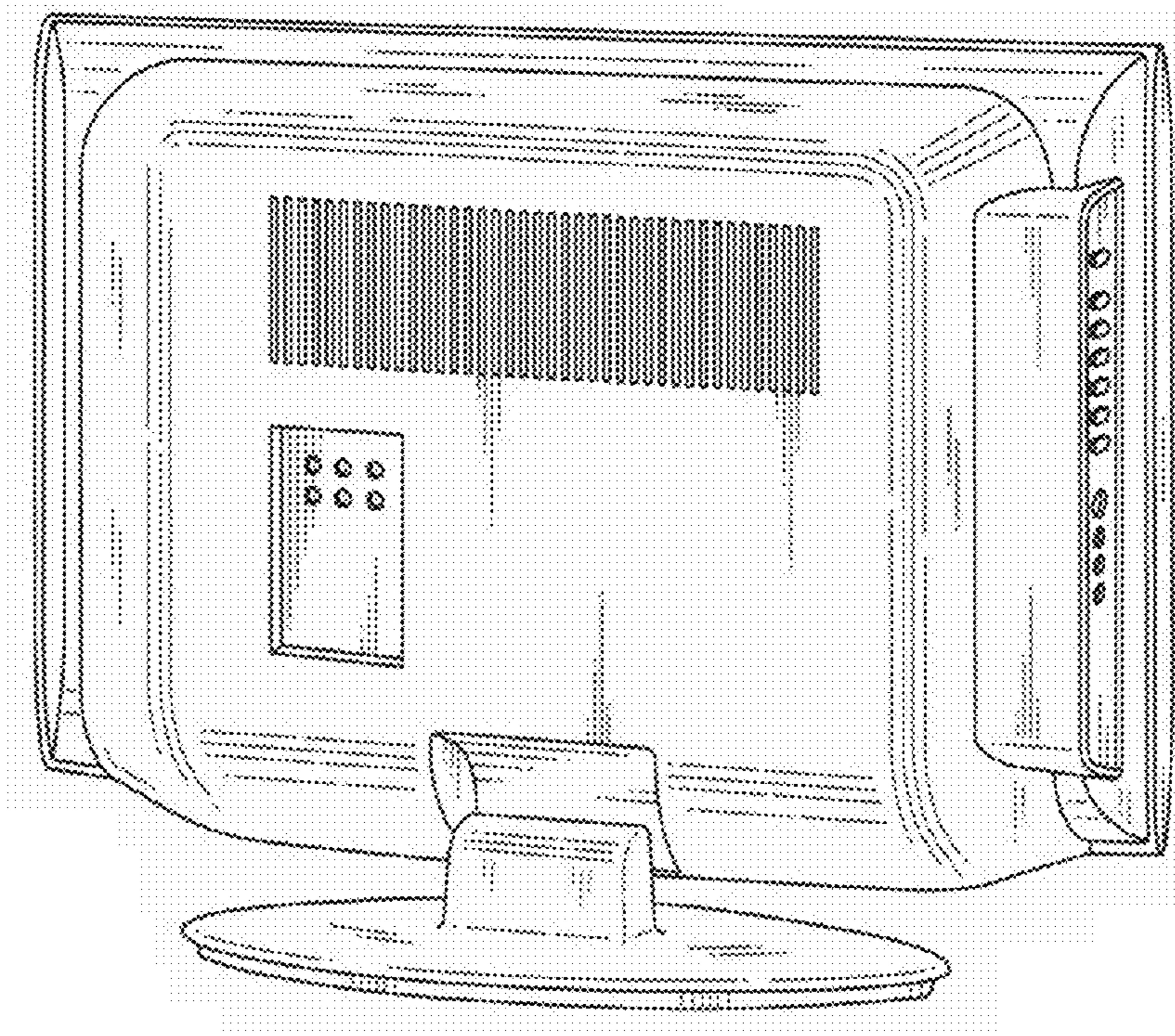


FIG. 2

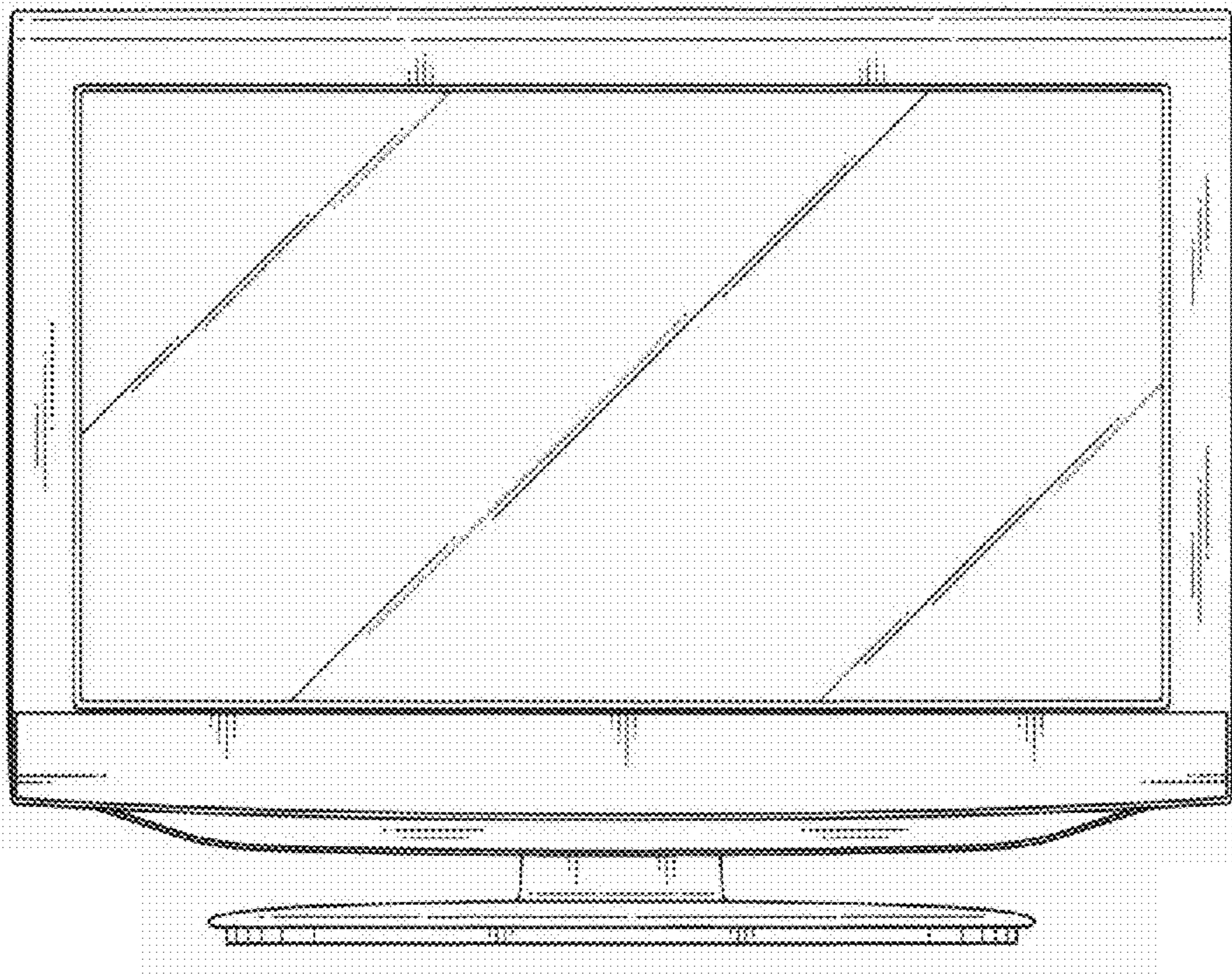


FIG. 3

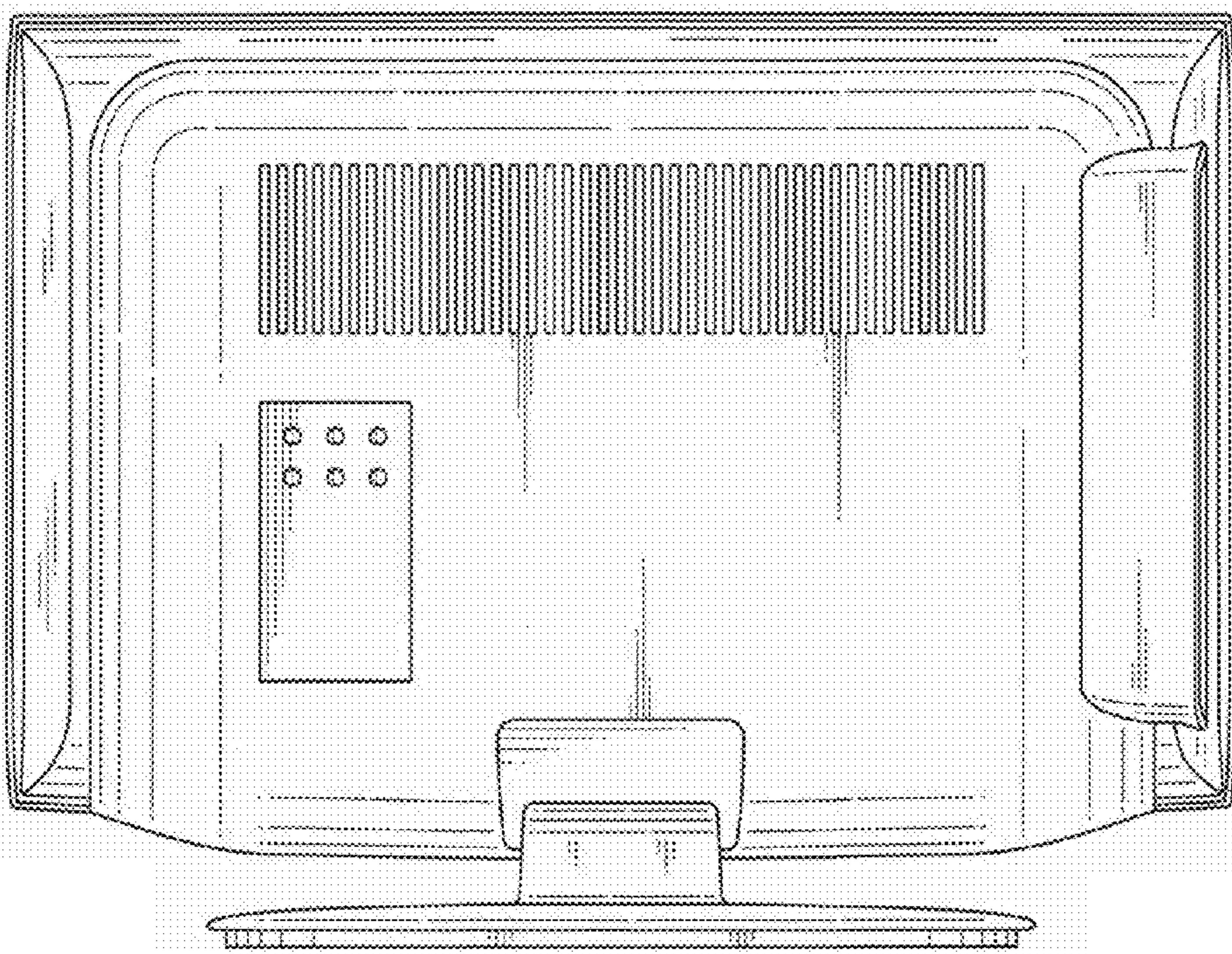


FIG. 4

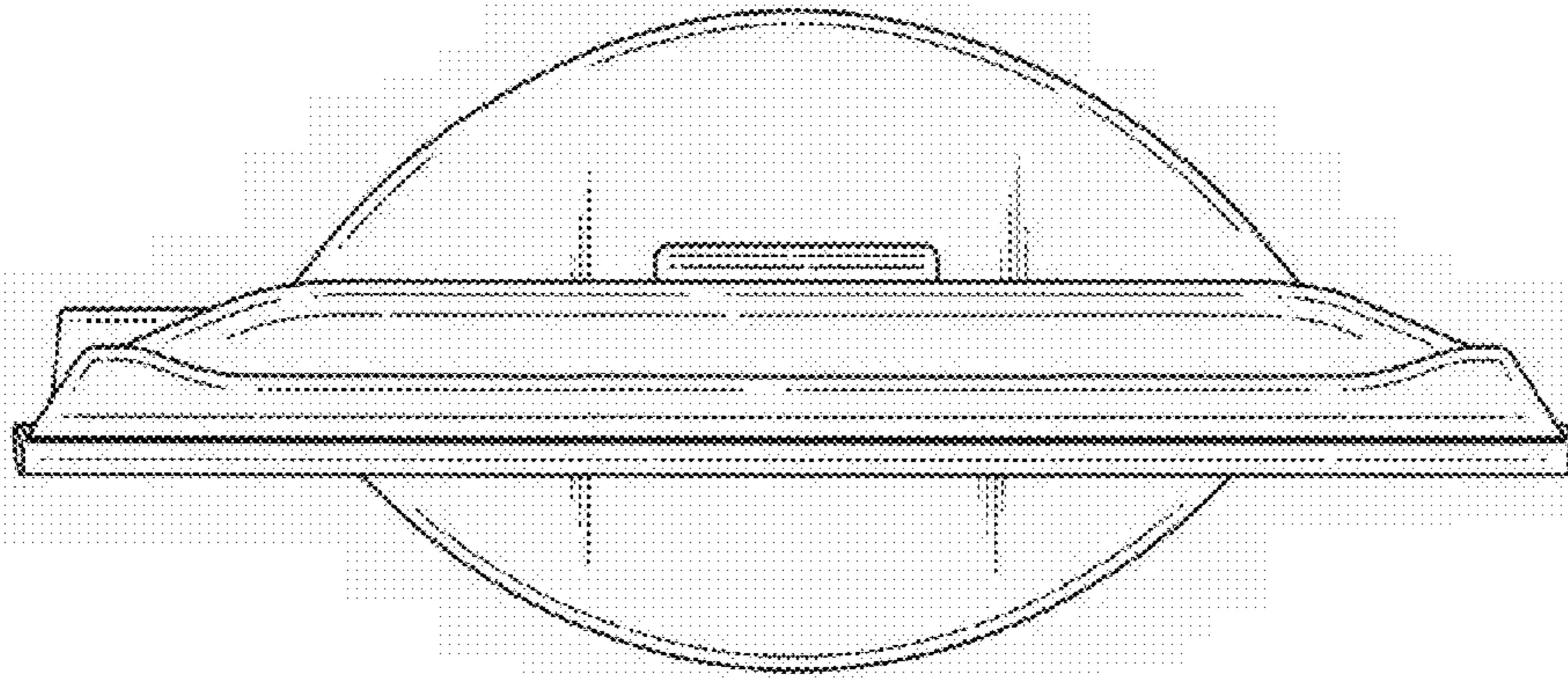


FIG. 5

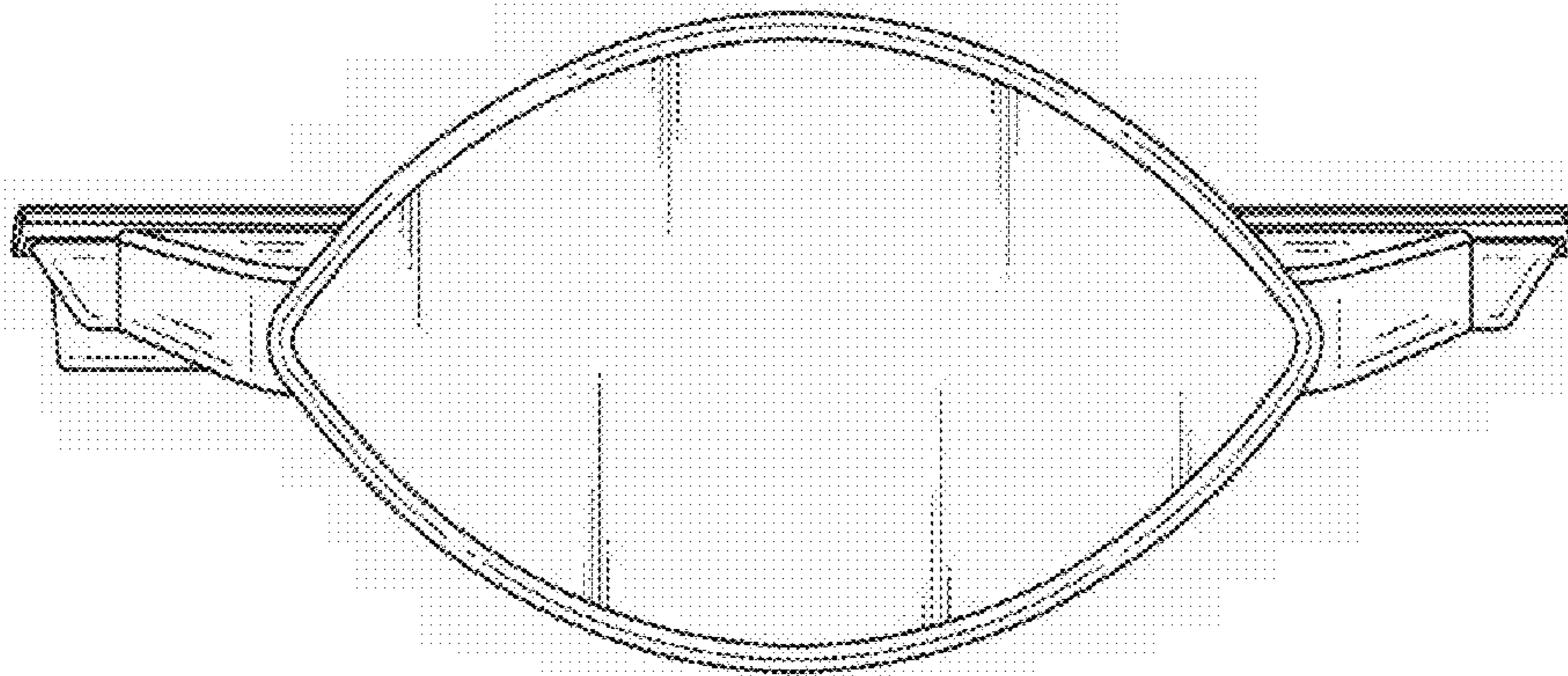


FIG. 6

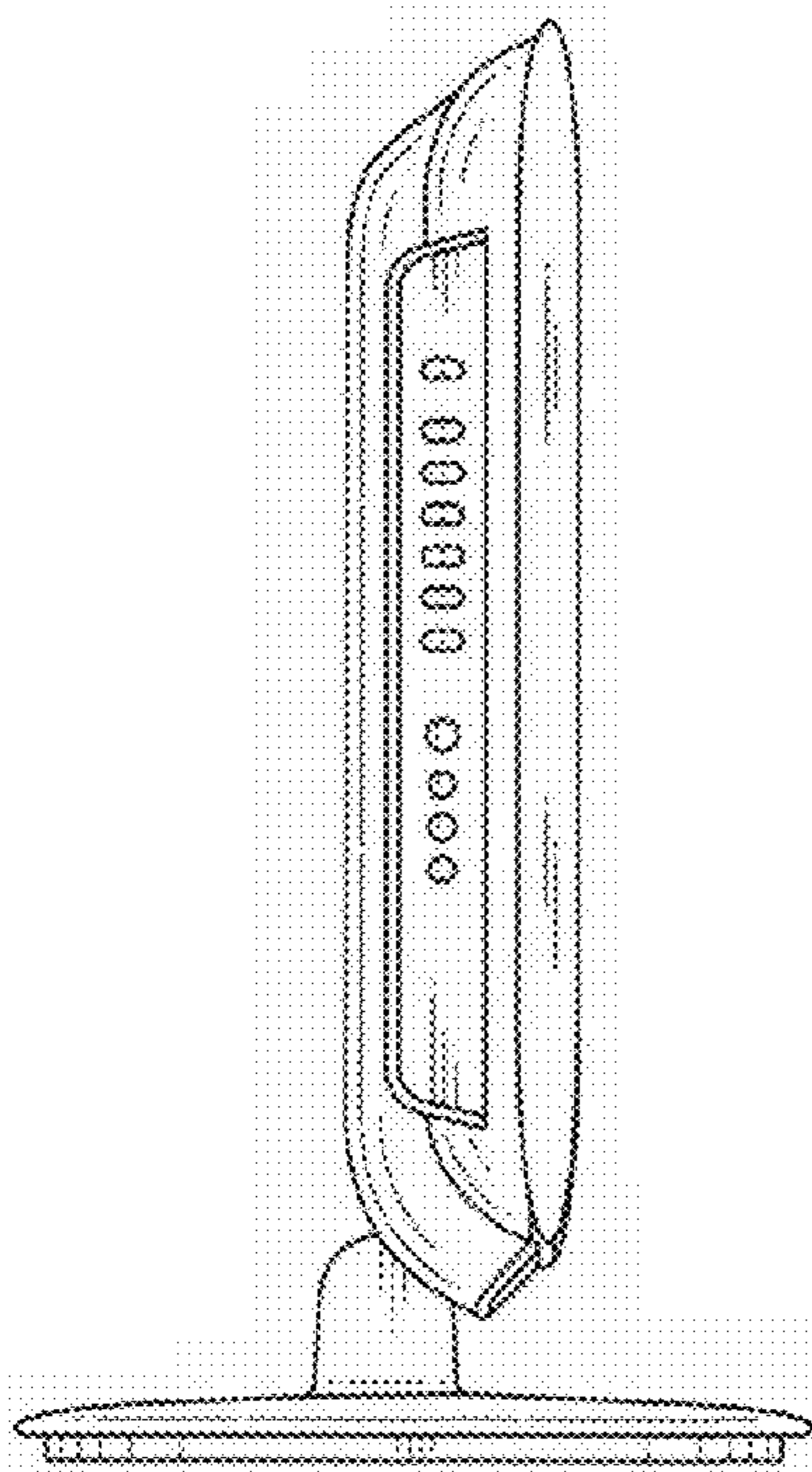


FIG. 8

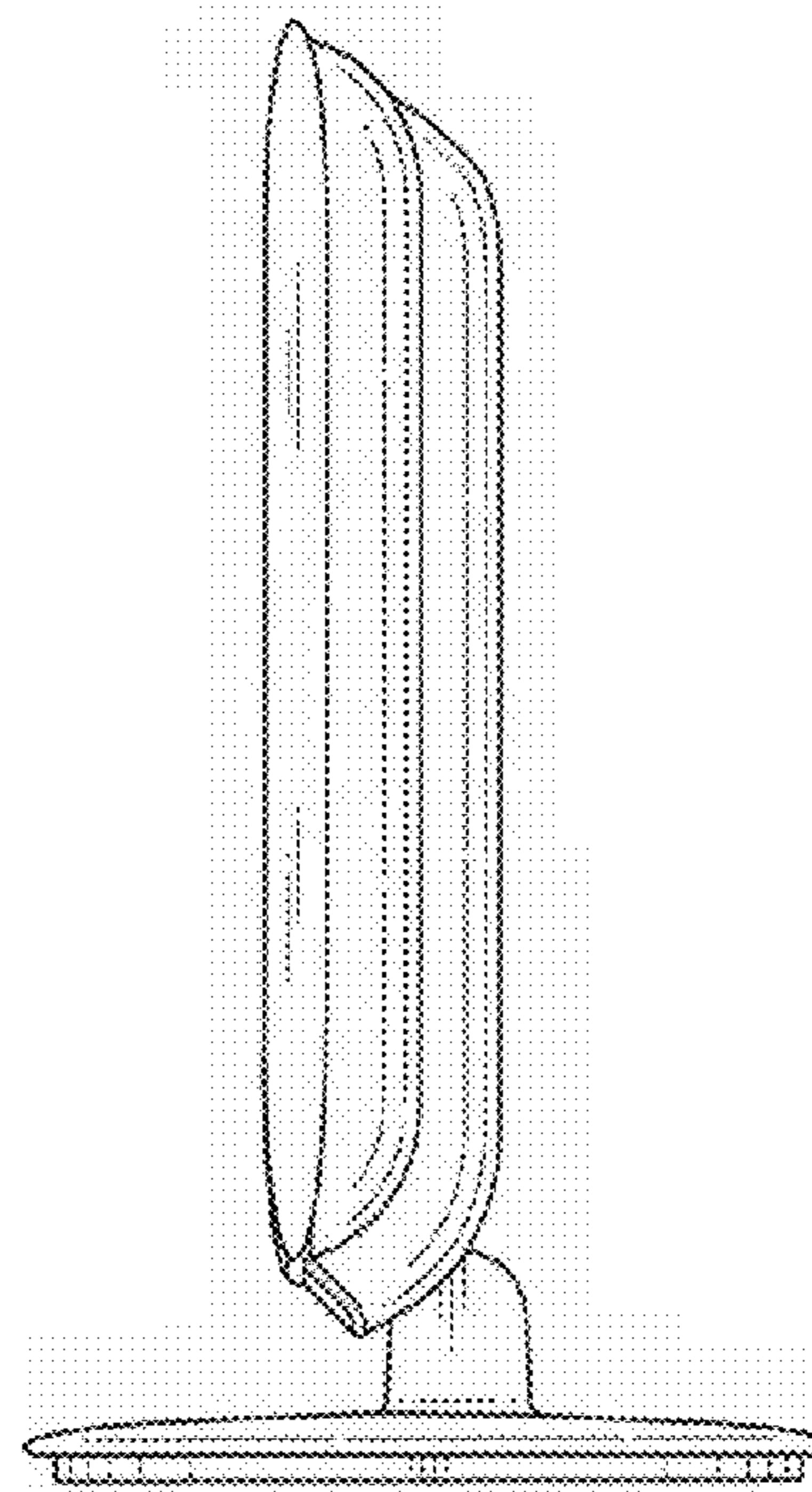


FIG. 7