



US00D628173S

(12) **United States Design Patent**
Chien

(10) **Patent No.:** **US D628,173 S**

(45) **Date of Patent:** **** Nov. 30, 2010**

(54) **DISPLAY**

(75) Inventor: **Chiao-Hung Chien**, Taipei (TW)

(73) Assignee: **Hannspree, Inc.**, Taipei County (TW)

(**) Term: **14 Years**

(21) Appl. No.: **29/347,928**

(22) Filed: **Aug. 5, 2010**

(51) **LOC (9) Cl.** **14-03**

(52) **U.S. Cl.** **D14/126**

(58) **Field of Classification Search** D14/125-134,
D14/239, 371, 136, 374-377, 440, 450, 448,
D14/336, 342; 312/7.2; 348/836, 838, 180,
348/184, 325, 739; 341/12; 248/917-924,
248/465; 345/104, 133, 156, 168, 87, 173;
720/605, 669, 600, 655; 369/99, 197; 455/344-347;
D21/329, 515, 577, 622, 333, 433, 448, 452,
D21/450, 331; D6/477, 479, 300; 273/148 B;
446/484, 175, 356; D10/15, 26
See application file for complete search history.

(56) **References Cited**

U.S. PATENT DOCUMENTS

D431,565 S * 10/2000 Lin et al. D14/375

D483,364 S * 12/2003 Olson et al. D14/375
D531,148 S * 10/2006 Lin D14/126
D533,854 S * 12/2006 Rashid D14/126
D550,634 S * 9/2007 Rashid D14/126
D563,339 S * 3/2008 Tang D14/126
D564,471 S * 3/2008 Lee D14/126
D616,402 S * 5/2010 Chien D14/126

* cited by examiner

Primary Examiner—Raphael Barkai

(74) *Attorney, Agent, or Firm*—Bacon & Thomas, PLLC

(57) **CLAIM**

The ornamental design for a display, as shown.

DESCRIPTION

FIG. 1 is a perspective view of a display showing my new design;

FIG. 2 is a front elevational view thereof;

FIG. 3 is a rear elevational view thereof;

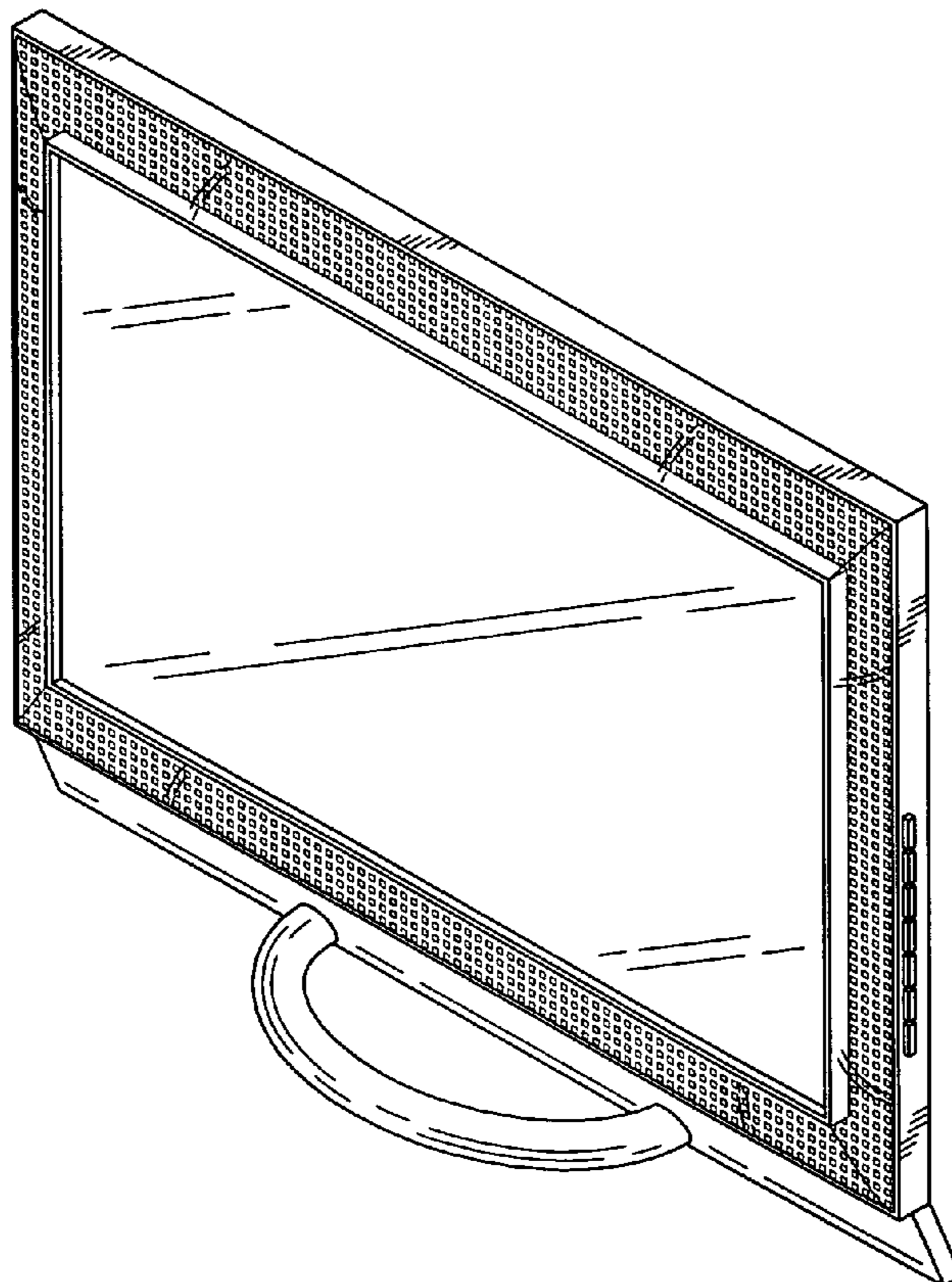
FIG. 4 is a left side elevational view thereof;

FIG. 5 is a right side elevational view thereof;

FIG. 6 is a top plan view thereof; and,

FIG. 7 is a bottom plan view thereof.

1 Claim, 6 Drawing Sheets



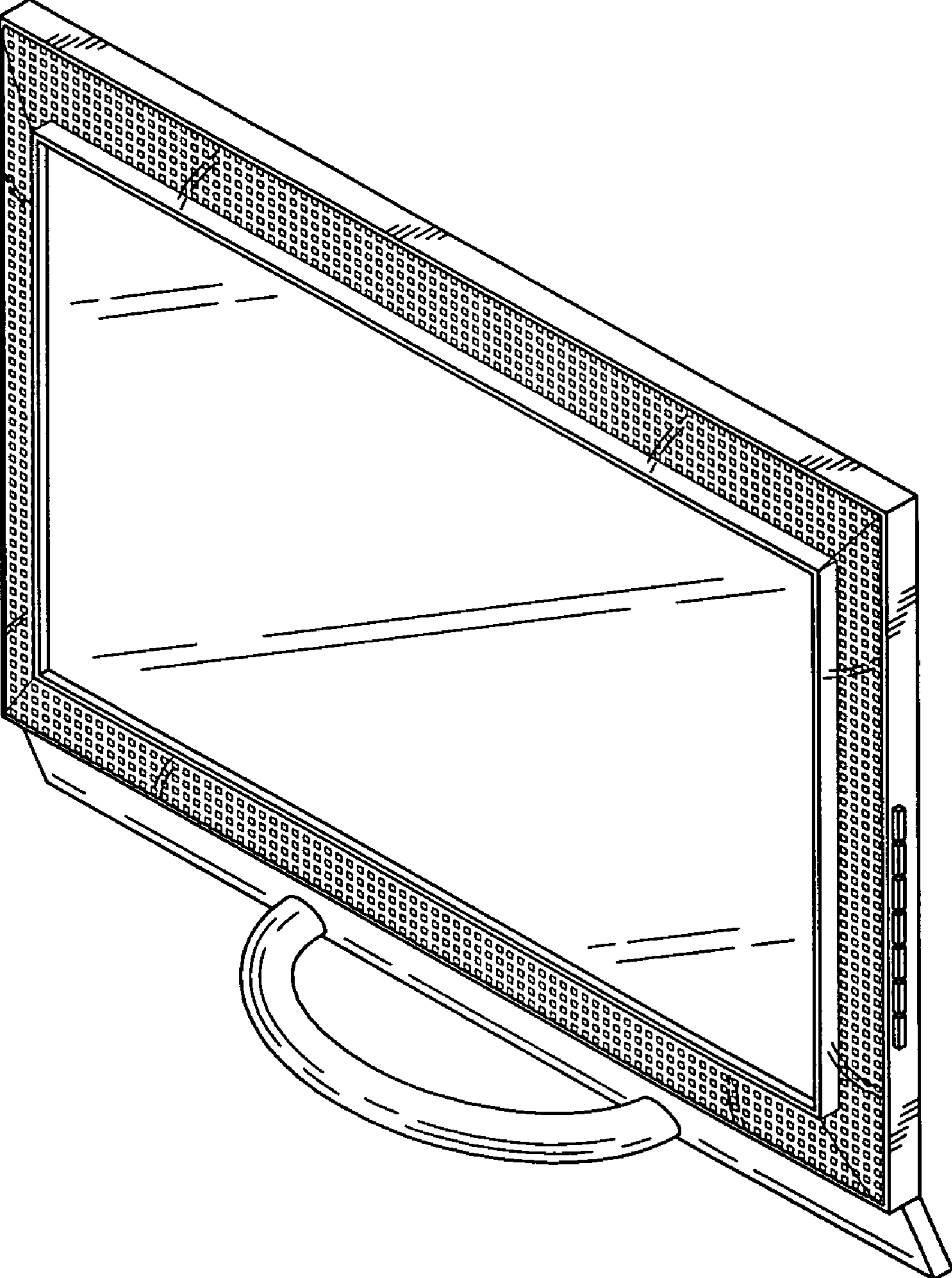


FIG. 1

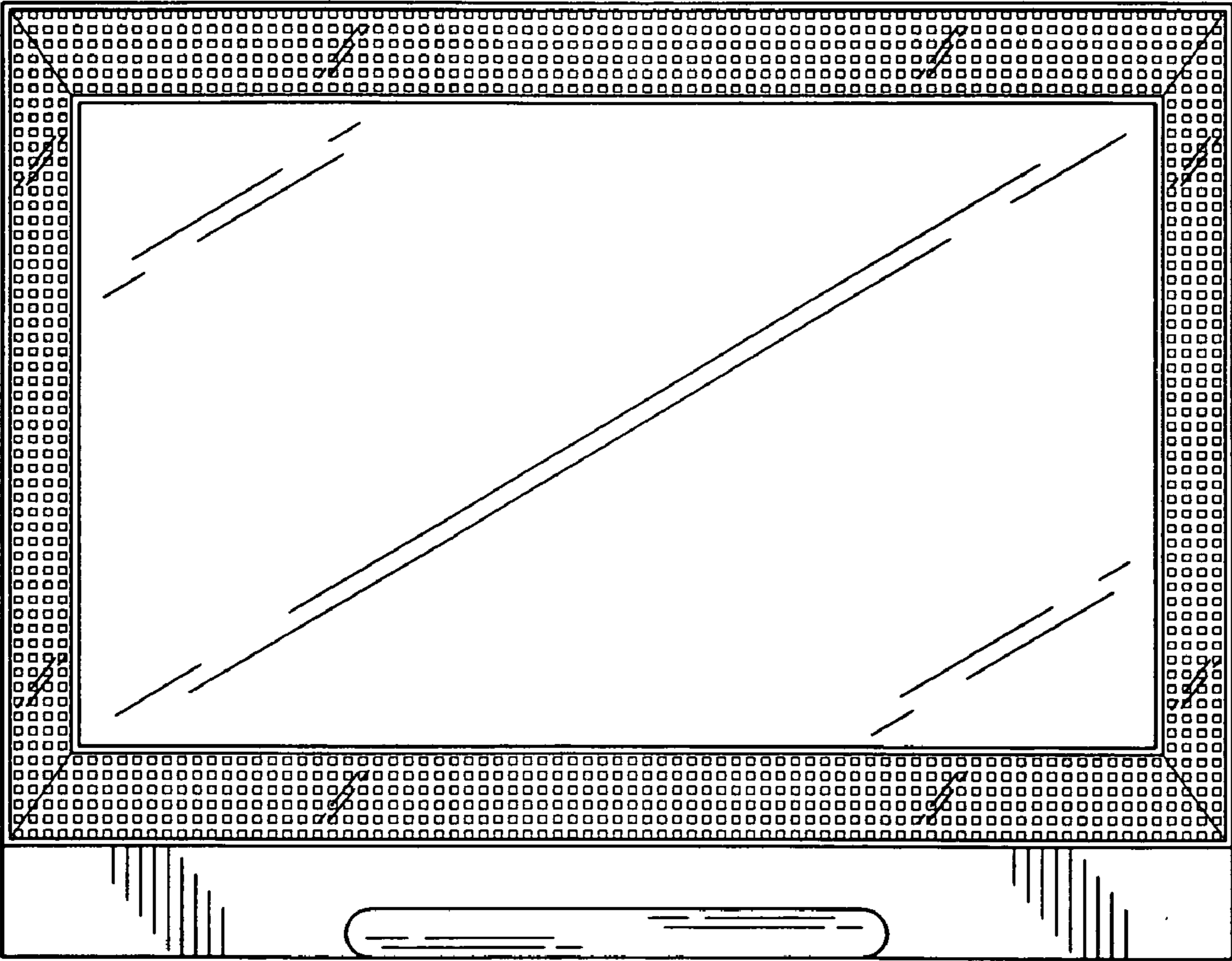


FIG. 2

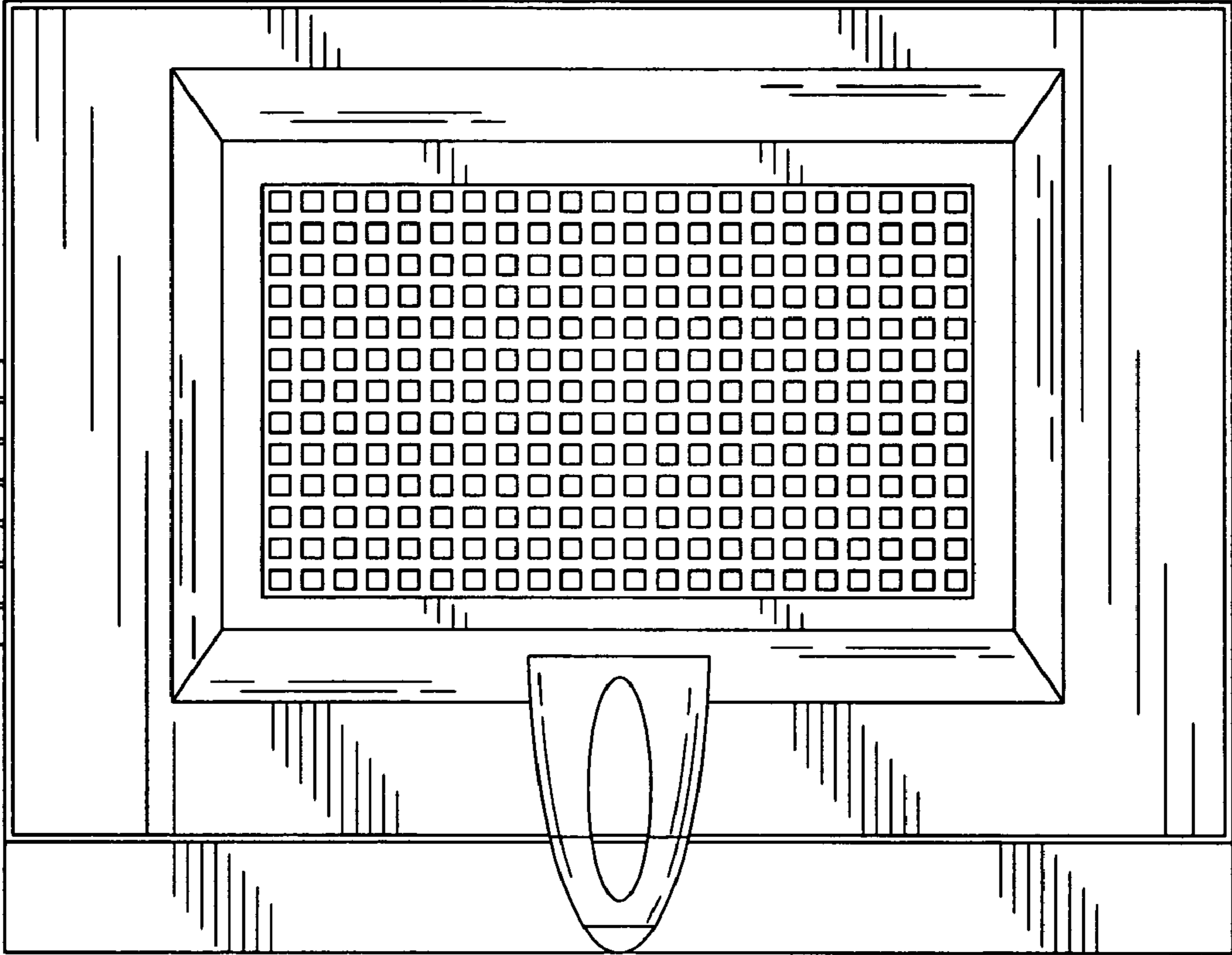


FIG. 3

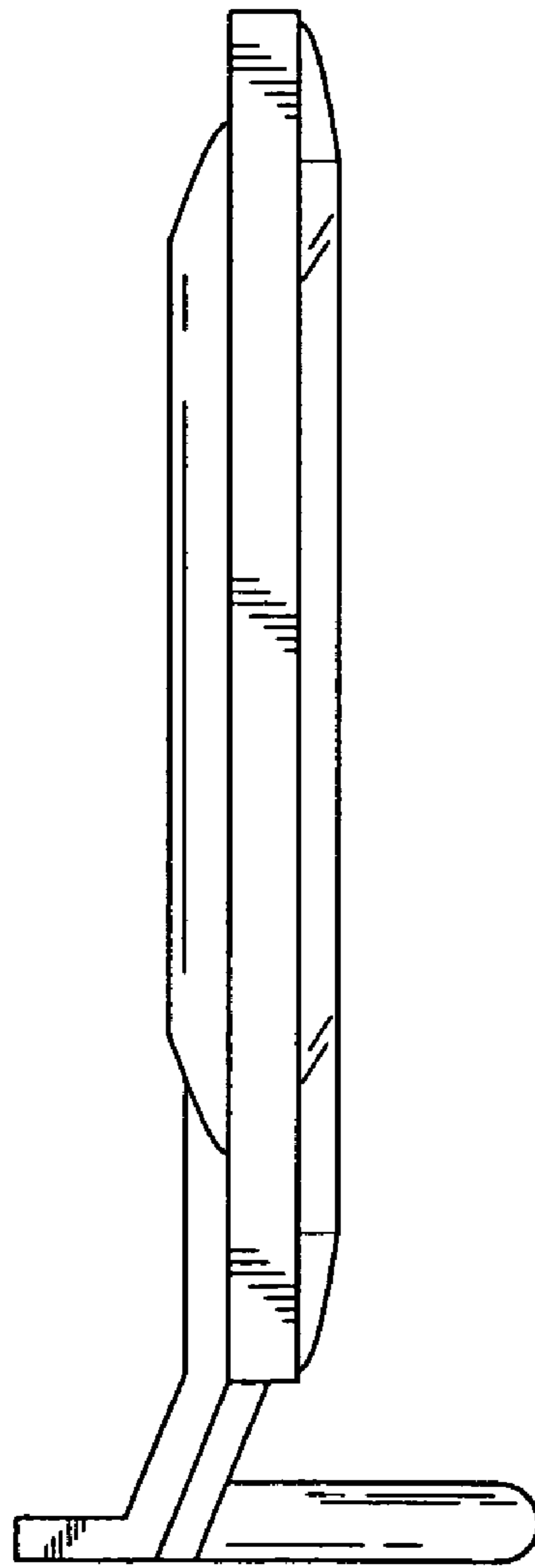


FIG. 4

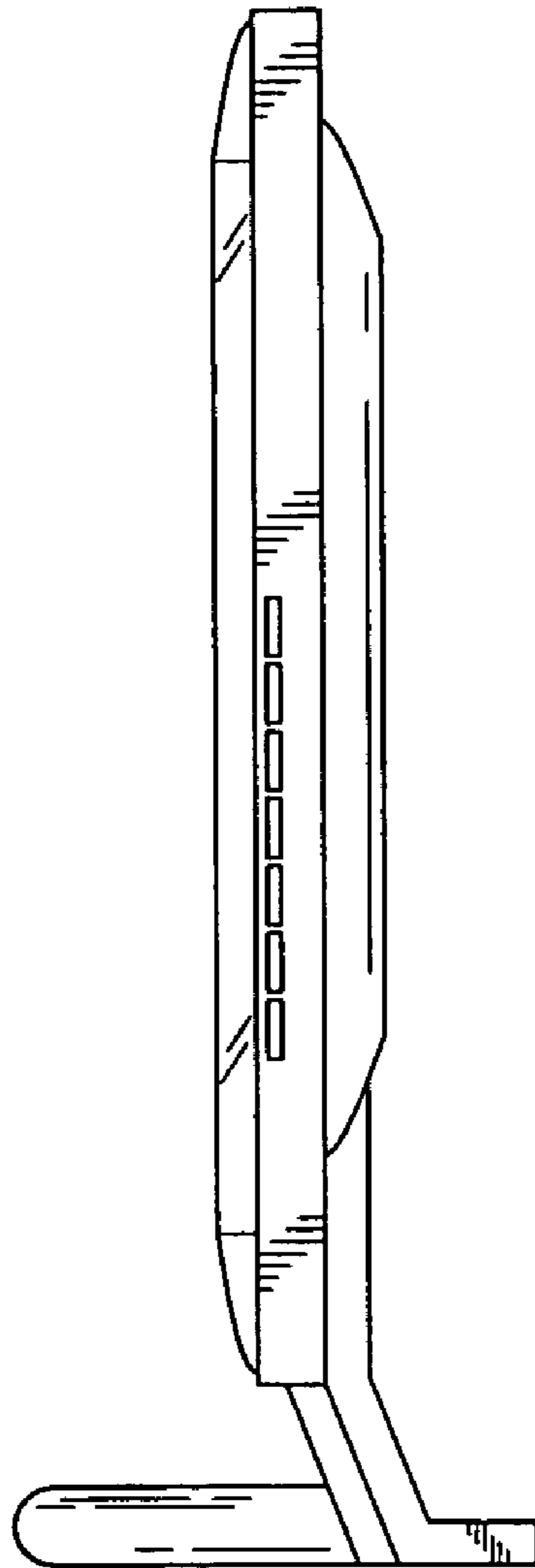


FIG. 5

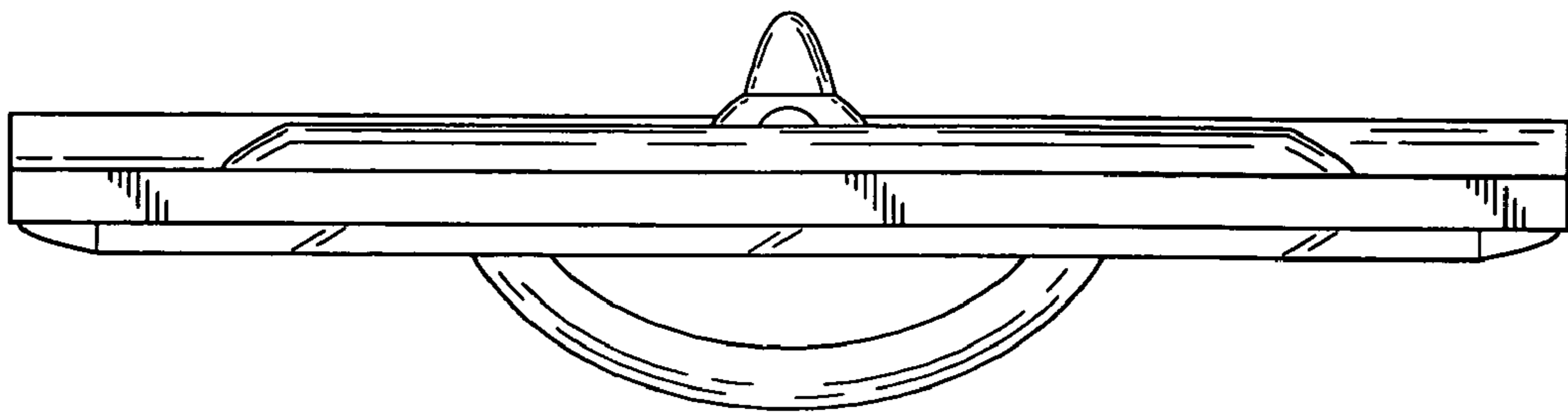


FIG. 6

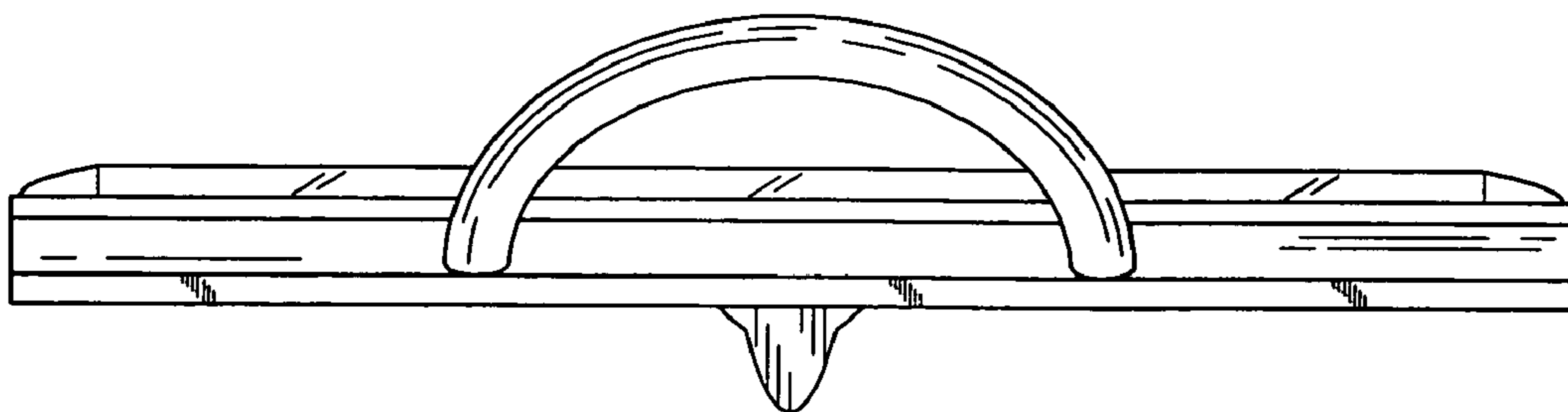


FIG. 7