



US00D628168S

(12) **United States Design Patent**
Lai et al.

(10) **Patent No.:** **US D628,168 S**

(45) **Date of Patent:** **** Nov. 30, 2010**

(54) **LED**

D490,784 S * 6/2004 Ishida D13/180
D494,998 S * 8/2004 Blanke, Jr. D19/3

(75) Inventors: **Chih-Ming Lai**, Miao-Li Hsien (TW);
Ming-Young Shiao, Miao-Li Hsien
(TW)

(Continued)

Primary Examiner—Selina Sikder

(73) Assignee: **Foxsemicon Integrated Technology, Inc.**, Chu-Nan, Miao-Li Hsien (TW)

(74) *Attorney, Agent, or Firm*—Raymond J. Chew

(**) Term: **14 Years**

(57) **CLAIM**

The ornamental design for an LED, as shown and described.

(21) Appl. No.: **29/360,037**

DESCRIPTION

(22) Filed: **Apr. 20, 2010**

FIG. 1 is a perspective view of an LED in accordance with a first embodiment of our new design.

(30) **Foreign Application Priority Data**

Feb. 1, 2010 (CN) 2010 3 0302897

FIG. 2 is a front elevational view of FIG. 1.

(51) **LOC (9) Cl.** **13-03**

FIG. 3 is a rear elevational view of FIG. 1.

(52) **U.S. Cl.** **D13/180**

FIG. 4 is a left-side, elevational view of FIG. 1.

(58) **Field of Classification Search** D13/180;
D26/2; D5/2, 6, 51, 60, 61, 63; D20/22,
D20/28; D25/153, 155, 157; 257/79, 80,
257/81, 88, 89, 95, 98, 99, 100, E33.058;
313/483, 498, 500; 362/555, 800

FIG. 5 is a right-side, elevational view of FIG. 1.

See application file for complete search history.

FIG. 6 is a top plan view of FIG. 1.

FIG. 7 is a bottom plan view of FIG. 1.

FIG. 8 is a perspective view of an LED in accordance with a second embodiment of our new design.

(56) **References Cited**

U.S. PATENT DOCUMENTS

168,063 A * 9/1875 Taylo 220/62
D172,110 S * 5/1954 Rutrick D5/63
3,564,770 A * 2/1971 Korbelic 49/38
3,800,353 A * 4/1974 Roth 15/184
D391,647 S * 3/1998 von Langsdorff et al. .. D25/157
D428,930 S * 8/2000 Dunlap D20/22
D428,931 S * 8/2000 Zulch D20/22
6,259,608 B1 * 7/2001 Berardinelli et al. 361/777

FIG. 9 is a front elevational view of FIG. 8.

FIG. 10 is a rear elevational view of FIG. 8.

FIG. 11 is a left-side, elevational view of FIG. 8.

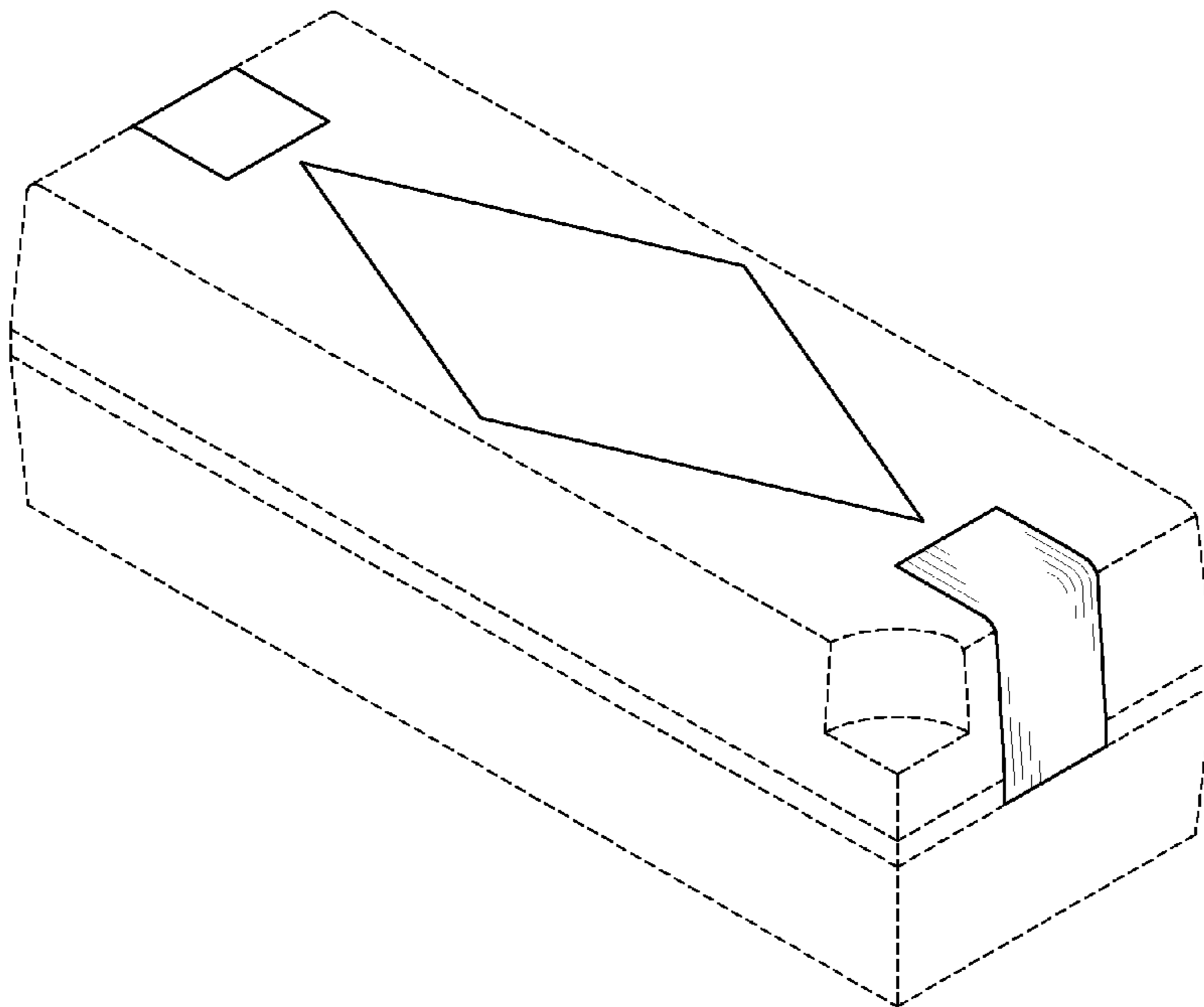
FIG. 12 is a right-side, elevational view of FIG. 8.

FIG. 13 is a top plan view of FIG. 8; and,

FIG. 14 is a bottom plan view of FIG. 8.

The broken line showing of the environment is for illustrative purpose only and forms no part of the claimed design.

1 Claim, 14 Drawing Sheets



US D628,168 S

Page 2

U.S. PATENT DOCUMENTS

D506,449 S *	6/2005	Hoshiha	D13/180	D550,169 S *	9/2007	Wu et al.	D13/180
D508,233 S *	8/2005	Kasae et al.	D13/180	D553,103 S *	10/2007	Sumitani	D13/180
D509,807 S *	9/2005	Ishida	D13/180	D562,269 S *	2/2008	Wu et al.	D13/180
D510,913 S *	10/2005	Sumitani	D13/180	D589,009 S *	3/2009	Sumitani	D13/180
D511,147 S *	11/2005	Suenaga	D13/180	D593,515 S *	6/2009	Nakagawa	D13/180
D511,148 S *	11/2005	Ishida	D13/180	D595,247 S *	6/2009	Kim et al.	D13/180
D515,044 S *	2/2006	Ishida	D13/180	D599,749 S *	9/2009	Bando	D13/180
D526,971 S *	8/2006	Inoue	D13/180	D601,519 S *	10/2009	Sumitani	D13/180
D528,515 S *	9/2006	Sumitani	D13/180	2005/0121688 A1 *	6/2005	Nagai et al.	257/99
D530,684 S *	10/2006	Tzeng	D13/180	2008/0237621 A1 *	10/2008	Takemoto	257/98
D535,263 S *	1/2007	Sumitani	D13/180	2008/0246045 A1 *	10/2008	Song	257/98
D539,760 S *	4/2007	Sumitani	D13/180	2008/0315227 A1 *	12/2008	Bogner et al.	257/98
D541,759 S *	5/2007	Shin et al	D13/180	2009/0166656 A1 *	7/2009	Yu et al.	257/98
					2009/0261373 A1 *	10/2009	Shum et al.	257/98

* cited by examiner

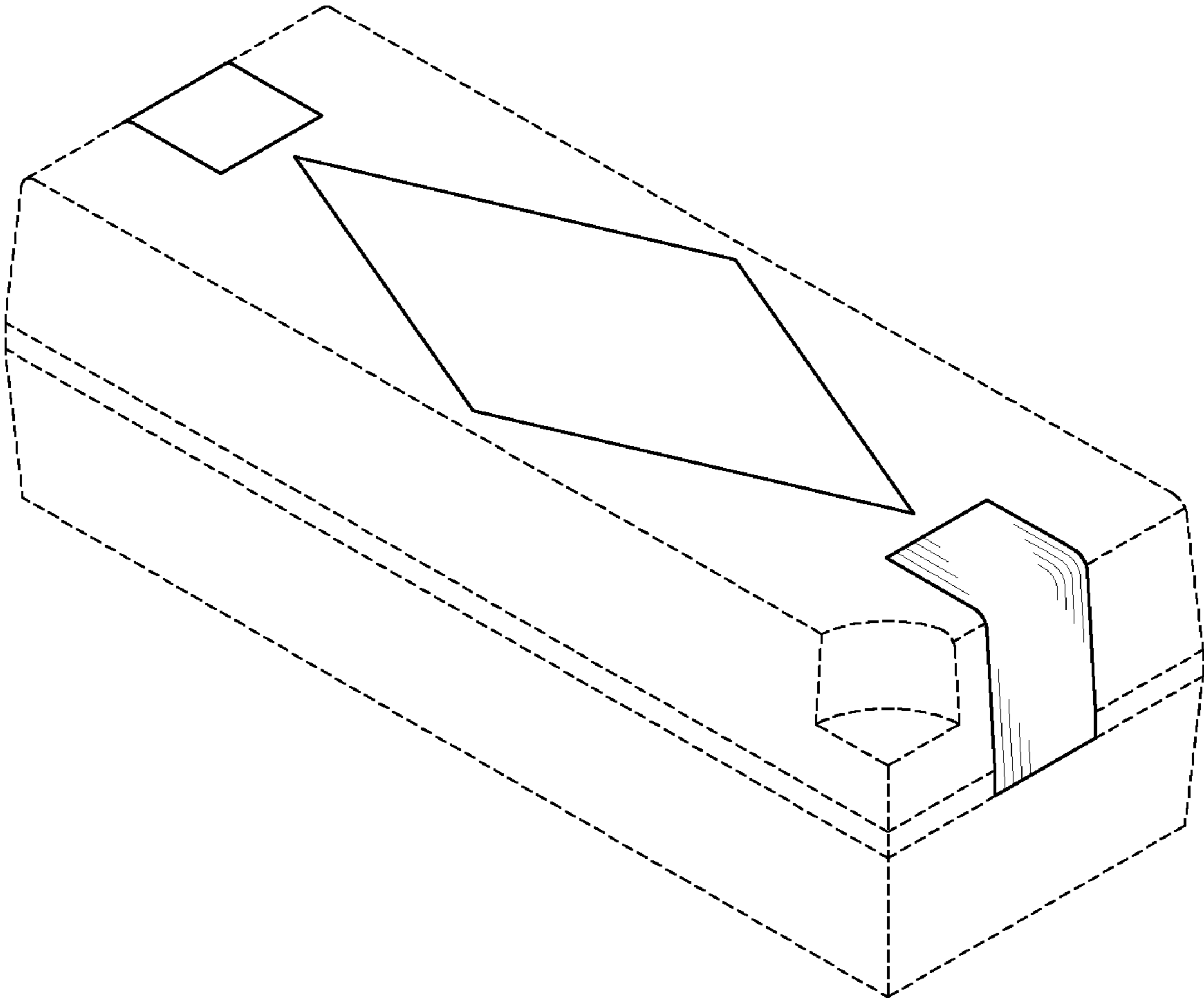


FIG. 1

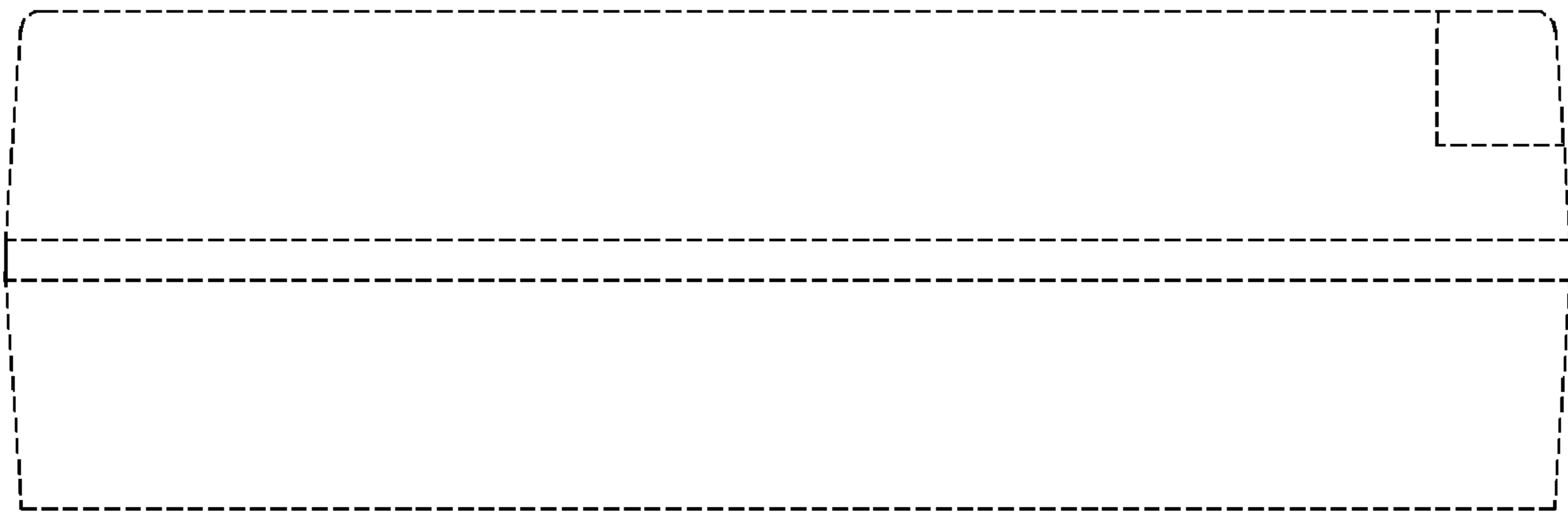


FIG. 2

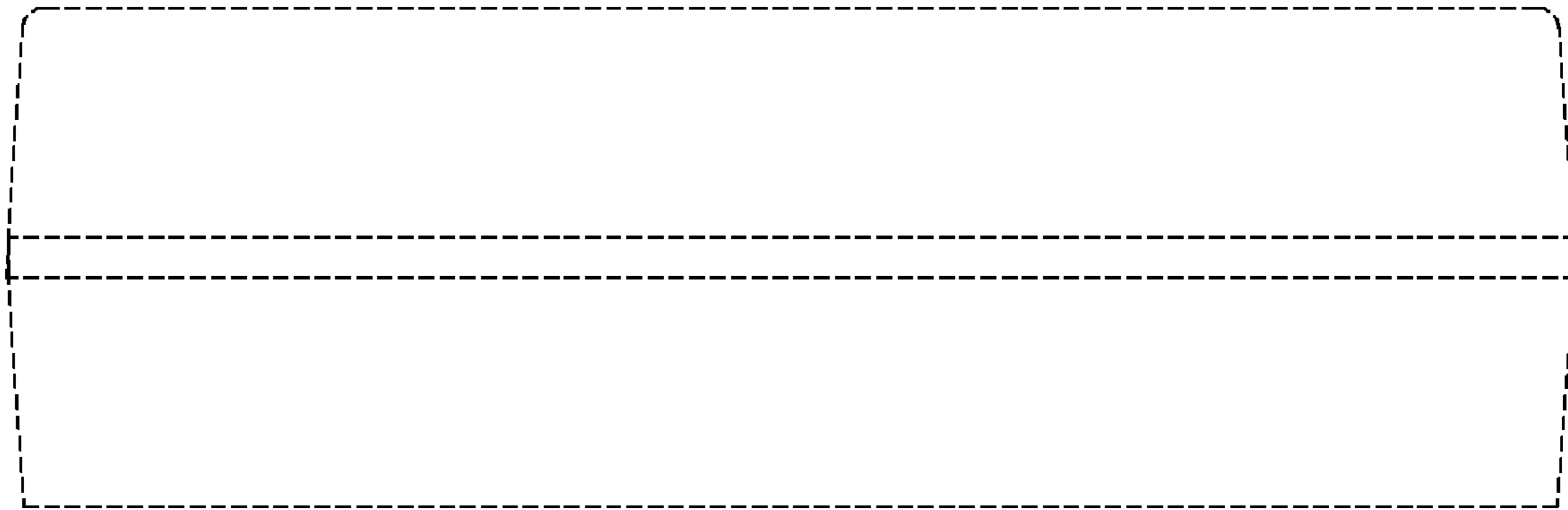


FIG. 3

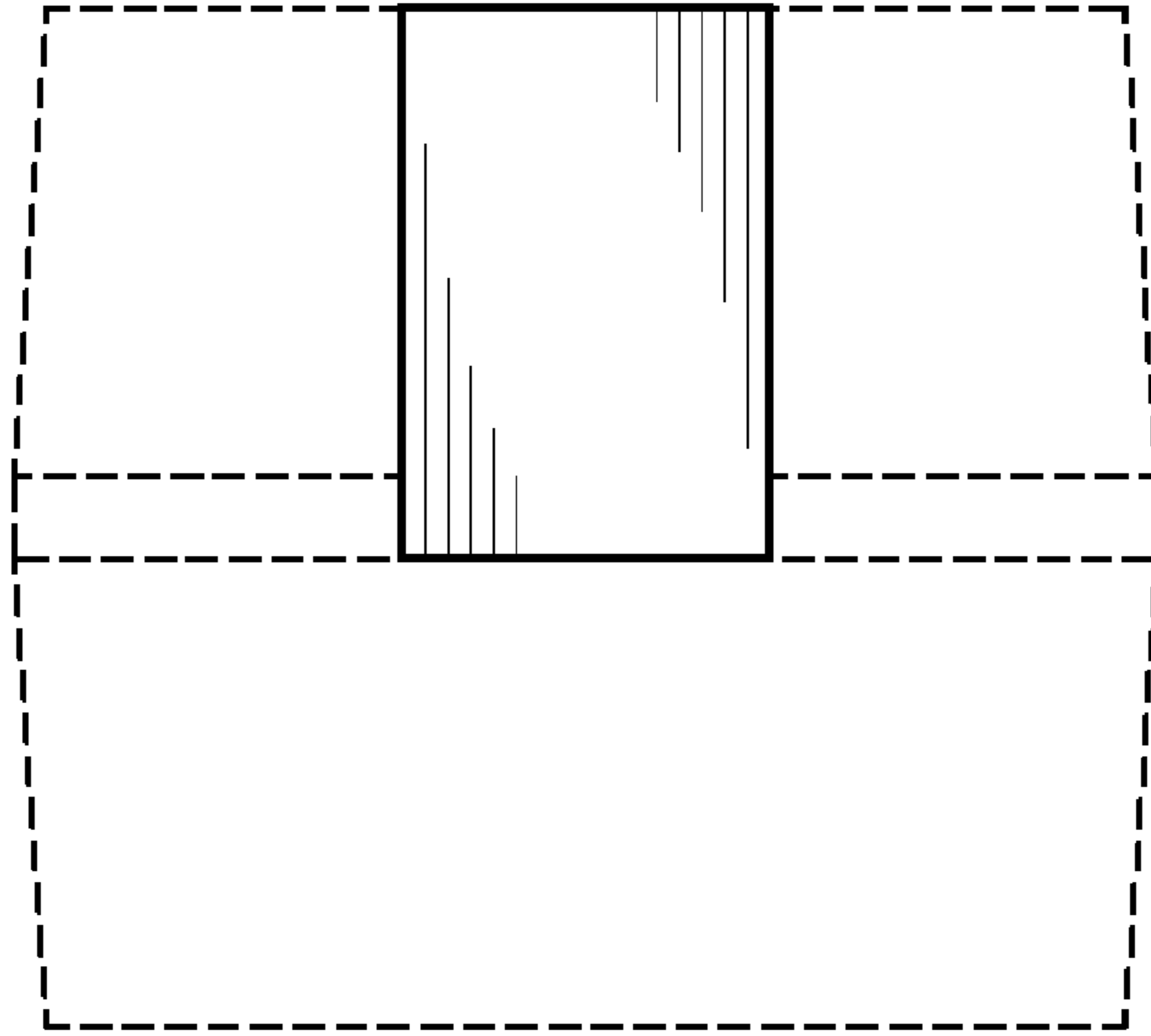


FIG. 4

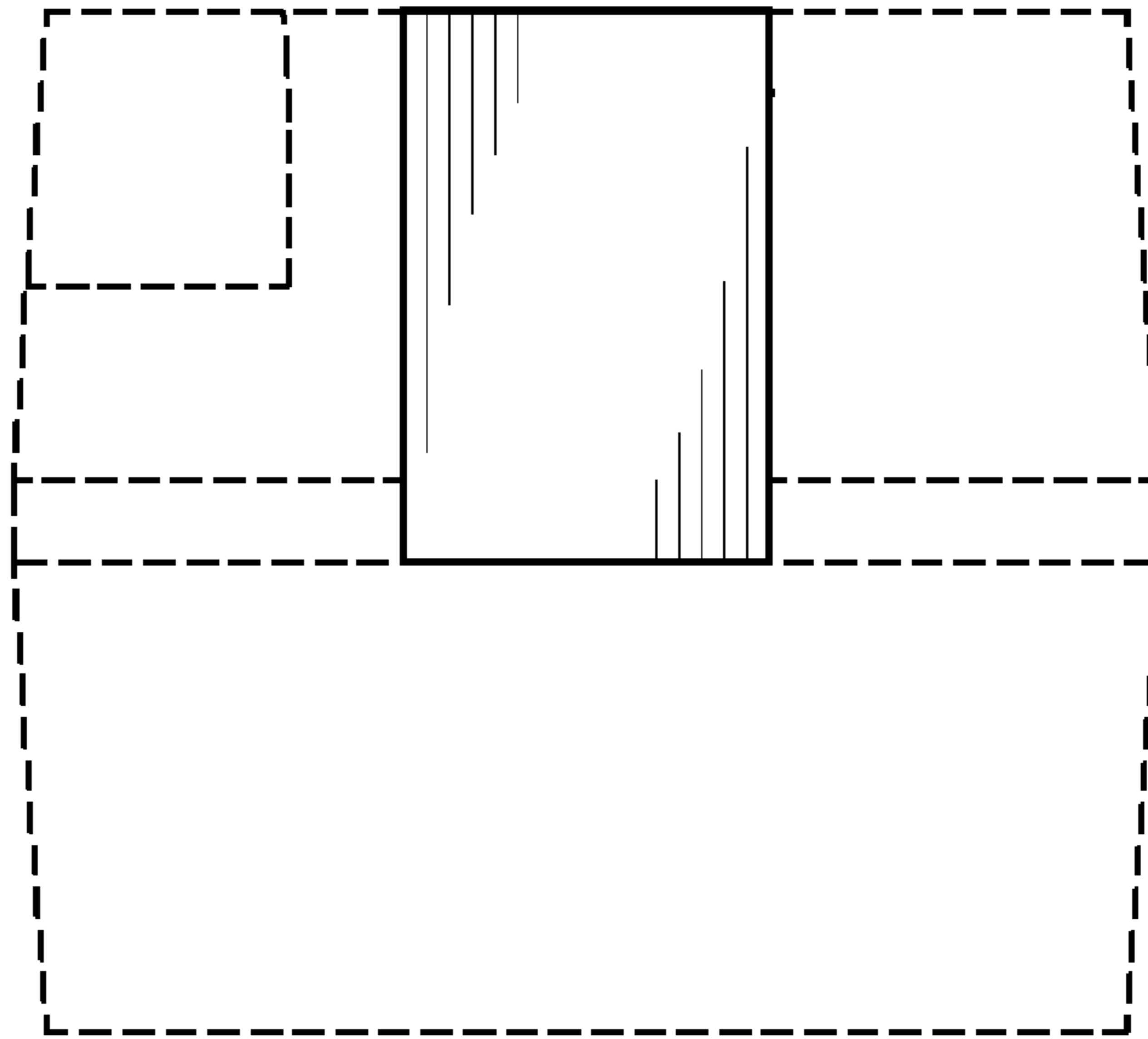


FIG. 5

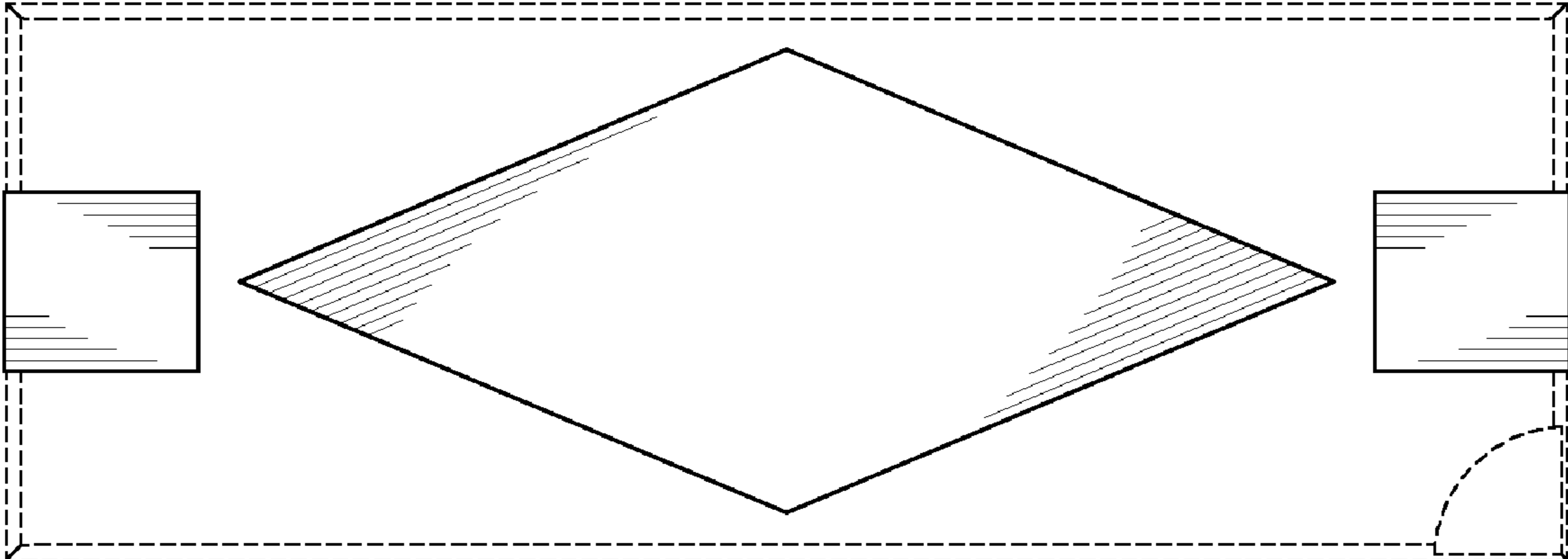


FIG. 6

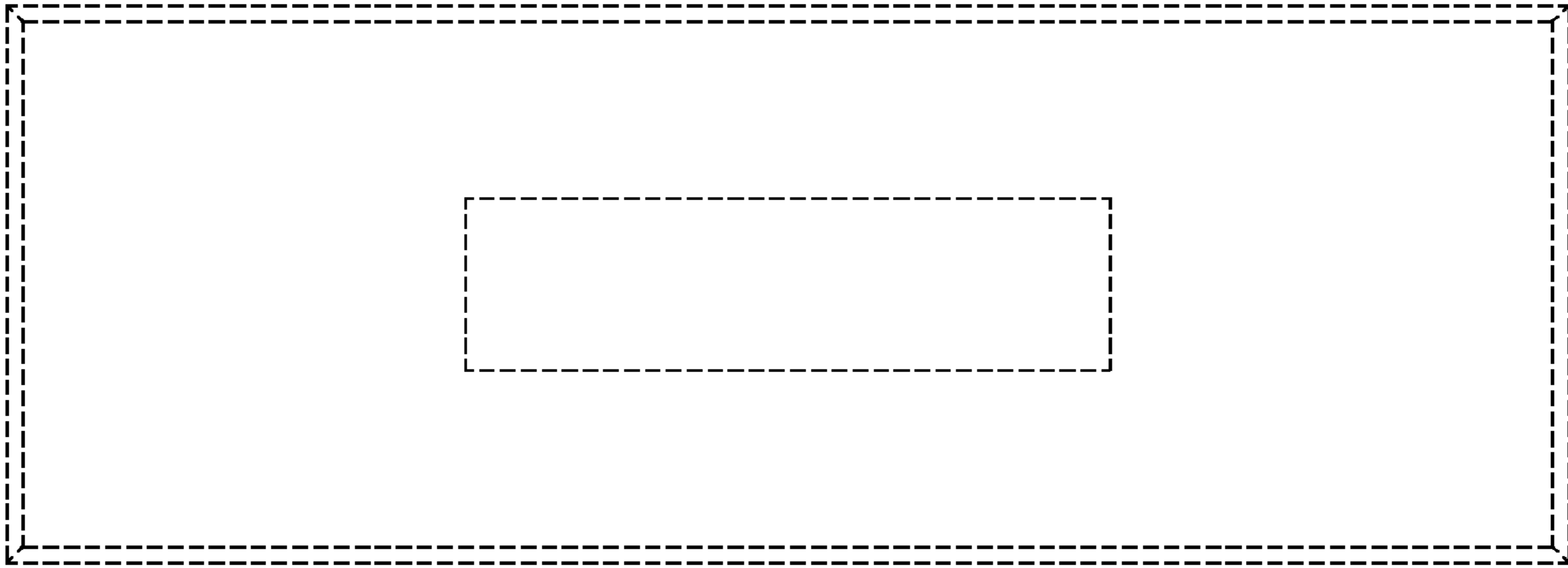


FIG. 7

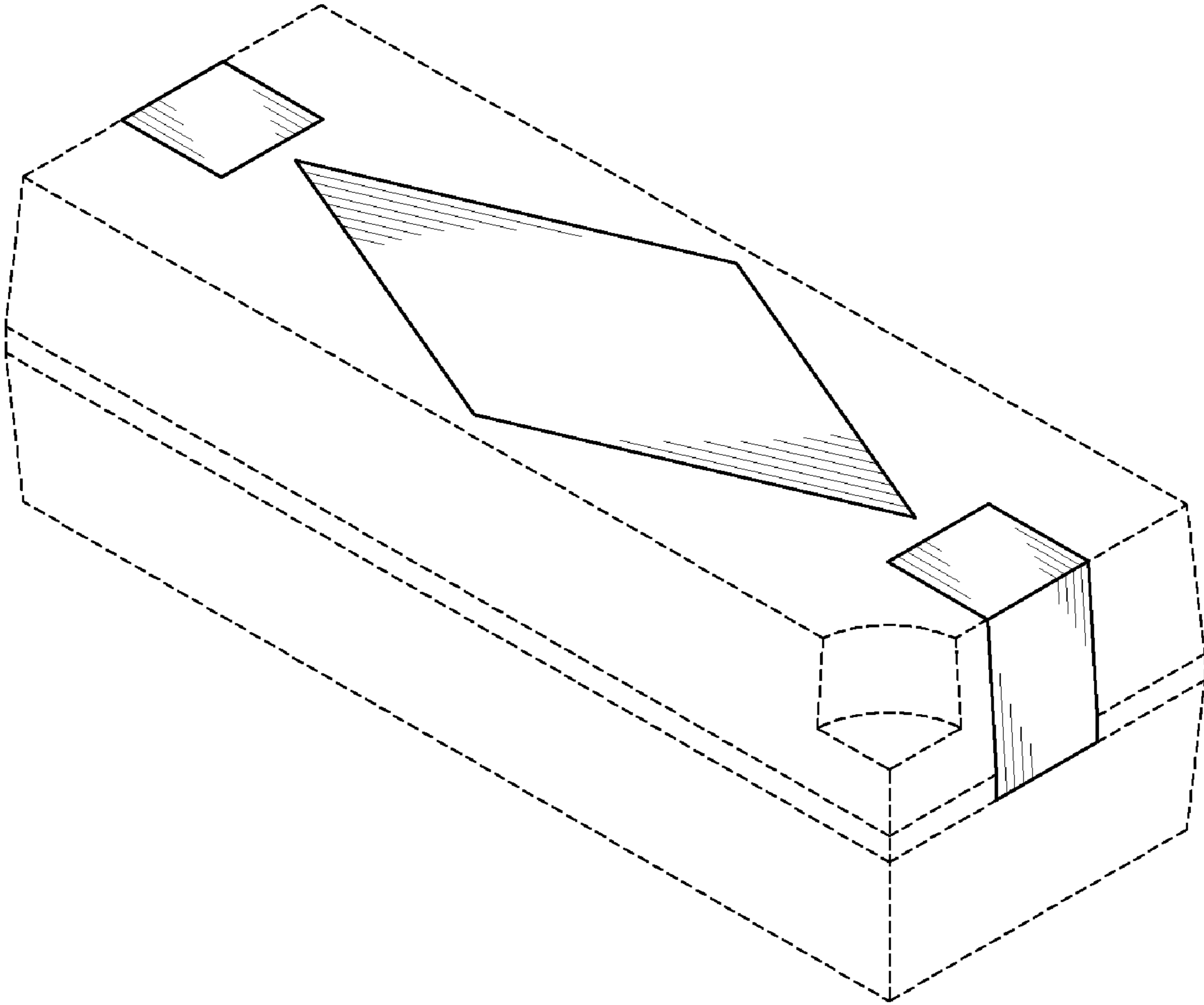


FIG. 8

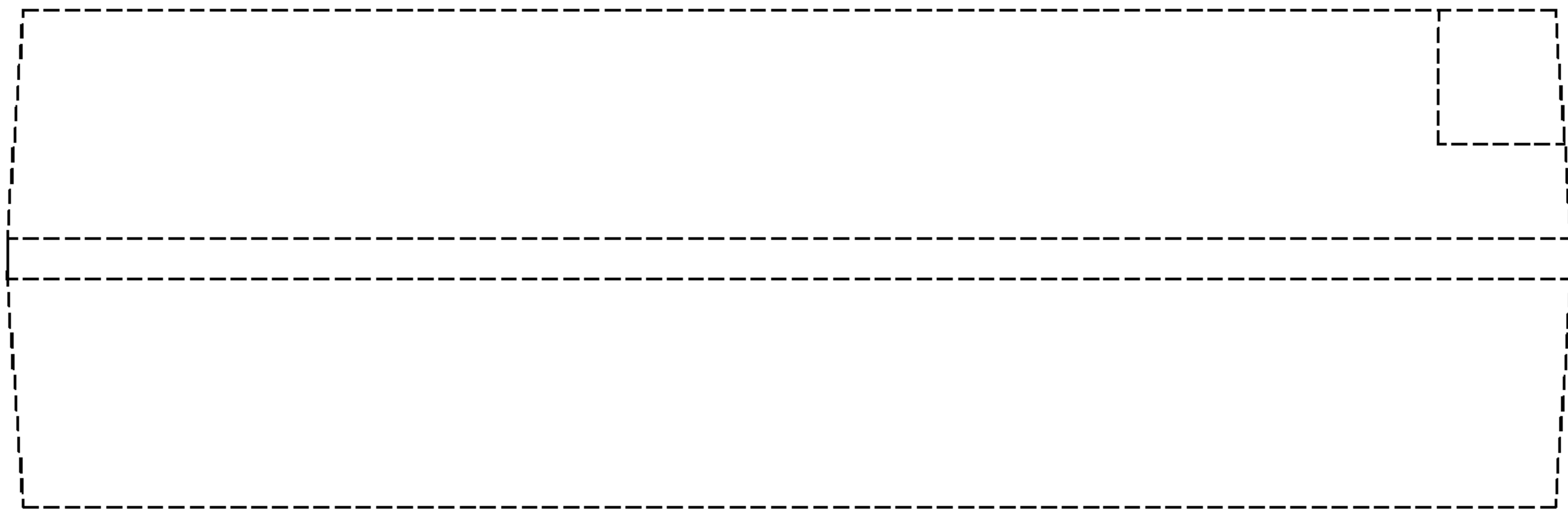


FIG. 9

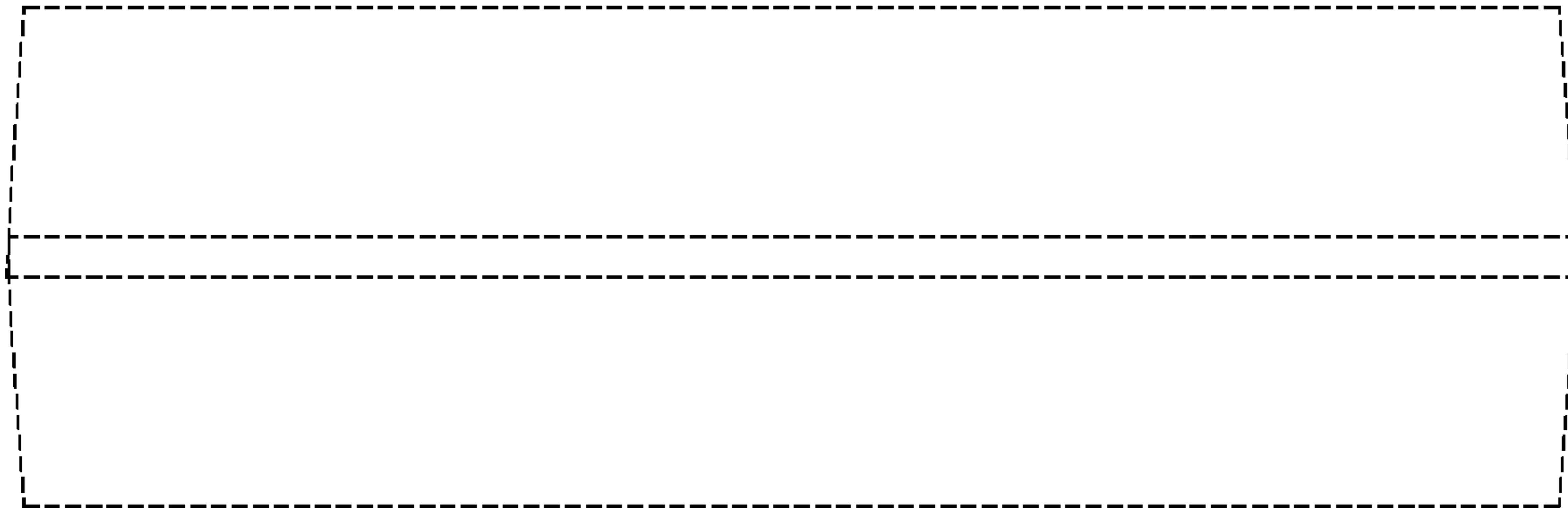


FIG. 10

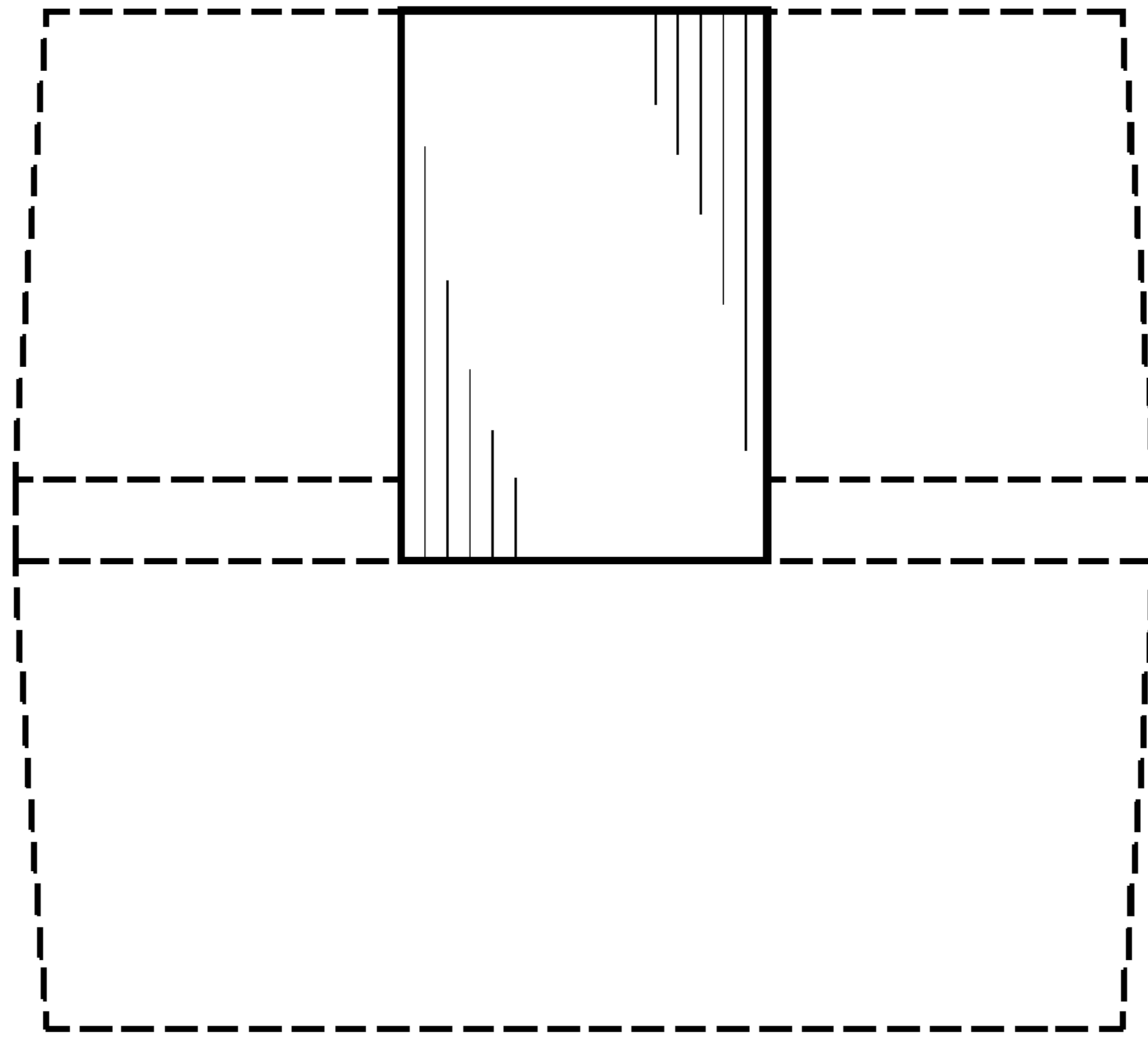


FIG. 11

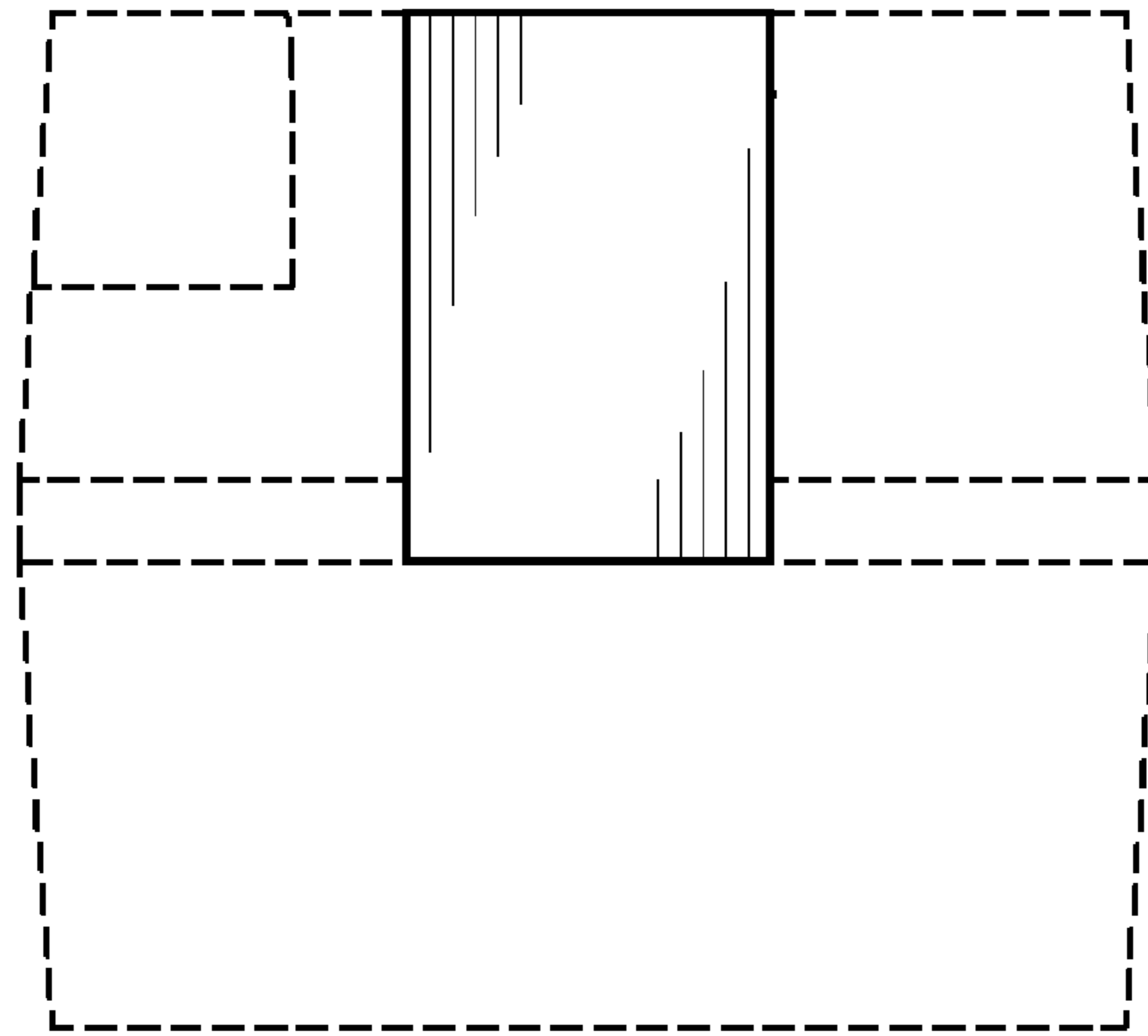


FIG. 12

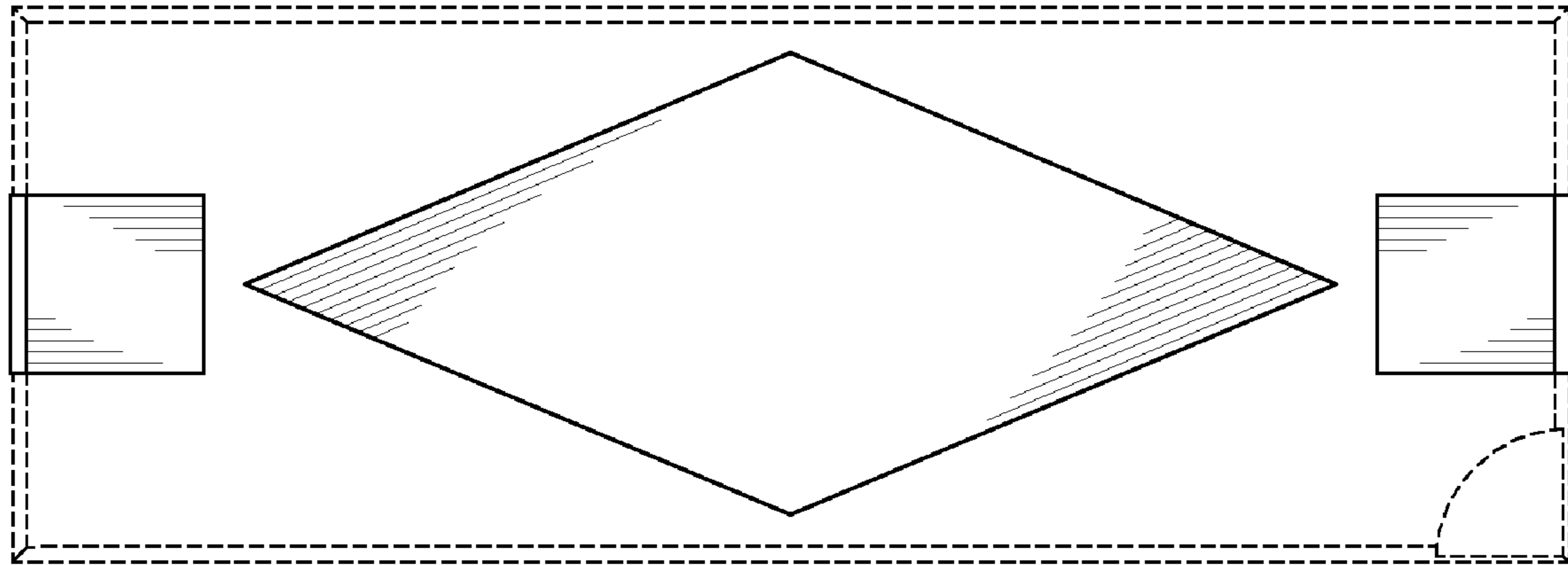


FIG. 13

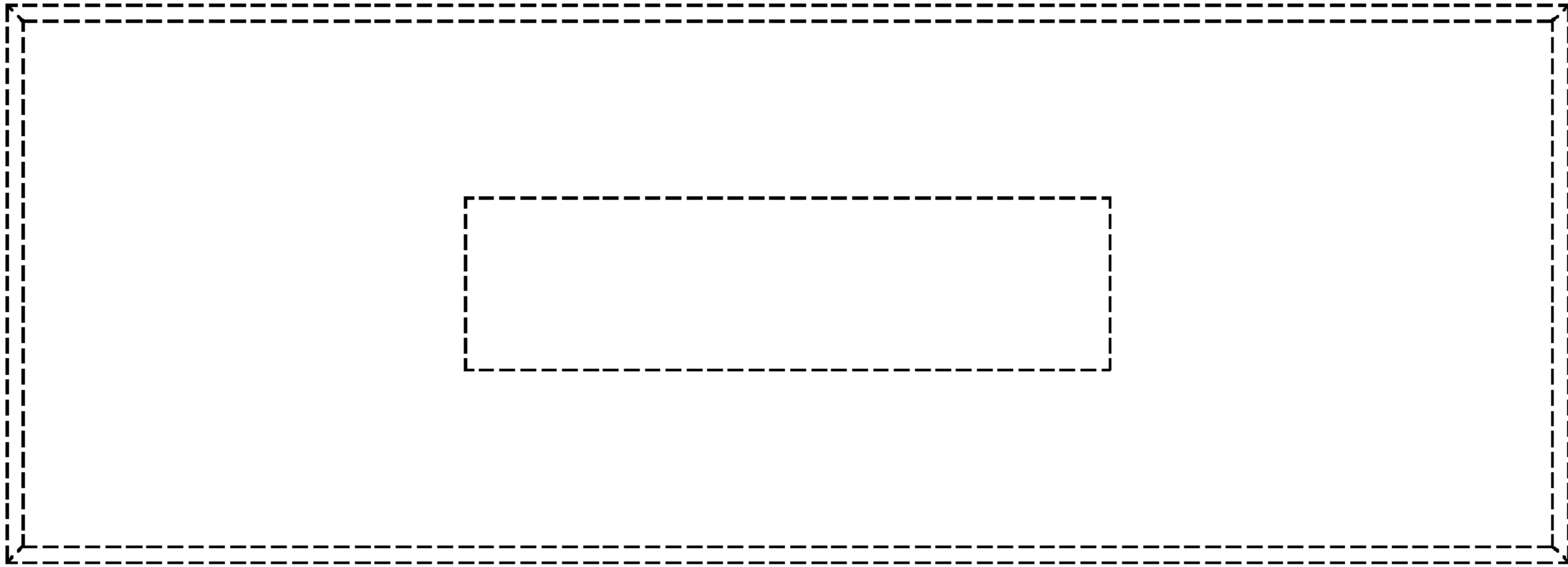


FIG. 14