

US00D628166S

(12) **United States Design Patent**
Okuwaki

(10) **Patent No.:** **US D628,166 S**

(45) **Date of Patent:** **** Nov. 30, 2010**

(54) **LIGHT-EMITTING DIODE**

(75) Inventor: **Masaki Okuwaki**, Fujiyoshida (JP)

(73) Assignee: **Citizen Electronics Co., Ltd.**,
Yamanashi (JP)

(**) Term: **14 Years**

(21) Appl. No.: **29/344,638**

(22) Filed: **Oct. 1, 2009**

Related U.S. Application Data

(62) Division of application No. 29/327,796, filed on Nov. 13, 2008.

(30) **Foreign Application Priority Data**

May 13, 2008	(JP)	2008-011893
May 13, 2008	(JP)	2008-011894
Oct. 8, 2008	(JP)	2008-025906
Oct. 8, 2008	(JP)	2008-025907

(51) **LOC (9) Cl.** **13-03**

(52) **U.S. Cl.** **D13/180**

(58) **Field of Classification Search** D13/180;
D26/2; 257/79, 80, 81, 88, 89, 95, 98, 99,
257/100, E33.058; 313/483, 498, 500; 362/555,
362/800

See application file for complete search history.

(56) **References Cited**

U.S. PATENT DOCUMENTS

D476,960 S *	7/2003	Fukasawa et al.	D13/182
D478,879 S *	8/2003	Imai	D13/182
D565,514 S *	4/2008	Cho	D13/180

D590,354 S *	4/2009	Tsuchiya et al.	D13/180
2002/0149314 A1 *	10/2002	Takahashi et al.	313/500
2006/0284207 A1 *	12/2006	Park et al.	257/99

OTHER PUBLICATIONS

2003 Citizen Electronics Products, Citizens Electronics Co., Ltd., pp. 1-4.

* cited by examiner

Primary Examiner—Selina Sikder

(74) *Attorney, Agent, or Firm*—Browdy and Neimark, PLLC

(57) **CLAIM**

The ornamental design for a light-emitting diode, as shown and described here.

DESCRIPTION

FIG. 1 is a perspective view of the light-emitting diode in accordance with my new design, showing an upper surface and side surfaces thereof as viewed from diagonally above;

FIG. 2 is a perspective view thereof, showing a bottom surface and side surfaces thereof as viewed from diagonally above;

FIG. 3 is a front elevation view thereof;

FIG. 4 is a rear elevation view thereof;

FIG. 5 is a top plan view thereof;

FIG. 6 is a bottom plan view thereof;

FIG. 7 is a left side elevation view thereof, (a right side view being a mirror image thereof); and,

FIG. 8 is a cross-sectional view taken along line 8 in FIG. 5.

The article is a light-emitting diode (LED) including two resin-sealed portions, each sealing at least one LED element, and at least one of the two resin-sealed portions includes at least one fluorescent material.

1 Claim, 3 Drawing Sheets

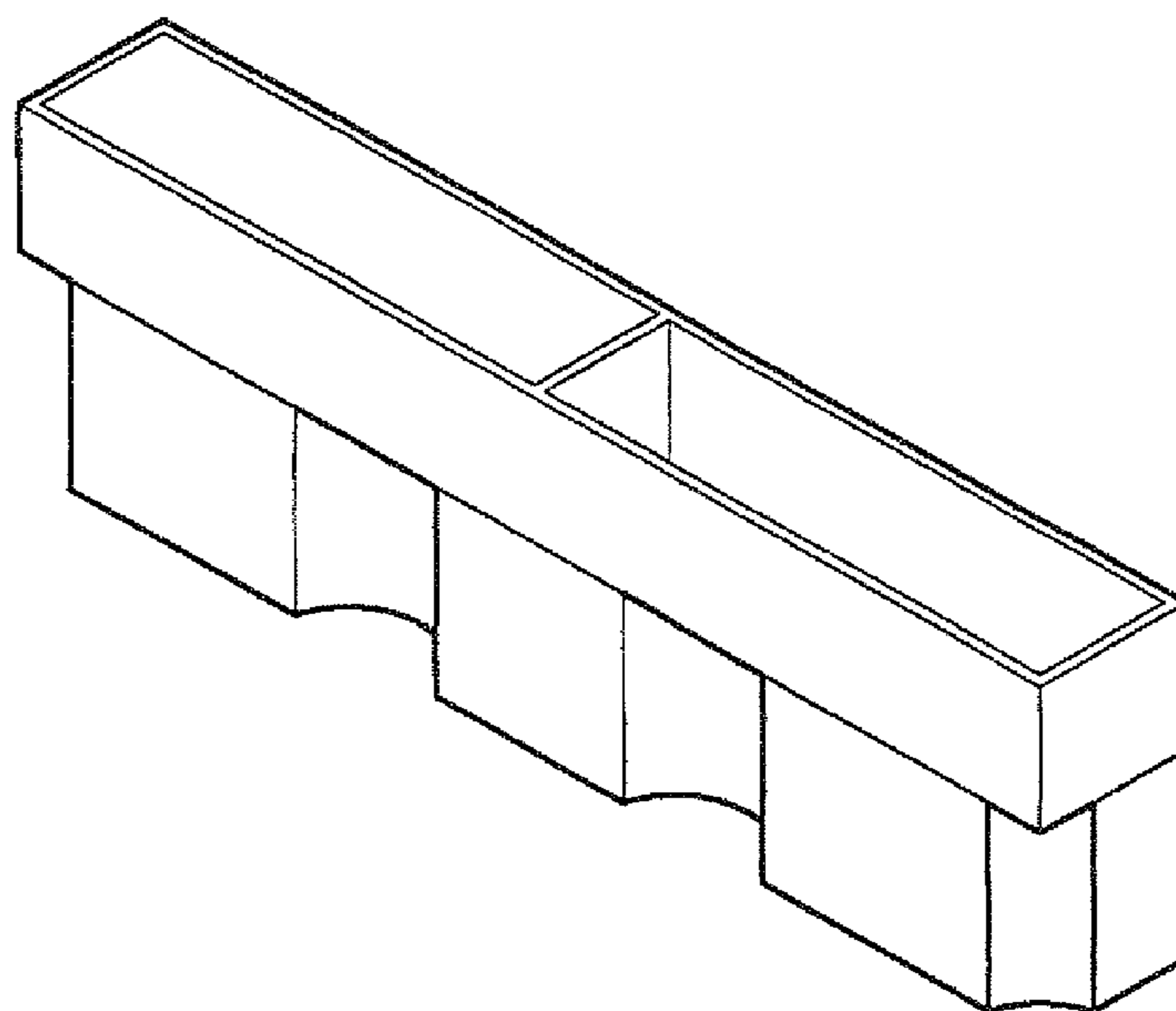


Fig. 1

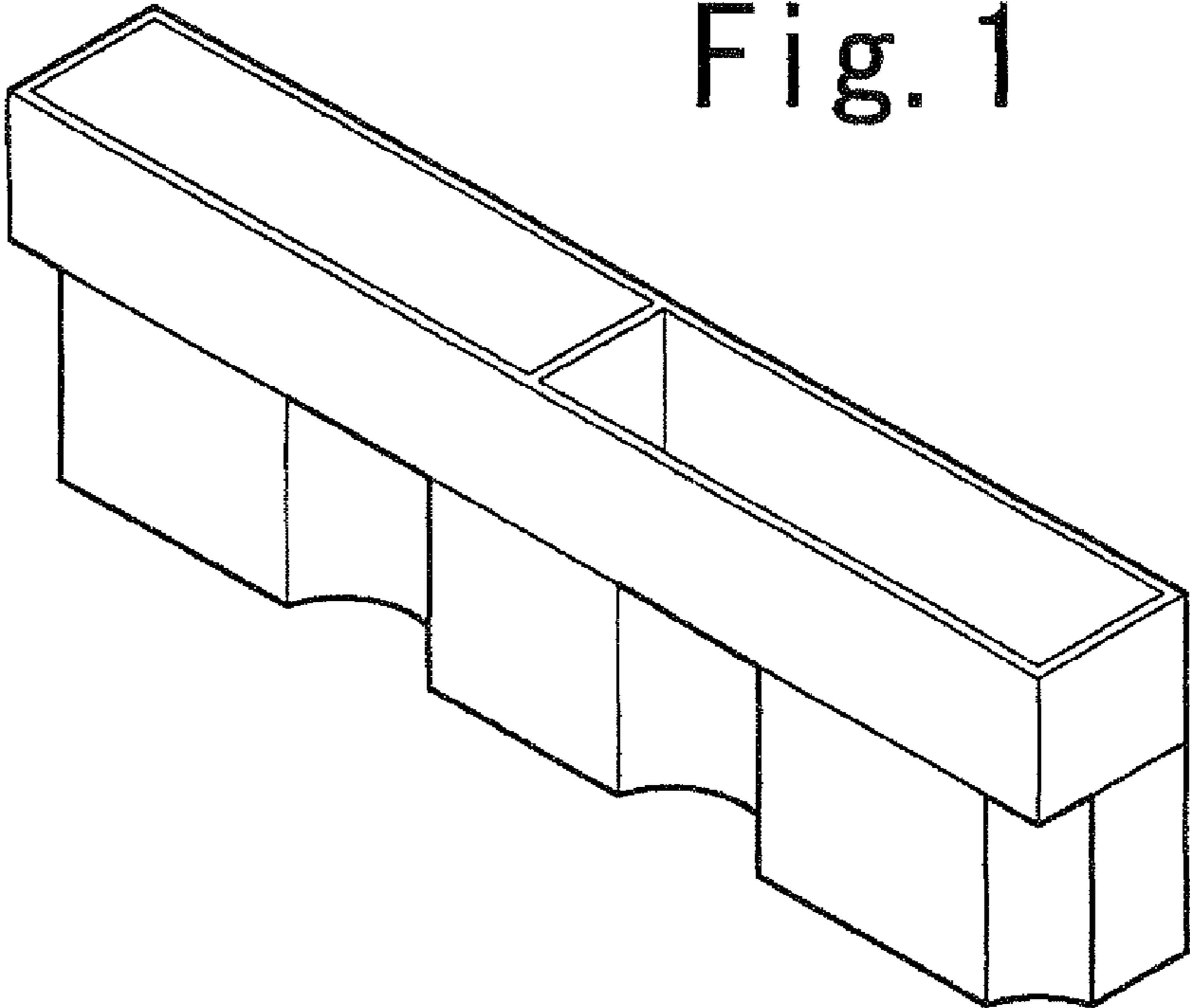


Fig. 2

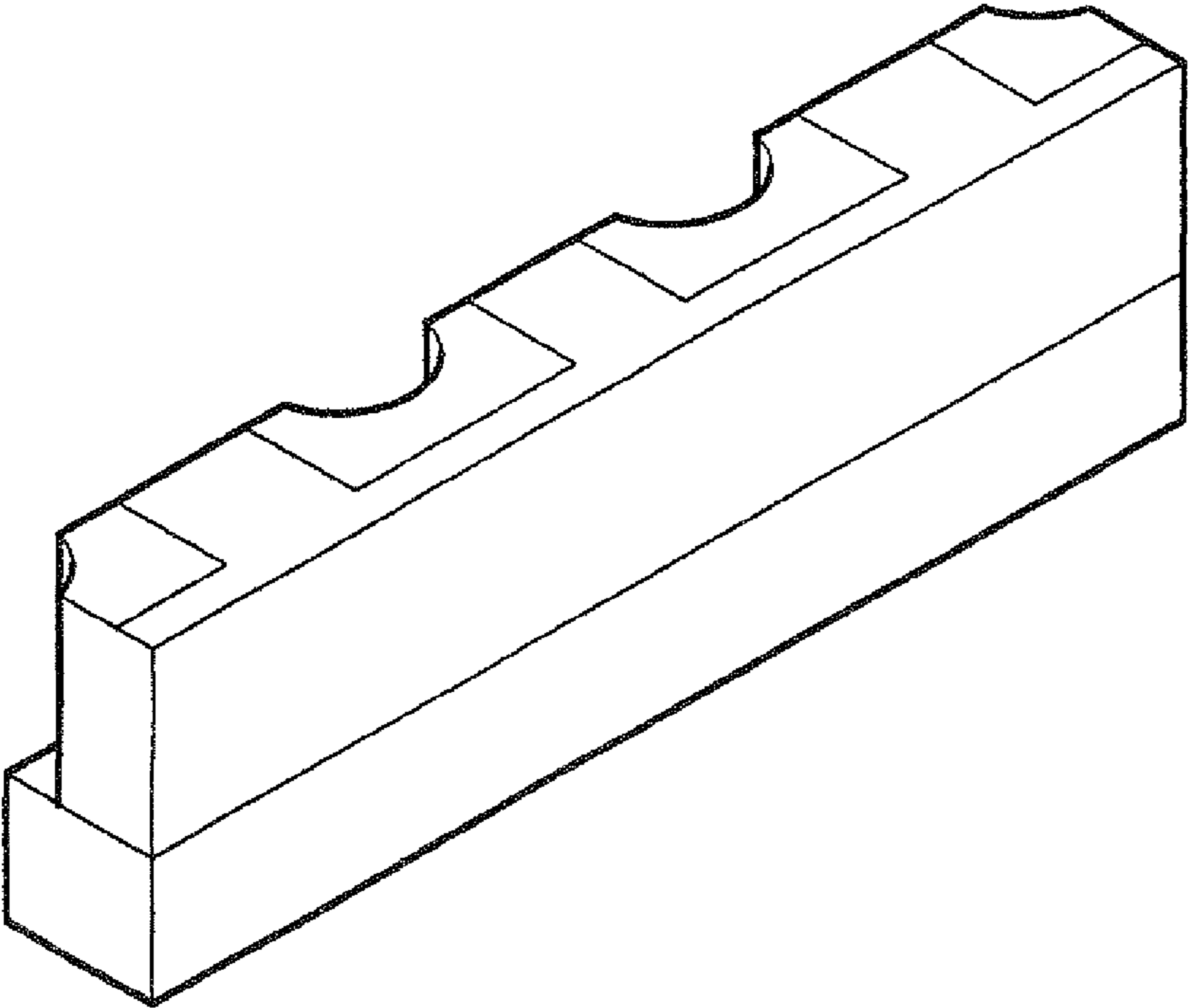


Fig. 3

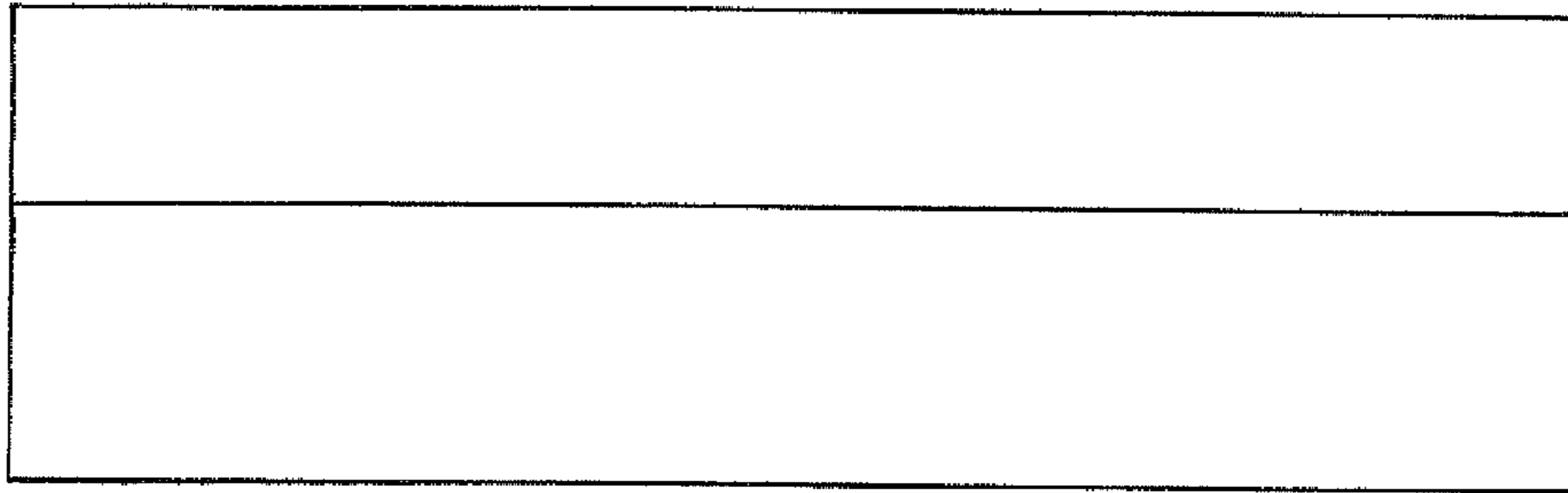


Fig. 4

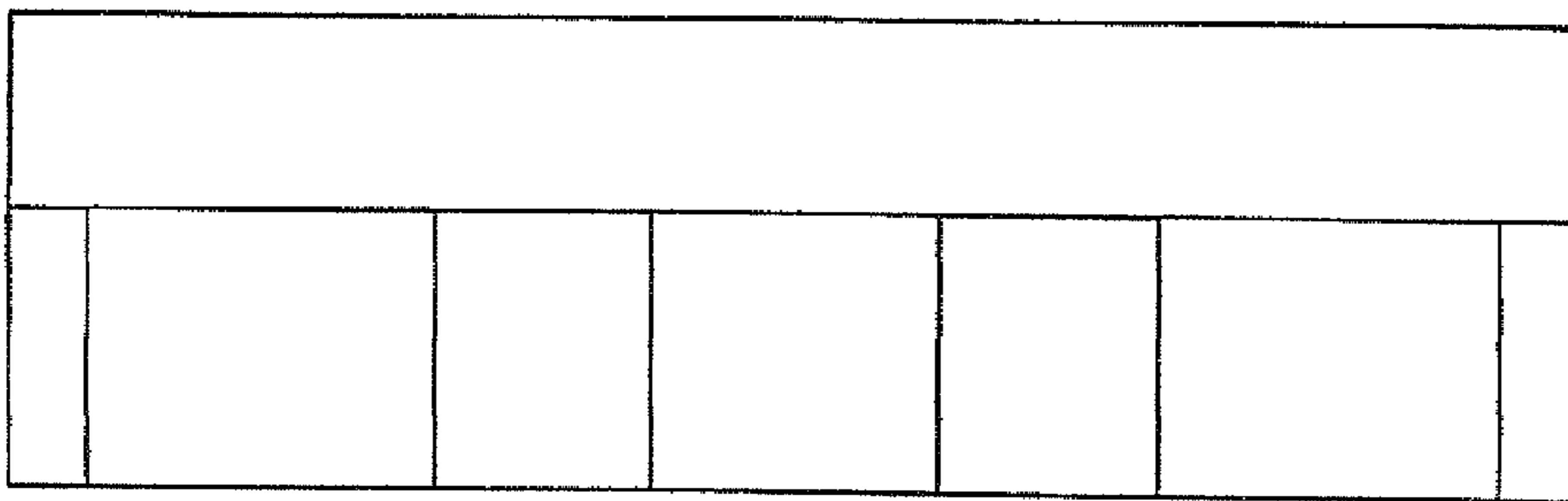


Fig. 5

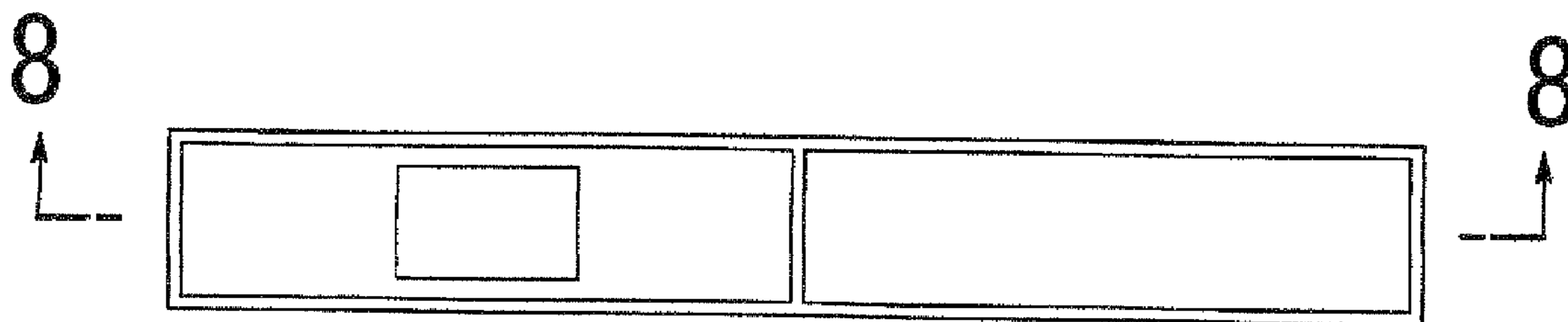


Fig. 6

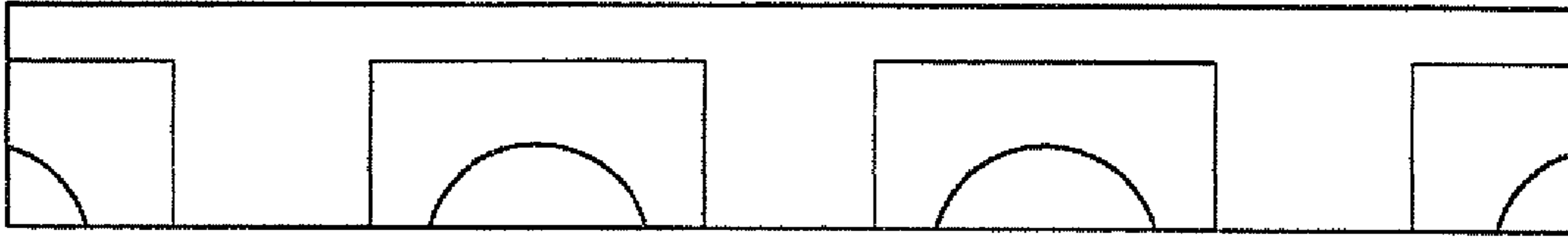


Fig. 7

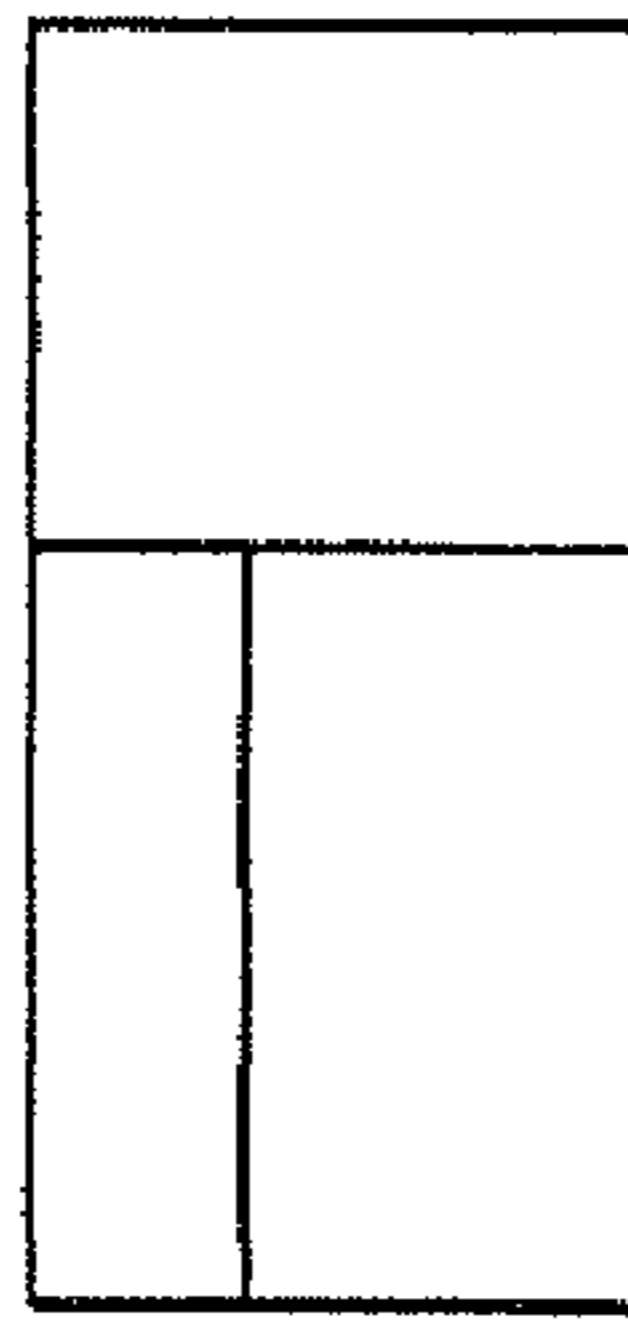


Fig. 8

