



US00D628165S

(12) **United States Design Patent**
Perham

(10) **Patent No.:** **US D628,165 S**

(45) **Date of Patent:** **** Nov. 30, 2010**

(54) **ELECTRODE EDGE STRIP OF INDETERMINATE LENGTH**

D558,691 S * 1/2008 Perham D13/173

(75) Inventor: **Owen Perham**, Hallam (AU)

* cited by examiner

(73) Assignee: **Icon Plastics Pty Ltd**, Hallam Victoria (AU)

Primary Examiner—Daniel D Bui

(74) *Attorney, Agent, or Firm*—Roylance, Abrams, Berdo & Goodman LLP

(**) Term: **14 Years**

(57) **CLAIM**

(21) Appl. No.: **29/347,752**

An electrode edge strip of indeterminate length, as shown in the attached representations.

(22) Filed: **May 12, 2010**

(30) **Foreign Application Priority Data**

DESCRIPTION

Nov. 13, 2009 (AU) 14466/2009

FIG. 1 is a perspective view of an electrode edge strip of indeterminate length, showing my new design, with locking strip disengaged;

(51) **LOC (9) Cl.** **13-03**

(52) **U.S. Cl.** **D13/155**

(58) **Field of Classification Search** D13/155, D13/156, 184; D8/354–356, 360.1; D14/256, D14/299; 439/207–211, 445–447

FIG. 2 is a perspective view thereof, with locking strip engaged;

FIG. 3 is an end view thereof, with locking strip disengaged; and,

See application file for complete search history.

FIG. 4 is an end view thereof, with locking strip engaged.

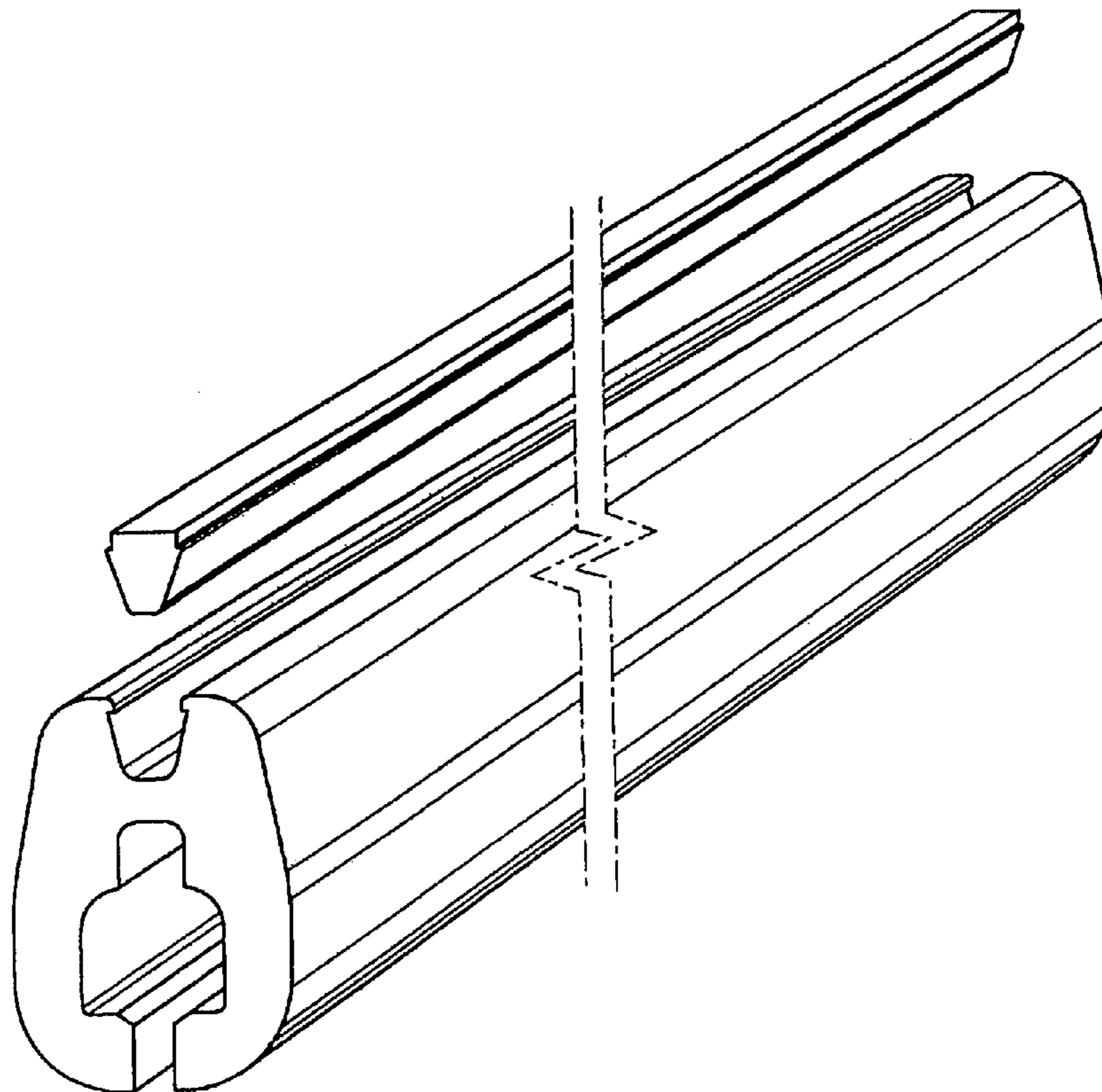
(56) **References Cited**

The electrode edge strip of indeterminate length is shown broken away in FIGS. 1 and 2 of the drawings to indicate indeterminate length, it being understood that it has a uniform shape and appearance through out its length.

U.S. PATENT DOCUMENTS

- D314,757 S * 2/1991 Gecchelin D13/155
- D335,284 S * 5/1993 McIlwraith D13/184
- D389,460 S * 1/1998 Wei-Hong D13/155

1 Claim, 4 Drawing Sheets



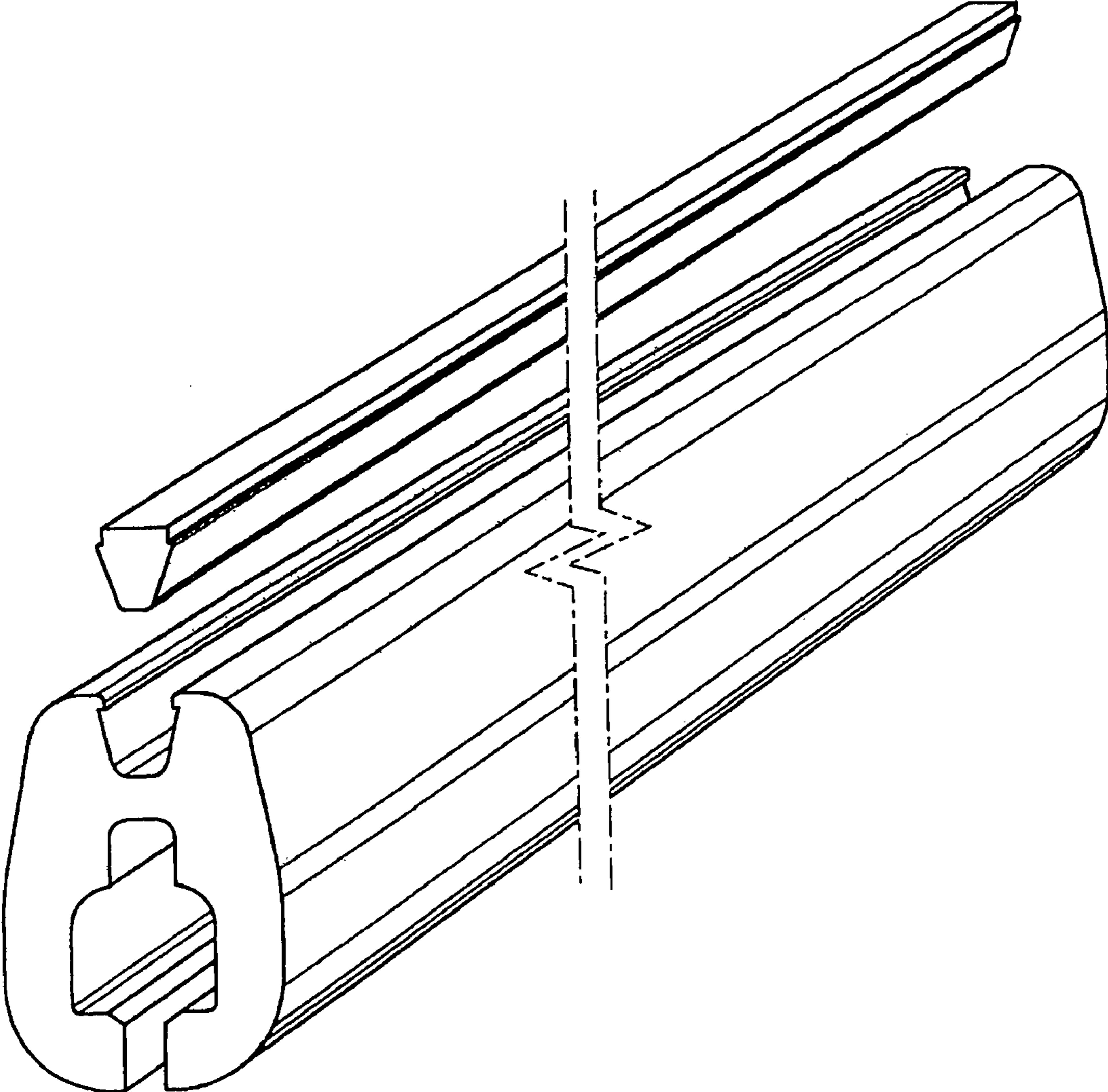


Figure 1

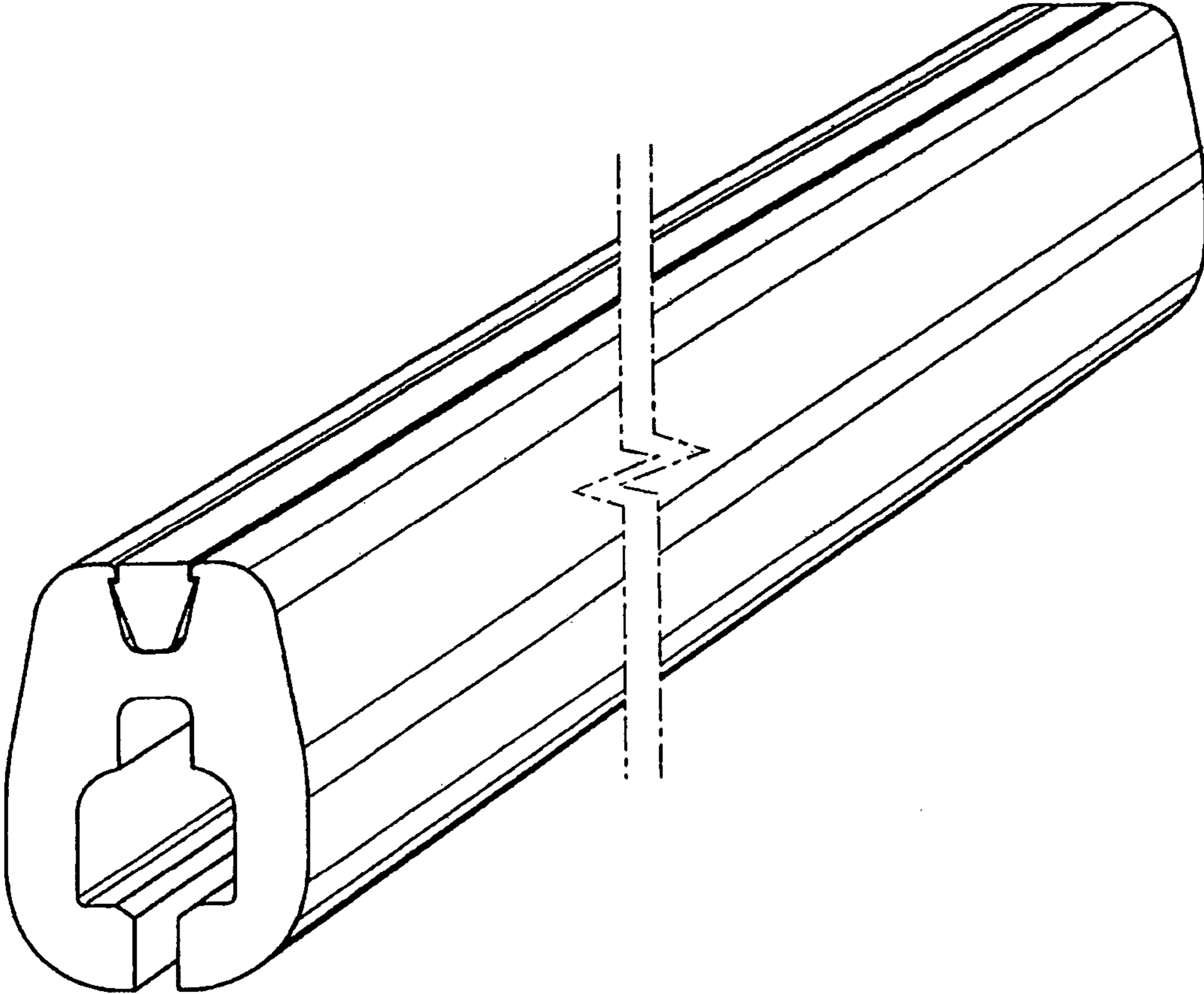


Figure 2

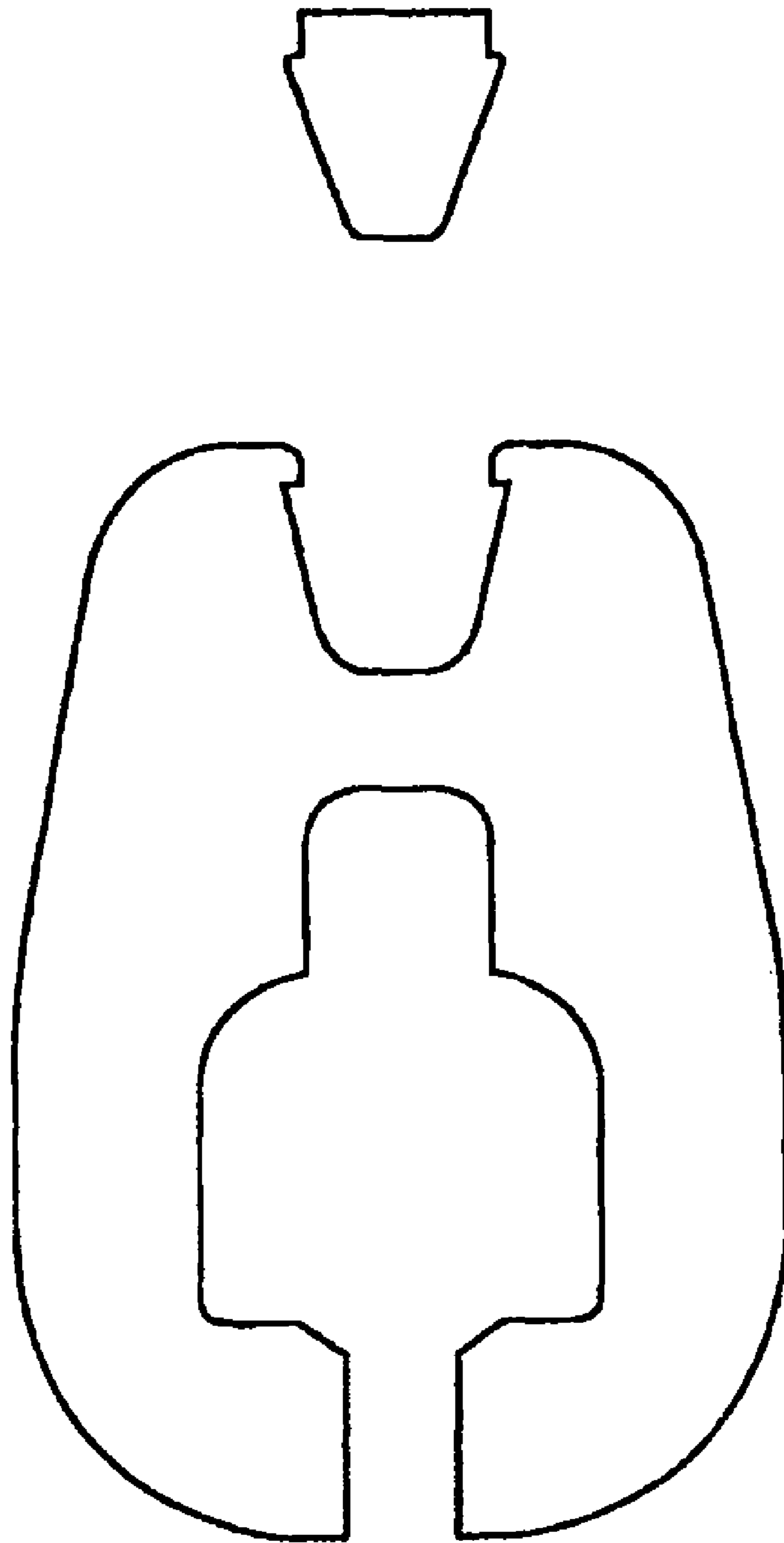


Figure 3

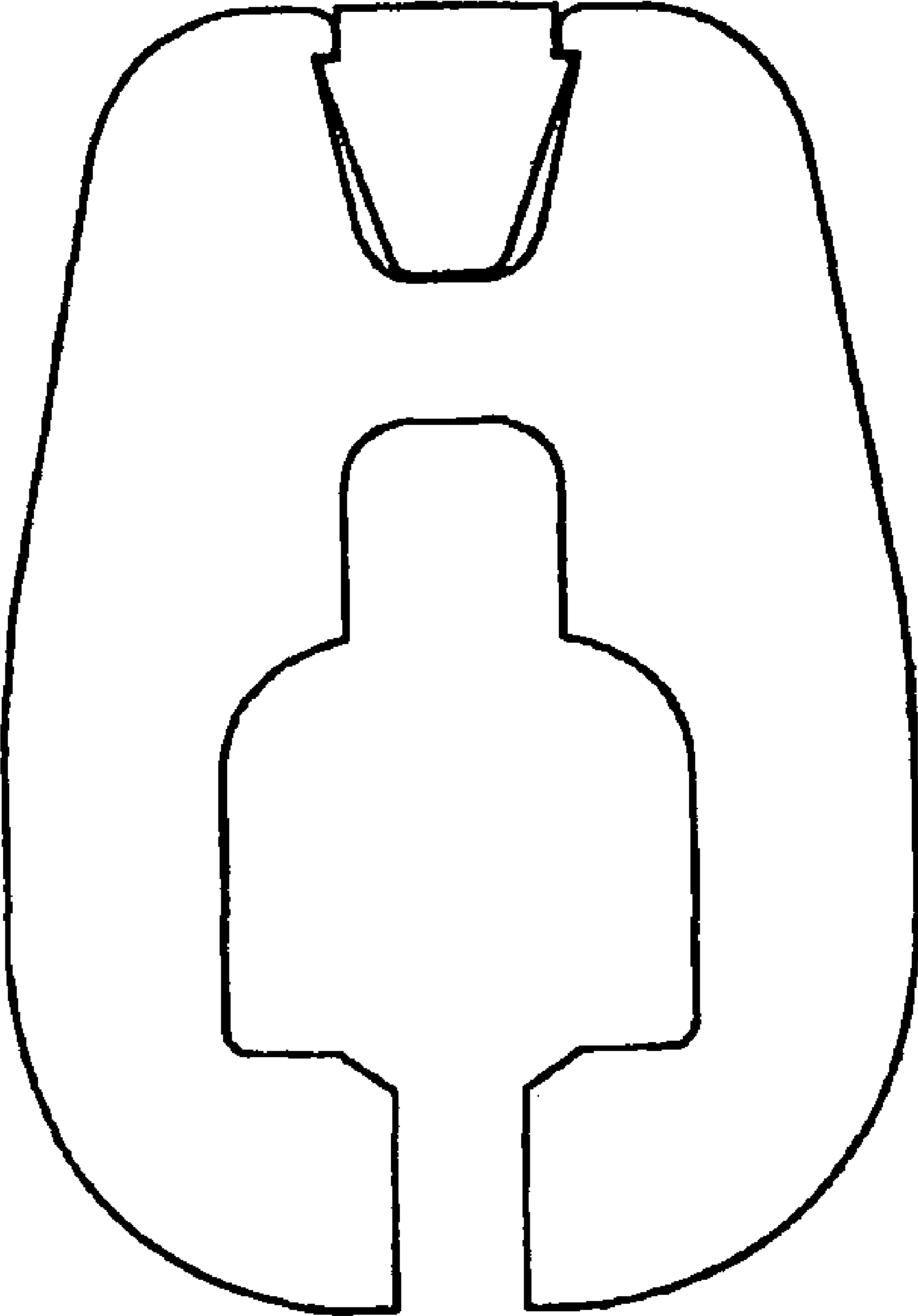


Figure 4