



US00D628164S

(12) **United States Design Patent**
Mashima

(10) **Patent No.:** **US D628,164 S**

(45) **Date of Patent:** **** Nov. 30, 2010**

(54) **ELECTRIC CONNECTOR**

(75) Inventor: **Hiroki Mashima**, Machida (JP)

(73) Assignee: **I-PEX Co., Ltd.**, Machida-shi (JP)

(**) Term: **14 Years**

(21) Appl. No.: **29/359,142**

(22) Filed: **Apr. 6, 2010**

(51) **LOC (9) Cl.** **13-03**

(52) **U.S. Cl.** **D13/147**

(58) **Field of Classification Search** D13/133,
D13/147, 154, 184; 439/260, 492-495, 607.04,
439/607.05, 607.17, 607.25, 607.34, 607.41,
439/607.53, 637, 660, 680

See application file for complete search history.

(56) **References Cited**

U.S. PATENT DOCUMENTS

D444,130	S	*	6/2001	Hayashi et al.	D13/147
D590,777	S	*	4/2009	Tanaka	D13/147
D608,290	S	*	1/2010	Ikari	D13/147
D609,648	S	*	2/2010	Kai et al.	D13/147
D613,696	S	*	4/2010	Takemoto	D13/147
D617,280	S	*	6/2010	Yotsutani	D13/147

FOREIGN PATENT DOCUMENTS

JP	D1248447	8/2005
JP	D1290087	12/2006
JP	D1311017	9/2007
JP	D1311193	9/2007
JP	D1329986	5/2008

OTHER PUBLICATIONS

U.S. Appl. No. 29/359,142, filed Apr. 6, 2010, Mashima.

U.S. Appl. No. 29/359,139, filed Apr. 6, 2010, Mashima.

* cited by examiner

Primary Examiner—Daniel D Bui

(74) *Attorney, Agent, or Firm*—Oblon, Spivak, McClelland, Maier & Neustadt, L.L.P.

(57) **CLAIM**

The ornamental design for an electric connector, as shown and described.

DESCRIPTION

FIG. 1 is a front view of an electric connector showing my new design;

FIG. 2 is a top view thereof;

FIG. 3 is a rear view thereof;

FIG. 4 is a bottom view thereof;

FIG. 5 is a left side view thereof;

FIG. 6 is a cross-sectional view thereof, on an enlarged scale, taken along line 6—6 in FIG. 1;

FIG. 7 is a rear, top and left side perspective view thereof;

FIG. 8 is a rear, bottom and left side perspective view thereof;

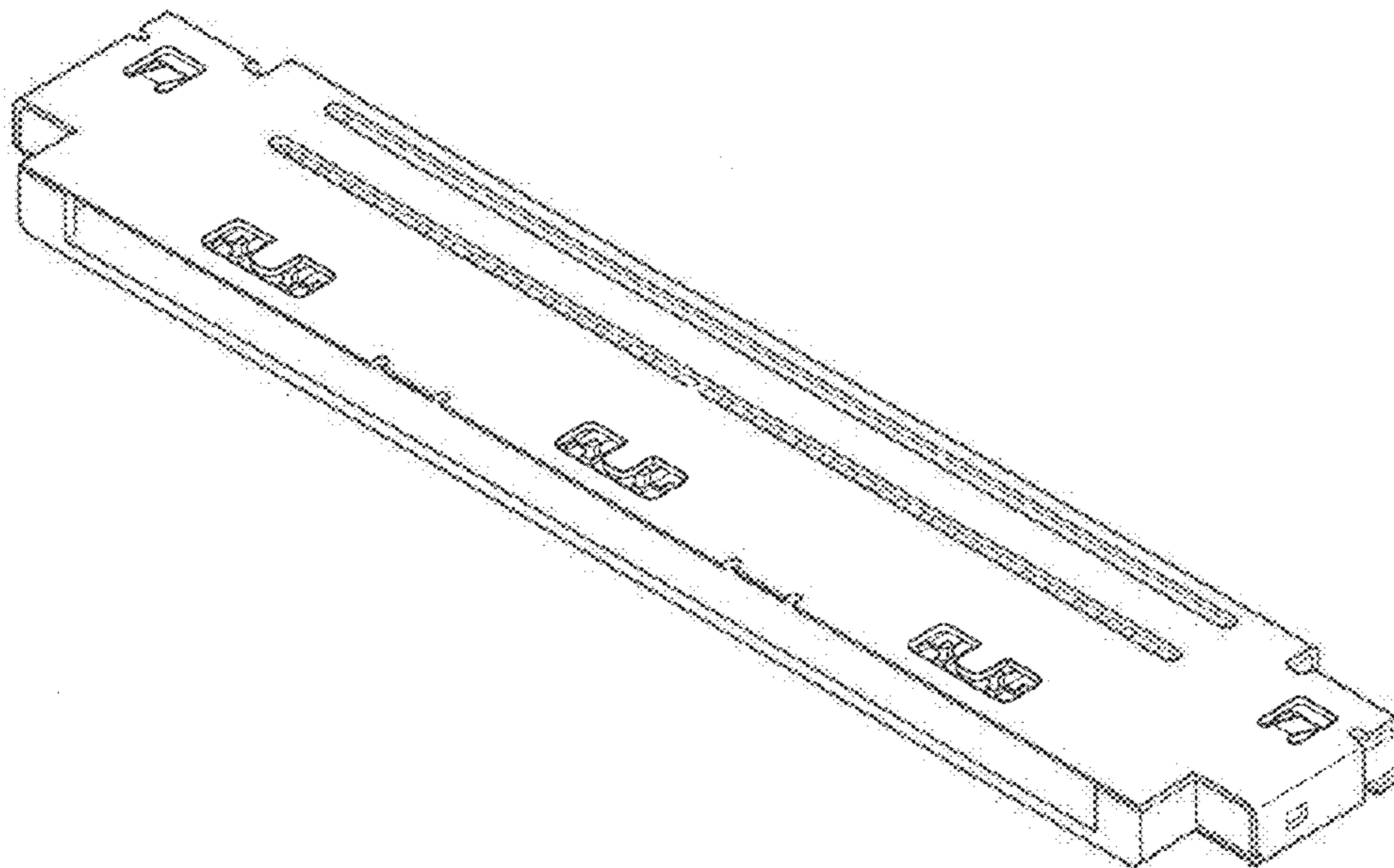
FIG. 9 is a rear, top and left side perspective view thereof, in use condition with a cable; and,

FIG. 10 is a rear, bottom and left side perspective view thereof, in use condition with a cable.

Since a right side view appears identically to a left side view, it is omitted.

The broken line shown in the drawings is included for the purpose of illustrating environmental structure and forms no part of the claimed design.

1 Claim, 9 Drawing Sheets



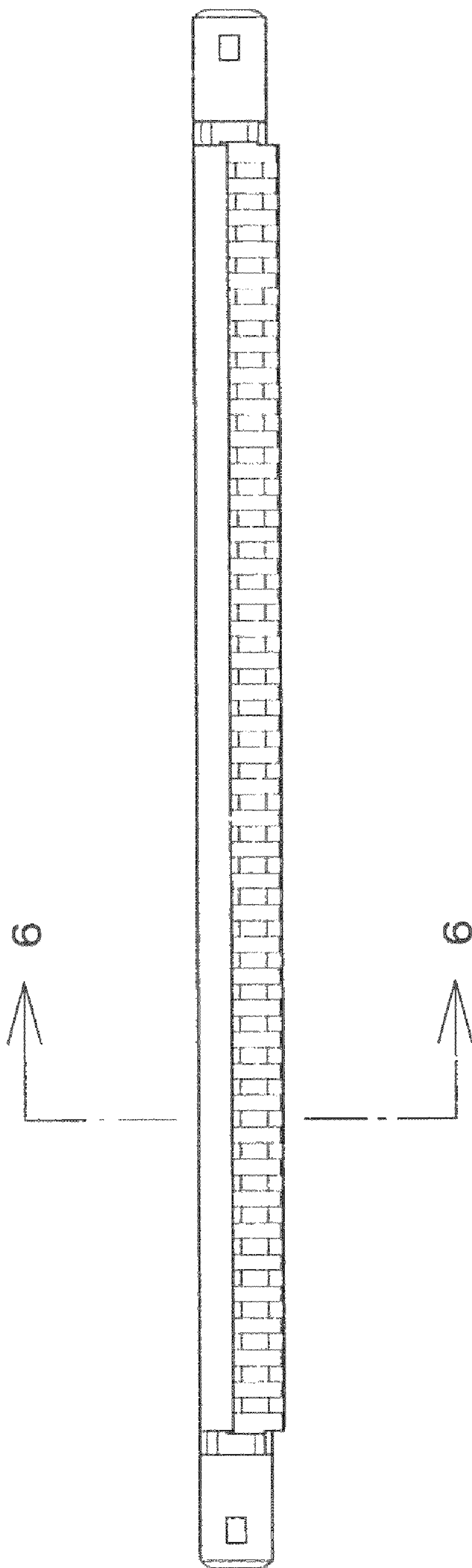


FIG. 1

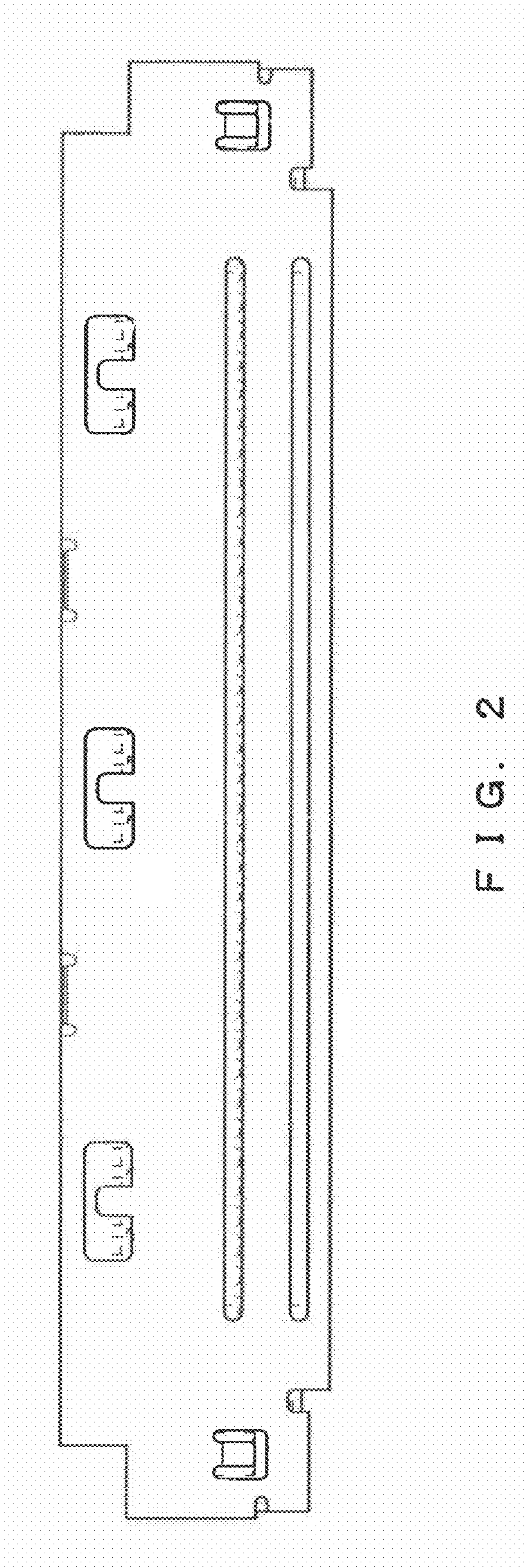


FIG. 2

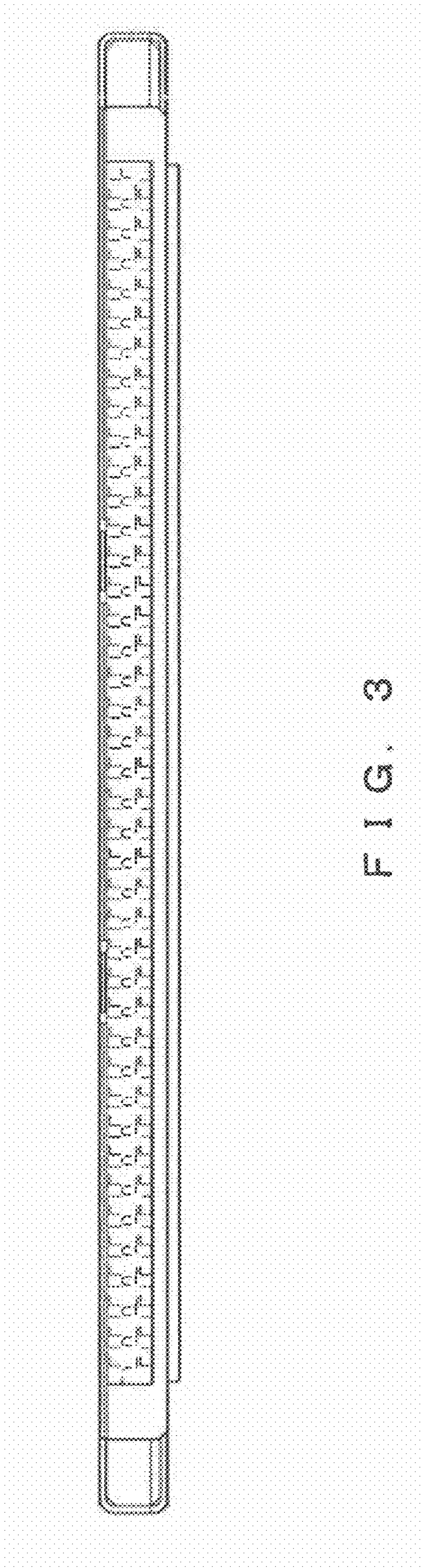


FIG. 3

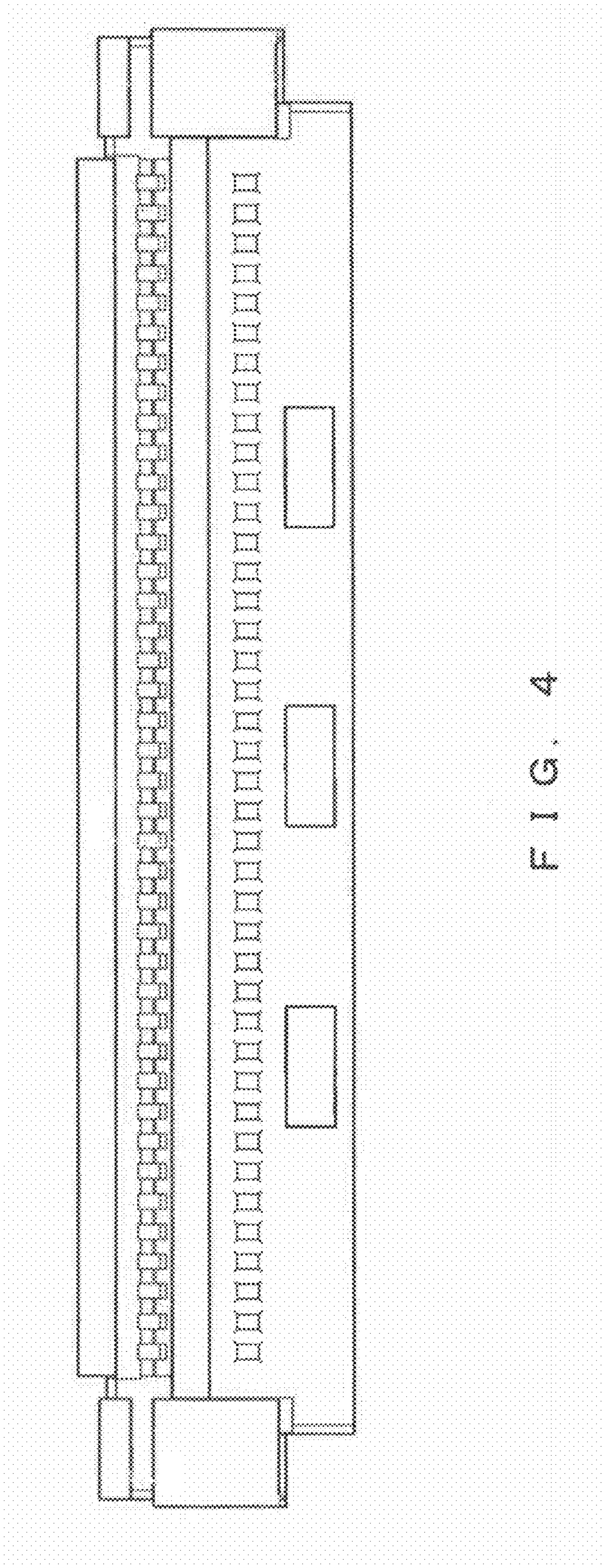


FIG. 4

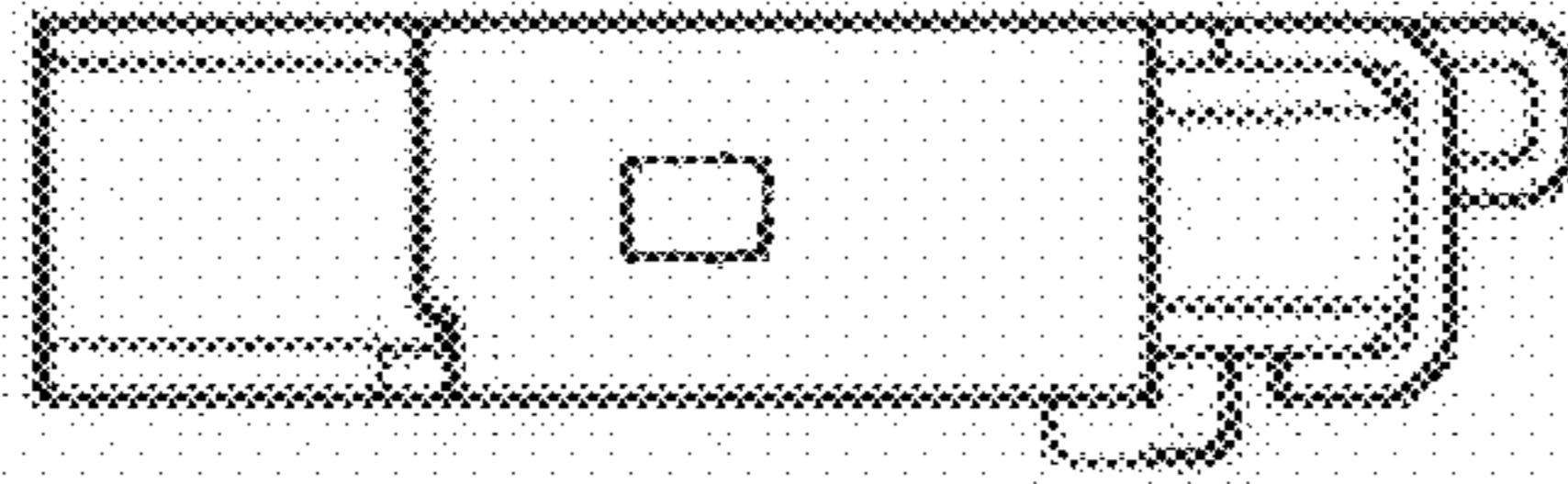


FIG. 5

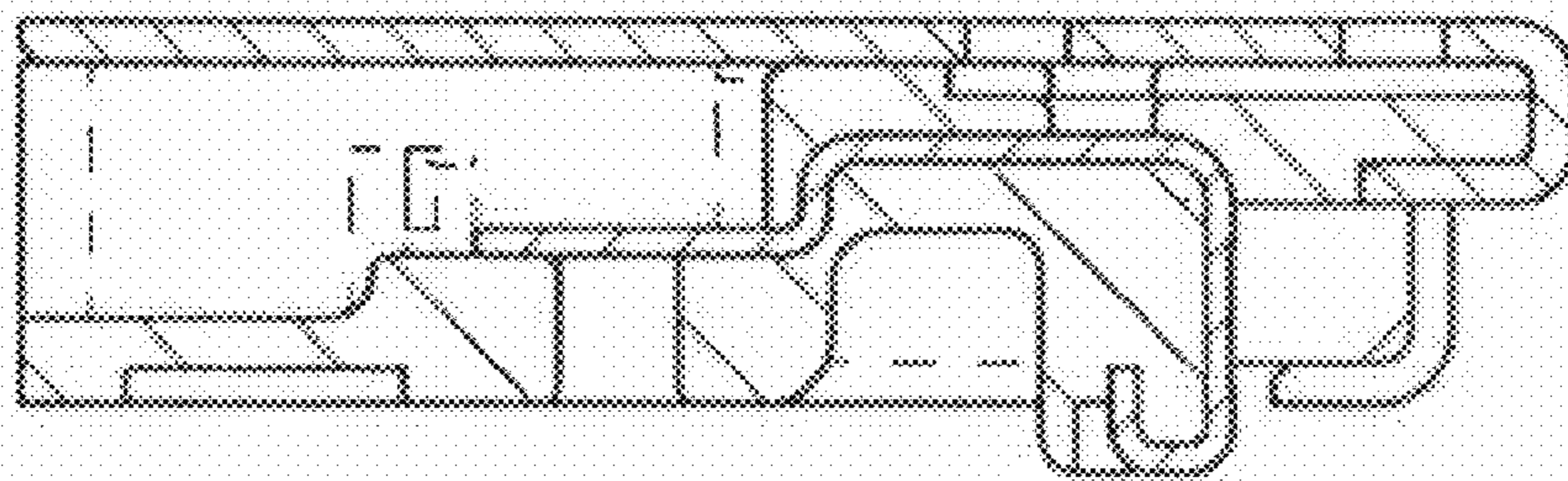


FIG. 6

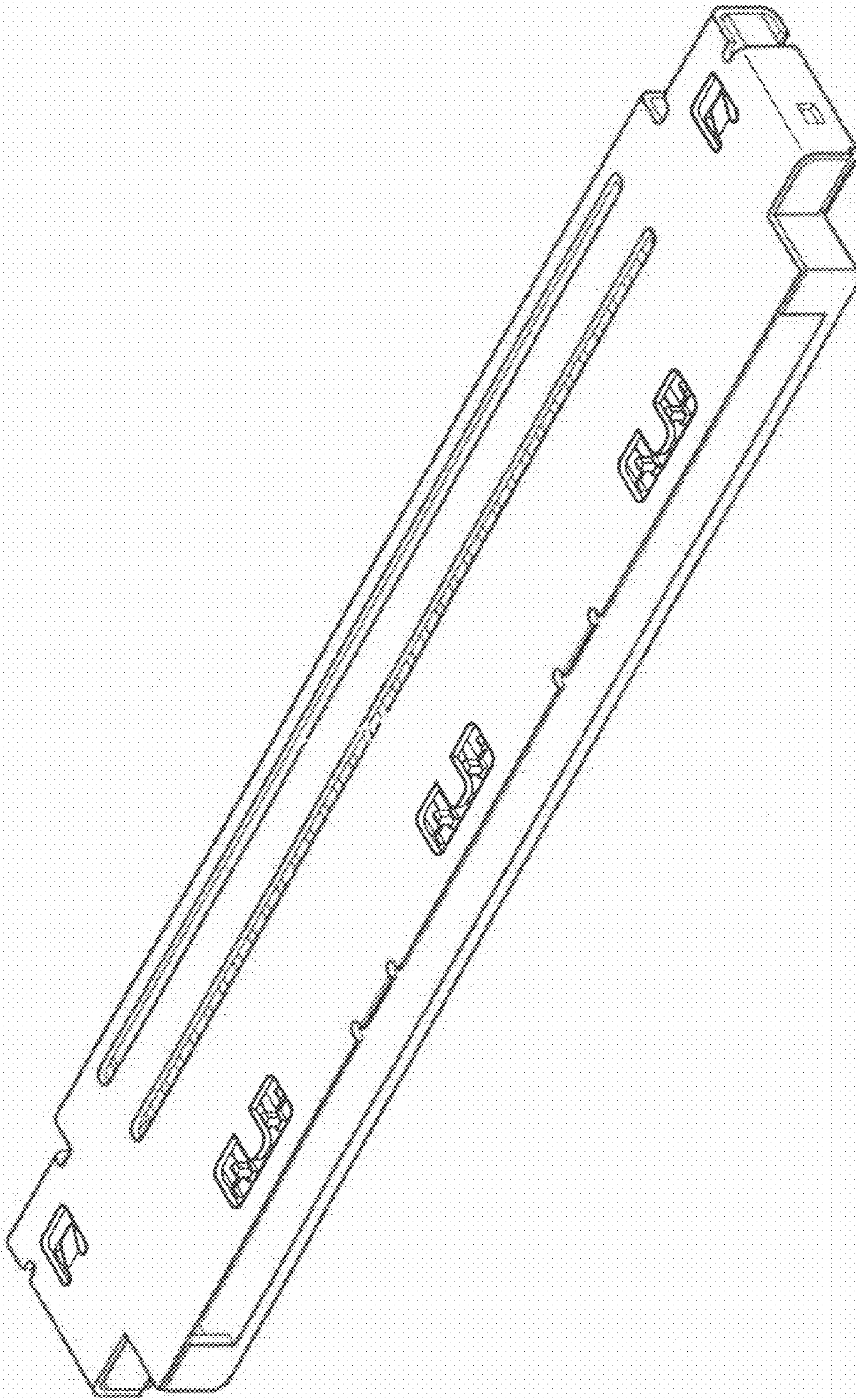


FIG. 7

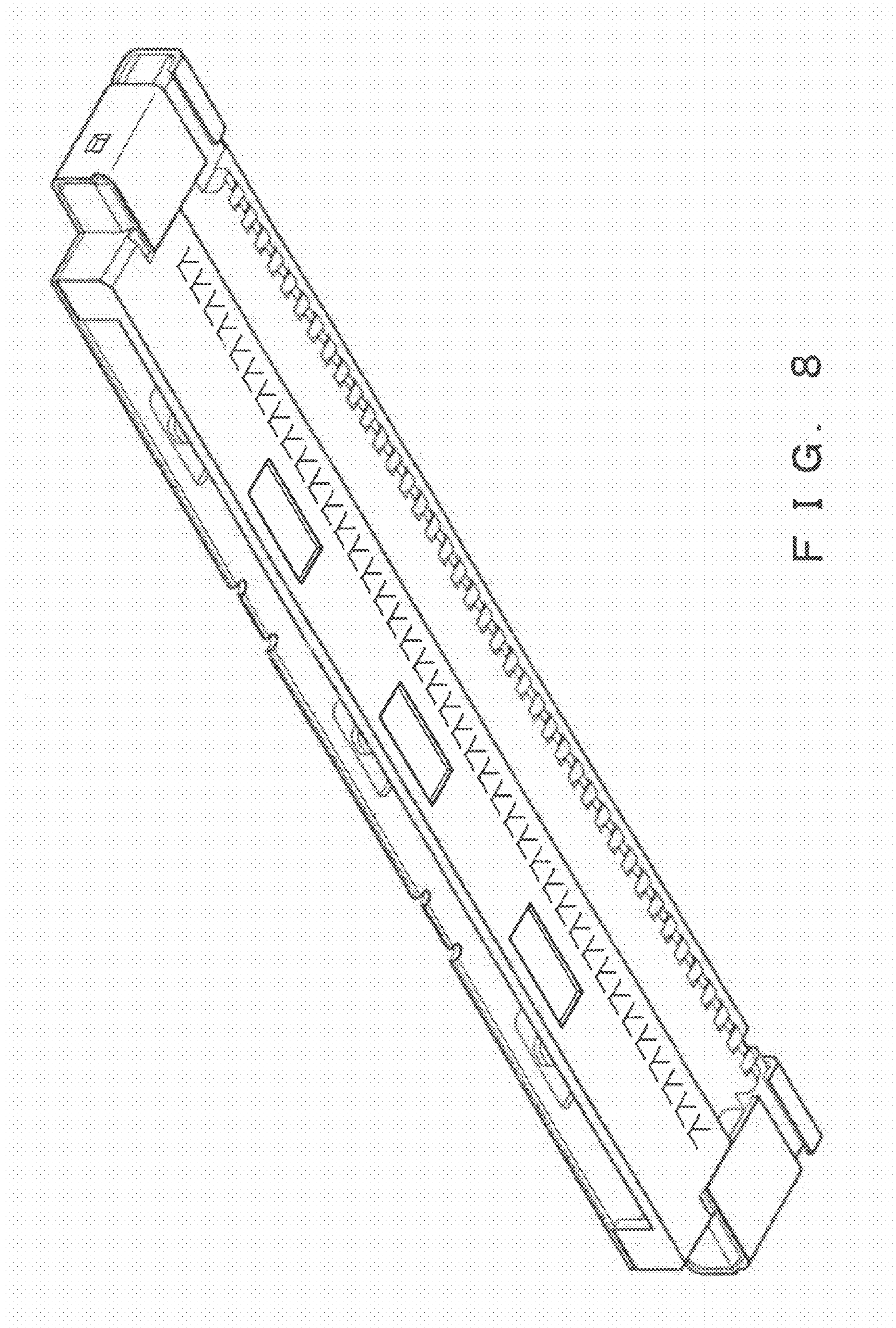


FIG. 8

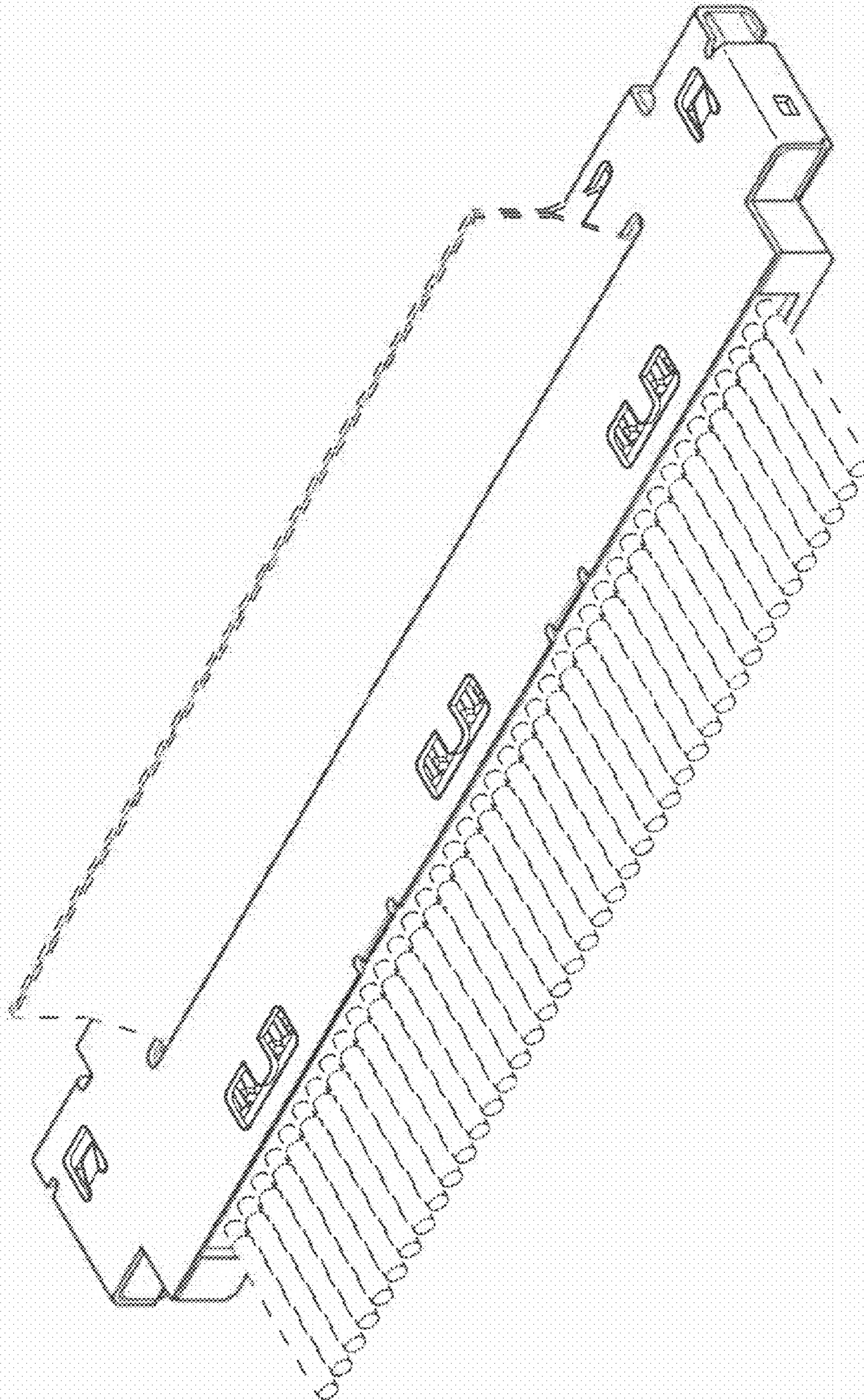


FIG. 9

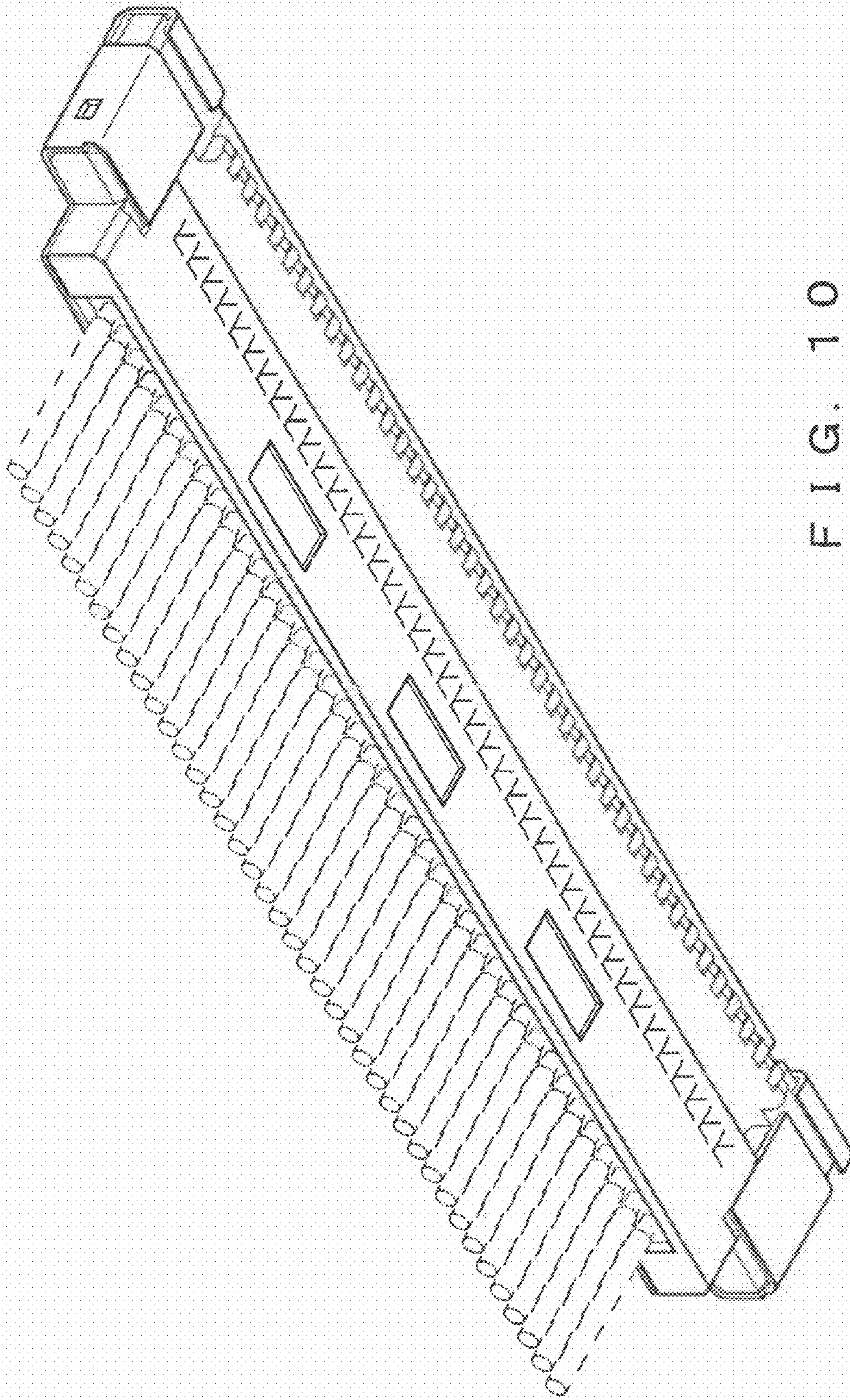


FIG. 10

UNITED STATES PATENT AND TRADEMARK OFFICE
CERTIFICATE OF CORRECTION

PATENT NO. : D628,164 S
APPLICATION NO. : 29/359142
DATED : November 30, 2010
INVENTOR(S) : Hiroki Mashima

Page 1 of 1

It is certified that error appears in the above-identified patent and that said Letters Patent is hereby corrected as shown below:

On the title page, Item (30), the Foreign Application Priority Data should read:

-- (30) **Foreign Application Priority Data**

Oct. 16, 2009 (JP) 2009-024303 --

Signed and Sealed this
Twenty-second Day of November, 2011



David J. Kappos
Director of the United States Patent and Trademark Office