



US00D628161S

(12) **United States Design Patent**
Arai et al.

(10) **Patent No.:** **US D628,161 S**
(45) **Date of Patent:** **** *Nov. 30, 2010**

- (54) **ELECTRICAL CONNECTOR**
- (75) Inventors: **Junichi Arai**, Isesaki (JP); **Takao Asano**, Isesaki (JP)
- (73) Assignee: **Hosiden Corporation**, Osaka (JP)
- (*) Notice: This patent is subject to a terminal disclaimer.
- (**) Term: **14 Years**
- (21) Appl. No.: **29/354,224**
- (22) Filed: **Jan. 21, 2010**

- D510,909 S 10/2005 Tsai
- D517,994 S 3/2006 Zhang et al.
- D522,970 S 6/2006 Toyota et al.
- D523,400 S 6/2006 Shang-Yen et al.
- D526,619 S 8/2006 Tsai
- D535,624 S 1/2007 Toyota et al.
- D539,744 S 4/2007 Hu et al.
- D548,191 S 8/2007 Arai et al.
- D552,037 S 10/2007 Imai
- D559,189 S 1/2008 Arai et al.
- D559,190 S 1/2008 Arai et al.
- D559,191 S 1/2008 Arai et al.

(Continued)

Related U.S. Application Data

- (62) Division of application No. 29/335,077, filed on Apr. 8, 2009, now Pat. No. Des. 611,424.

Foreign Application Priority Data

- (30) Oct. 14, 2008 (JP) 2008-026350
- Oct. 14, 2008 (JP) 2008-026351
- Oct. 14, 2008 (JP) 2008-026352
- Oct. 14, 2008 (JP) 2008-026353

- (51) **LOC (9) Cl.** **13-03**
 - (52) **U.S. Cl.** **D13/147**
 - (58) **Field of Classification Search** D13/146-147, D13/154, 184; 439/108, 476.1, 483, 527, 439/533, 892, 894
- See application file for complete search history.

References Cited

U.S. PATENT DOCUMENTS

- D452,847 S 1/2002 Shimojyo
- D478,320 S 8/2003 Suzuki et al.
- D482,002 S 11/2003 Suzuki et al.
- D482,331 S 11/2003 Suzuki et al.
- D490,234 S 5/2004 Masaki
- D509,190 S * 9/2005 Tsai D13/147
- D509,475 S 9/2005 Tsai
- D510,069 S 9/2005 Tsai

FOREIGN PATENT DOCUMENTS

- JP D1356994 3/2009

Primary Examiner—Daniel D Bui
(74) *Attorney, Agent, or Firm*—Rankin, Hill & Clark LLP

(57) **CLAIM**

The ornamental design for an electrical connector, as shown and described.

DESCRIPTION

FIG. 1 is a top, front, and right side perspective view of the electrical connector showing our new design;

FIG. 2 is a bottom, rear, and right side perspective view thereof;

FIG. 3 is a front elevation view thereof;

FIG. 4 is a rear elevation view thereof;

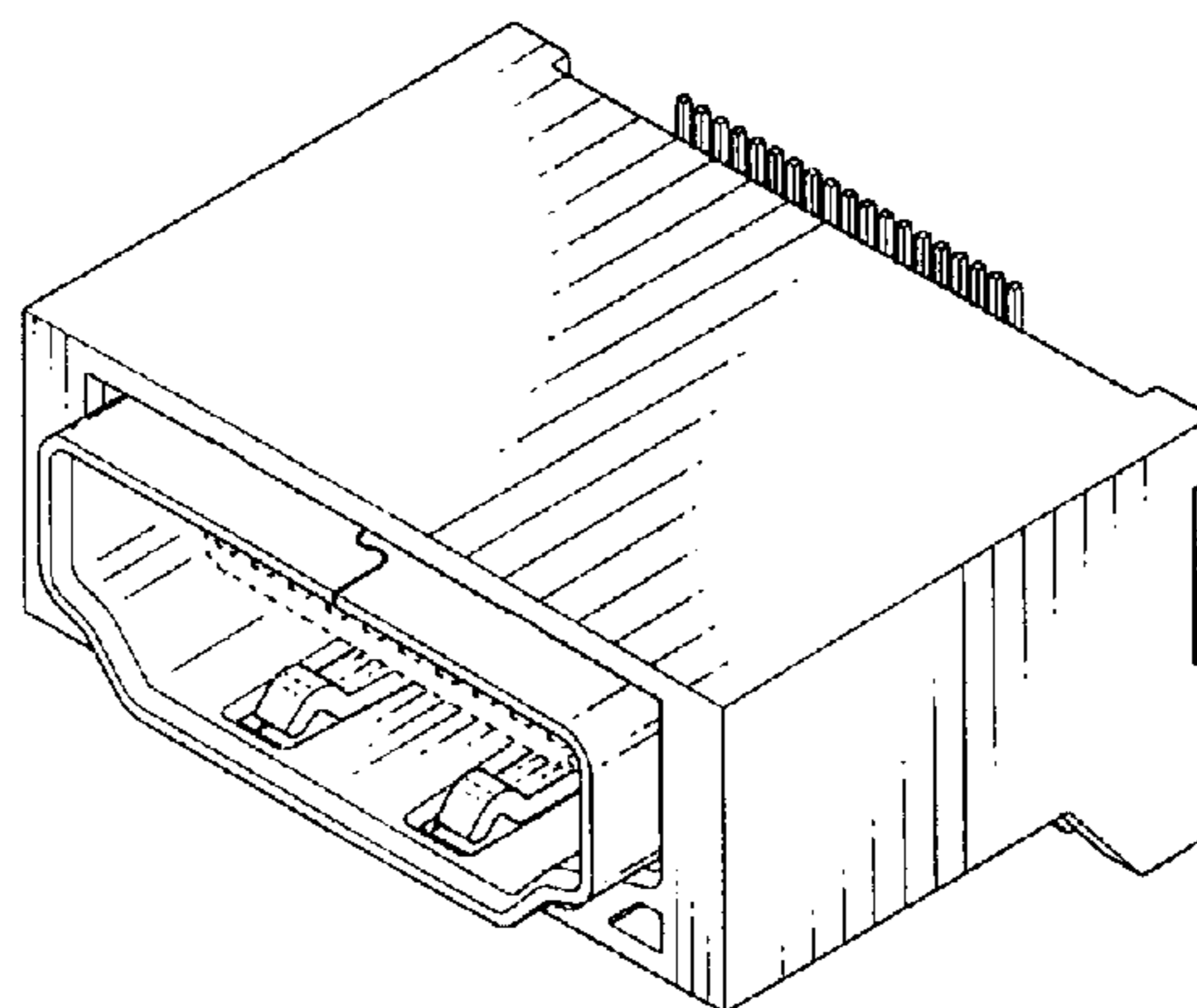
FIG. 5 is a left side elevation view thereof, a right side elevation view being a mirror image thereof;

FIG. 6 is a top plan view thereof; and,

FIG. 7 is a bottom plan view thereof.

The broken line portion of the figure drawings is included to show unclaimed subject matter only and forms no part of the claimed design.

1 Claim, 3 Drawing Sheets



US D628,161 S

Page 2

U.S. PATENT DOCUMENTS			
D559,192 S *	1/2008	Arai et al.	D13/147
D591,685 S	5/2009	Hung et al.	
D602,872 S *	10/2009	Arai et al.	D13/147
D604,700 S *	11/2009	Asano	D13/147
D607,408 S *	1/2010	Masumoto et al.	D13/147
D611,424 S *	3/2010	Arai et al.	D13/147
2005/0227543 A1	10/2005	Masumoto et al.	
			* cited by examiner

Fig. 1

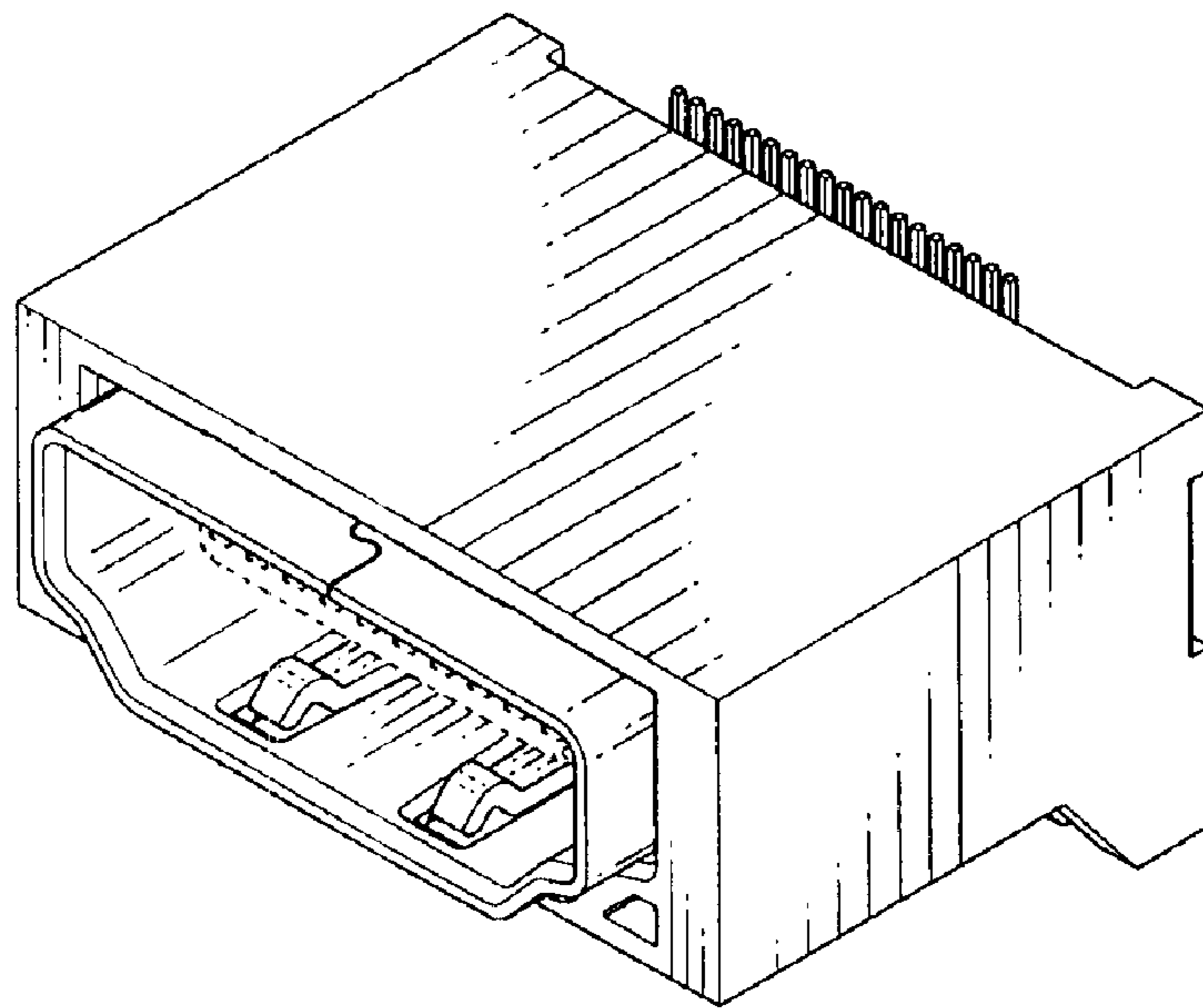


Fig. 2

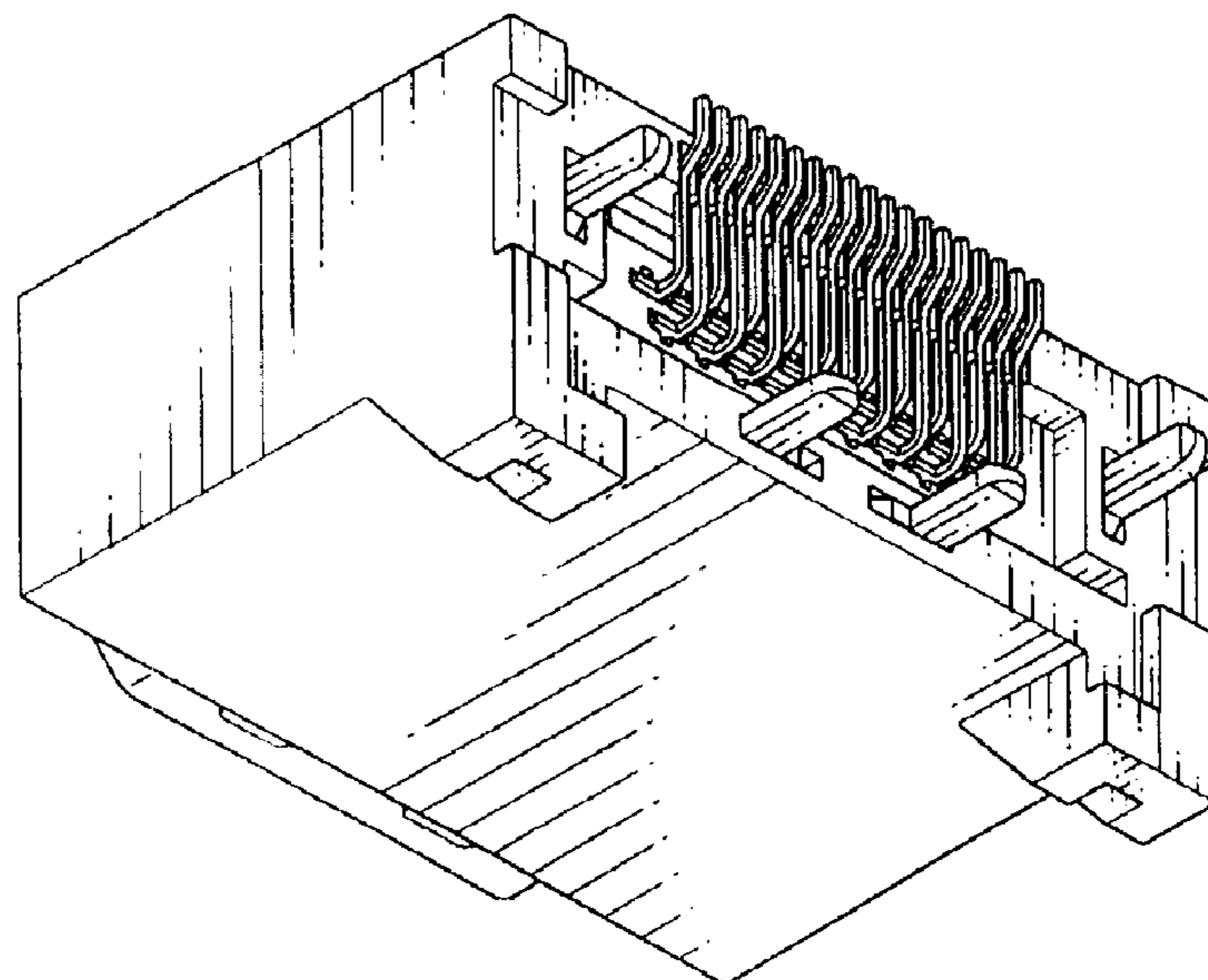


Fig. 3

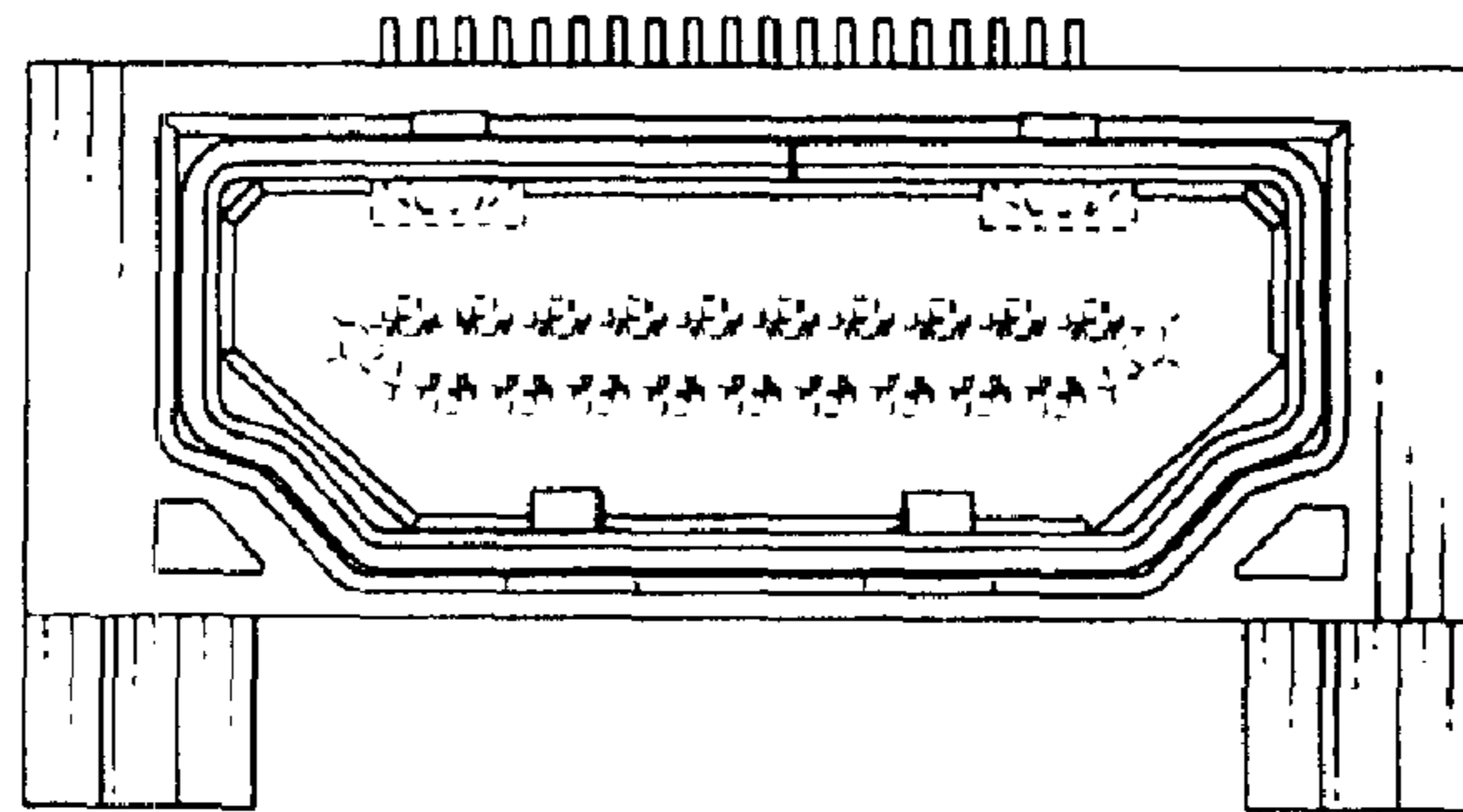


Fig. 4

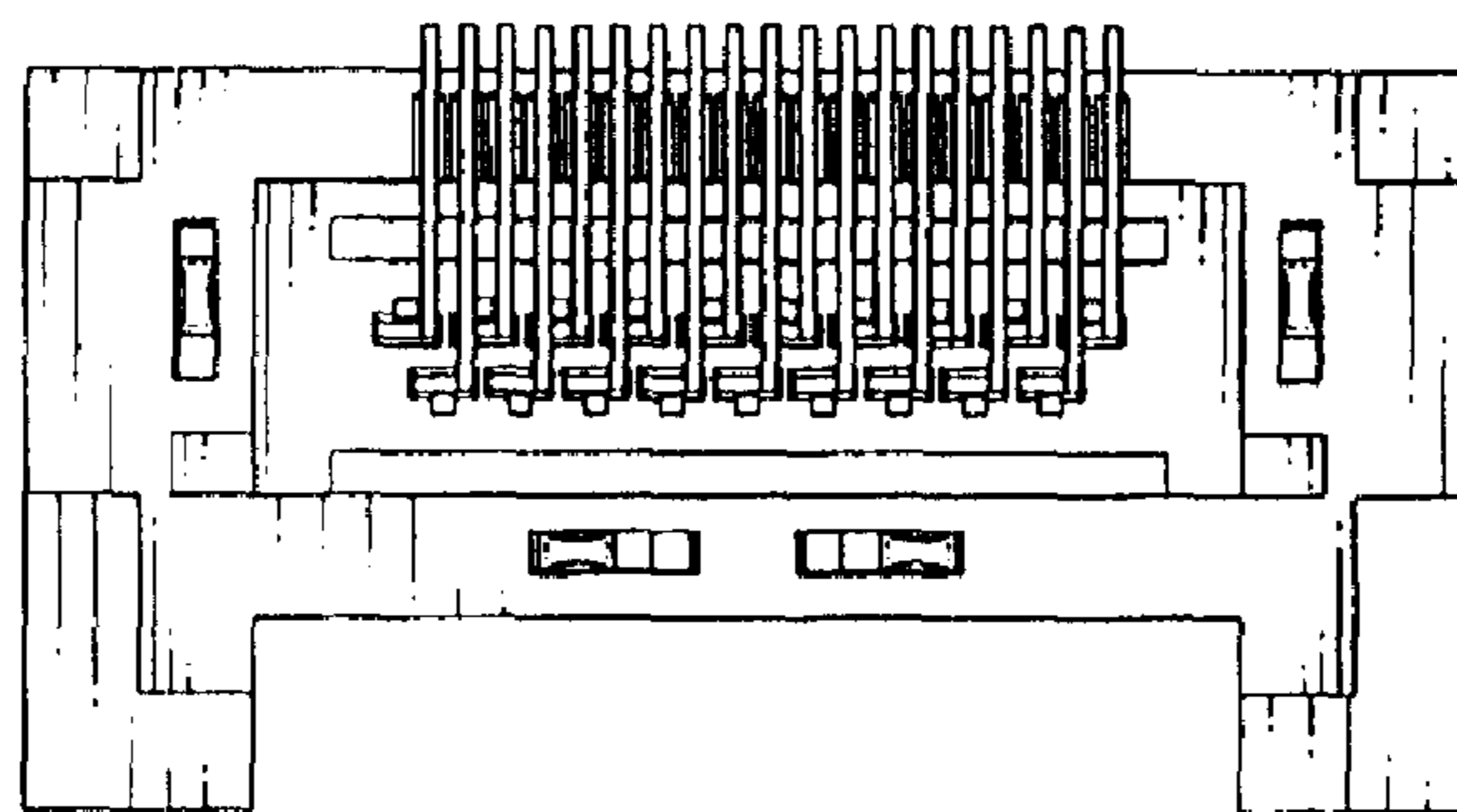


Fig. 5

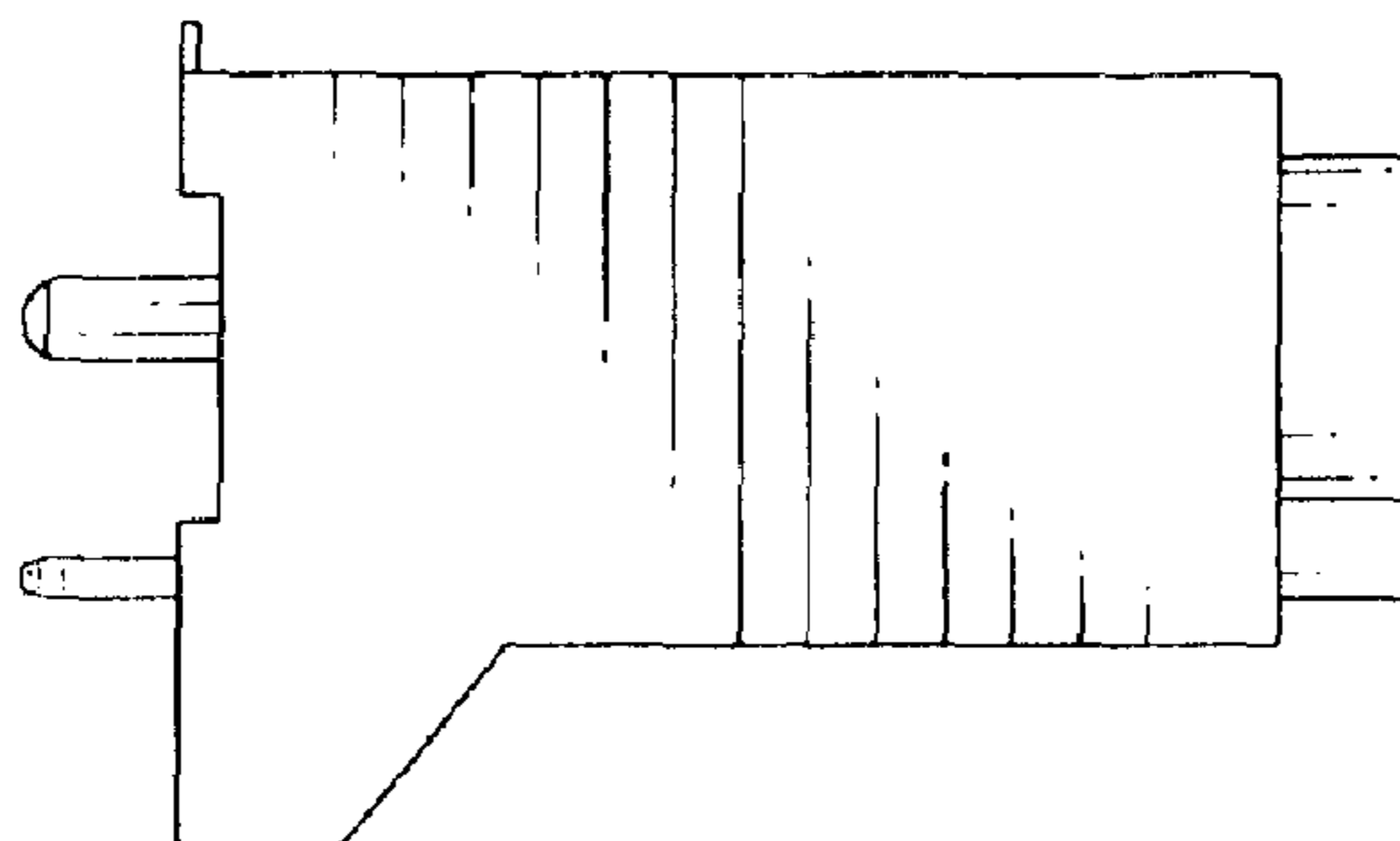


Fig. 6

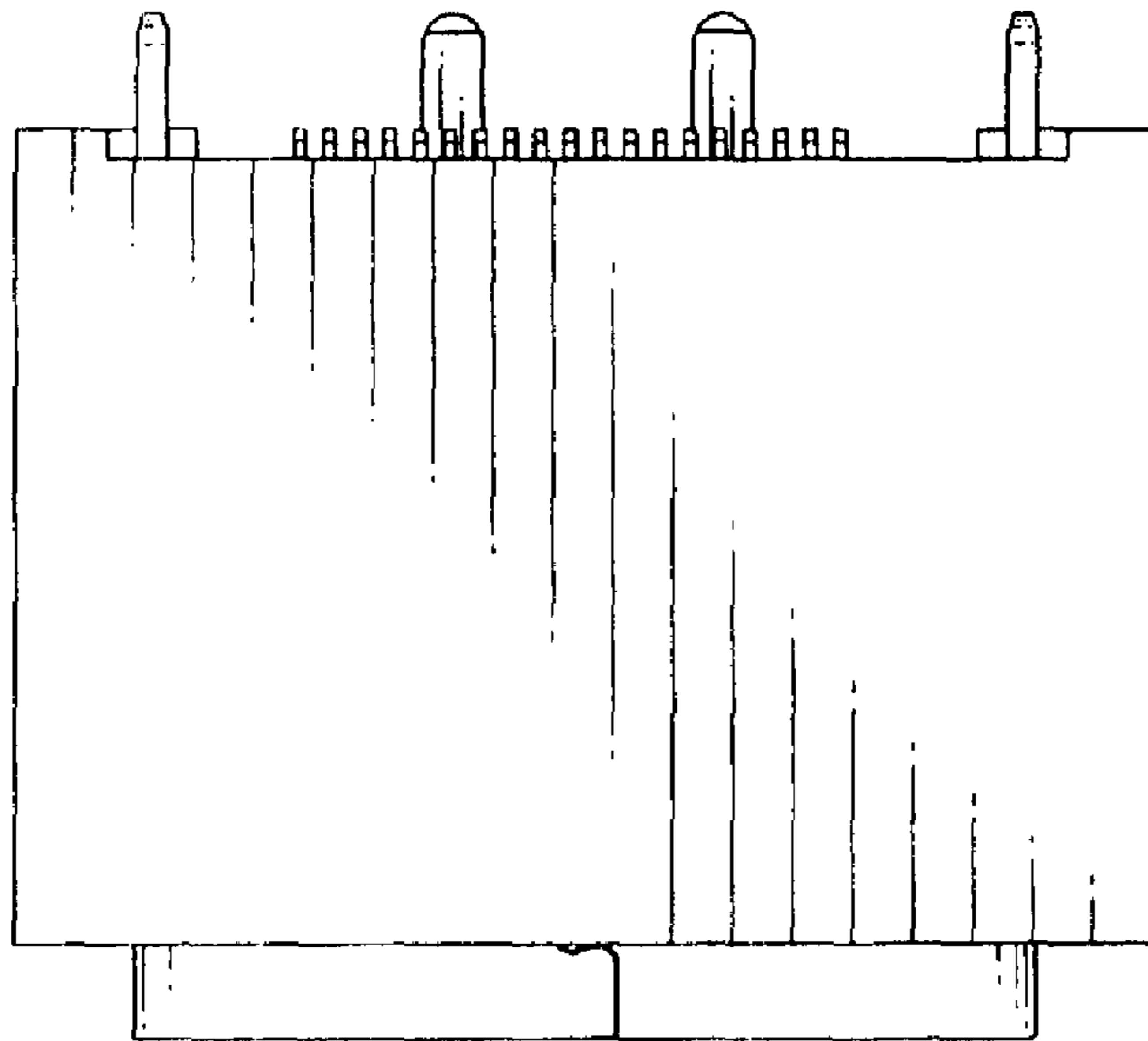


Fig. 7

