



US00D628160S

(12) **United States Design Patent**
Nanao et al.

(10) **Patent No.:** **US D628,160 S**

(45) **Date of Patent:** **** Nov. 30, 2010**

(54) **ELECTRICAL CONNECTOR**

(75) Inventors: **Shingo Nanao**, Tokyo (JP); **Yasufumi Yahiro**, Tokyo (JP); **Masayuki Kikuchi**, Tokyo (JP); **Keizo Kai**, Tokyo (JP); **Kazushi Kamata**, Hirosaki (JP)

(73) Assignee: **Japan Aviation Electronics Industry, Limited**, Tokyo (JP)

(**) Term: **14 Years**

(21) Appl. No.: **29/349,301**

(22) Filed: **Mar. 23, 2010**

(30) **Foreign Application Priority Data**

Oct. 7, 2009 (JP) 2009-023544

(51) **LOC (9) Cl.** **13-03**

(52) **U.S. Cl.** **D13/147**

(58) **Field of Classification Search** D13/147,
D13/154, 156, 184; 439/159-160, 260, 325,
439/329, 395, 492, 495, 607.01, 607.04,
439/607.05, 607.17, 607.25, 607.34, 607.41,
439/607.53, 630

See application file for complete search history.

(56) **References Cited**

U.S. PATENT DOCUMENTS

D497,595 S * 10/2004 Hisamatsu et al. D13/147
D497,596 S * 10/2004 Hisamatsu et al. D13/147

D529,445 S * 10/2006 Ro D13/147
D597,952 S * 8/2009 Kikuchi et al. D13/147
D609,649 S * 2/2010 Kai et al. D13/147

* cited by examiner

Primary Examiner—Daniel D Bui

(74) *Attorney, Agent, or Firm*—Collard & Roe, P.C.

(57) **CLAIM**

The ornamental design for an electrical connector, as shown and described

DESCRIPTION

FIG. 1 is a front elevational view of an electrical connector, showing our new design;

FIG. 2 is a rear elevational view thereof;

FIG. 3 is a left side elevational view thereof;

FIG. 4 is a right side elevational view thereof;

FIG. 5 is a top plan view thereof;

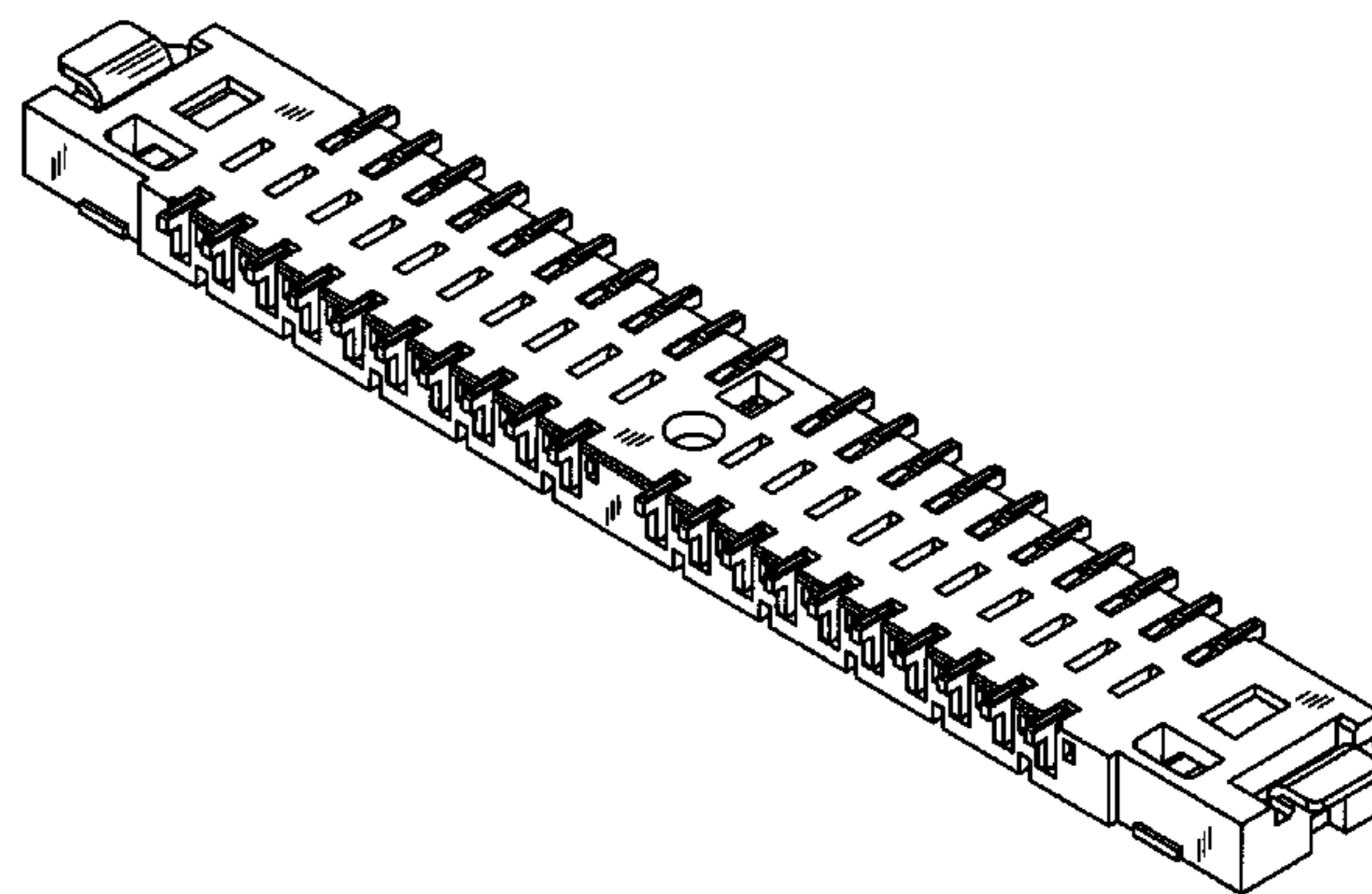
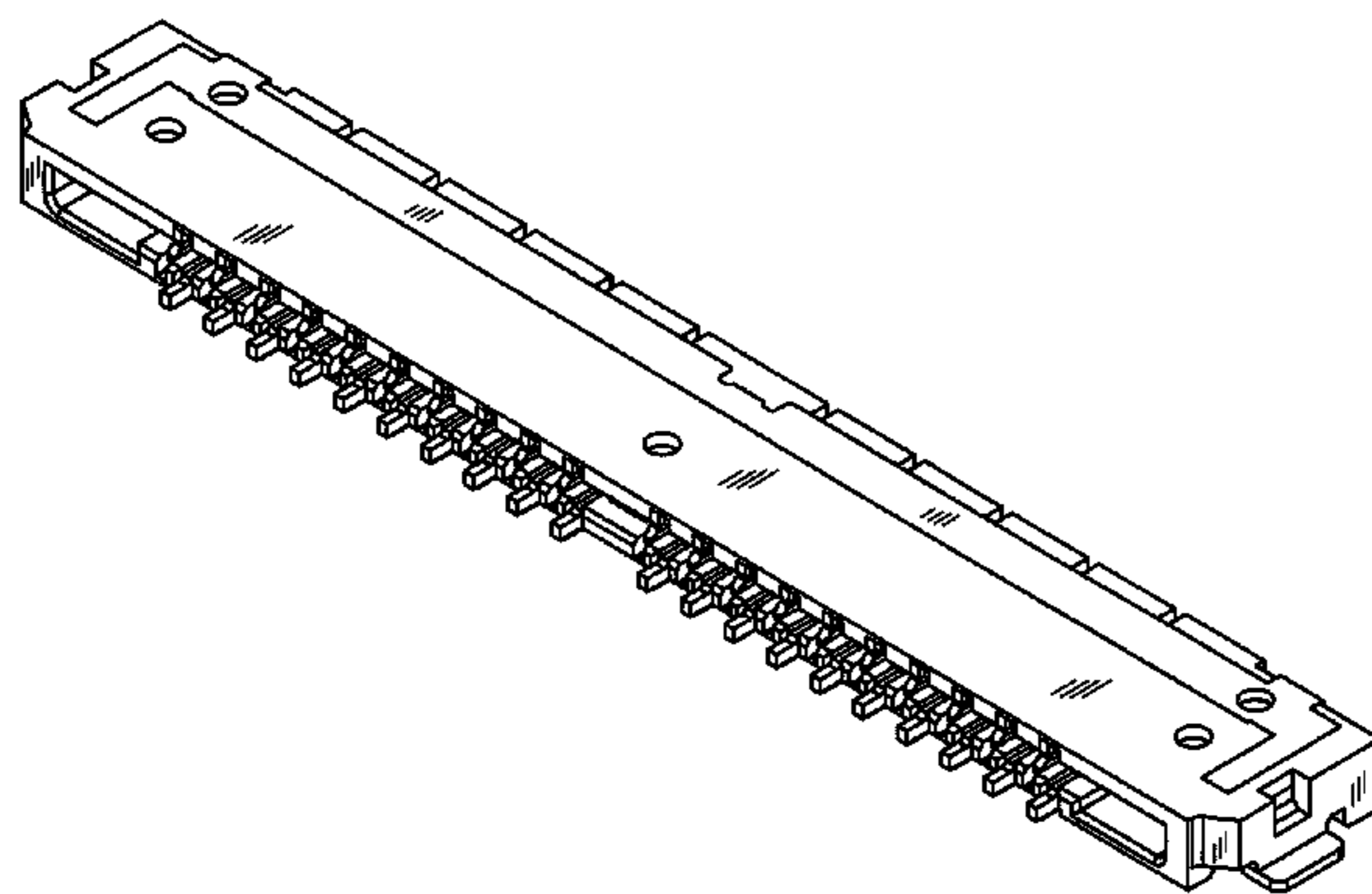
FIG. 6 is a bottom plan view thereof;

FIG. 7 is a front, top and right side perspective view thereof; and,

FIG. 8 is a rear, bottom and right side perspective view thereof.

The broken line portion of the figure drawings is included to show unclaimed subject matter only and forms no part of the claimed design.

1 Claim, 7 Drawing Sheets



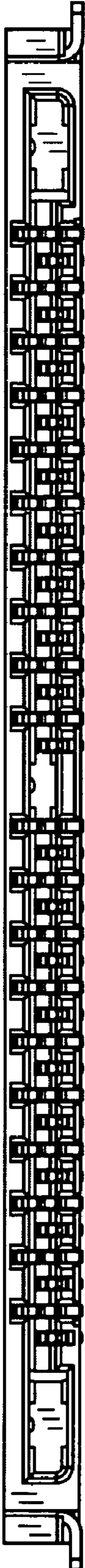


FIG. 1



FIG. 2

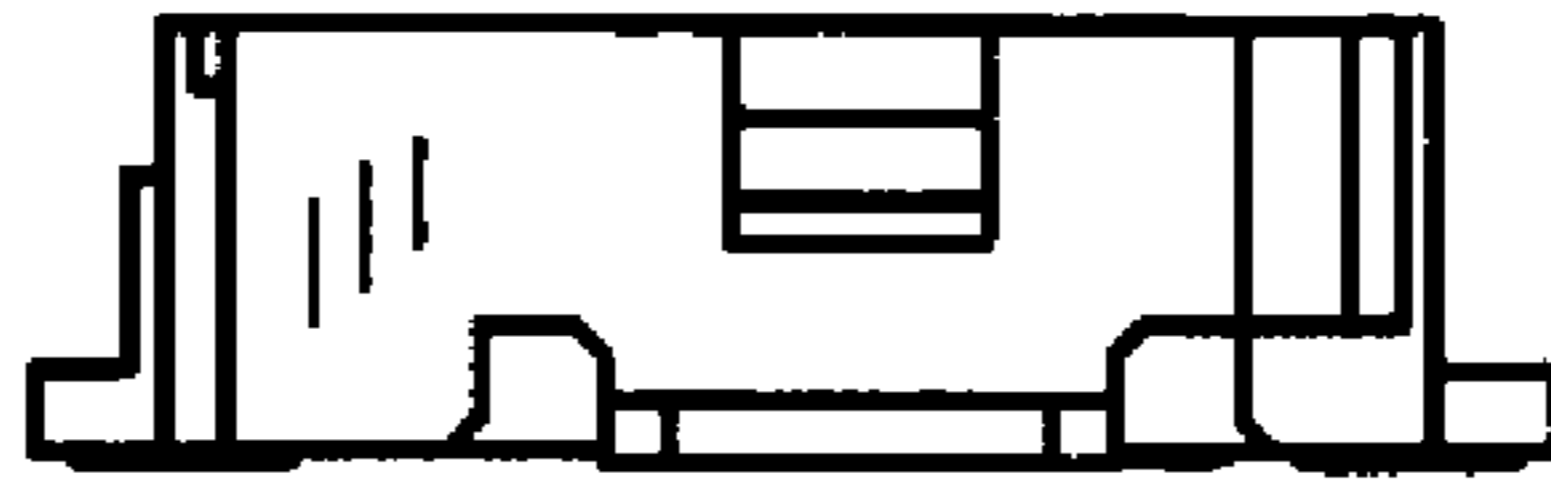


FIG. 3

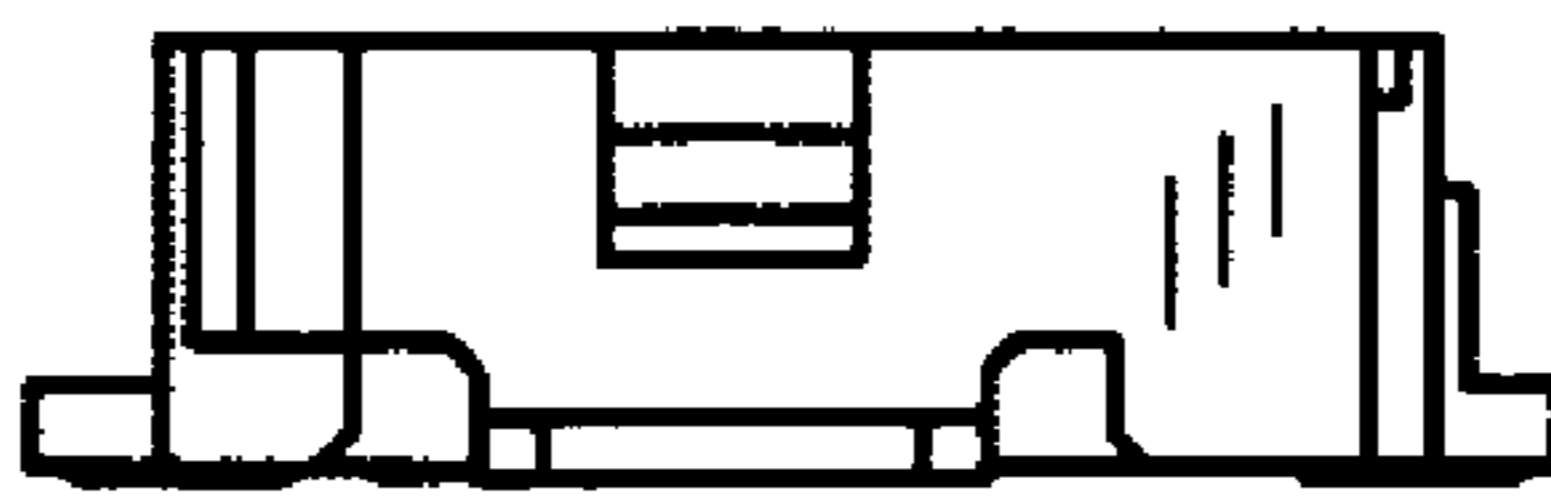


FIG. 4

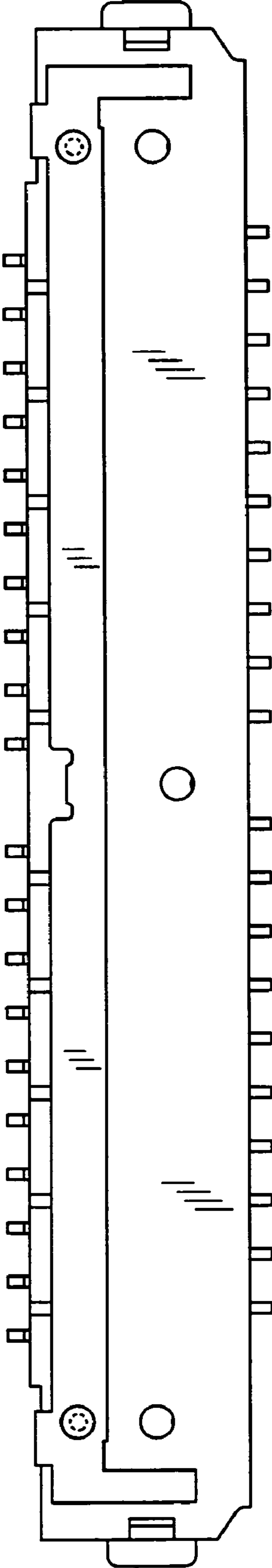


FIG. 5

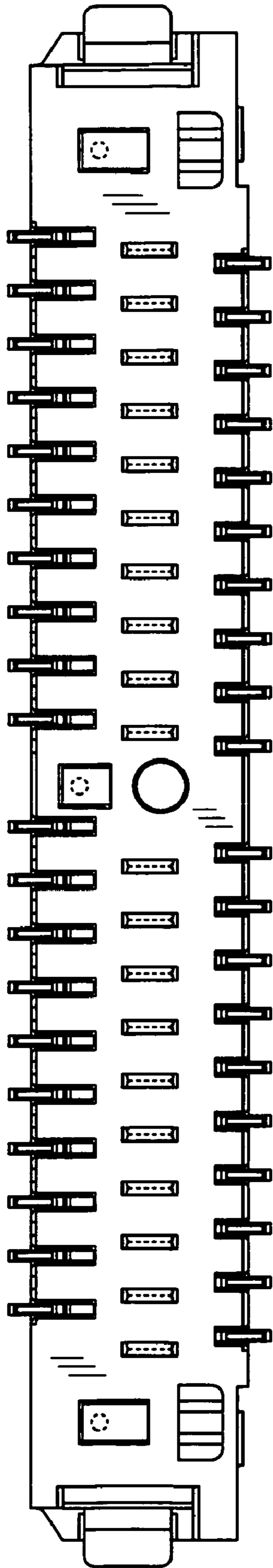


FIG. 6

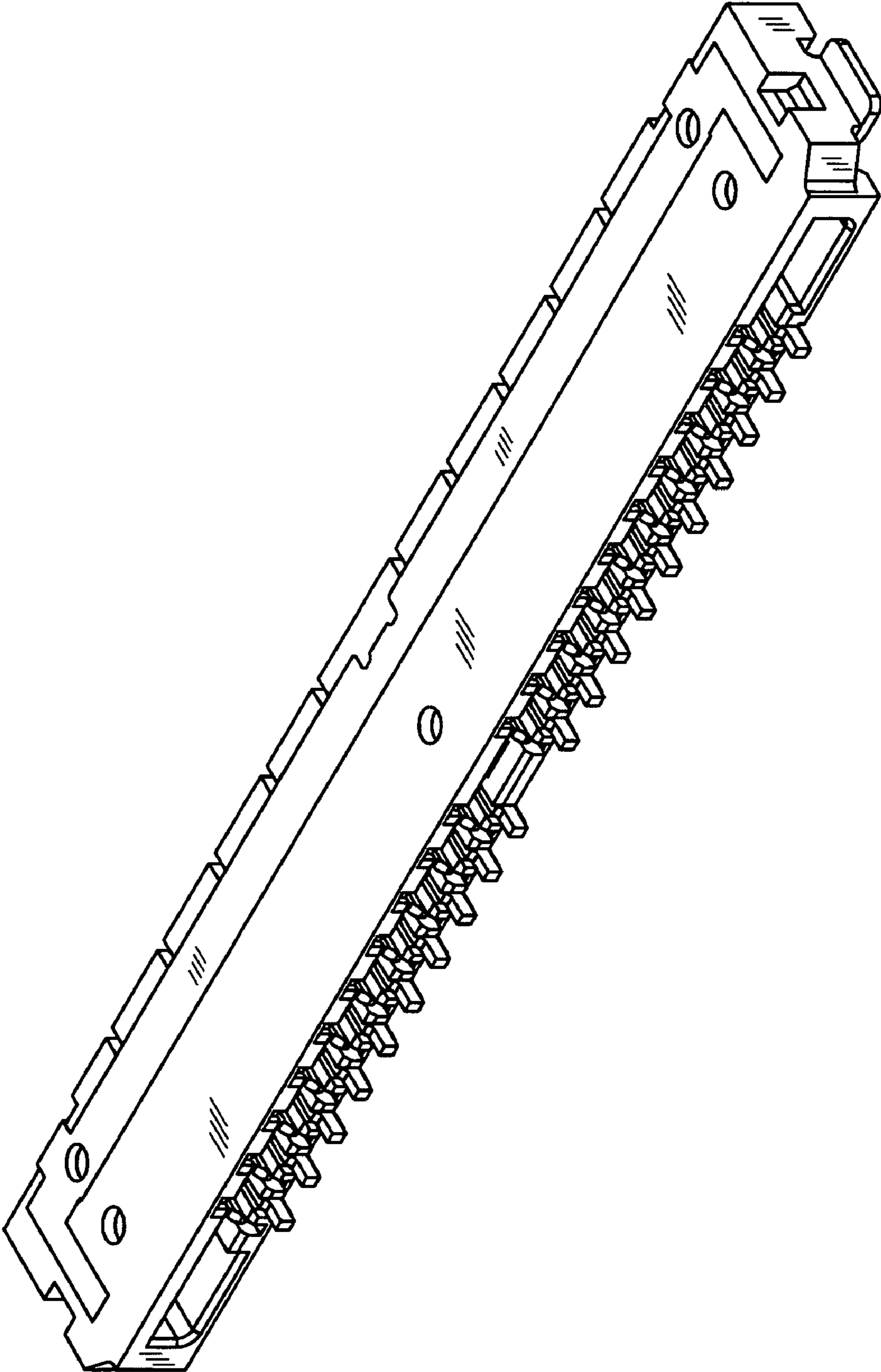


FIG. 7

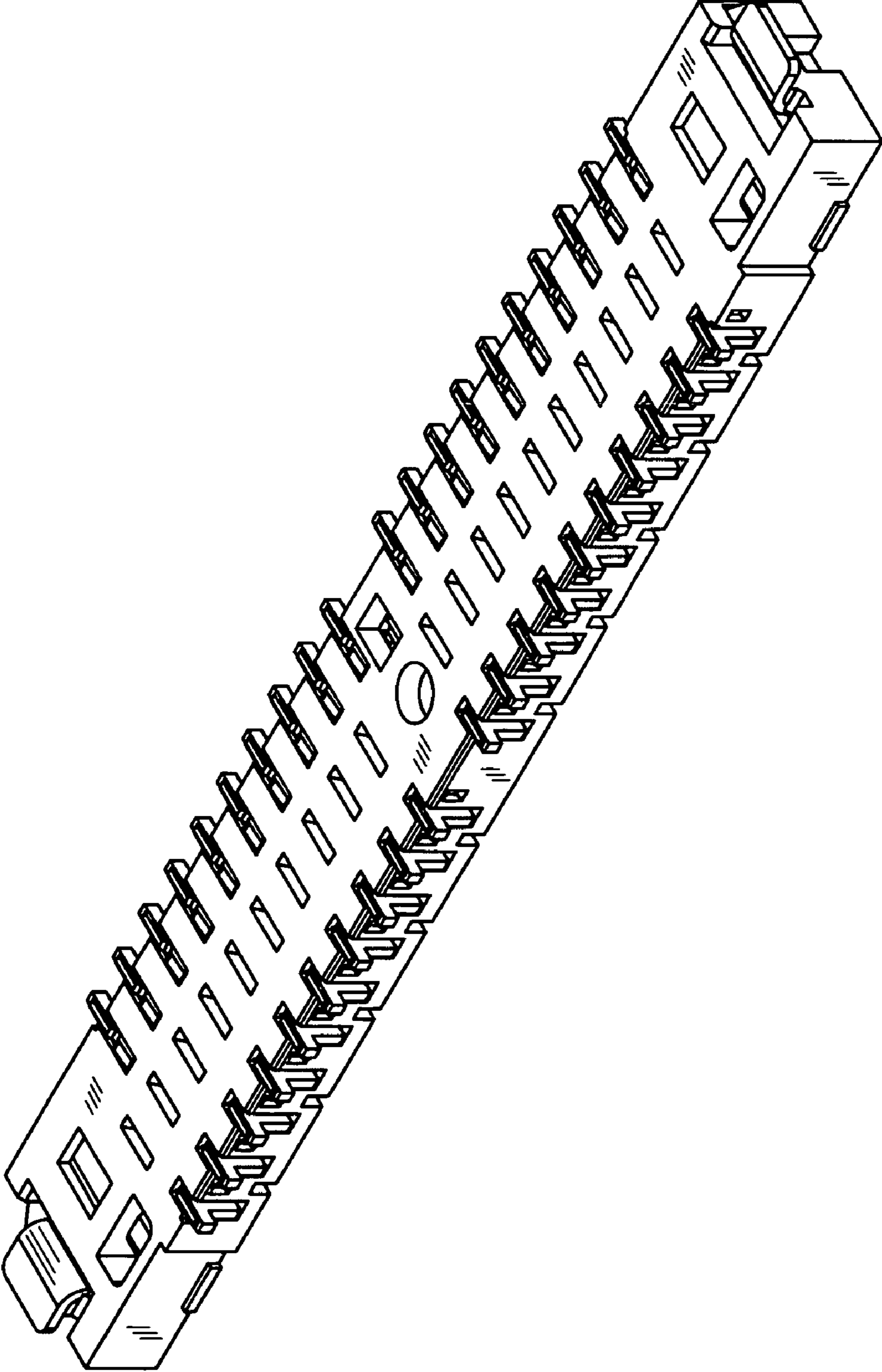


FIG. 8