



US00D628159S

(12) **United States Design Patent**
Inomae

(10) **Patent No.:** **US D628,159 S**

(45) **Date of Patent:** **** Nov. 30, 2010**

(54) **ELECTRIC CONNECTOR**

JP 1201845 4/2004

(75) Inventor: **Koichi Inomae**, Machida (JP)

* cited by examiner

(73) Assignee: **I-Pex Co., Ltd.**, Machida-shi (JP)

Primary Examiner—Daniel D Bui
(74) *Attorney, Agent, or Firm*—Oblon, Spivak, McClelland,
Maier & Neustadt, L.L.P.

(**) Term: **14 Years**

(21) Appl. No.: **29/343,788**

(57) **CLAIM**

(22) Filed: **Sep. 18, 2009**

I claim the ornamental design for an electric connector, as shown and described.

(30) **Foreign Application Priority Data**

Jun. 18, 2009 (JP) 2009-013801

DESCRIPTION

(51) **LOC (9) Cl.** **13-03**

FIG. 1 is a front elevational view of an electric connector showing my new design;

(52) **U.S. Cl.** **D13/147**

FIG. 2 is a top plan view thereof;

(58) **Field of Classification Search** D13/147,

FIG. 3 is a rear elevational view thereof;

D13/154, 156, 184; D14/433, 435, 438;
439/79, 108, 159–160, 260, 329, 395, 607.01,
439/607.04, 607.05, 307.17, 607.25, 607.34,
439/607.41, 607.53, 629, 630, 946

FIG. 4 is a bottom plan view thereof;

See application file for complete search history.

FIG. 5 is a right side elevational view thereof, the left side elevational view being a mirror image of the right side elevational view shown;

(56) **References Cited**

FIG. 6 is a cross-sectional view thereof, on an enlarged scale, taken along line 6—6 in FIG. 1;

U.S. PATENT DOCUMENTS

FIG. 7 is a front, top and right side perspective view thereof;

4,487,464 A * 12/1984 Kirschenbaum 439/62
D476,956 S * 7/2003 Sukegawa et al. D13/147
D489,039 S * 4/2004 Kawase et al. D13/147
D525,944 S * 8/2006 Katoh D13/147
D578,964 S * 10/2008 Luo et al. D13/147

FIG. 8 is a front, bottom and right side perspective view thereof; and,

FOREIGN PATENT DOCUMENTS

FIG. 9 is a front, top and right side perspective view thereof, in use condition.

JP 1008538 4/1998
JP 1170049 4/2003

The broken lines in the drawings depict environmental subject matter only and form no part of the claimed design.

1 Claim, 6 Drawing Sheets

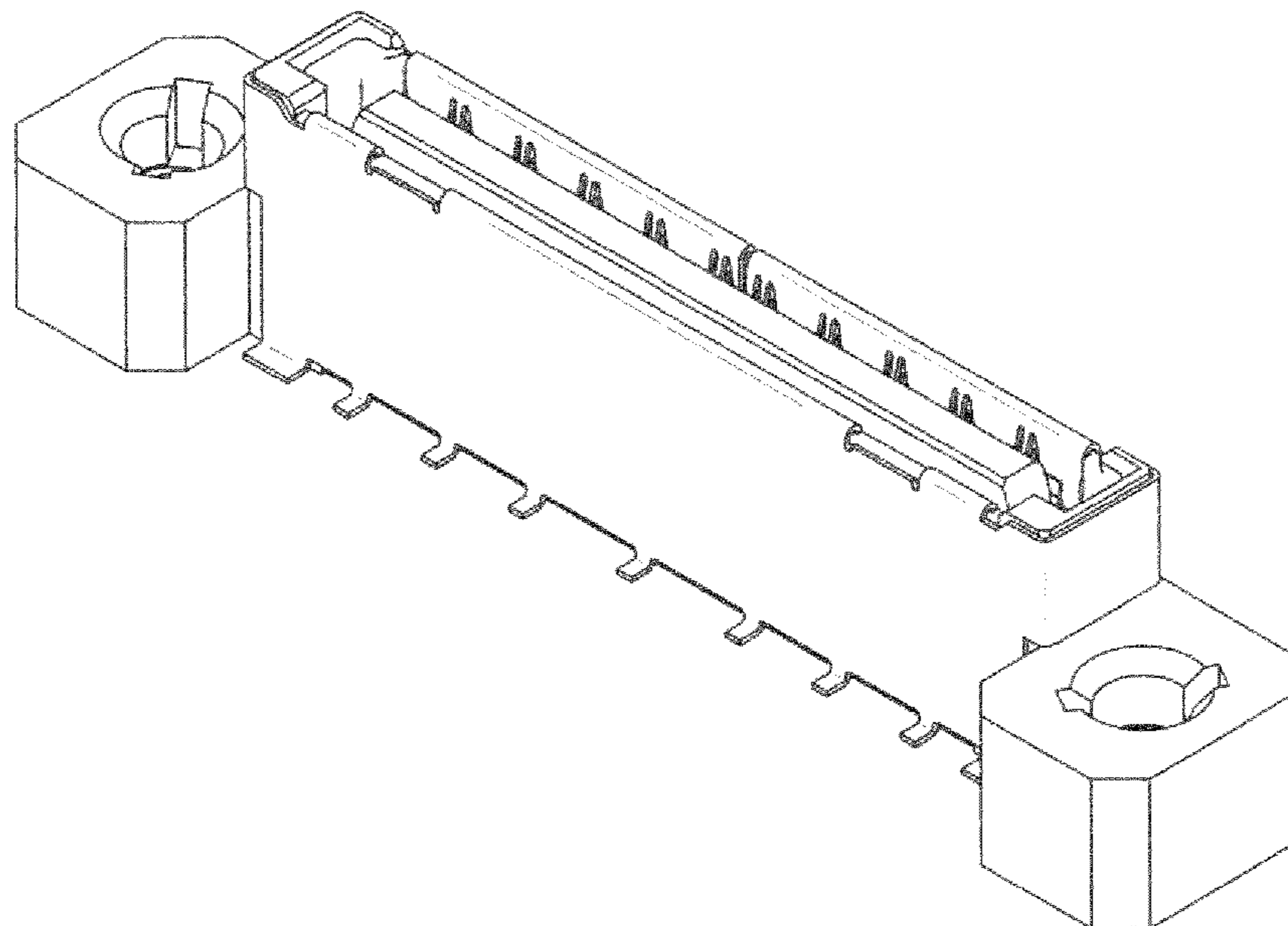


FIG. 1

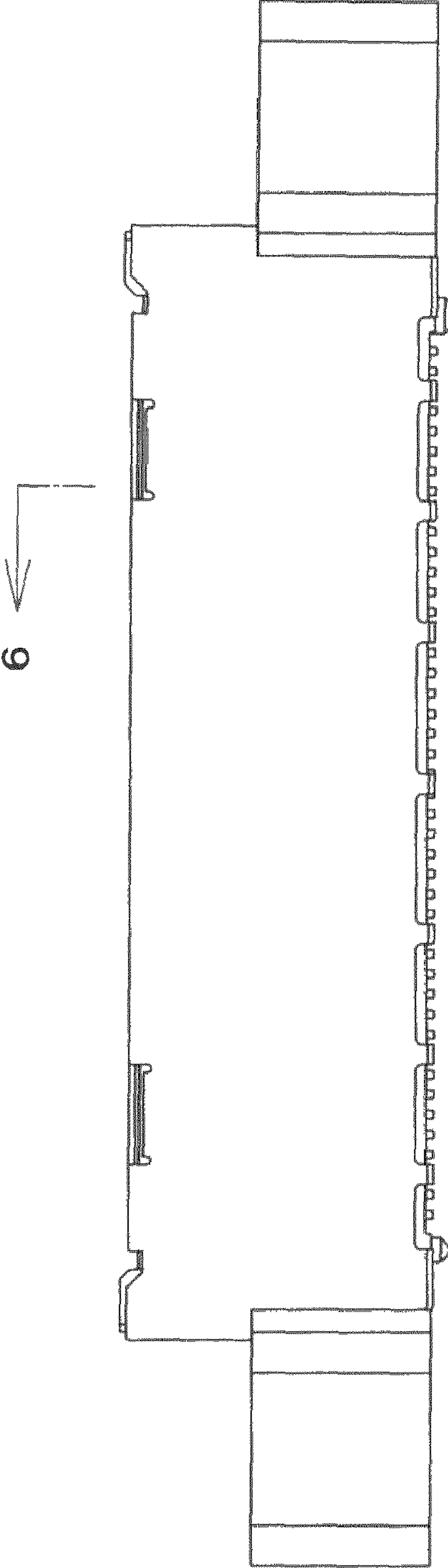


FIG. 2

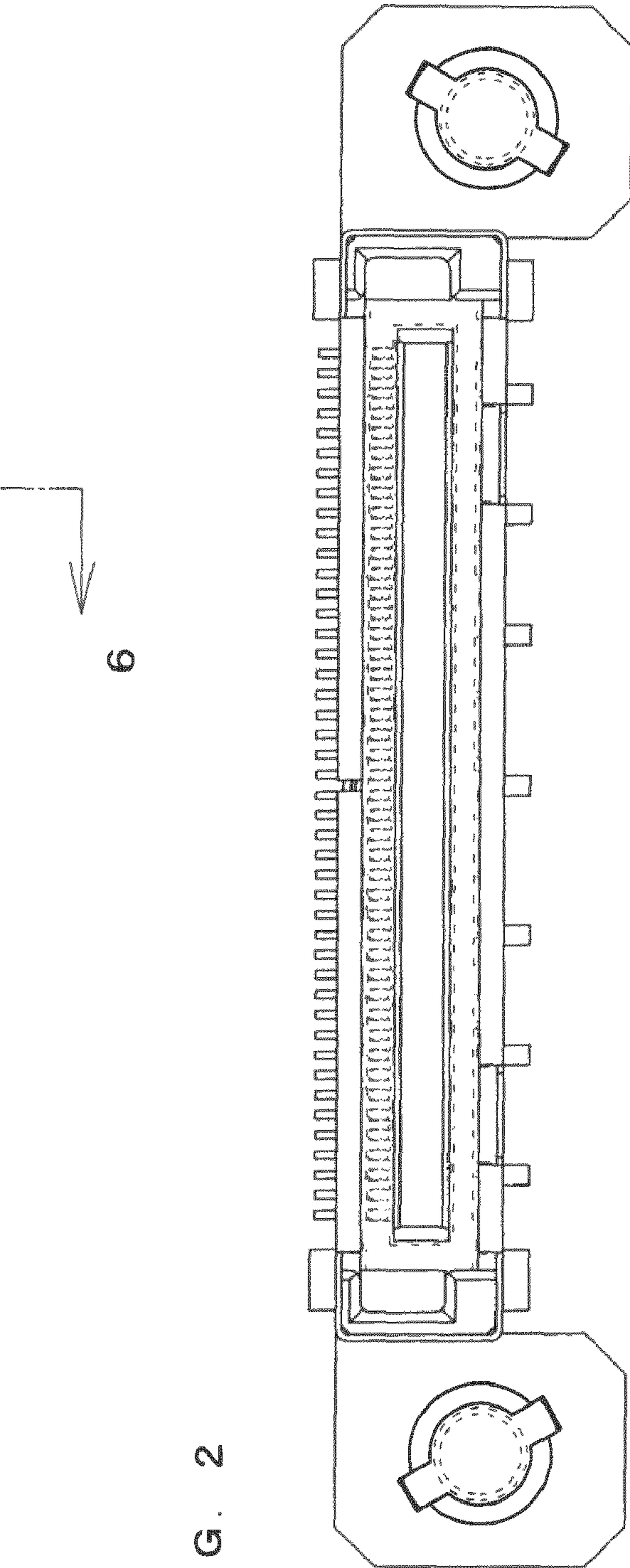


FIG. 3

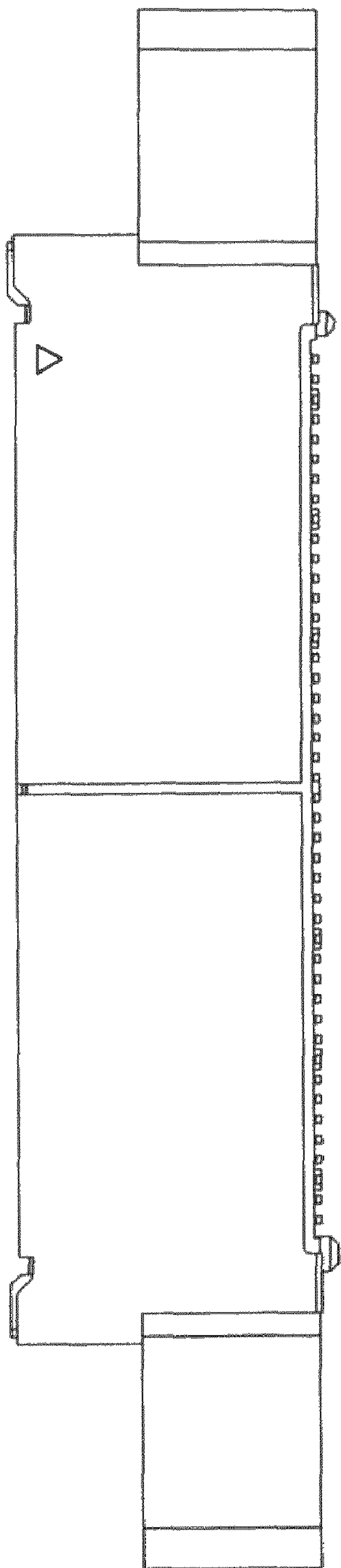
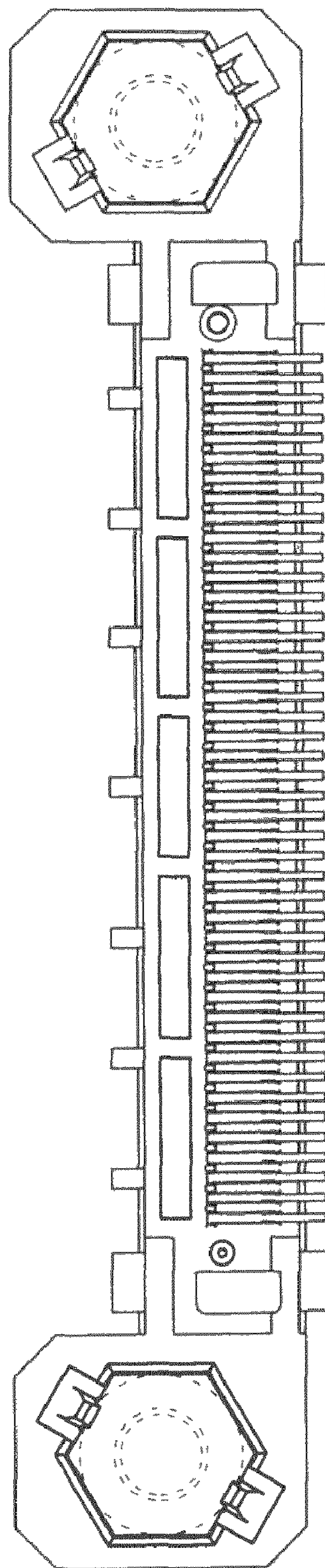


FIG. 4



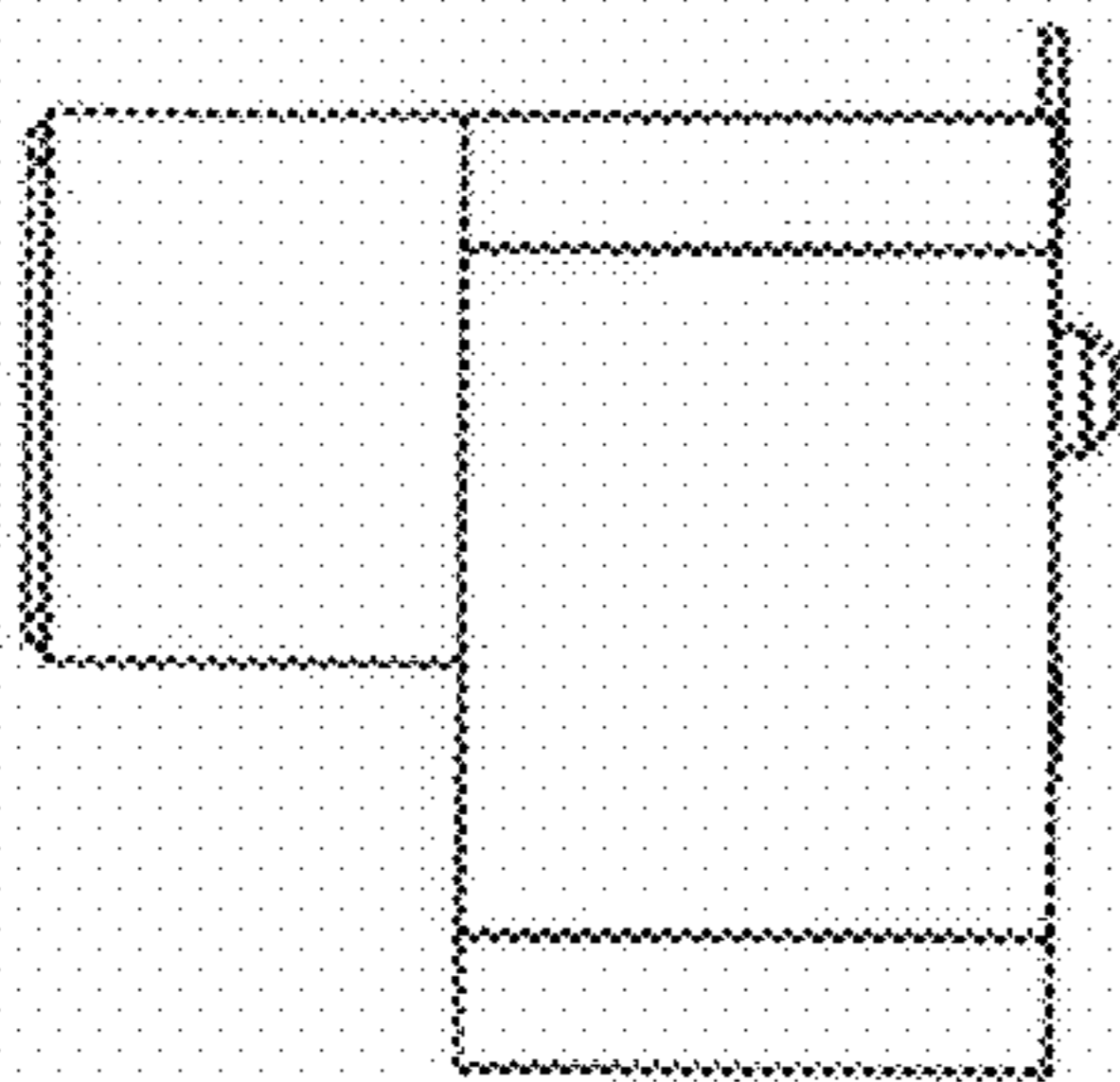


FIG. 5

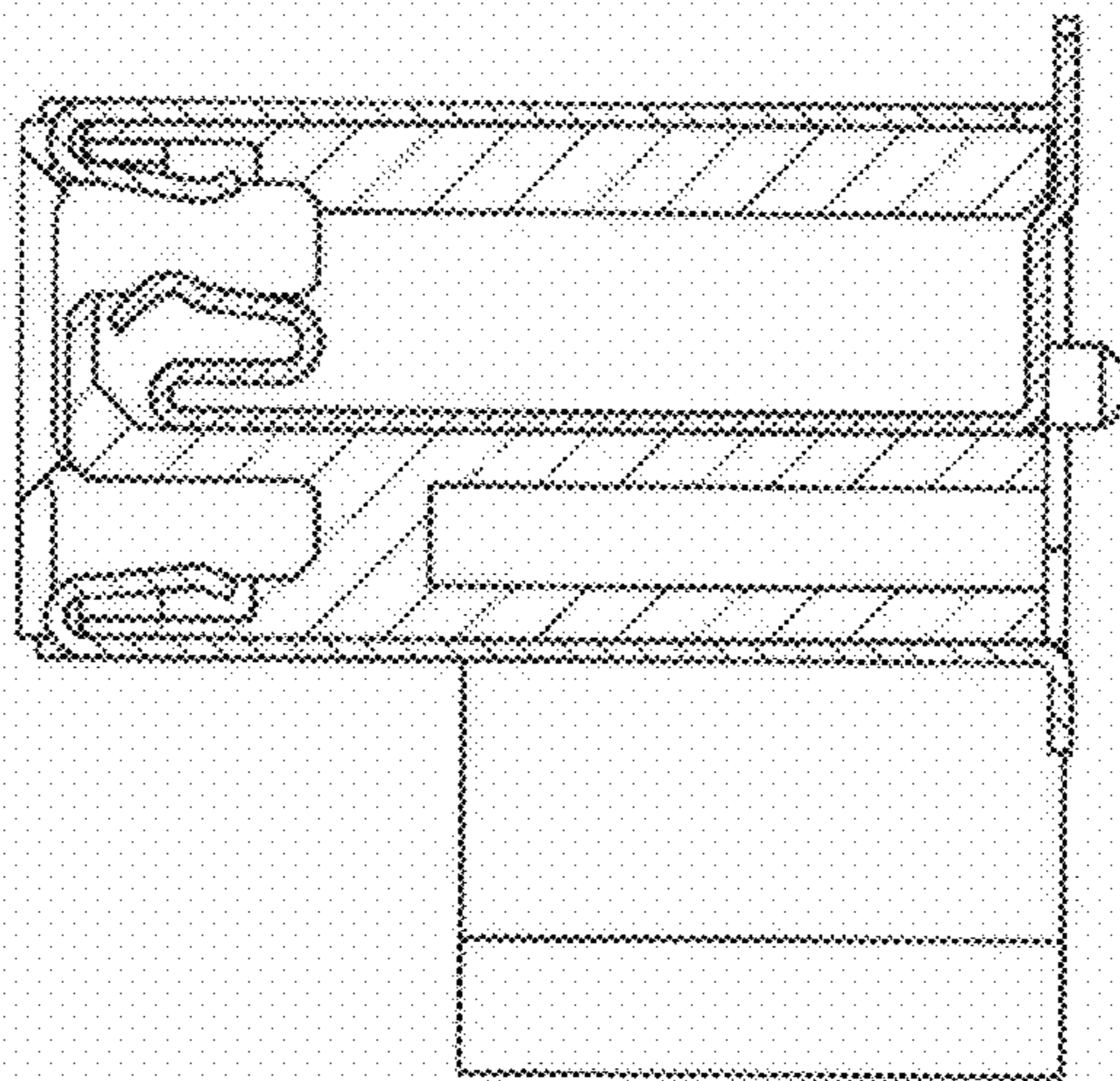


FIG. 6

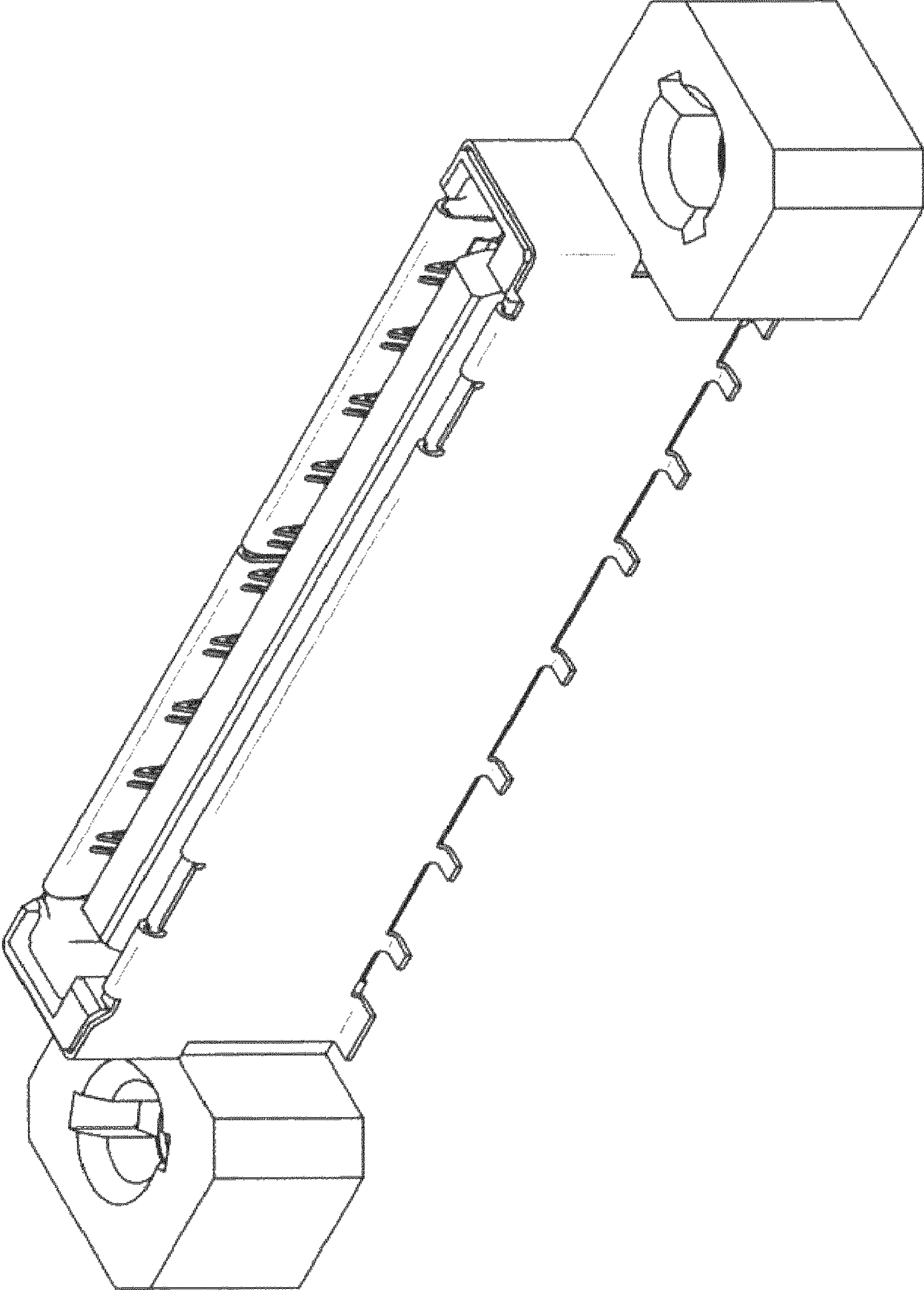


FIG. 7

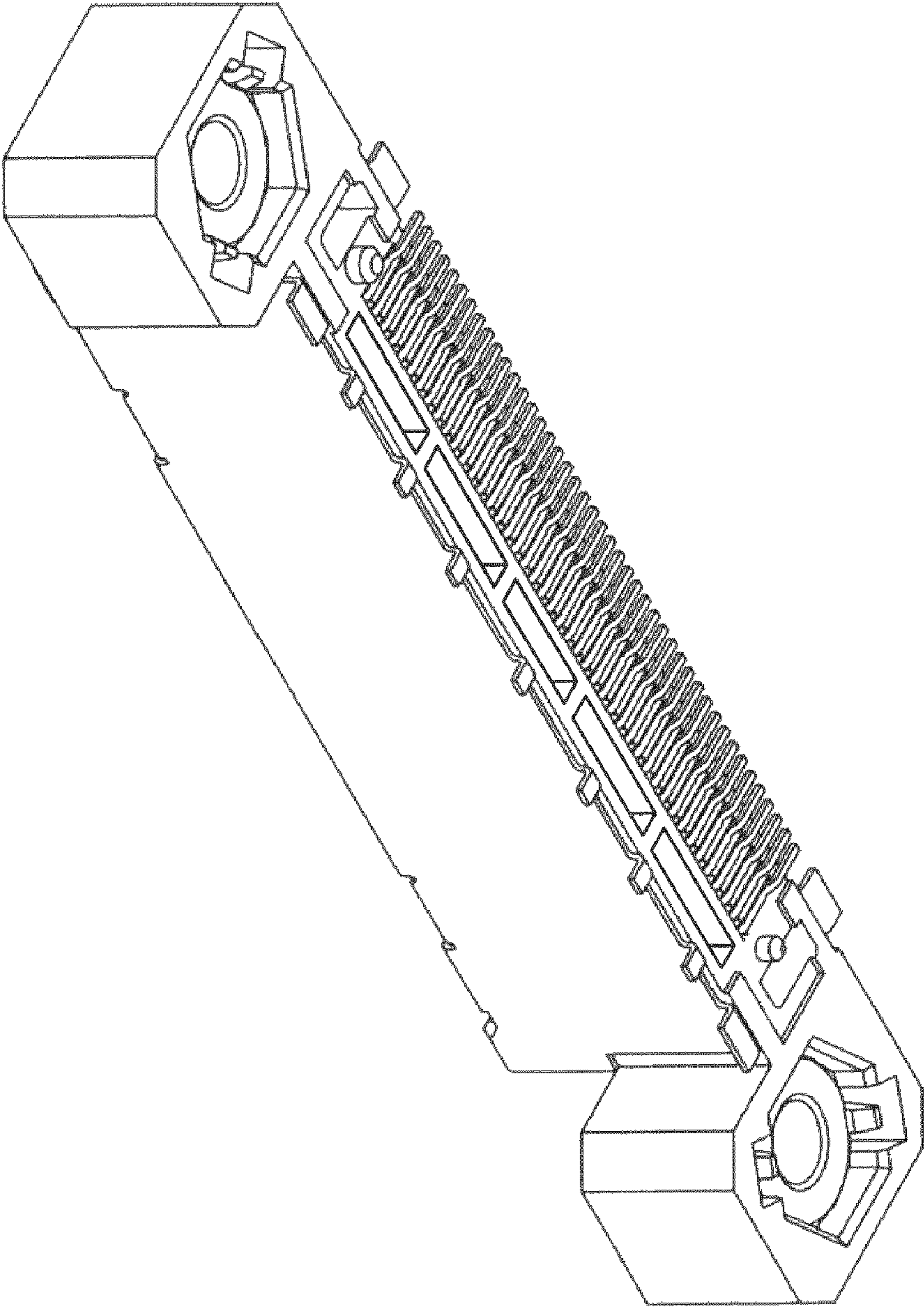


FIG. 8

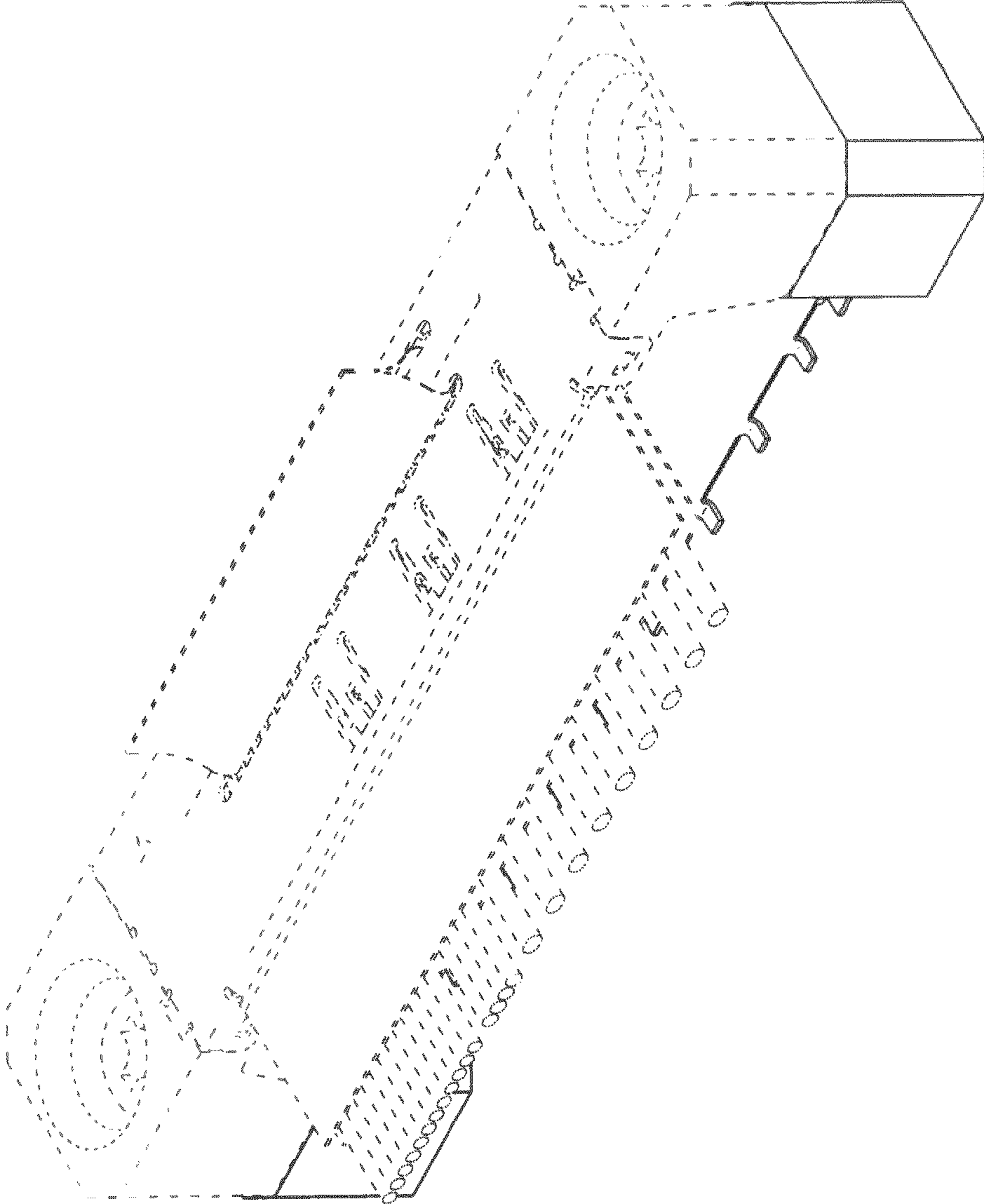


FIG. 9