



US00D628156S

(12) **United States Design Patent**  
**Alexander et al.**

(10) **Patent No.:** **US D628,156 S**  
(45) **Date of Patent:** **\*\* Nov. 30, 2010**

(54) **SOCKET AND HEAT SINK UNIT FOR USE WITH A REMOVABLE LED LIGHT MODULE**

2010/0149818 A1\* 6/2010 Ruffin ..... 362/294

**FOREIGN PATENT DOCUMENTS**

(75) Inventors: **Clayton Alexander**, Westlake Village, CA (US); **Brandon Mundell**, Thousand Oaks, CA (US); **Robert Rippey, III**, Westlake Village, CA (US)

JP D1307268 8/2007  
JP D1307434 8/2007

**OTHER PUBLICATIONS**

(73) Assignee: **Journée Lighting, Inc.**, Westlake Village, CA (US)

U.S. Appl. No. 12/711,715, filed Feb. 23, 2010, Alexander, et al.  
U.S. Appl. No. 29/353,916, filed Jan. 15, 2010, Alexander, et al.

\* cited by examiner

(\*\*) Term: **14 Years**

*Primary Examiner*—Daniel D Bui

*Assistant Examiner*—Thomas J Johannes

(21) Appl. No.: **29/353,914**

(74) *Attorney, Agent, or Firm*—Knobbe Martens Olson & Bear, LLP

(22) Filed: **Jan. 15, 2010**

(51) **LOC (9) Cl.** ..... **13-03**

(57) **CLAIM**

(52) **U.S. Cl.** ..... **D13/134; D13/179**

The ornamental design for a socket and heat sink unit for use with a removable LED light module, as shown and described.

(58) **Field of Classification Search** ..... D13/113, D13/123, 133, 134, 136, 179, 184, 199; 165/80.3, 165/104.33, 151, 122, 185; 257/706, 707, 257/718–722; 361/687, 695, 697, 700, 702, 361/704, 709, 710, 711, 719; 362/294, 427, 362/545; 313/318.01; 439/76.1; D26/113, D26/138

**DESCRIPTION**

See application file for complete search history.

FIG. 1 is a perspective top view of a socket and heat sink unit for use with a removable LED light module showing my new design;

(56) **References Cited**

**U.S. PATENT DOCUMENTS**

D452,843	S	*	1/2002	Henrici	.....	D13/134
D592,799	S	*	5/2009	Scott	.....	D26/138
D597,246	S	*	7/2009	Meyer et al.	.....	D26/113
D597,247	S	*	7/2009	Meyer et al.	.....	D26/113
D602,868	S	*	10/2009	Vogt et al.	.....	D13/134
D610,543	S	*	2/2010	Coushaine	.....	D13/134
2003/0209963	A1	*	11/2003	Altgilbers et al.	.....	313/318.01
2006/0039156	A1	*	2/2006	Chen	.....	362/427
2007/0275576	A1	*	11/2007	Yang	.....	439/76.1
2009/0034283	A1	*	2/2009	Albright et al.	.....	362/545
2009/0046464	A1	*	2/2009	Liu et al.	.....	362/294
2010/0128484	A1	*	5/2010	Peng	.....	362/294

FIG. 2 is a perspective bottom view thereof;

FIG. 3 is a side view thereof;

FIG. 4 is another side view thereof, rotated 90 degrees from the view in FIG. 3;

FIG. 5 is another side view thereof, rotated 90 degrees from the view in FIG. 4;

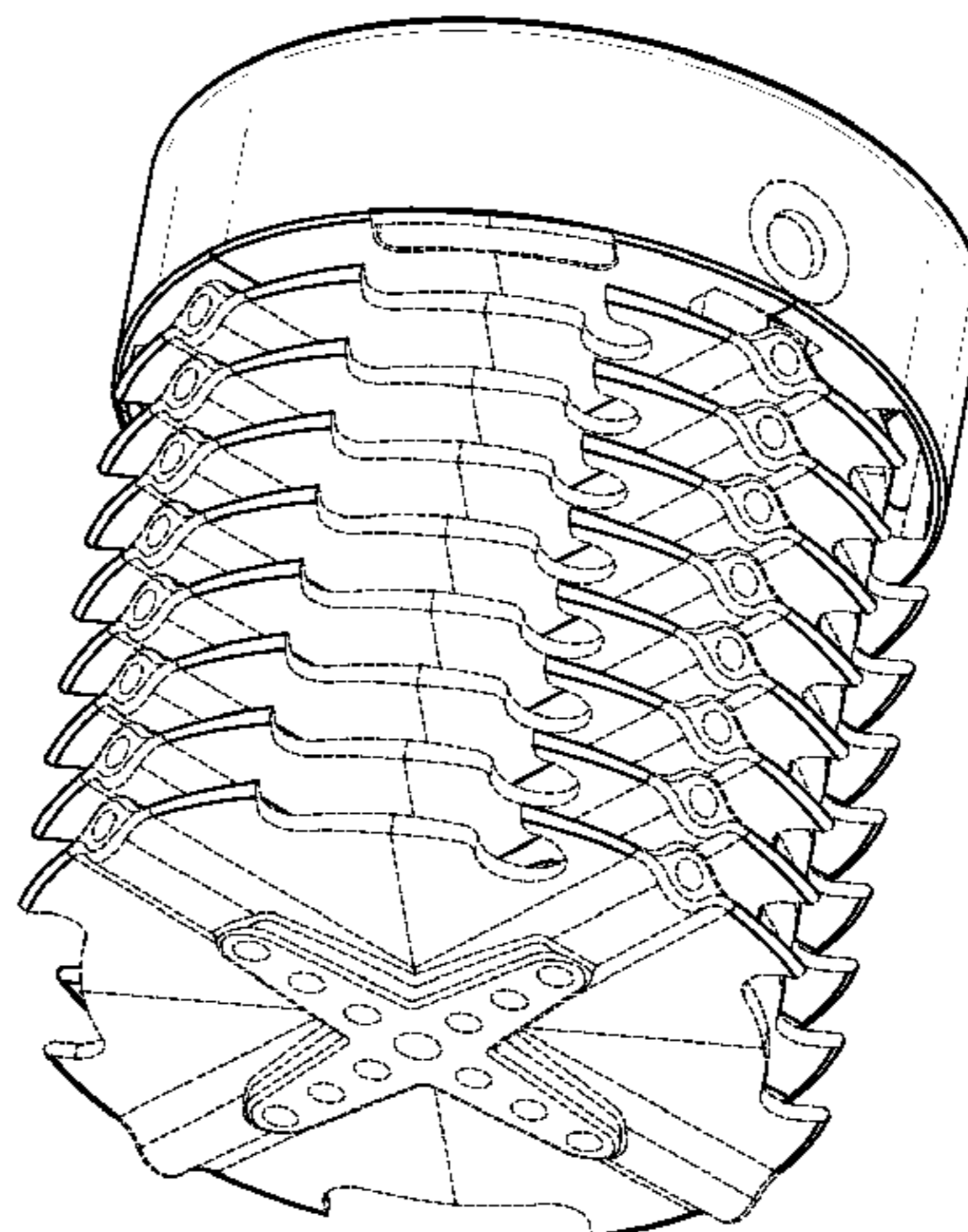
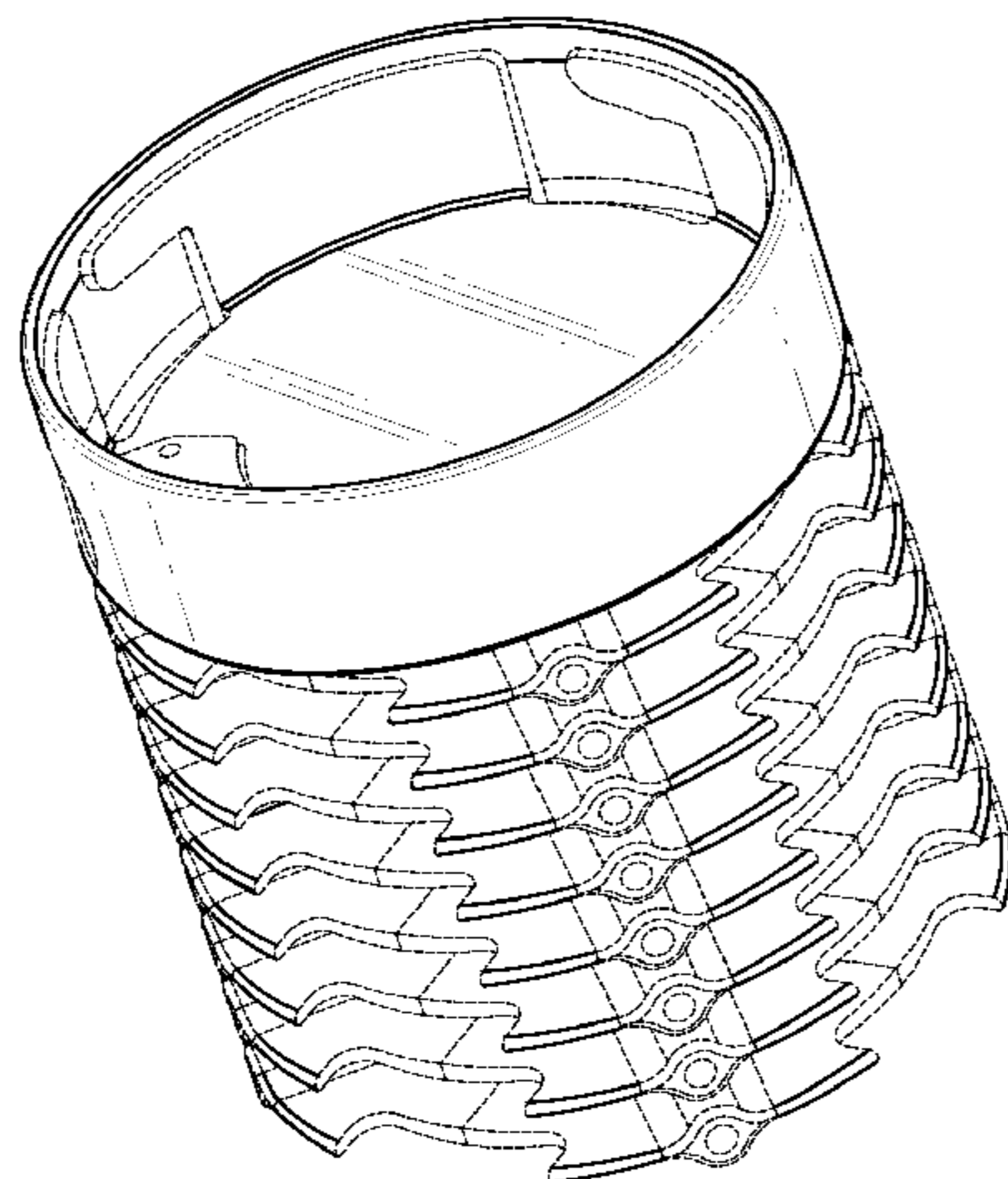
FIG. 6 is another side view thereof, rotated 90 degrees from the view in FIG. 5;

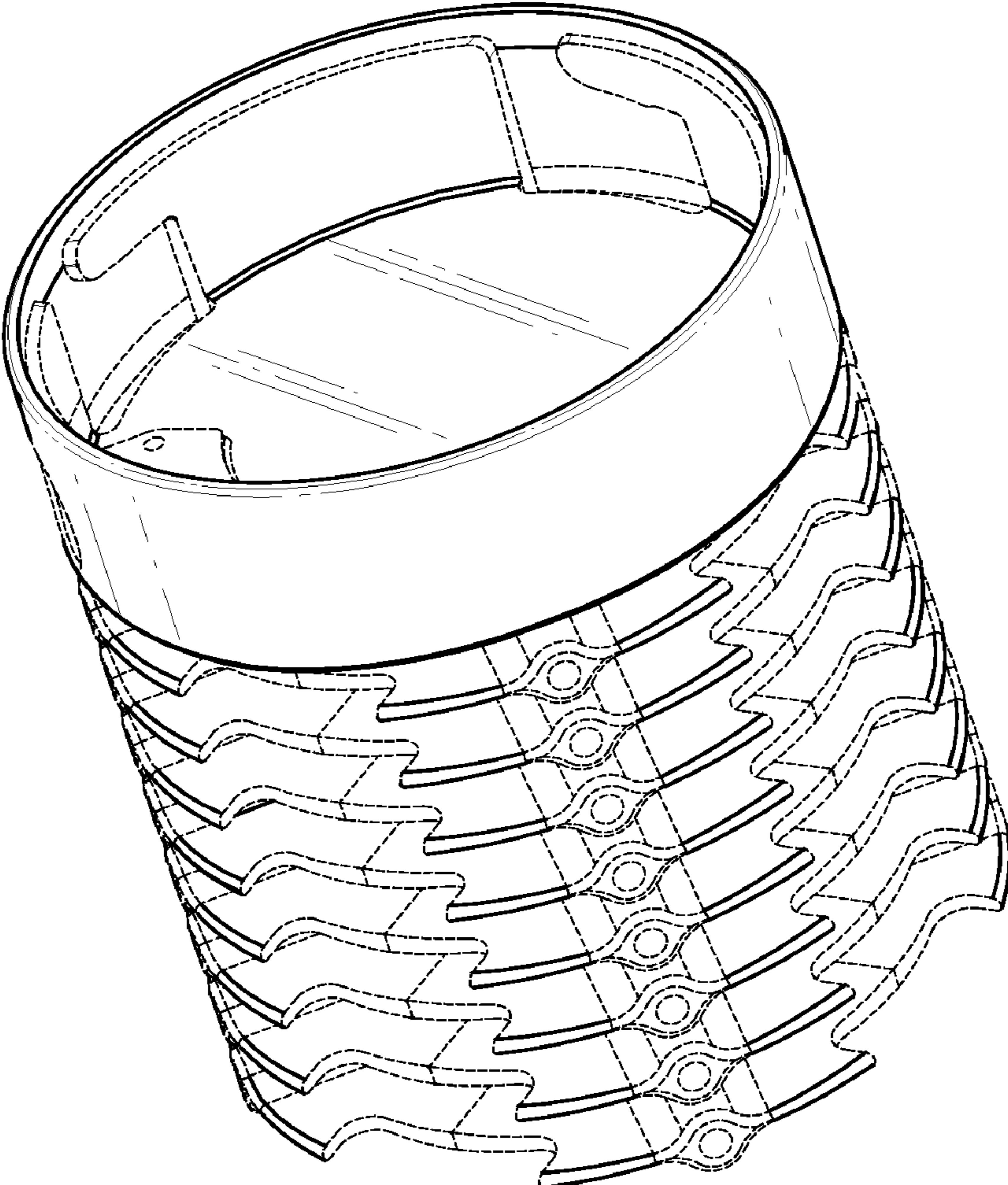
FIG. 7 is a top view thereof; and,

FIG. 8 is a bottom view thereof.

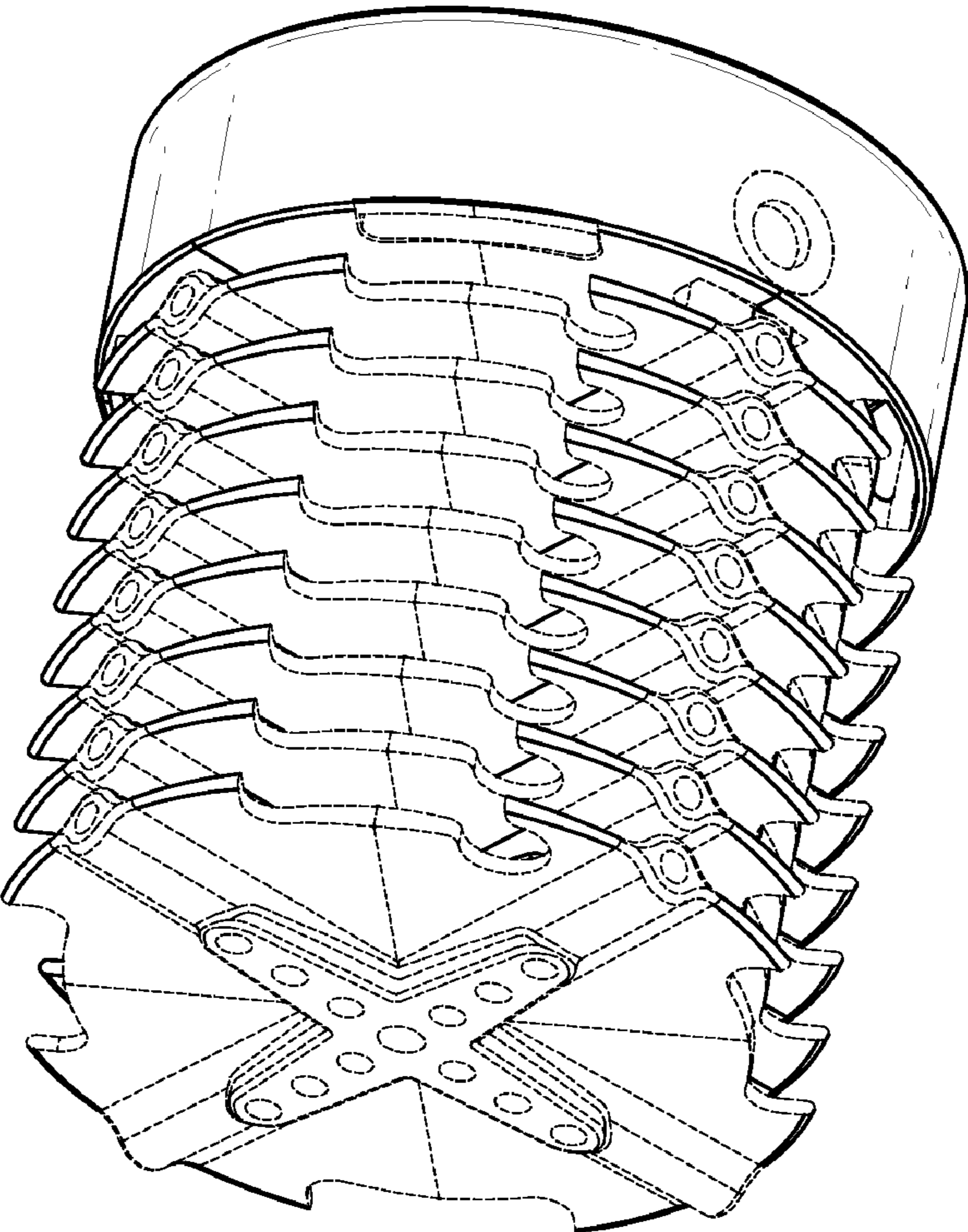
The broken lines show unclaimed subject matter only and form no part of the claimed design.

**1 Claim, 8 Drawing Sheets**

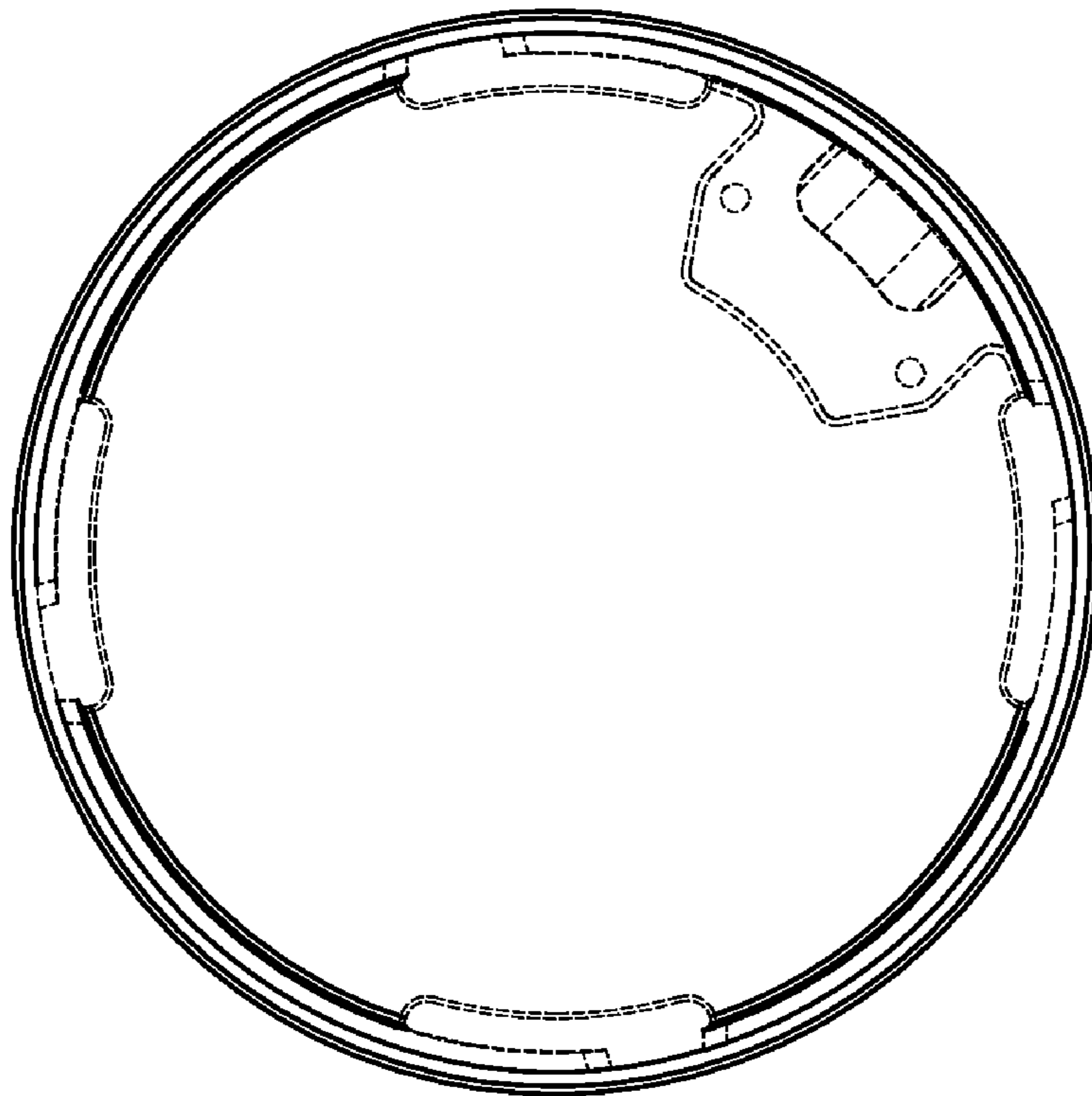




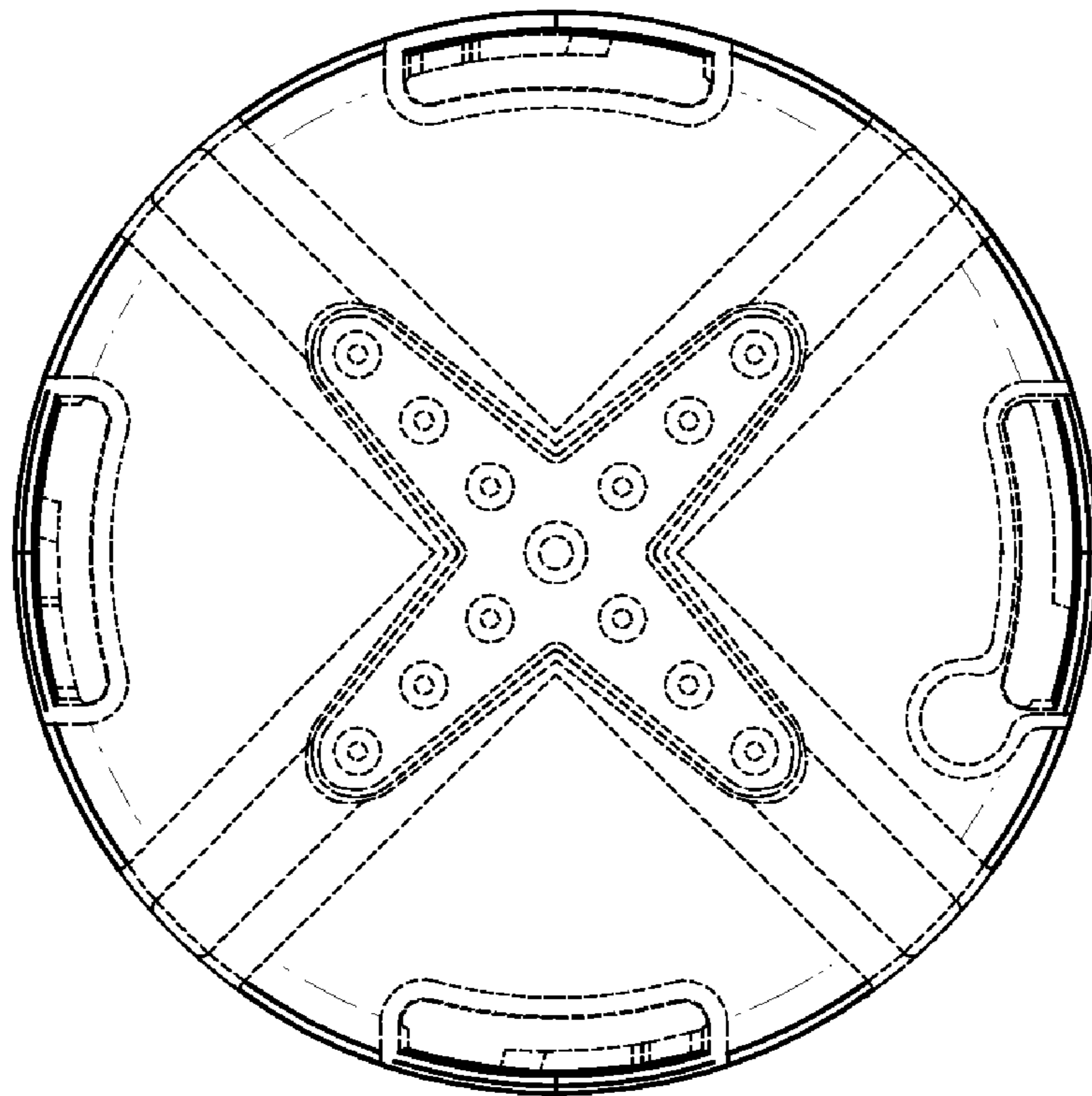
**FIG. 1**



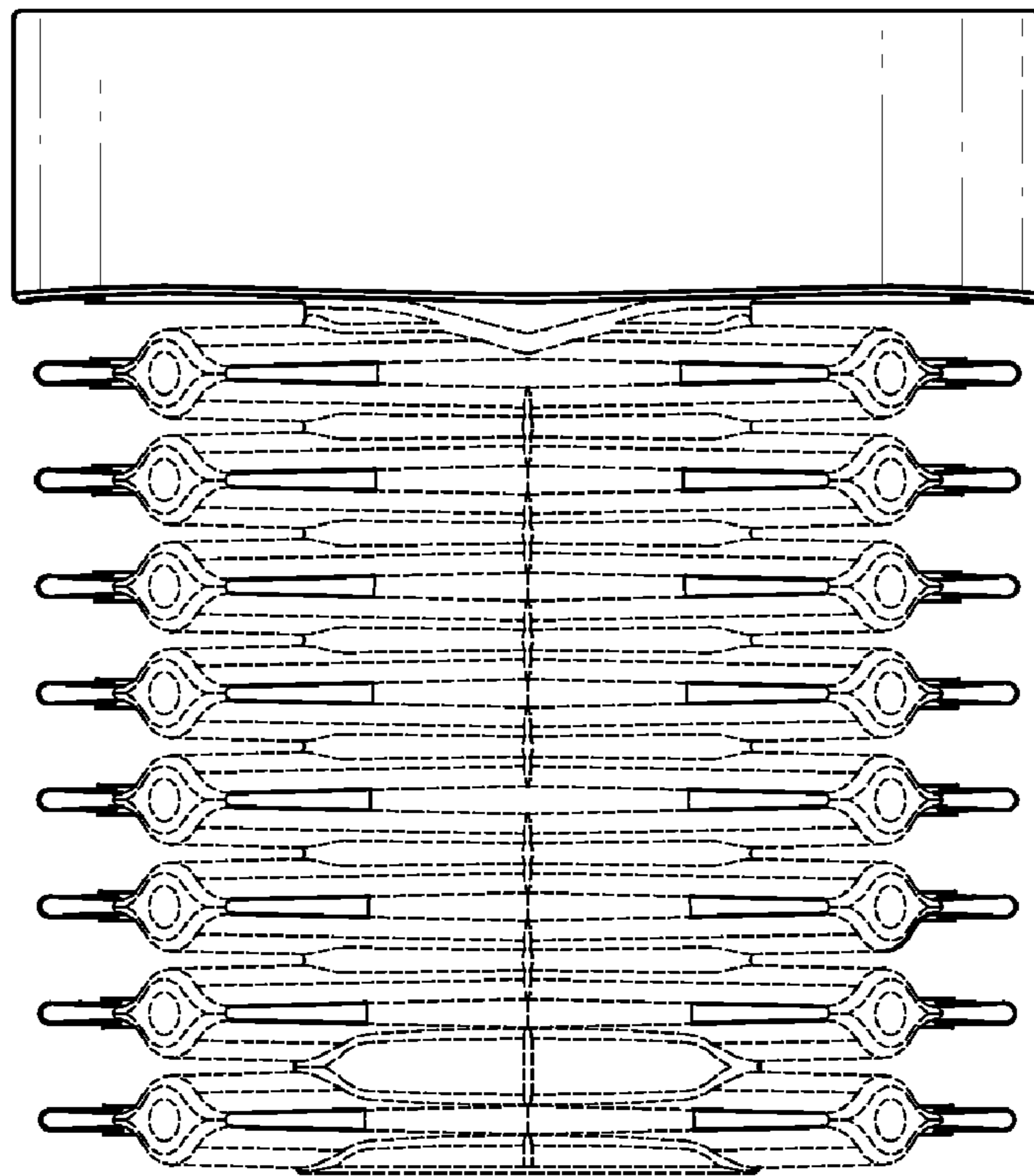
**FIG. 2**



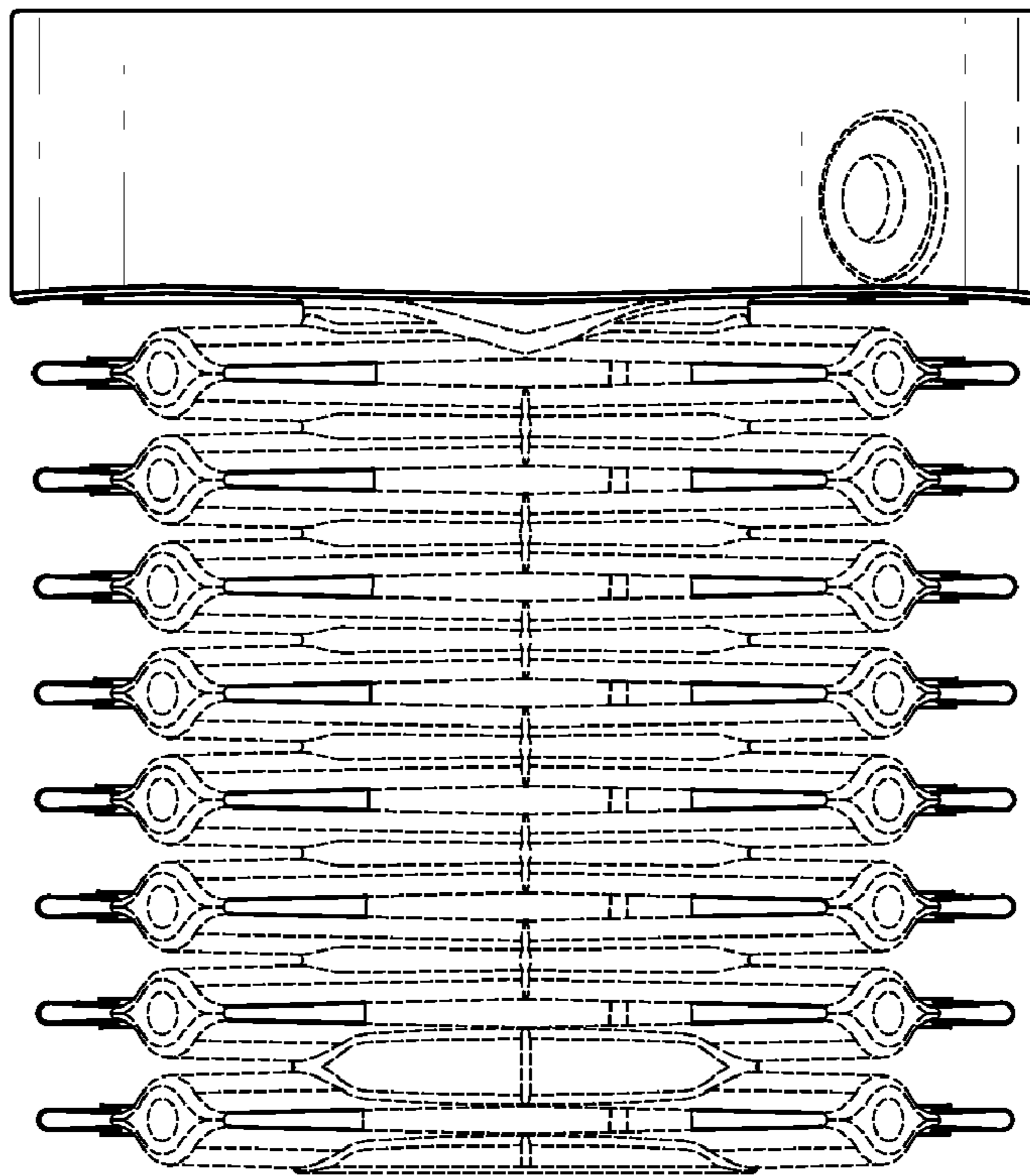
**FIG. 3**



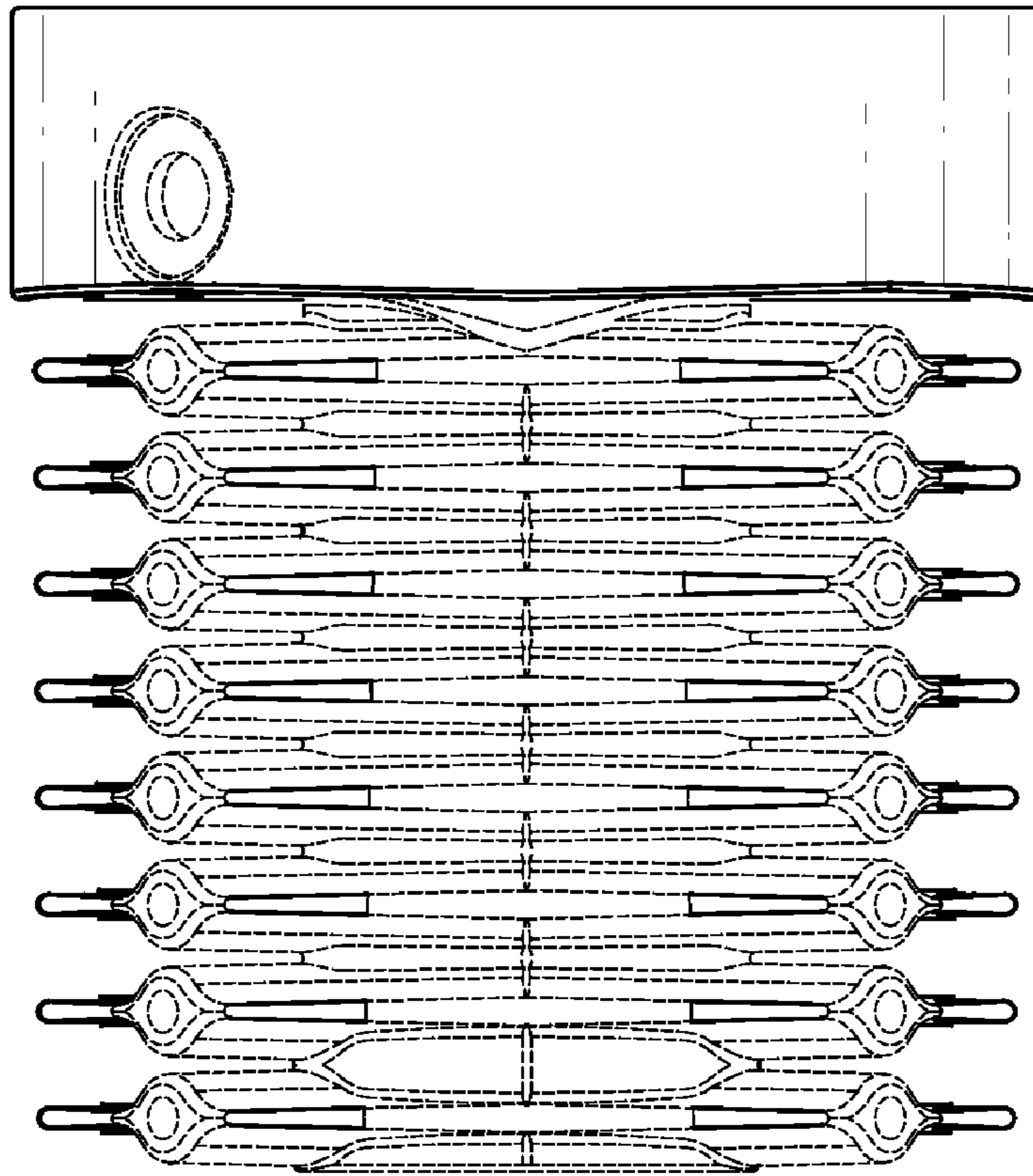
**FIG. 4**



**FIG. 5**

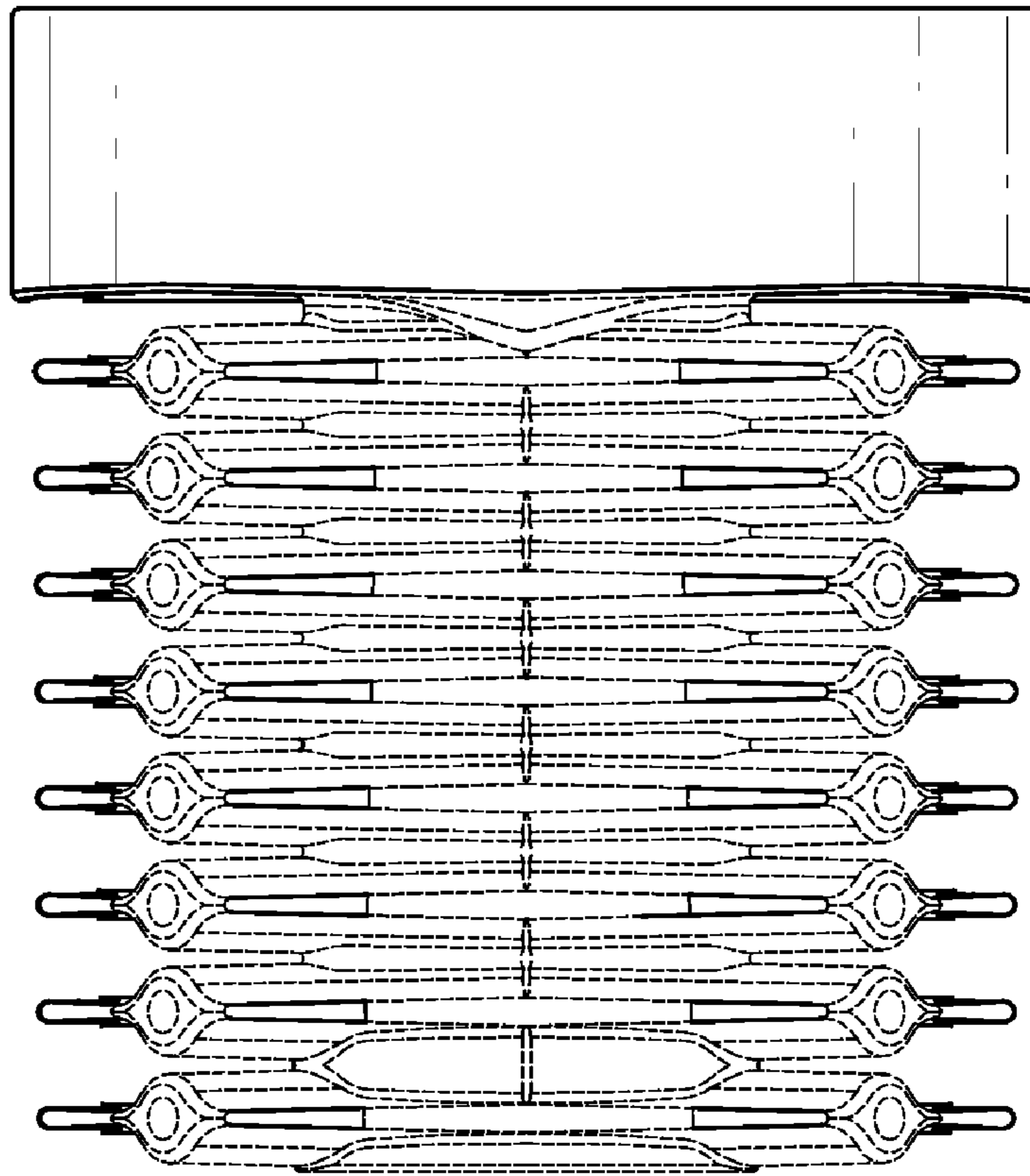


**FIG. 6**



**FIG. 7**





**FIG. 8**