



US00D628154S

(12) **United States Design Patent**
Veeh

(10) **Patent No.:** **US D628,154 S**

(45) **Date of Patent:** **** Nov. 30, 2010**

(54) **ELECTRICAL MOTOR**

(75) Inventor: **Michael Veeh**, Kleinrinderfeld (DE)

(73) Assignee: **Baumuller Nurnberg GmbH**,
Nuremberg (DE)

(**) Term: **14 Years**

(21) Appl. No.: **29/357,653**

(22) Filed: **Mar. 16, 2010**

(30) **Foreign Application Priority Data**

Sep. 18, 2009 (DE) 40 2009 004 841

(51) **LOC (9) Cl.** **13-01**

(52) **U.S. Cl.** **D13/112**

(58) **Field of Classification Search** D13/112,
D13/101, 113, 114, 118, 122, 199; D15/5;
29/596-598; 310/40 R, 42, 43, 58, 68 B,
310/85, 88, 89, 90, 91; 322/16, 39

See application file for complete search history.

(56) **References Cited**

U.S. PATENT DOCUMENTS

D287,715 S * 1/1987 Pittman et al. D13/112
D306,009 S * 2/1990 Mintz et al. D13/112
4,988,905 A * 1/1991 Tolmie, Jr. 310/68 B

D397,992 S * 9/1998 Shimomura et al. D13/112
D424,516 S * 5/2000 Friedrichsen D13/112
D457,493 S * 5/2002 Borges D13/112
D462,937 S * 9/2002 Nord D13/112
D511,138 S * 11/2005 Kwan D13/112
D557,210 S * 12/2007 Liu D13/112

* cited by examiner

Primary Examiner—Prabhakar Deshmukh

Assistant Examiner—Derrick Holland

(74) *Attorney, Agent, or Firm*—Frank H. Foster; Kremblas & Foster

(57) **CLAIM**

The ornamental design for an electrical motor, as shown.

DESCRIPTION

FIG. 1 is a right side view of an electrical motor showing my new design.

FIG. 2 is a top view thereof.

FIG. 3 is a left side view thereof.

FIG. 4 is a bottom view thereof.

FIG. 5 is a view in perspective showing the right end thereof; and,

FIG. 6 is a left end view thereof.

1 Claim, 2 Drawing Sheets

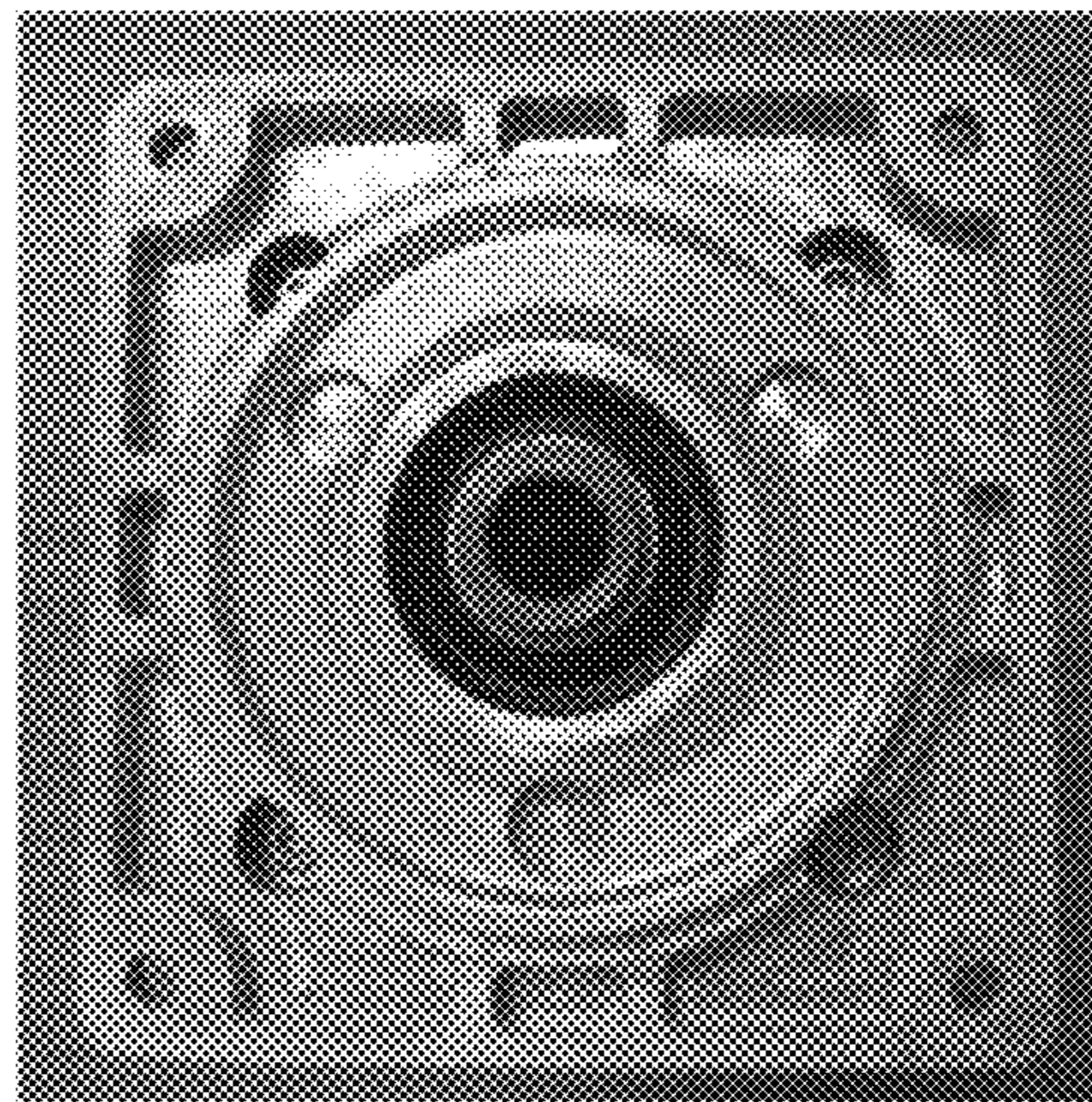
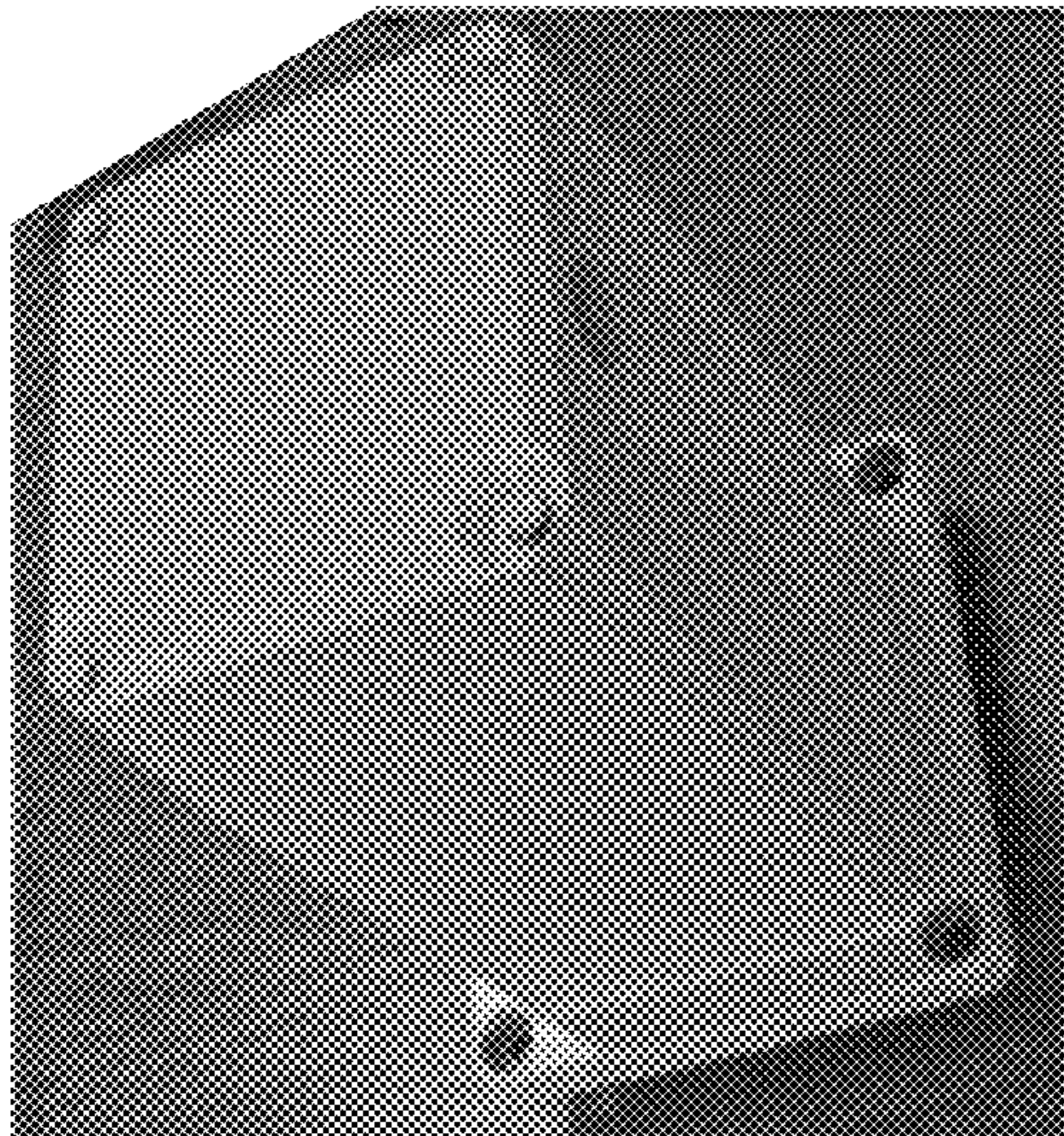


FIG. 1

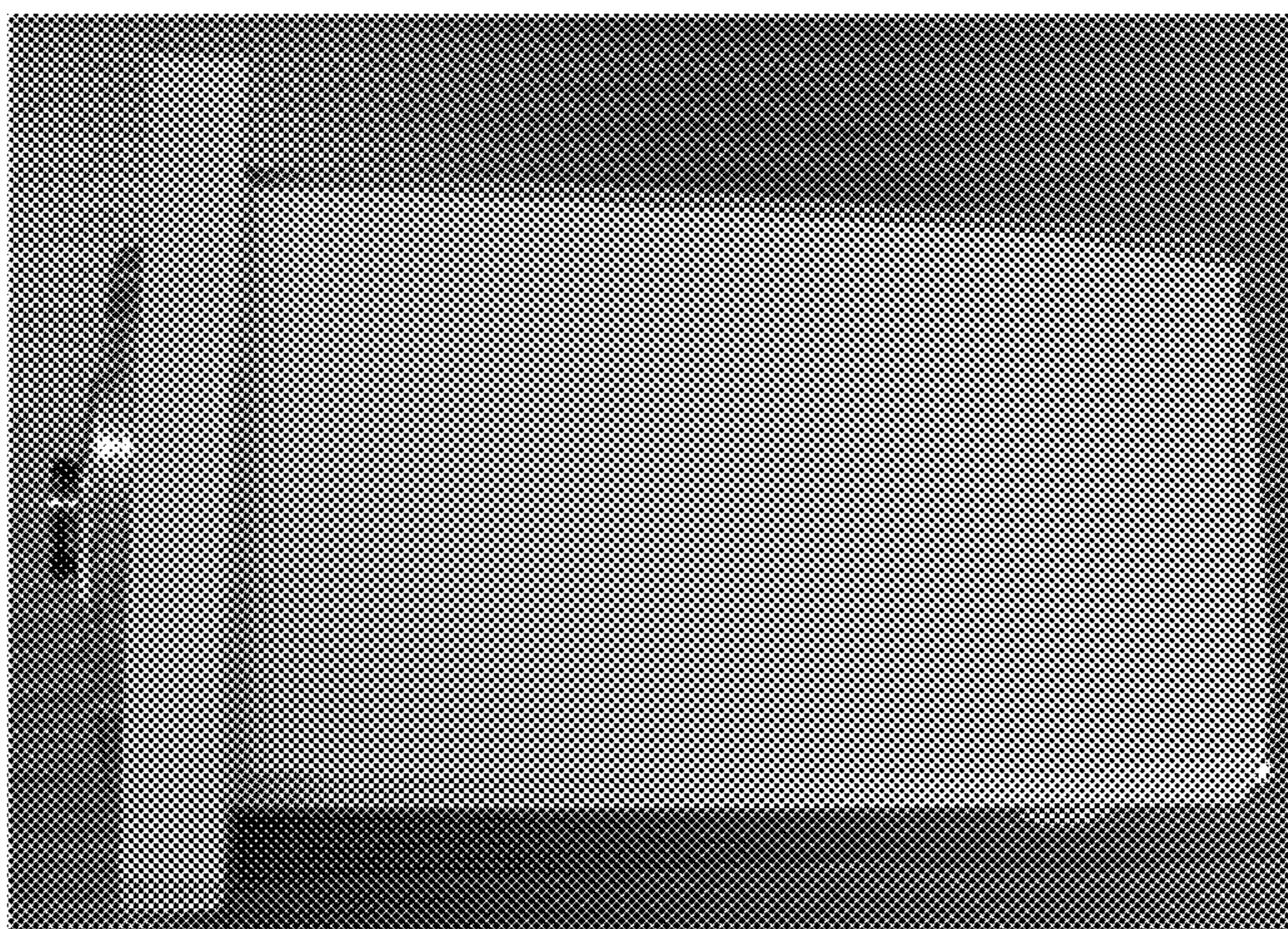


FIG. 2

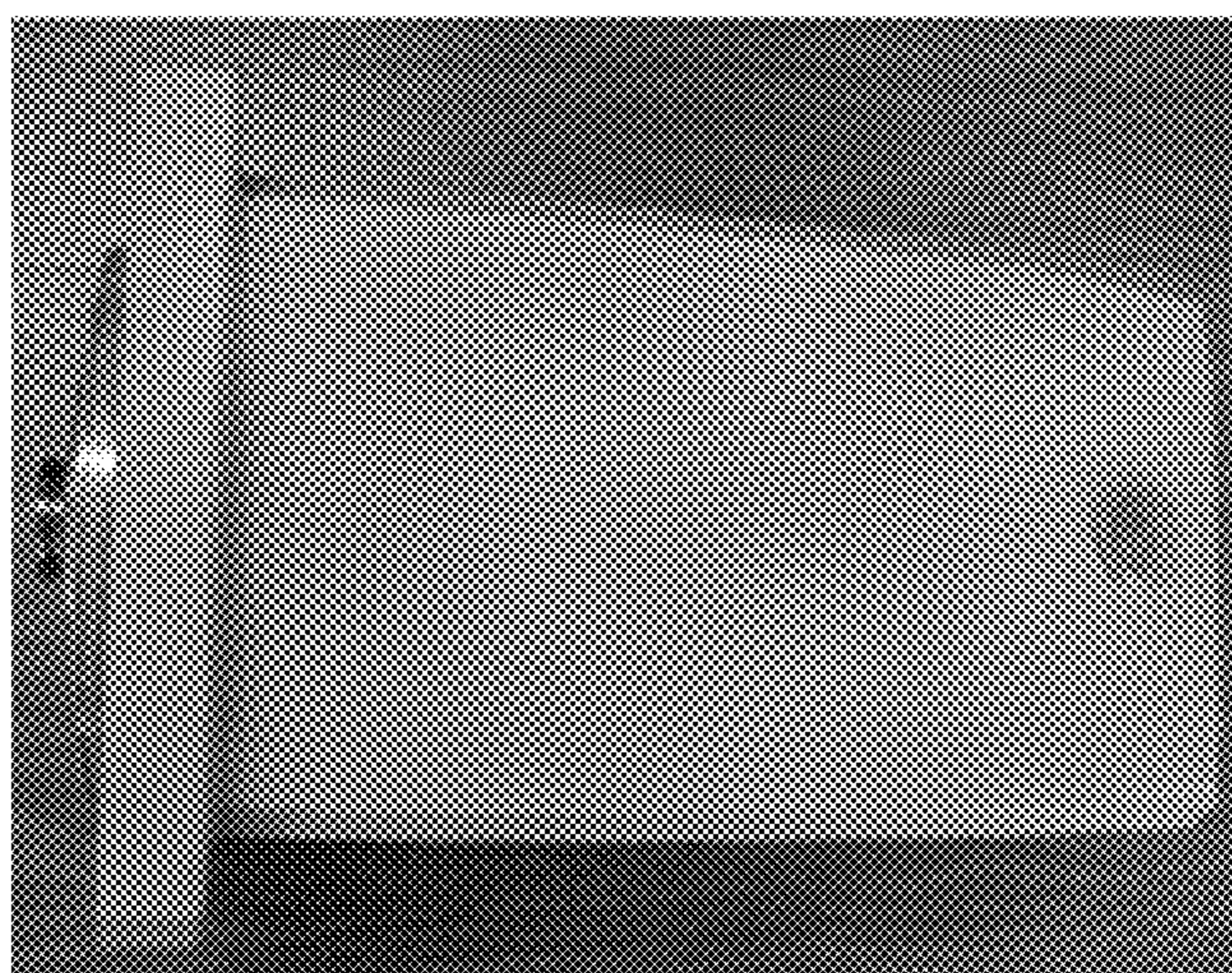


FIG. 3

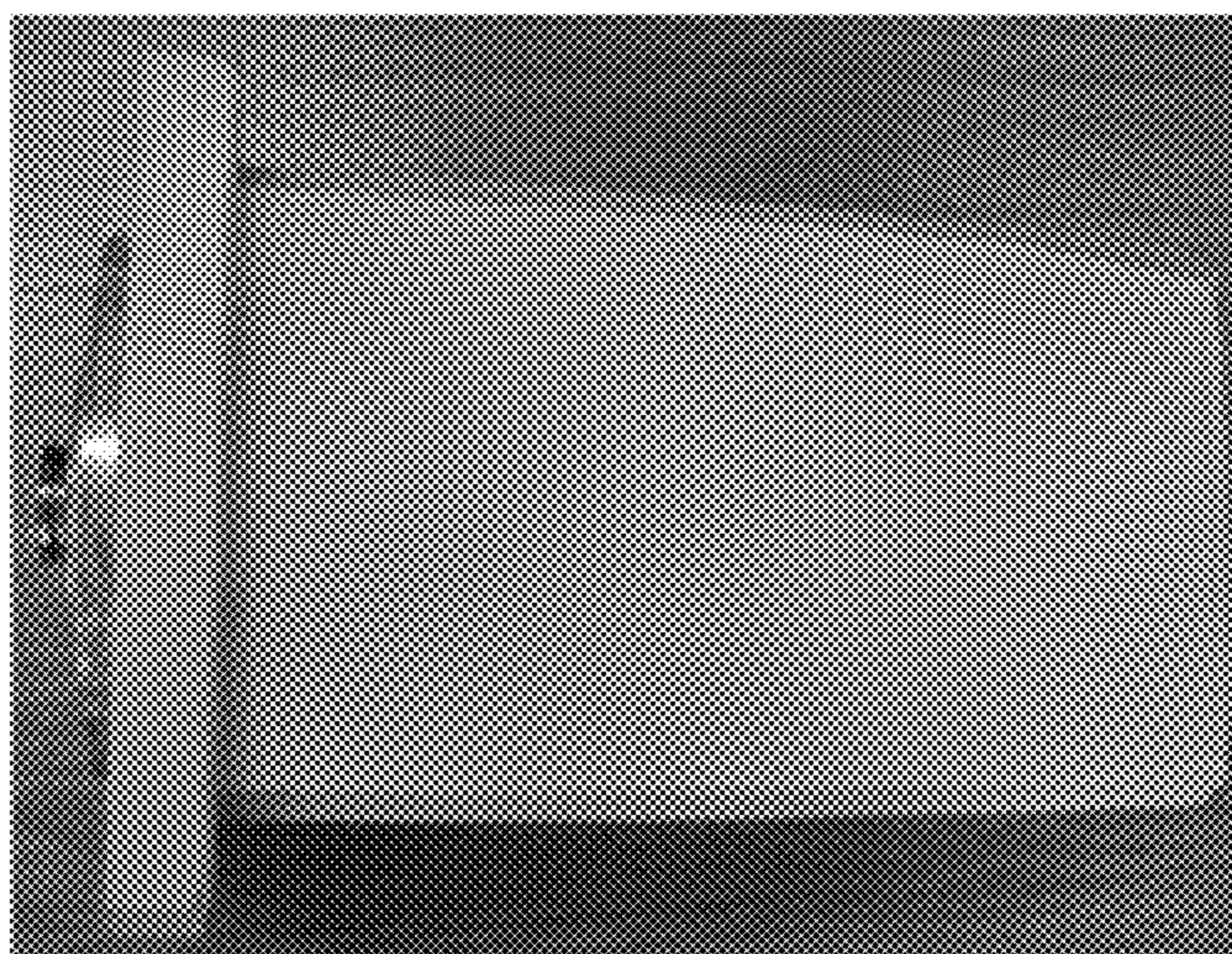


FIG. 4

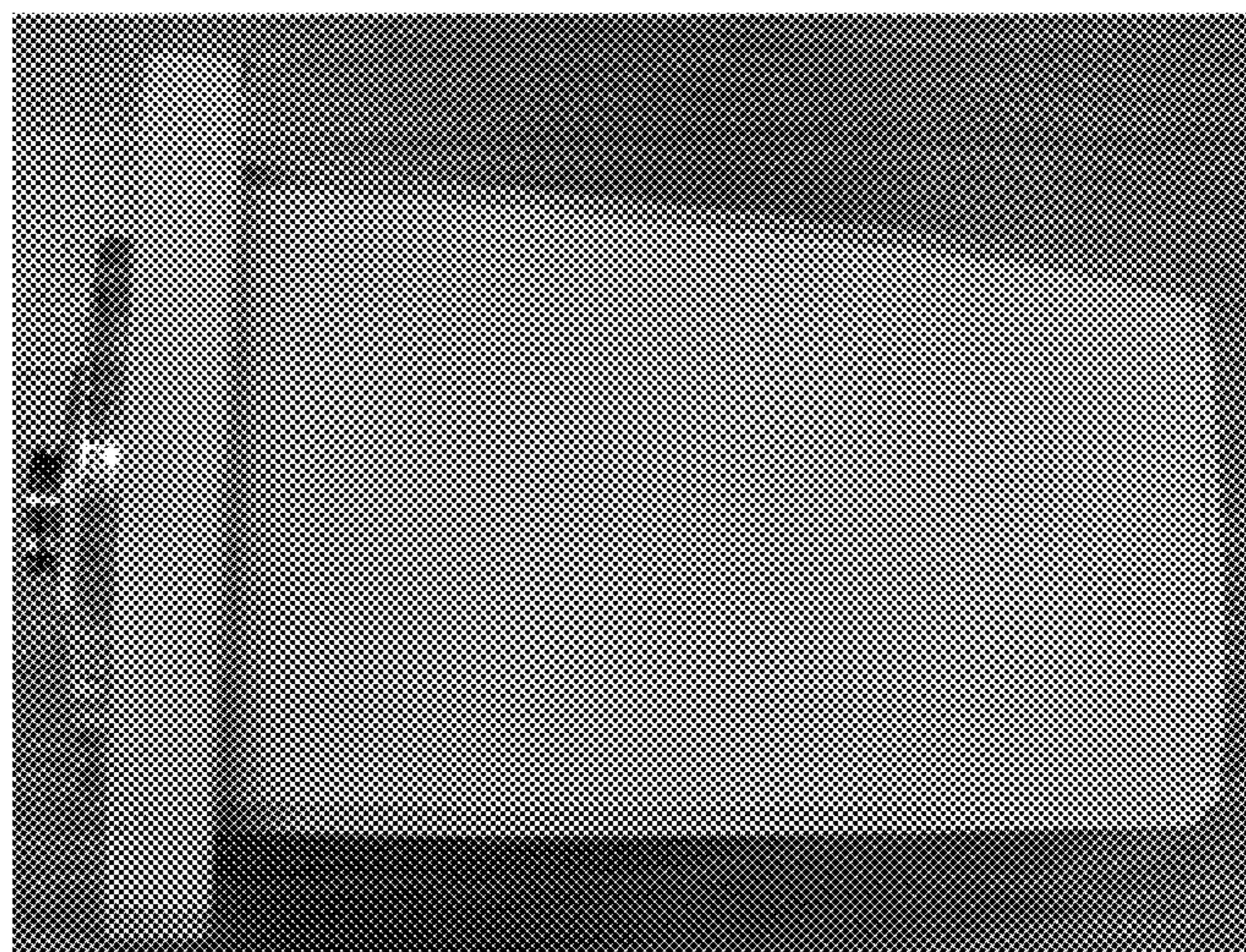


FIG. 5

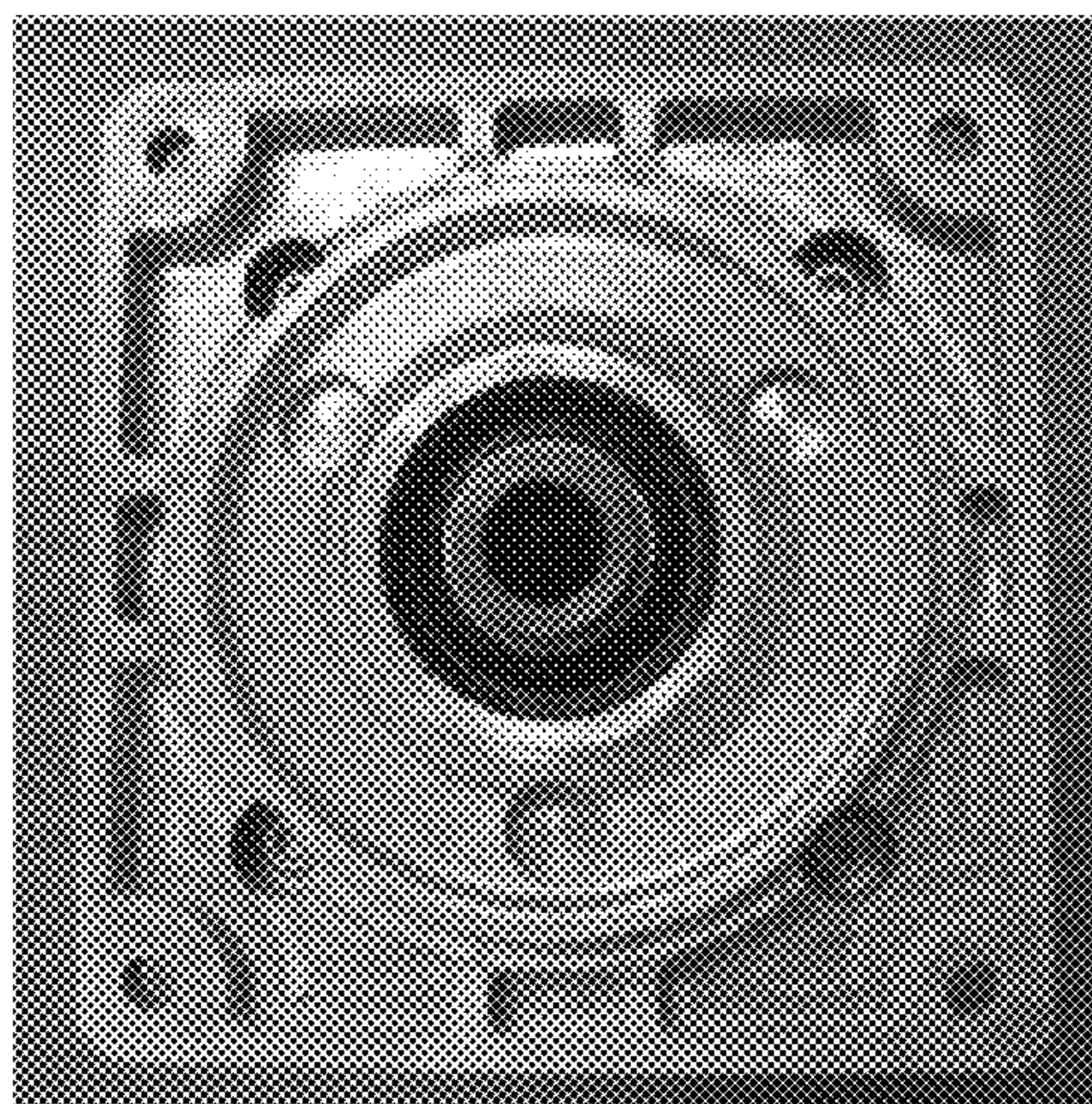
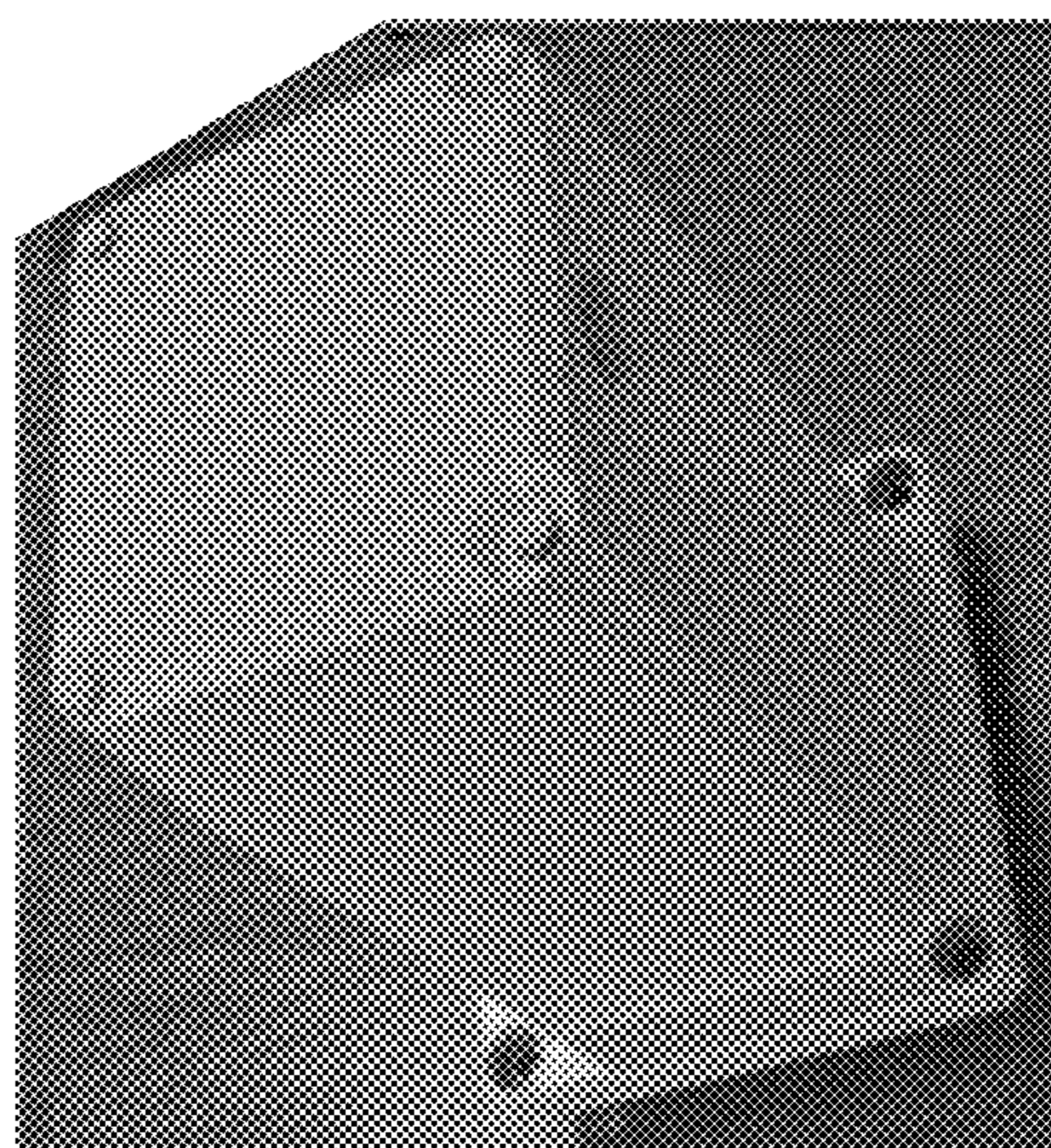


FIG. 6