



US00D628152S

(12) **United States Design Patent**
Fujii et al.

(10) **Patent No.:** **US D628,152 S**
(45) **Date of Patent:** **** Nov. 30, 2010**

(54) **DEVICE CHARGER WITH FOLDABLE POWER PLUGS**

(75) Inventors: **Tami Fujii**, Bellevue, WA (US);
Douglas Wegener, Seattle, WA (US);
Hector Nunez Realubit, Pasadena, CA (US);
Mario A. C. Escamilla, Irwindale, CA (US)

(73) Assignee: **T-Mobile USA, Inc.**, Bellevue, WA (US)

(**) Term: **14 Years**

(21) Appl. No.: **29/365,983**

(22) Filed: **Jul. 16, 2010**

(51) **LOC (9) Cl.** **13-02**

(52) **U.S. Cl.** **D13/108**

(58) **Field of Classification Search** D13/107-110,
D13/118-119, 133, 144, 184; D14/155,
D14/432, 434, 435.1, 356, 480.1-480.7;
320/107-115; 439/300, 620.01, 638, 668-669,
439/675, 825; 363/146

See application file for complete search history.

(56) **References Cited**

U.S. PATENT DOCUMENTS

D350,113 S * 8/1994 Nagele D13/110
D400,855 S * 11/1998 Lee D13/138.1

(Continued)

Primary Examiner—Rosemary K Tarcza

(74) *Attorney, Agent, or Firm*—Lee & Hayes, PLLC

(57) **CLAIM**

The ornamental design for a device charger with foldable power plugs, as shown and described.

DESCRIPTION

FIG. 1 is a perspective view of an device charger with foldable power plugs taken from the top, front, and right, and illustrating a first orientation;

FIG. 2 is another perspective view of the device charger with foldable power plugs taken from the bottom, back, and left, and illustrating a second orientation;

FIG. 3 is a perspective view similar to FIG. 2 but showing the device charger with foldable power plugs as it appears when the electrical contact prongs of the folding power plug and the car charger power plug are in unfolded positions;

FIG. 4 is a top plan view of the device charger with foldable power plugs of FIG. 1;

FIG. 5 is a top plan view similar to FIG. 4 but showing the device charger with foldable power plugs as it appears when the car charger power plug is in an unfolded position;

FIG. 6 is a bottom plan view of the device charger with foldable power plugs of FIG. 1;

FIG. 7 is a bottom plan view similar to FIG. 6 but showing the device charger with foldable power plugs as it appears when the electrical contact prongs of the folding power plug and the car charger power plug are in unfolded positions;

FIG. 8 is a front elevation view of the device charger with foldable power plugs of FIG. 1;

FIG. 9 is a front elevation view similar to FIG. 8 but showing the device charger with foldable power plugs as it appears when the electrical contact prongs of the folding power plug and the car charger power plug are in unfolded positions;

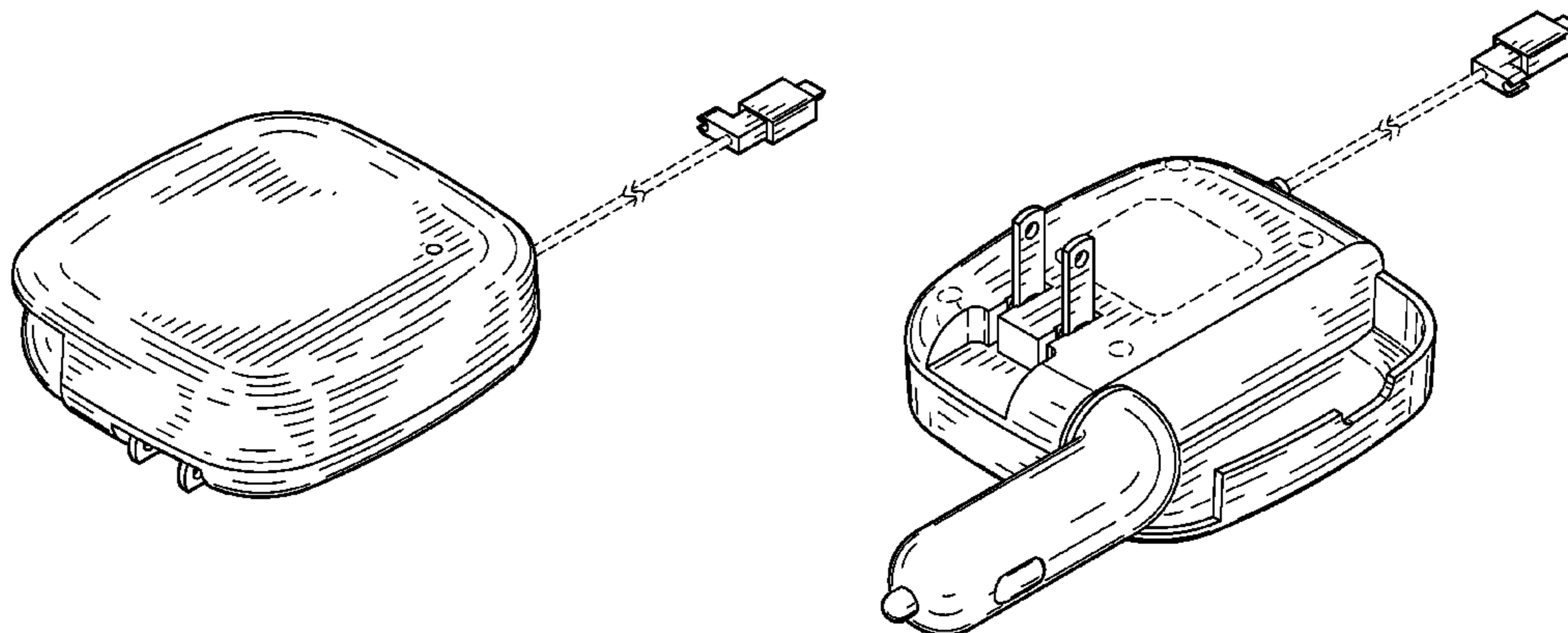
FIG. 10 is a back elevation view of the device charger with foldable power plugs of FIG. 1;

FIG. 11 is a right side elevation view of the device charger with foldable power plugs of FIG. 1; and,

FIG. 12 is a left side elevation view of the device charger with foldable power plugs of FIG. 1.

The broken lines are directed to environment and are for illustrative purposes only. The broken lines form no part of the claimed design.

1 Claim, 6 Drawing Sheets



US D628,152 S

Page 2

U.S. PATENT DOCUMENTS

5,847,545	A *	12/1998	Chen et al.	320/138	D574,833	S *	8/2008	Hussaini et al.	D14/432
7,012,403	B2 *	3/2006	Hwang	320/107	D585,825	S *	2/2009	Ji	D13/108
D543,940	S *	6/2007	Hussaini et al.	D13/144	D599,738	S *	9/2009	Amidei et al.	D13/110
D546,287	S *	7/2007	Tanishita	D13/144	D610,094	S *	2/2010	Ouimette et al.	D13/144
D547,266	S *	7/2007	Wong	D13/110	7,746,029	B2 *	6/2010	Toya	320/107
					2008/0284371	A1 *	11/2008	Hsu	320/111

* cited by examiner

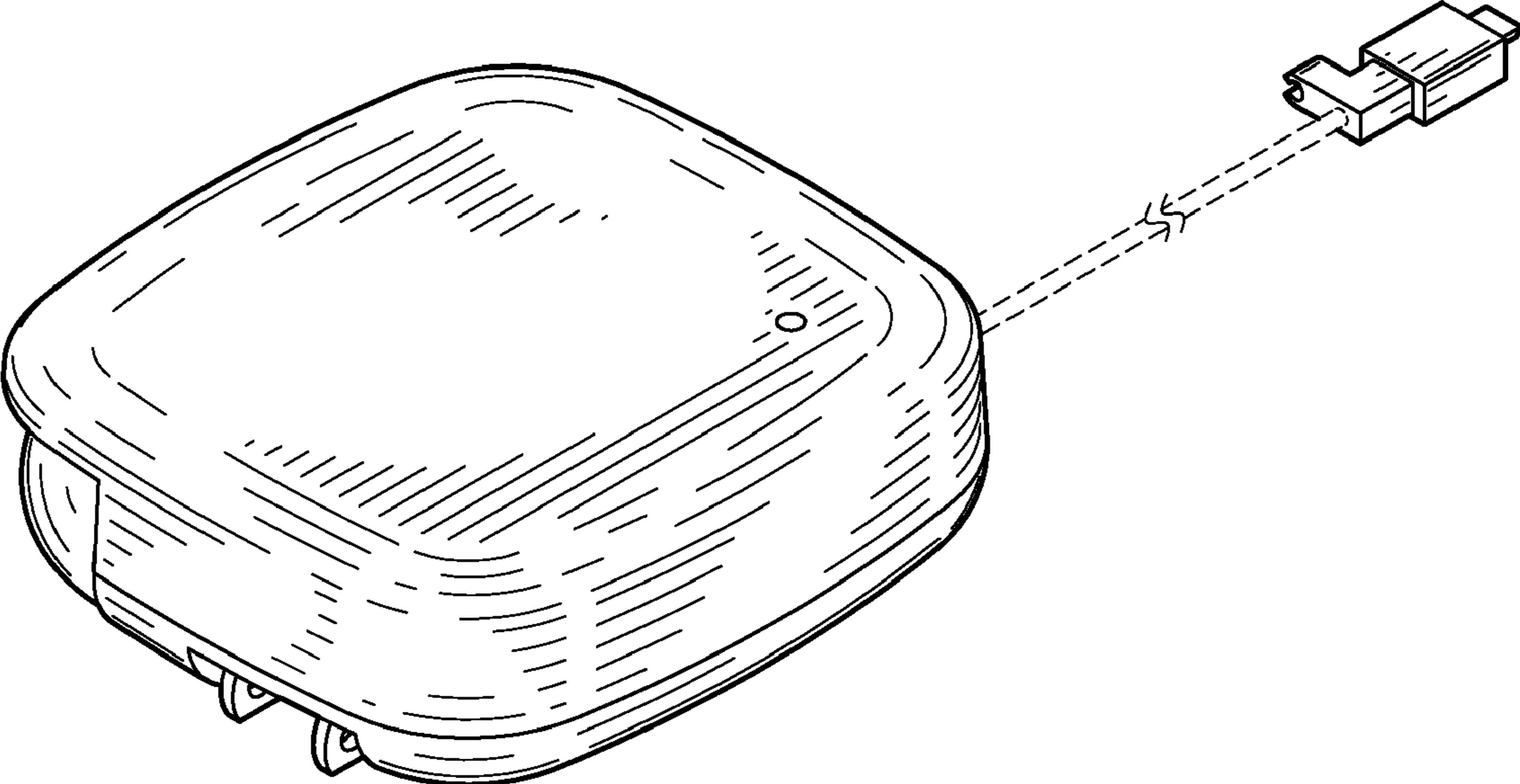


FIG. 1

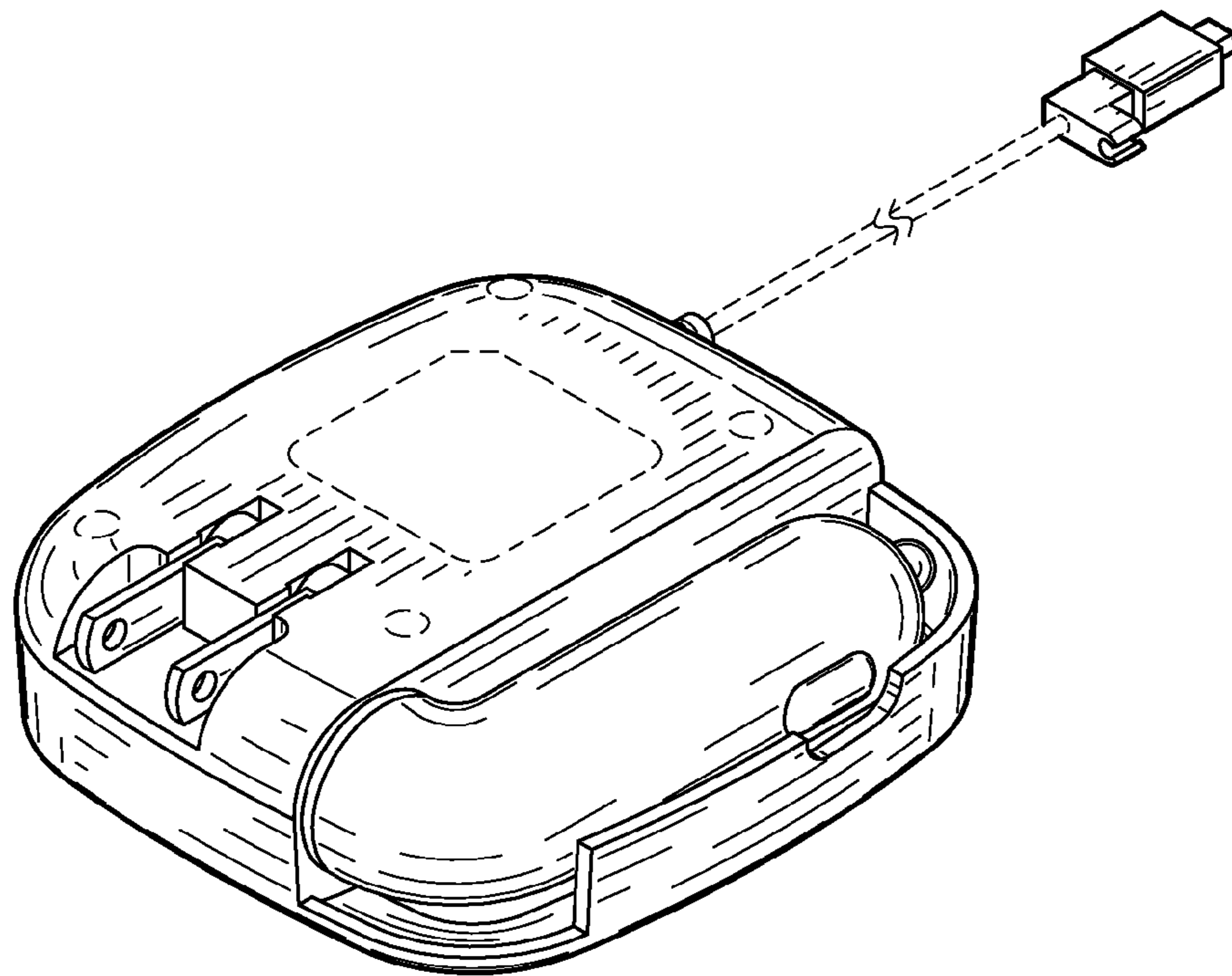


FIG. 2

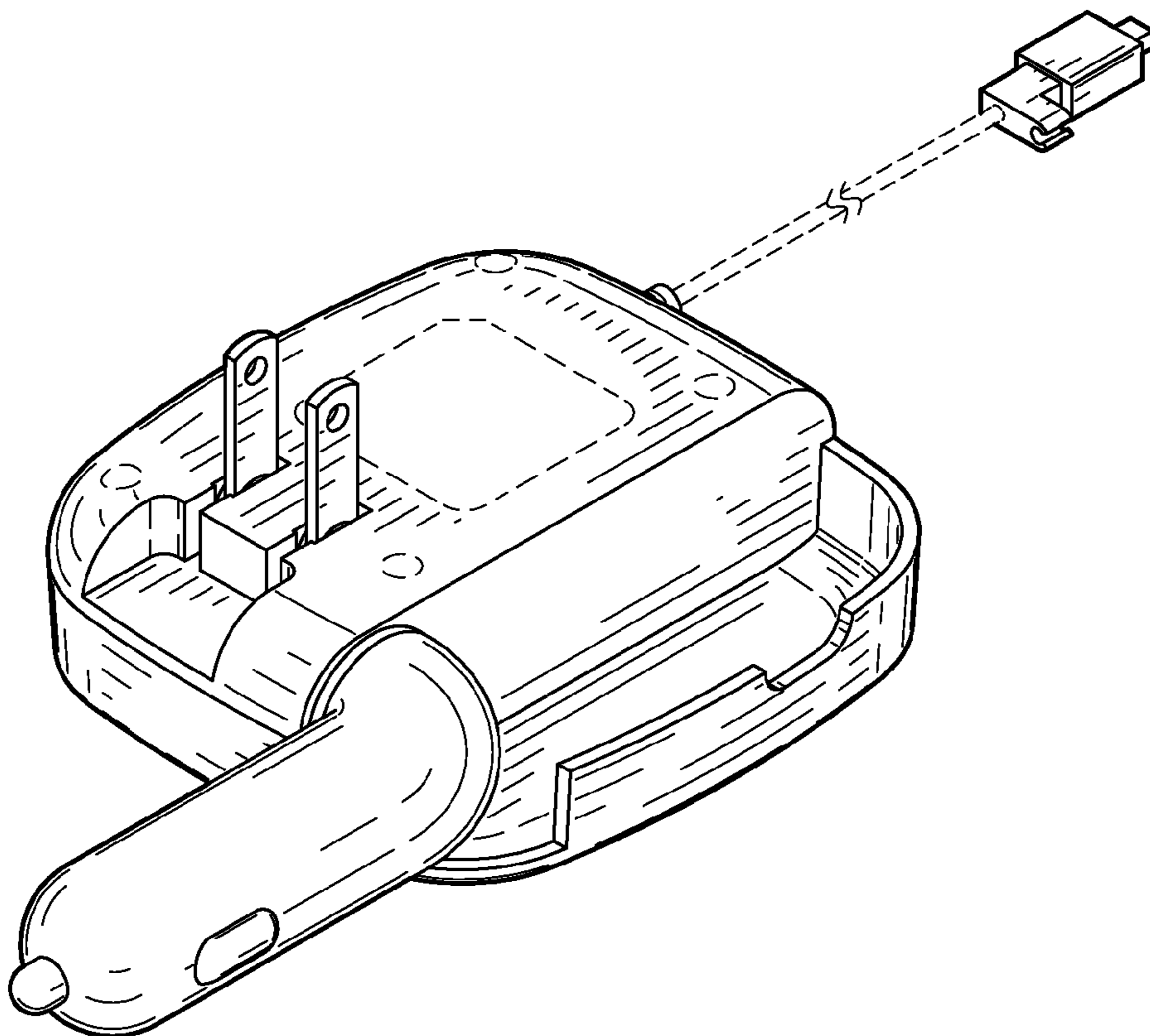


FIG. 3

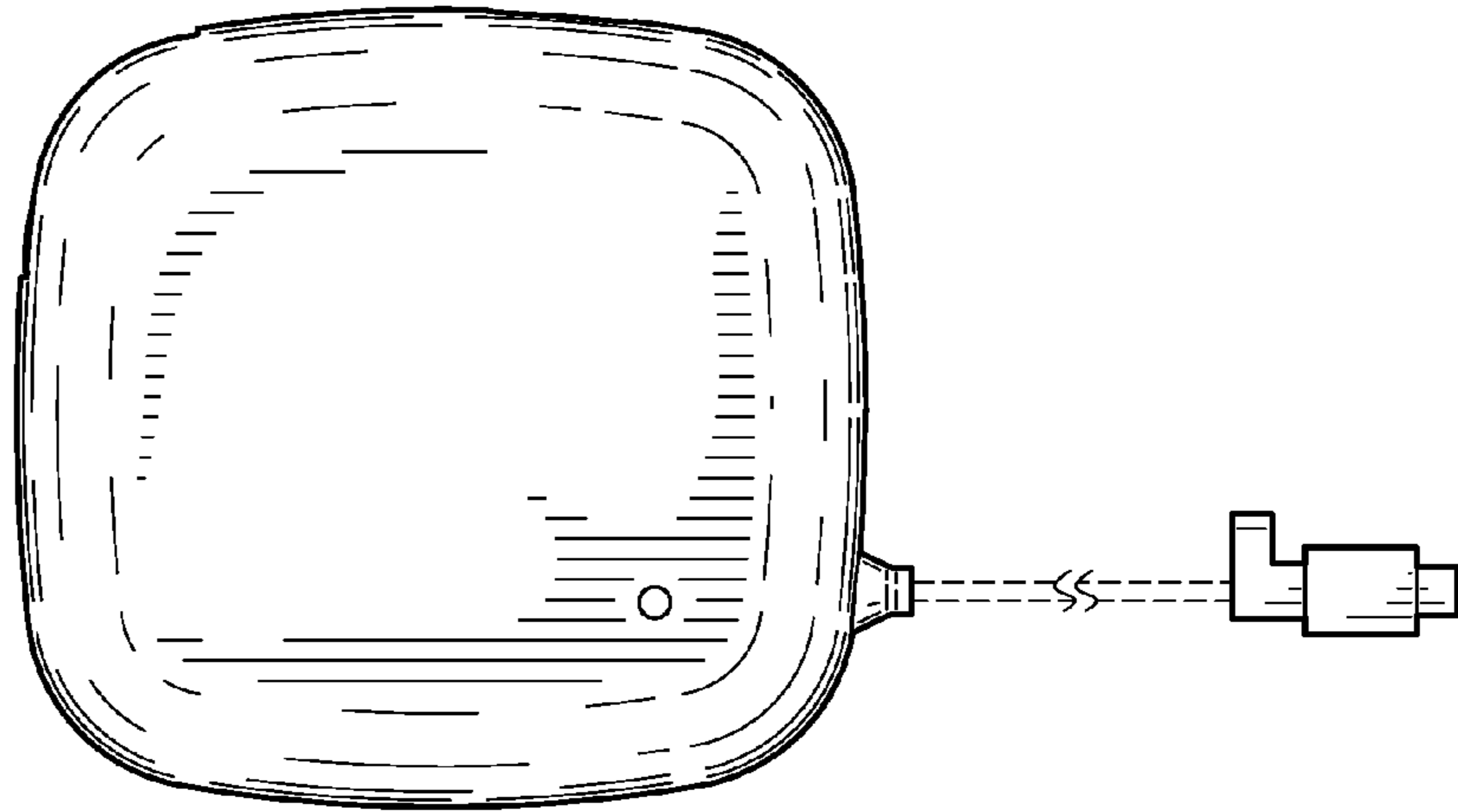


FIG. 4

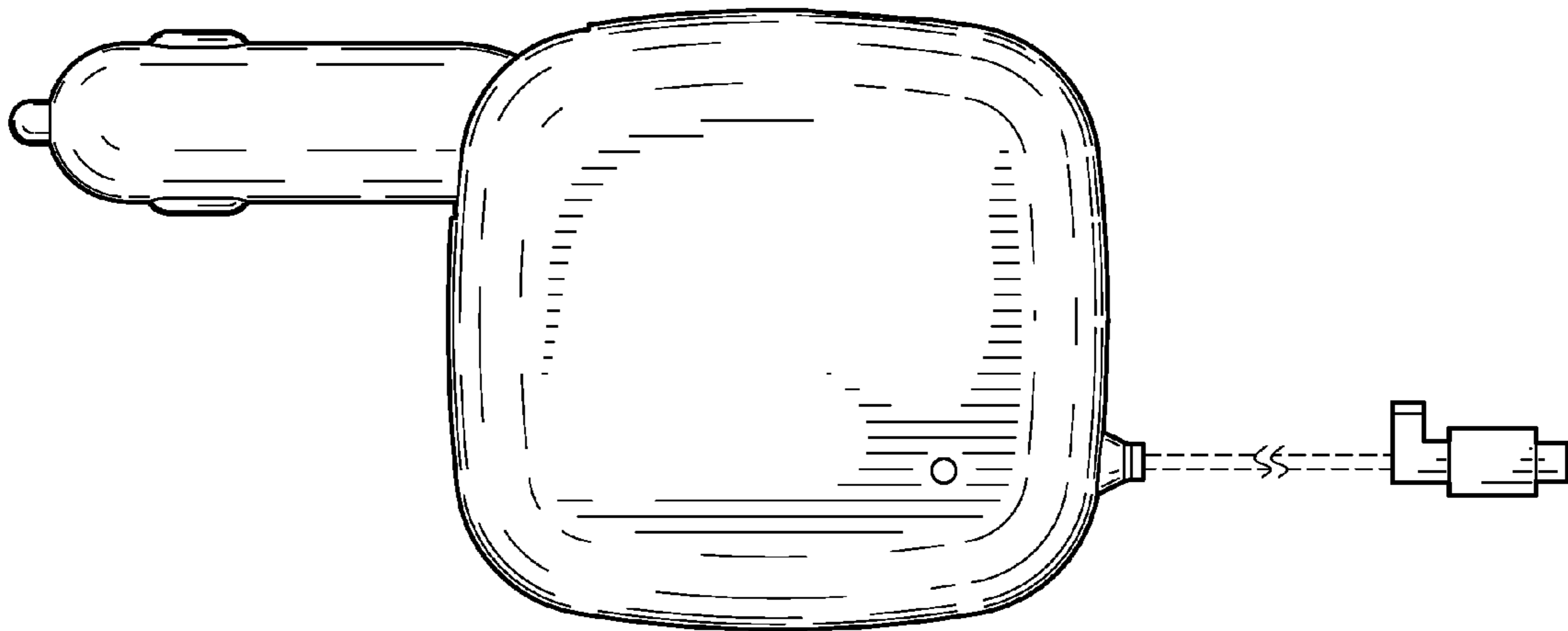


FIG. 5

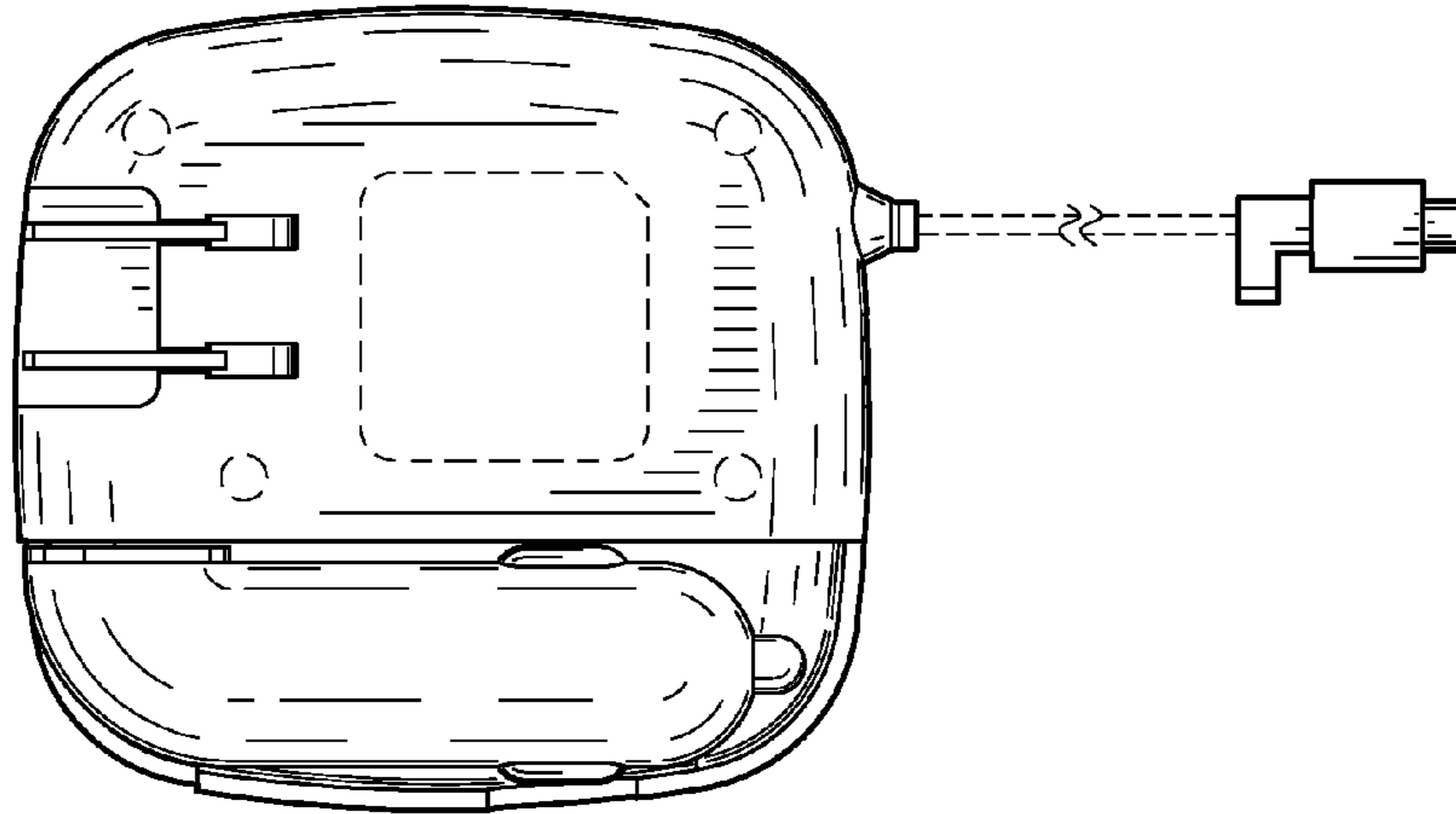


FIG. 6

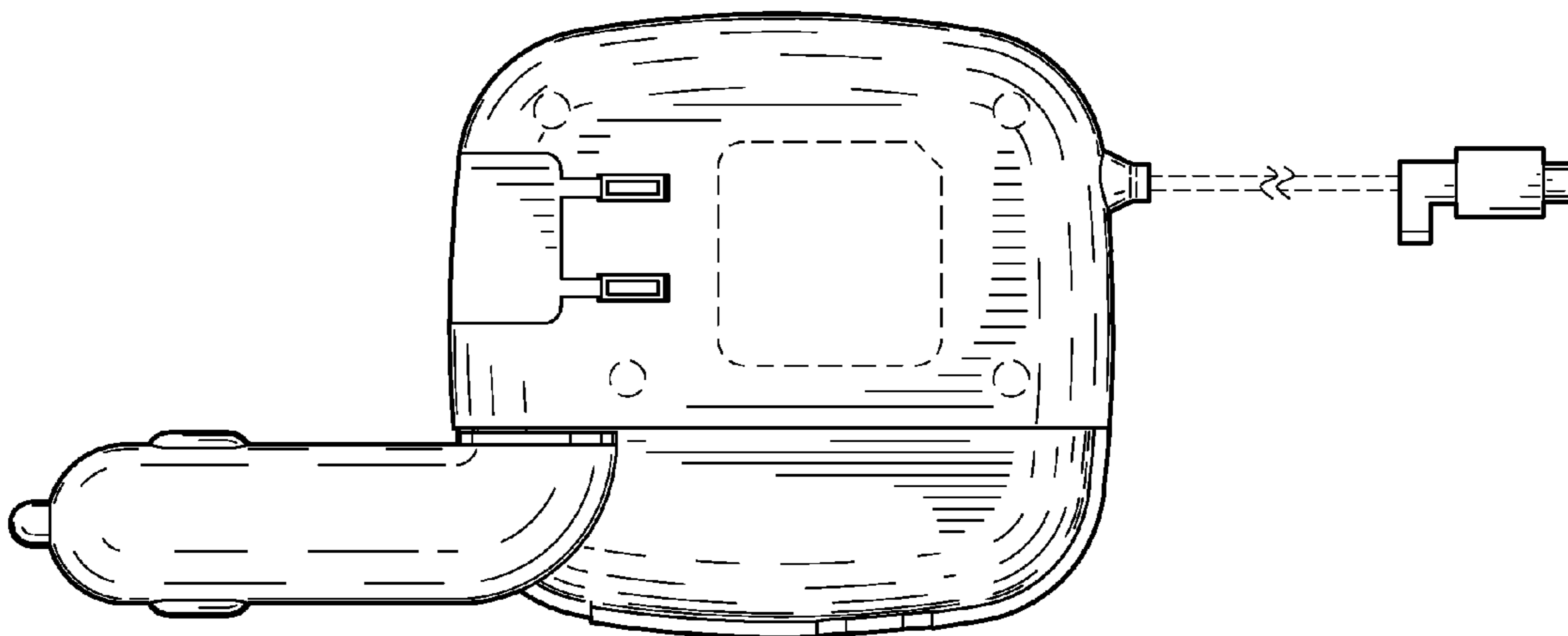


FIG. 7

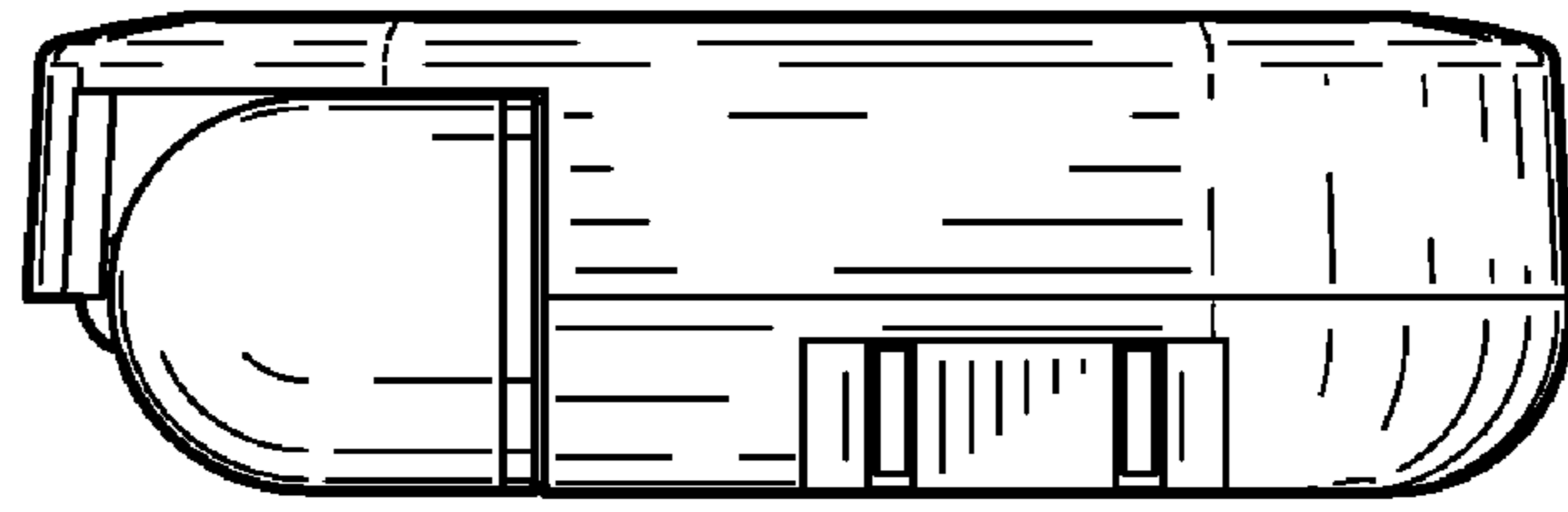


FIG. 8

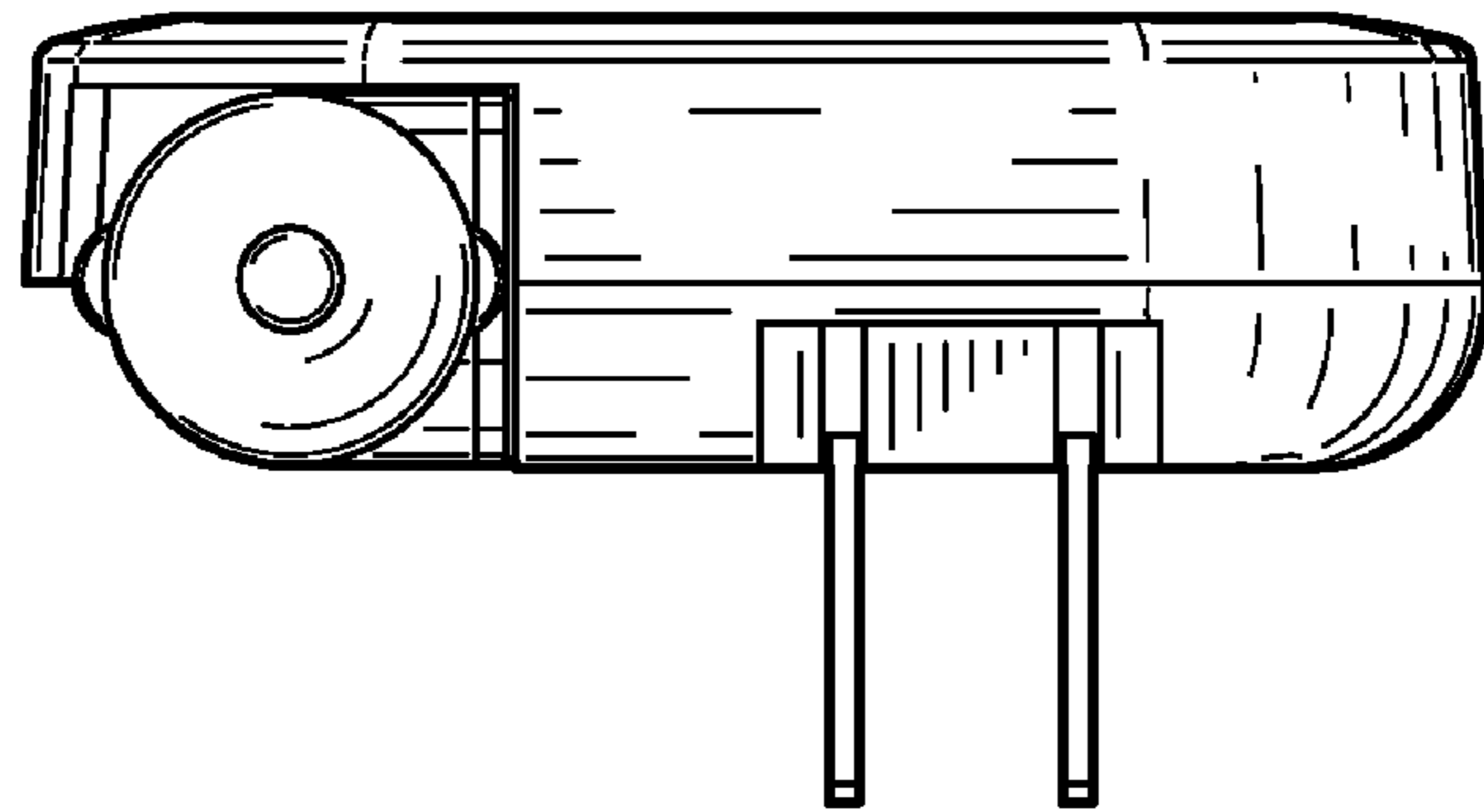


FIG. 9

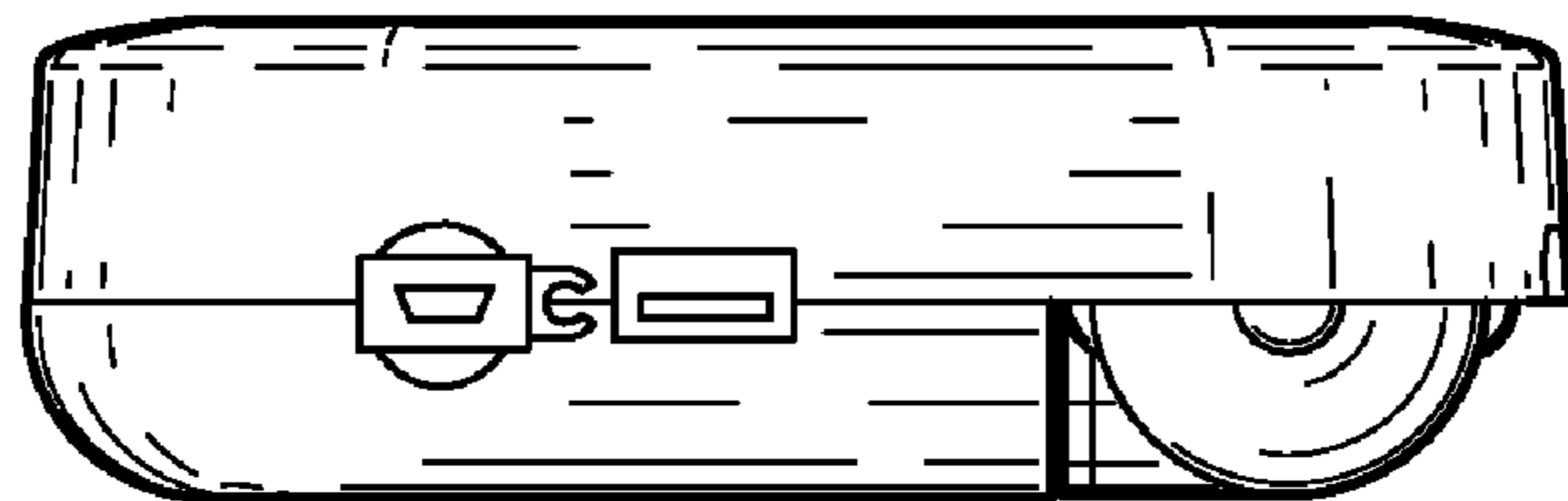


FIG. 10

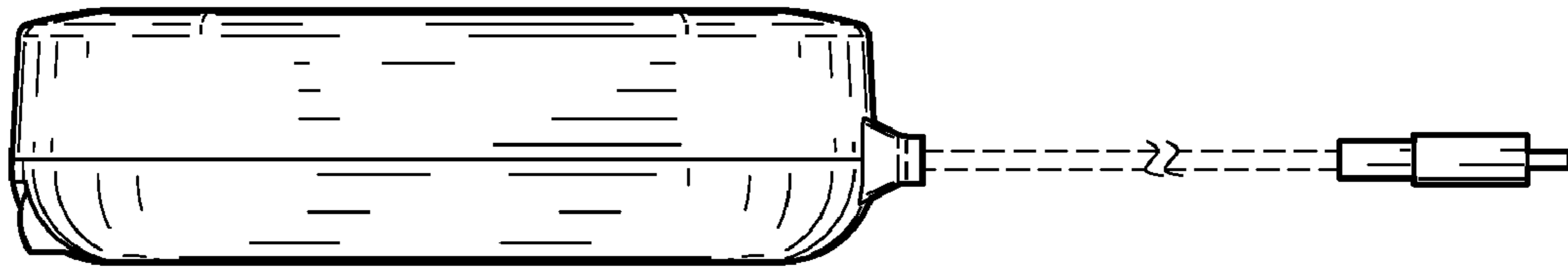


FIG. 11

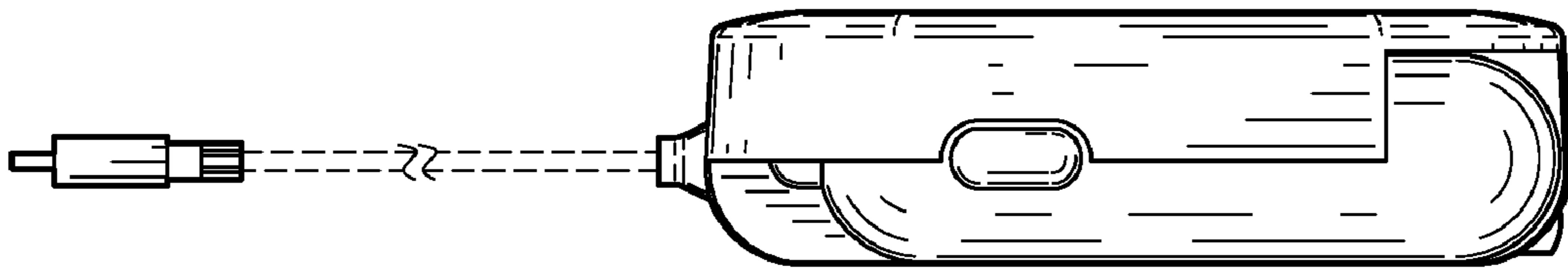


FIG. 12