



US00D628151S

(12) **United States Design Patent**
Wegener et al.

(10) **Patent No.:** **US D628,151 S**

(45) **Date of Patent:** **** Nov. 30, 2010**

(54) **DEVICE CHARGER WITH FOLDING POWER PLUG AND MICRO USB CONNECTIONS**

DESCRIPTION

(75) Inventors: **Douglas Wegener**, Seattle, WA (US); **Tami Fujii**, Bellevue, WA (US); **Teresa Olding**, Seattle, WA (US); **David Thorpe**, Portland, OR (US); **Meral Middleton**, Portland, OR (US); **Idefonso Resuello**, Portland, OR (US); **Pierre Harper**, Portland, OR (US); **Hector Nunez Realubit**, Pasadena, CA (US); **Mario A. C. Escamilla**, Irwindale, CA (US)

FIG. 1 is a perspective view of an device charger with folding power plug and micro USB connections taken from the top, right, and front, and illustrating a first orientation;

FIG. 2 is another perspective view of the device charger with folding power plug and micro USB connections taken from the bottom, left, and front, and illustrating a second orientation;

(73) Assignee: **T-Mobile USA, Inc.**, Bellevue, WA (US)

FIG. 3 is a perspective view similar to FIG. 2 but showing the device charger with folding power plug and micro USB connections as it appears when the electrical contact prongs of the folding power plug are in an unfolded position;

(**) Term: **14 Years**

FIG. 4 is a top plan view of the device charger with folding power plug and micro USB connections of FIG. 1;

(21) Appl. No.: **29/365,974**

FIG. 5 is a bottom plan view of the device charger with folding power plug and micro USB connections of FIG. 1;

(22) Filed: **Jul. 16, 2010**

FIG. 6 is a left side elevation view of the device charger with folding power plug and micro USB connections of FIG. 1;

(51) **LOC (9) Cl.** **13-02**

(52) **U.S. Cl.** **D13/108**

(58) **Field of Classification Search** D13/107-110, D13/118-119, 184; D14/251, 253, 432, D14/434, 435.1, 356, 480.1-480.7; 320/107-115
See application file for complete search history.

FIG. 7 is a left side elevation view similar to FIG. 6 but showing the device charger with folding power plug and micro USB connections as it appears when the electronic contact prongs of the folding power plug are in an unfolded position;

(56) **References Cited**

U.S. PATENT DOCUMENTS

D367,257 S * 2/1996 Buelow et al. D13/110

FIG. 8 is a right side elevation view of the device charger with folding power plug and micro USB connections of FIG. 1;

FIG. 9 is a front elevation view of the device charger with folding power plug and micro USB connections of FIG. 1; and,

(Continued)

Primary Examiner—Rosemary K Tarcza

(74) *Attorney, Agent, or Firm*—Lee & Hayes, PLLC

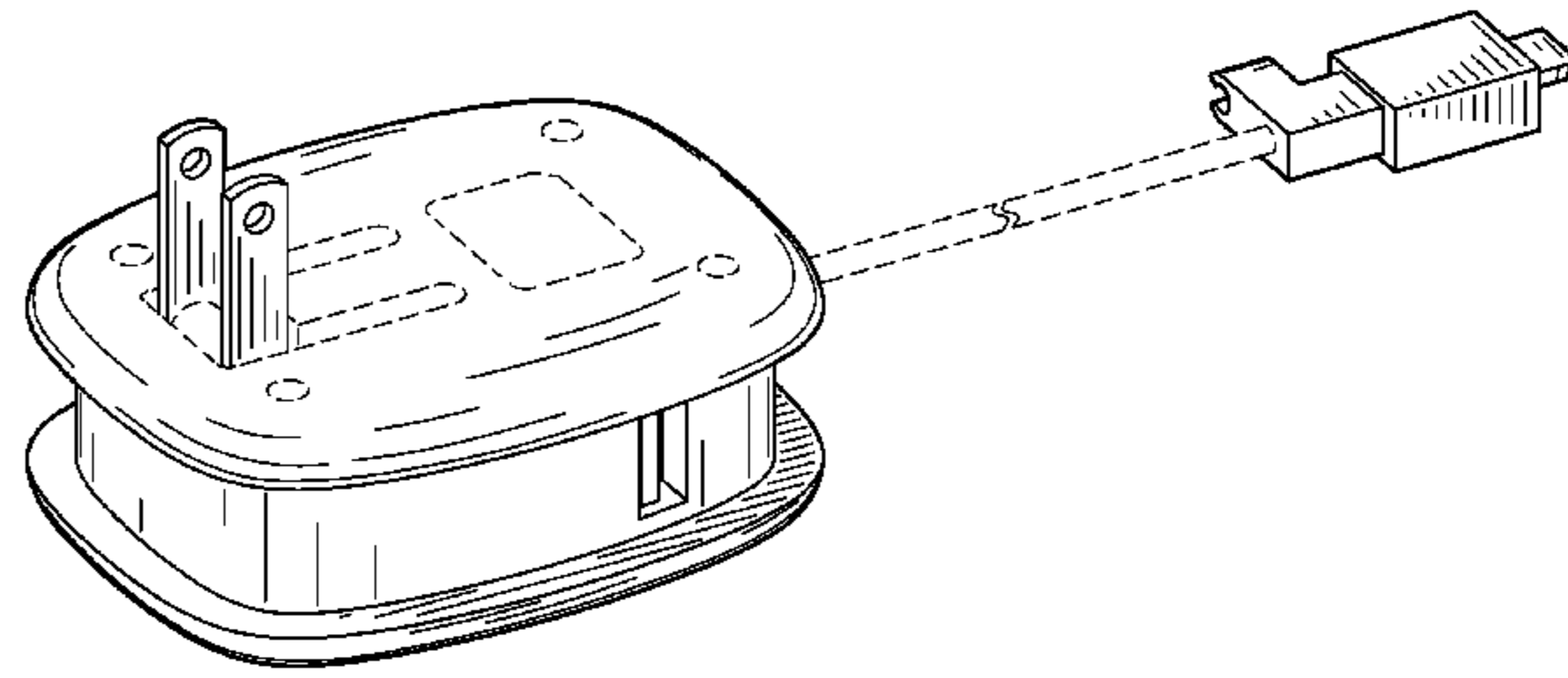
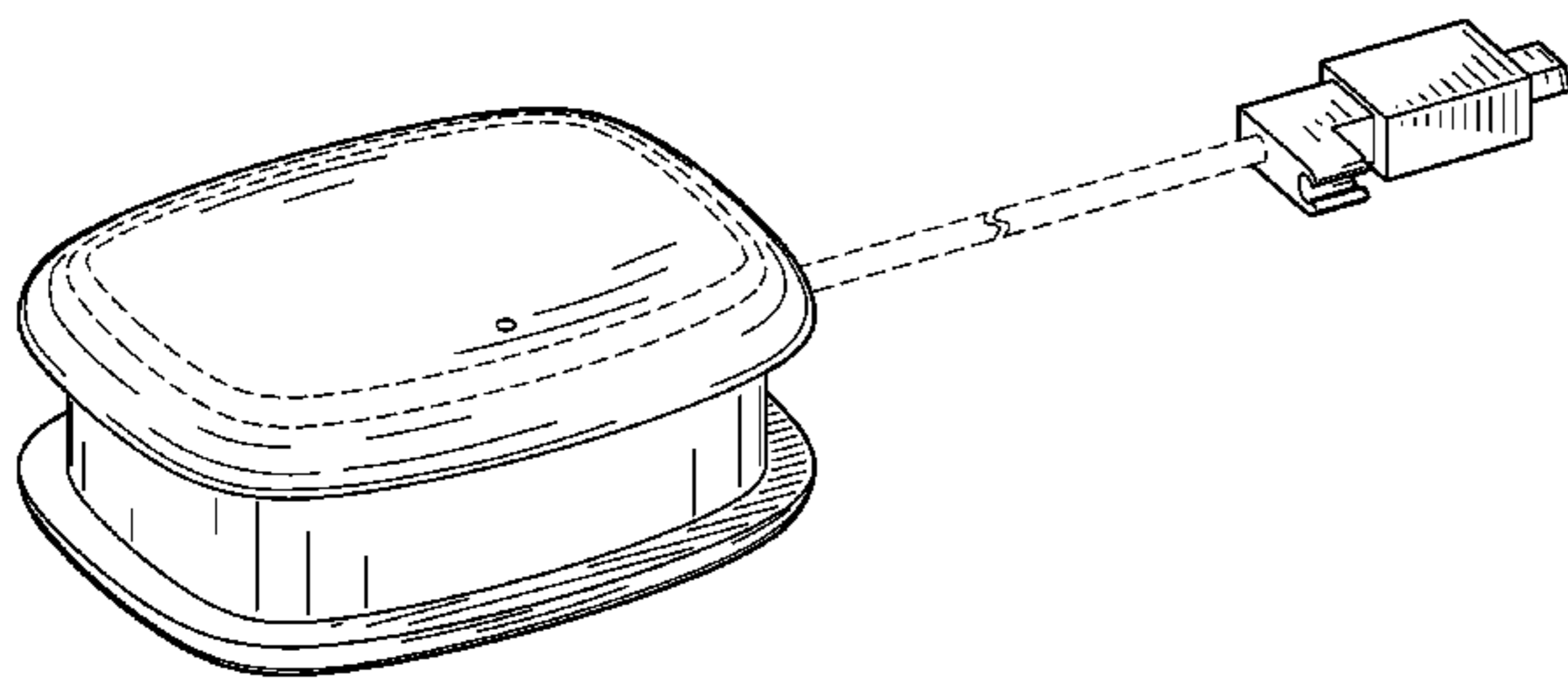
FIG. 10 is a back elevation view of the device charger with folding power plug and micro USB connections of FIG. 1.

The broken lines are directed to environment and are for illustrative purposes only. The broken lines form no part of the claimed design.

(57) **CLAIM**

The ornamental design for a device charger with folding power plug and micro USB connections, as shown and described.

1 Claim, 6 Drawing Sheets



US D628,151 S

Page 2

U.S. PATENT DOCUMENTS

D369,343 S *	4/1996	Bliven	D13/108	D556,679 S *	12/2007	Weinstein et al.	D13/103
D375,483 S *	11/1996	Tashiro	D13/110	D570,772 S *	6/2008	Mahaffey et al.	D13/110
D379,346 S *	5/1997	Mieki	D13/107	D592,138 S *	5/2009	Mahaffey et al.	D13/123
D383,115 S *	9/1997	Nagele et al.	D13/110	D599,737 S *	9/2009	Amidei et al.	D13/110
D406,259 S *	3/1999	Lindahl	D13/110	D599,738 S *	9/2009	Amidei et al.	D13/110
D456,008 S *	4/2002	Kawanobe et al.	D13/110	D618,237 S *	6/2010	Wang	D14/356
D512,718 S *	12/2005	Mori et al.	D14/434	7,746,029 B2 *	6/2010	Toya	320/107
D547,266 S *	7/2007	Wong	D13/110	2003/0111978 A1 *	6/2003	Wang	320/114
D555,590 S *	11/2007	Dong et al.	D13/110	2003/0117106 A1 *	6/2003	Hwang	320/107

* cited by examiner

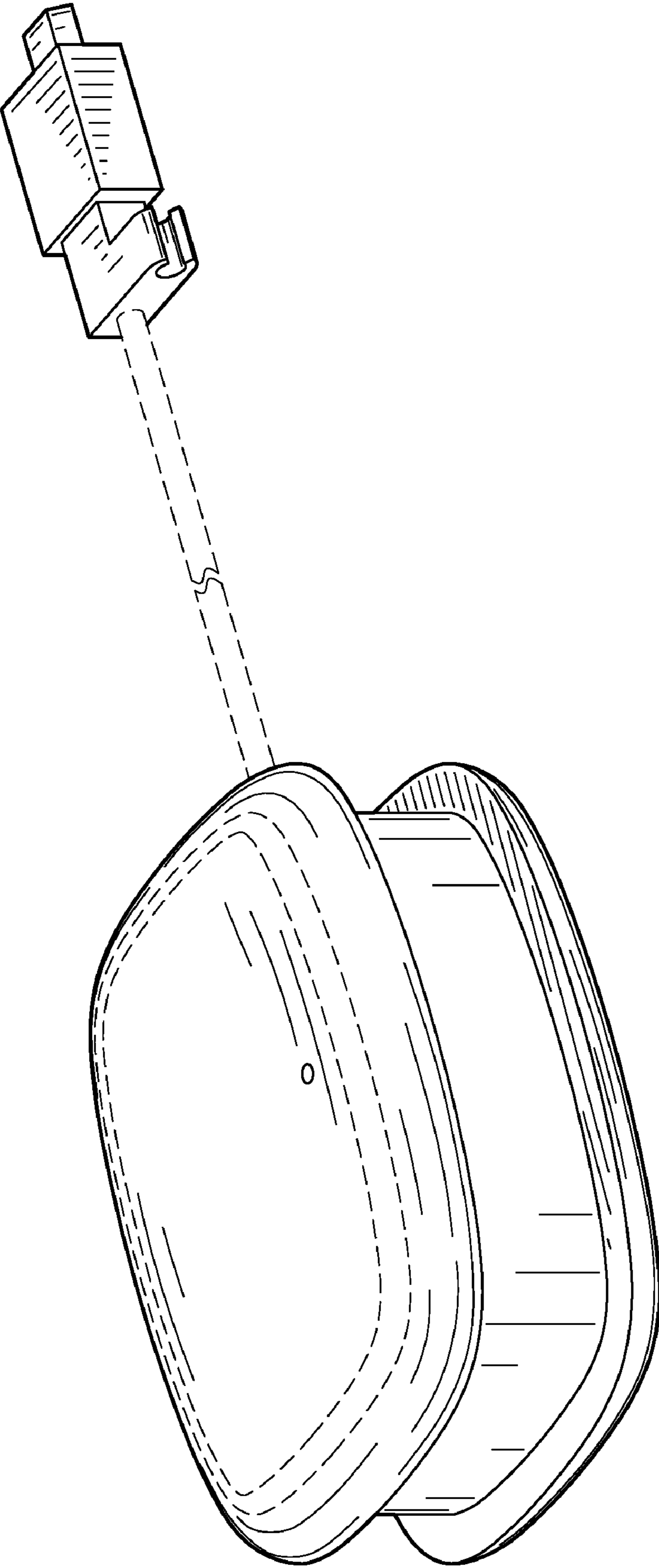


FIG. 1

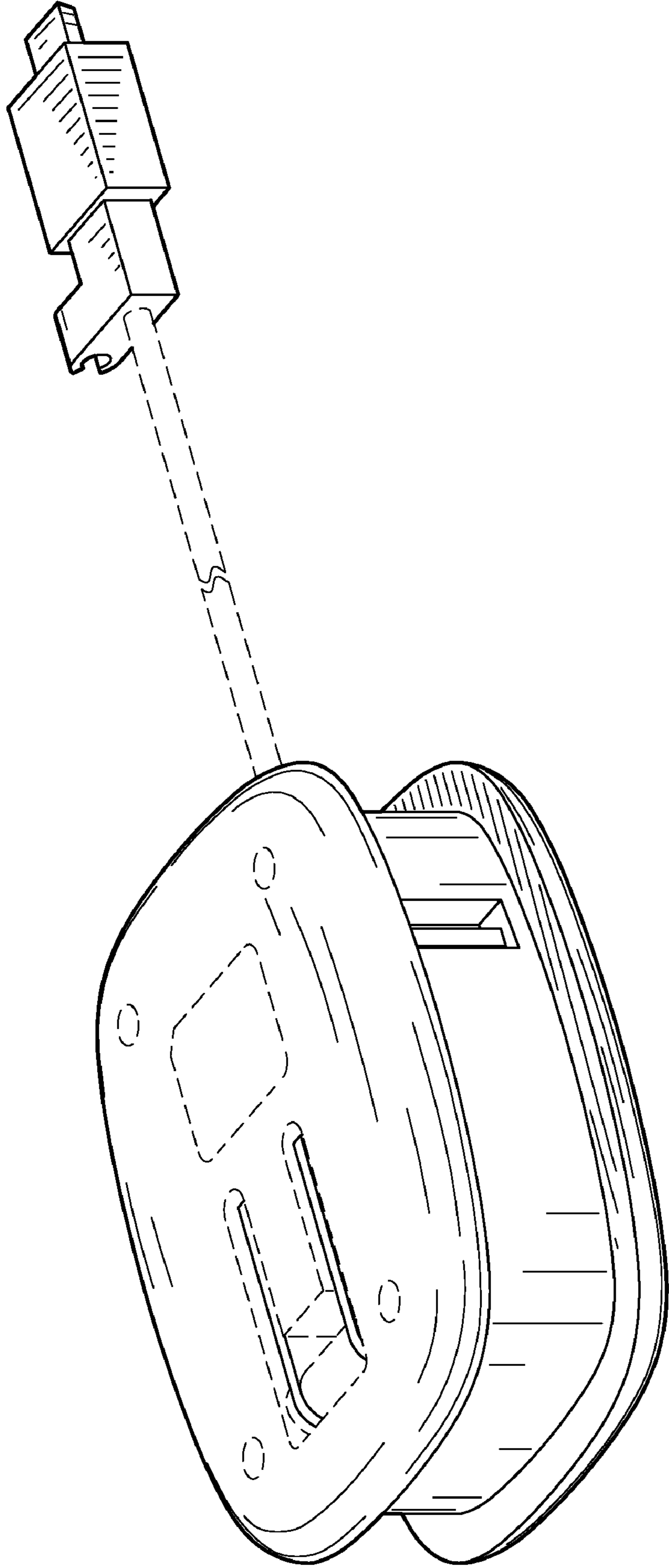


FIG. 2

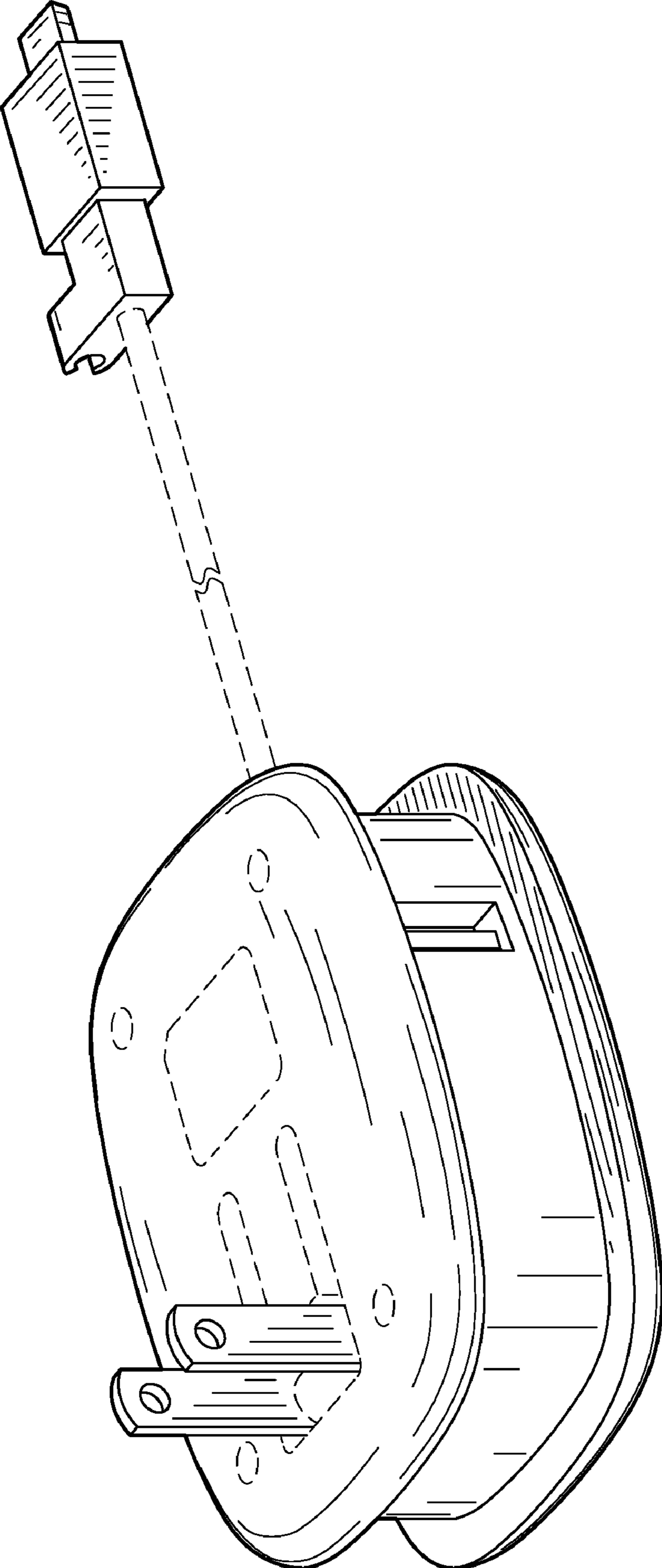


FIG. 3

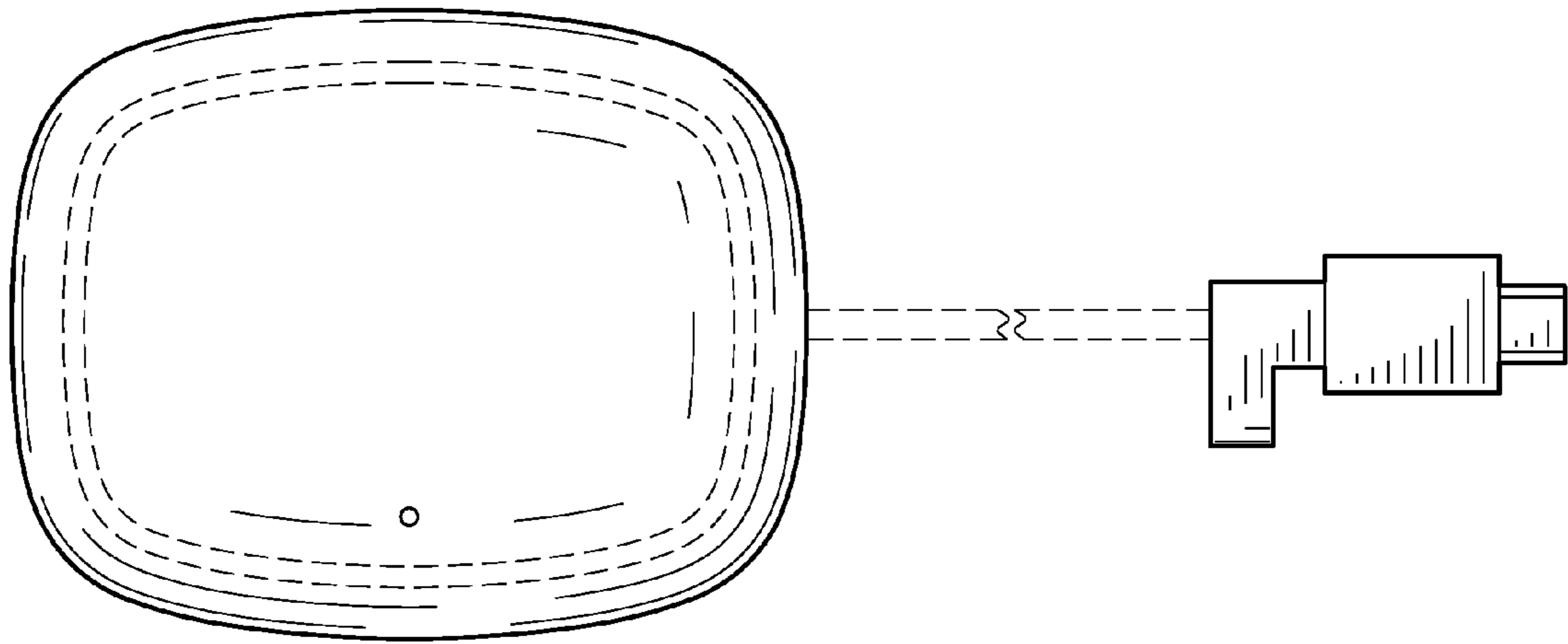


FIG. 4

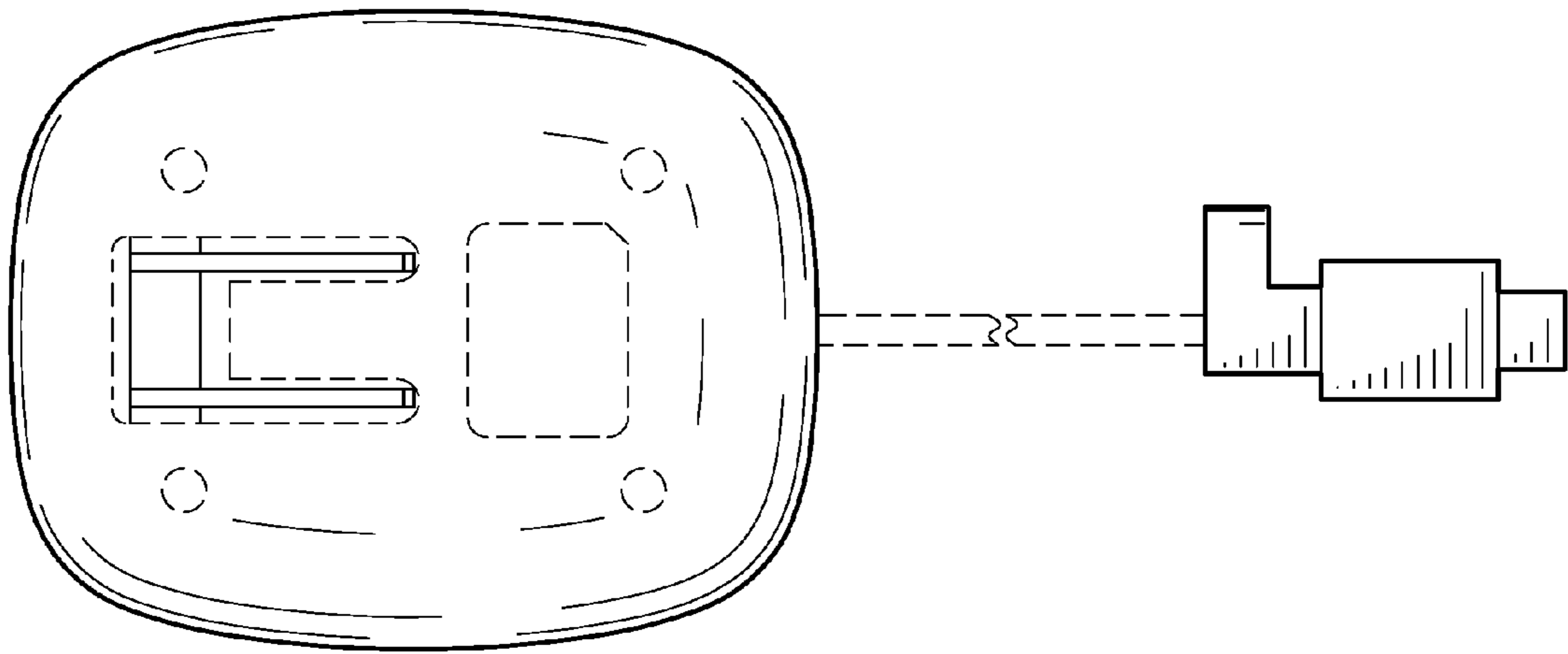


FIG. 5

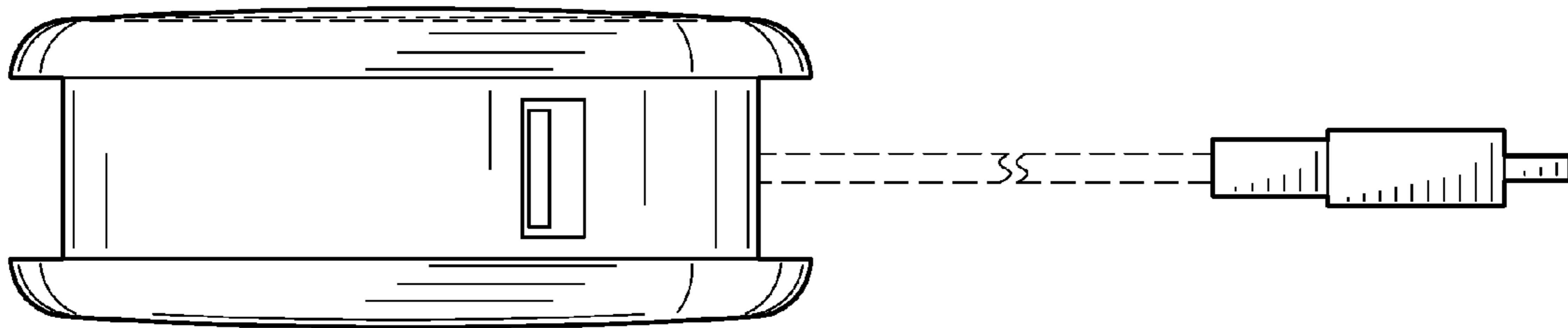


FIG. 6

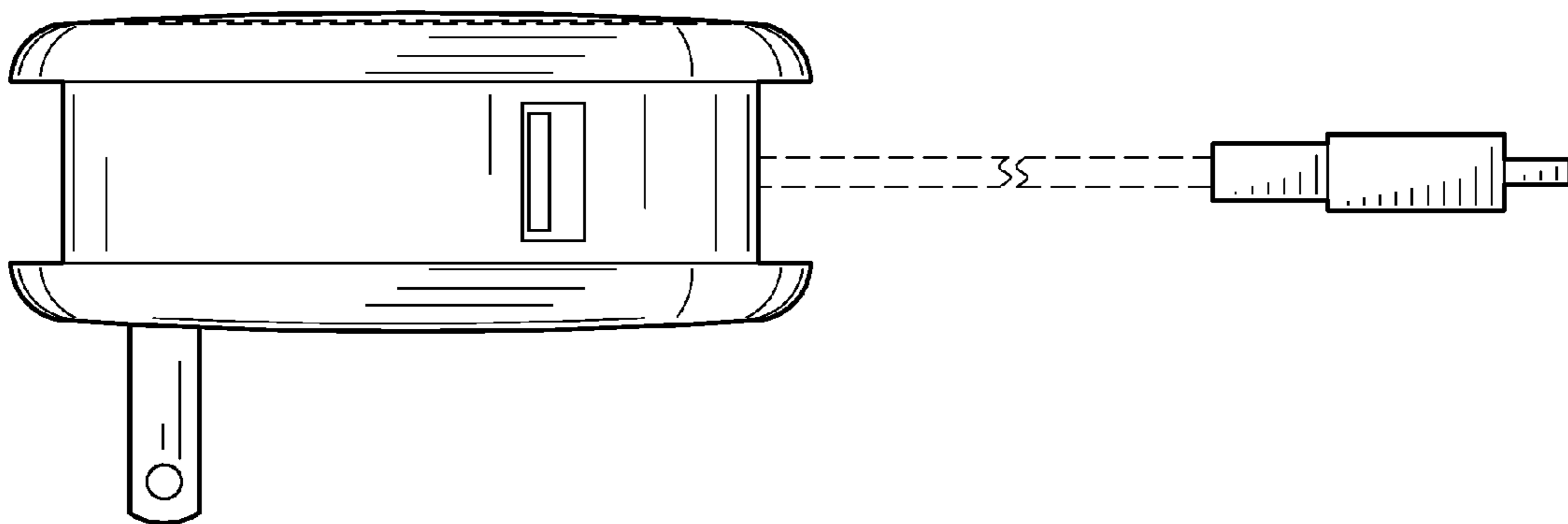


FIG. 7

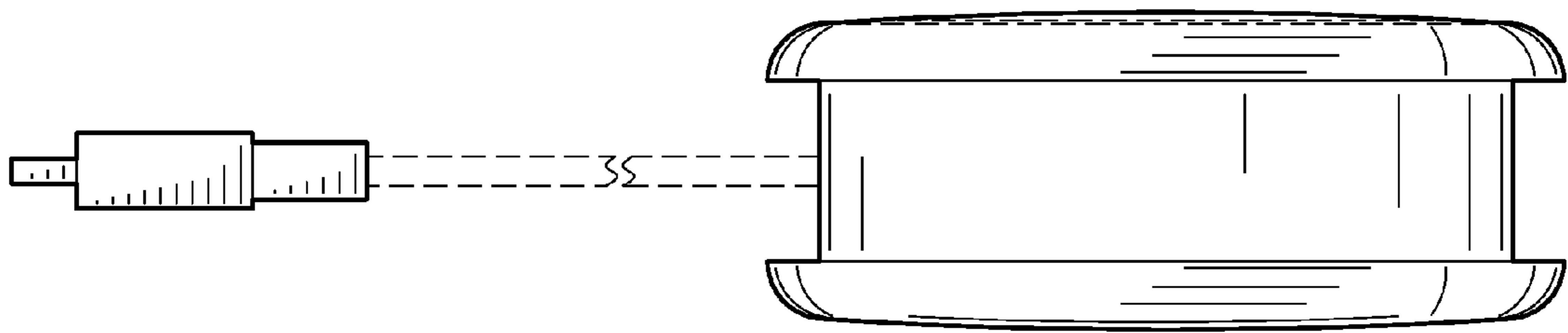


FIG. 8

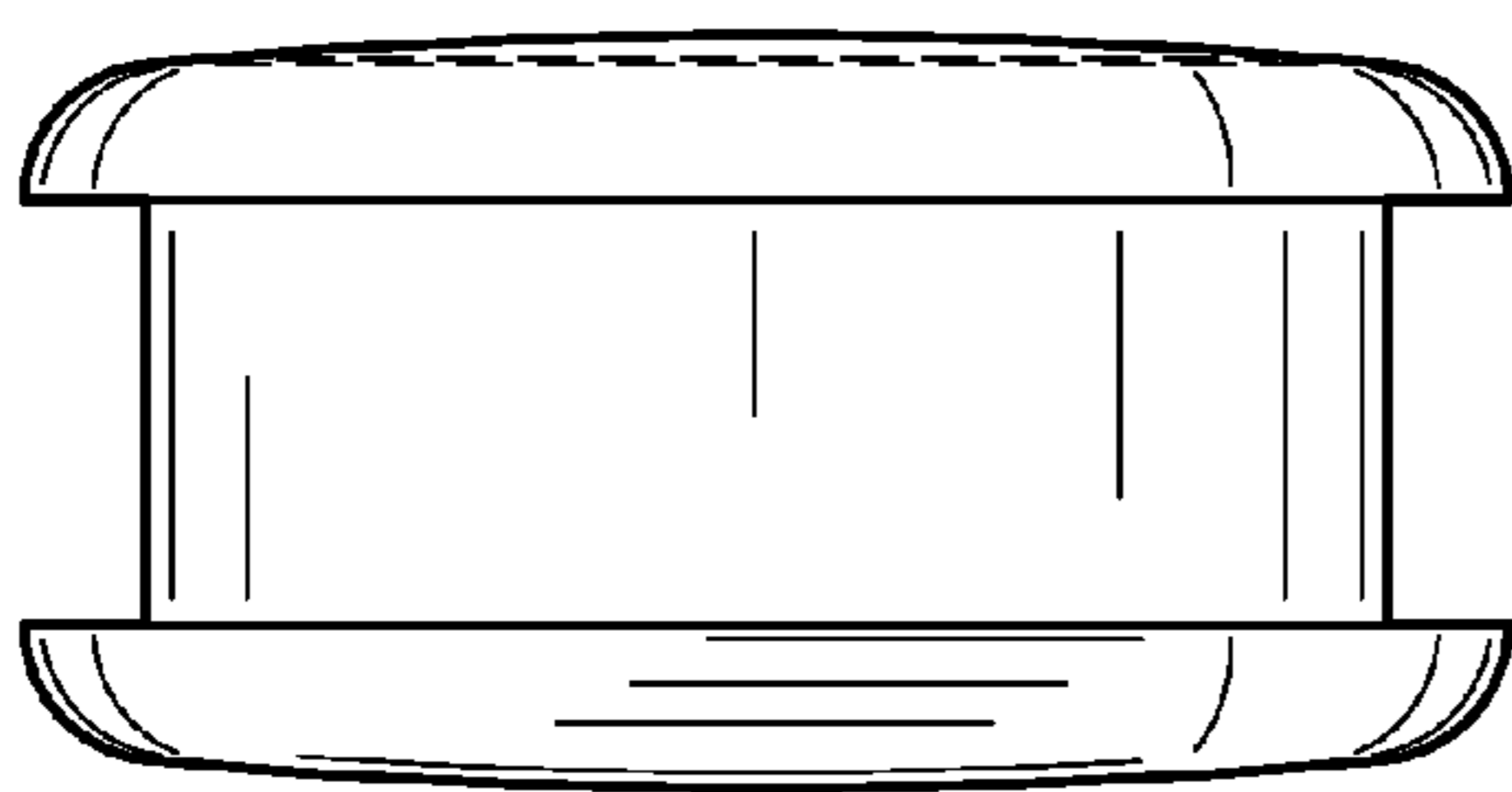


FIG. 9

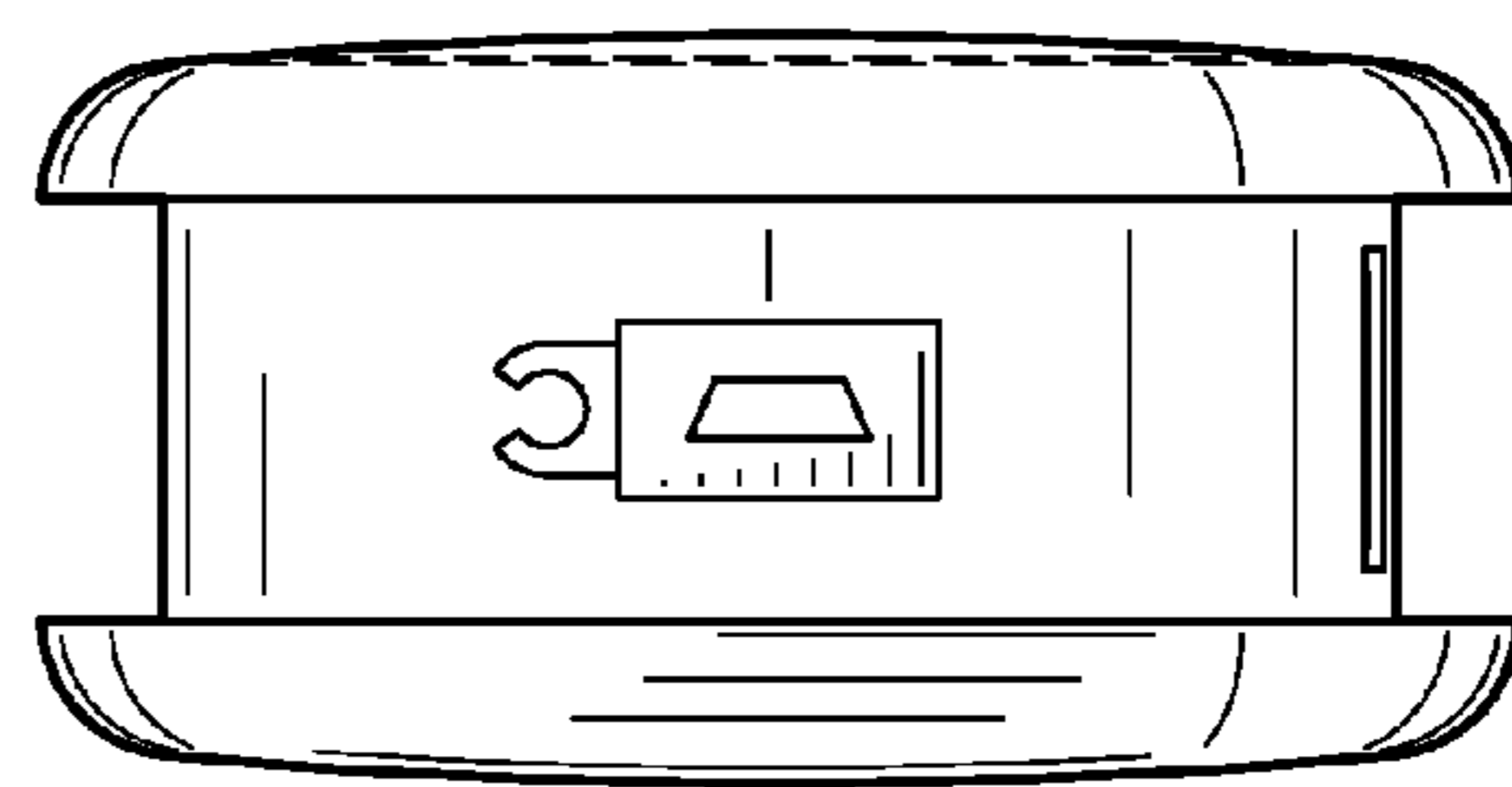


FIG. 10