



US00D628144S

(12) **United States Design Patent**
Riddiford

(10) **Patent No.:** **US D628,144 S**

(45) **Date of Patent:** **** Nov. 30, 2010**

(54) **MOUNT SOCKET FOR USE IN VEHICLE**
DASH MOUNTED EQUIPMENT

(75) Inventor: **Martin Riddiford**, London (GB)

(73) Assignee: **TomTom International B.V.**, Amsterdam (NL)

(**) Term: **14 Years**

(21) Appl. No.: **29/344,741**

(22) Filed: **Oct. 2, 2009**

(51) **LOC (9) Cl.** **12-16**

(52) **U.S. Cl.** **D12/415**

(58) **Field of Classification Search** D12/415-419,
D12/420; D8/354; D14/451-452; 248/274.1,
248/284.1; 296/36; 22/539; 224/404
See application file for complete search history.

(56) **References Cited**

U.S. PATENT DOCUMENTS

D457,153 S *	5/2002	Allen	D14/168
D501,118 S *	1/2005	Schrock	D7/619.1
D505,130 S *	5/2005	Yuyama	D14/168
D511,759 S *	11/2005	Allen	D14/500
D512,036 S *	11/2005	Wu	D14/502

D516,082 S *	2/2006	Lewis	D14/203.6
D536,317 S *	2/2007	Wu	D14/505
D539,261 S *	3/2007	Hyodo	D14/507
D539,262 S *	3/2007	Hyodo	D14/507
D582,394 S *	12/2008	Hong et al.	D14/216
D602,841 S *	10/2009	Wilhelm	D12/415
D613,307 S *	4/2010	Son et al.	D14/498

* cited by examiner

Primary Examiner—Caron Veynar

Assistant Examiner—Katrina A Kile

(74) *Attorney, Agent, or Firm*—Harness, Dickey & Pierce, P.L.C.

(57) **CLAIM**

The ornamental design for a mount socket for use in vehicle dash mounted equipment, as shown and described.

DESCRIPTION

FIG. 1 is a perspective view of a mount socket for use in vehicle dash mounted equipment showing my new design;

FIG. 2 is a rear view thereof; and,

FIG. 3 is an end view thereof.

In the drawings, the broken lines depict portions of a mount socket that form no part of the claimed design.

1 Claim, 3 Drawing Sheets

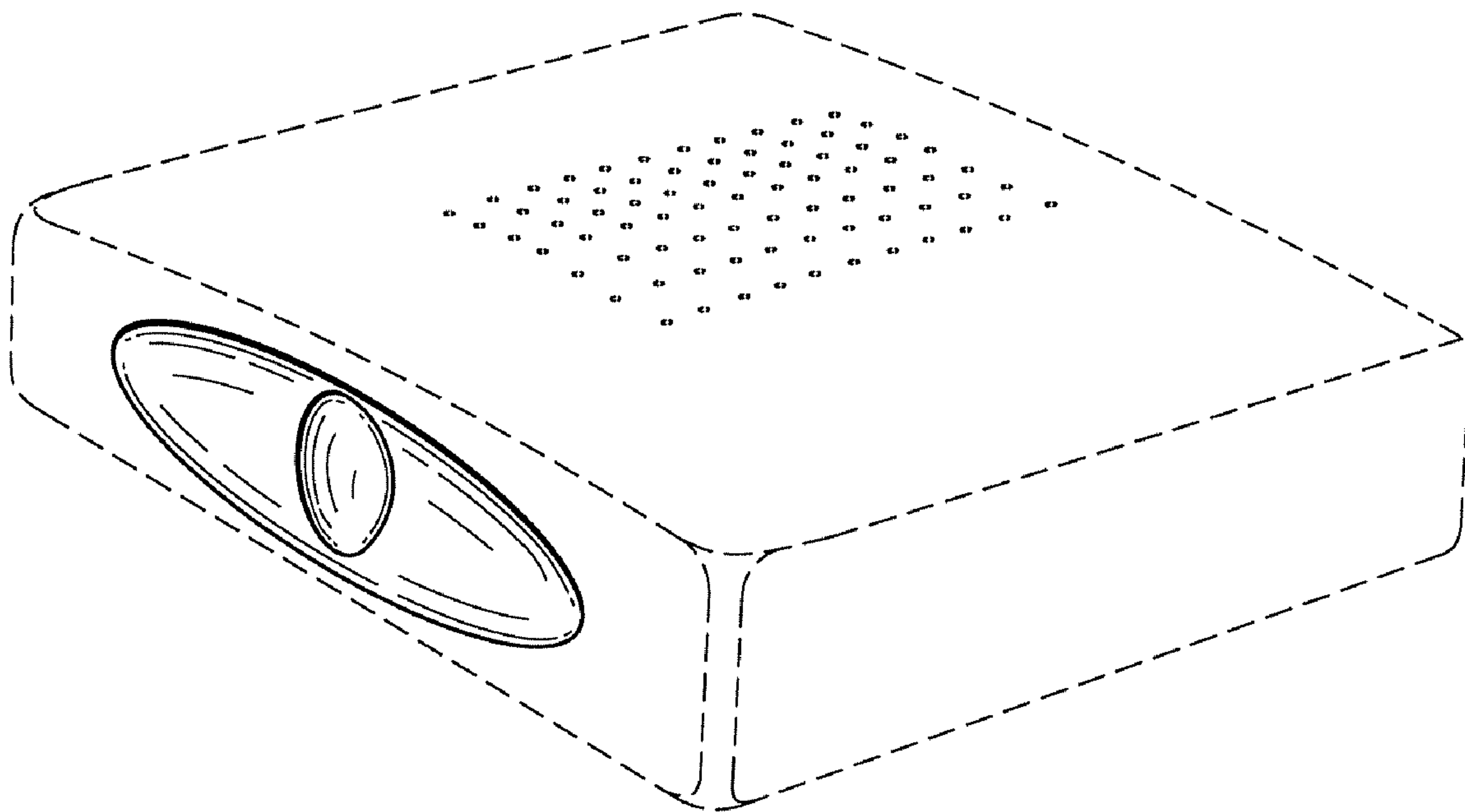


FIG. 1

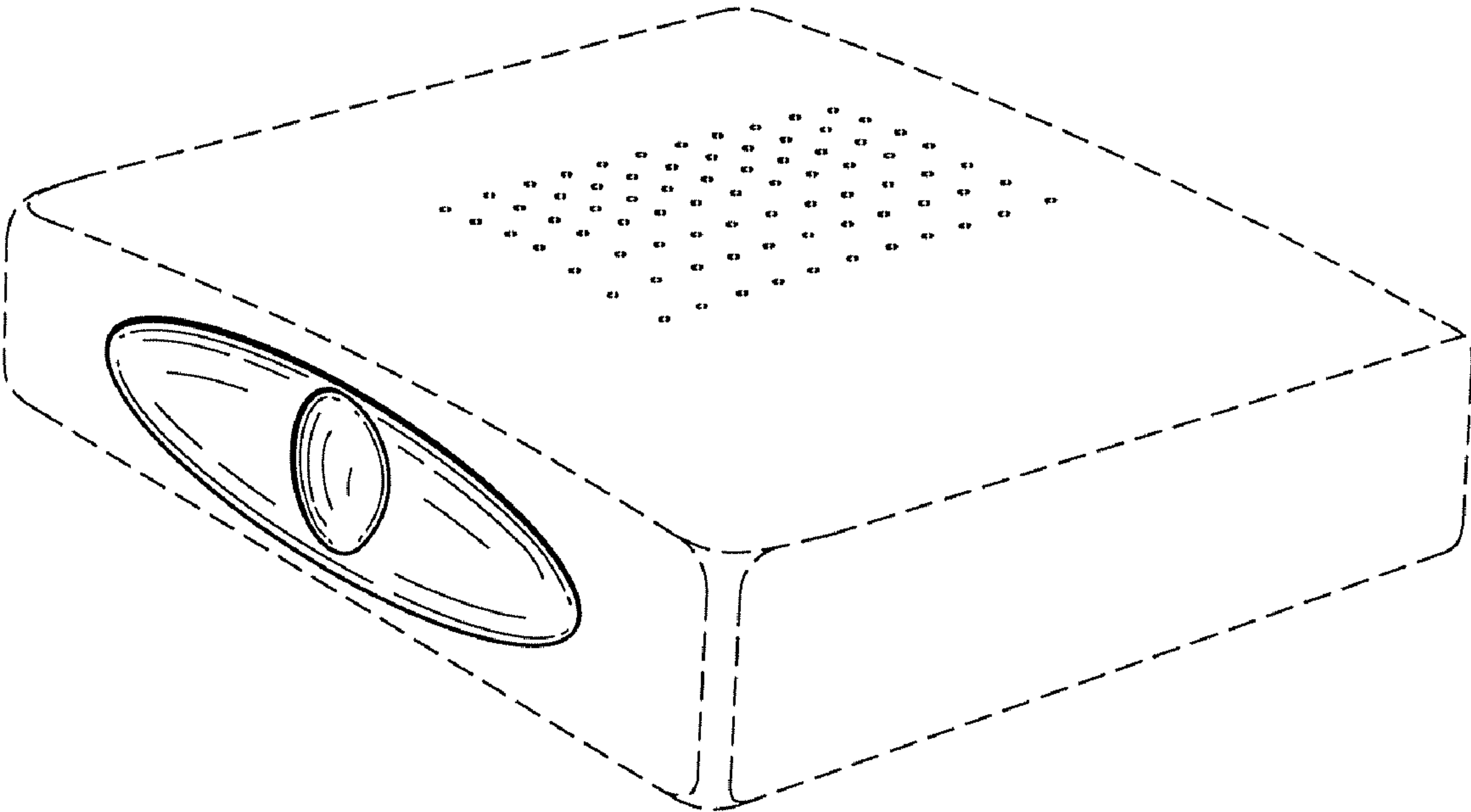


FIG. 2

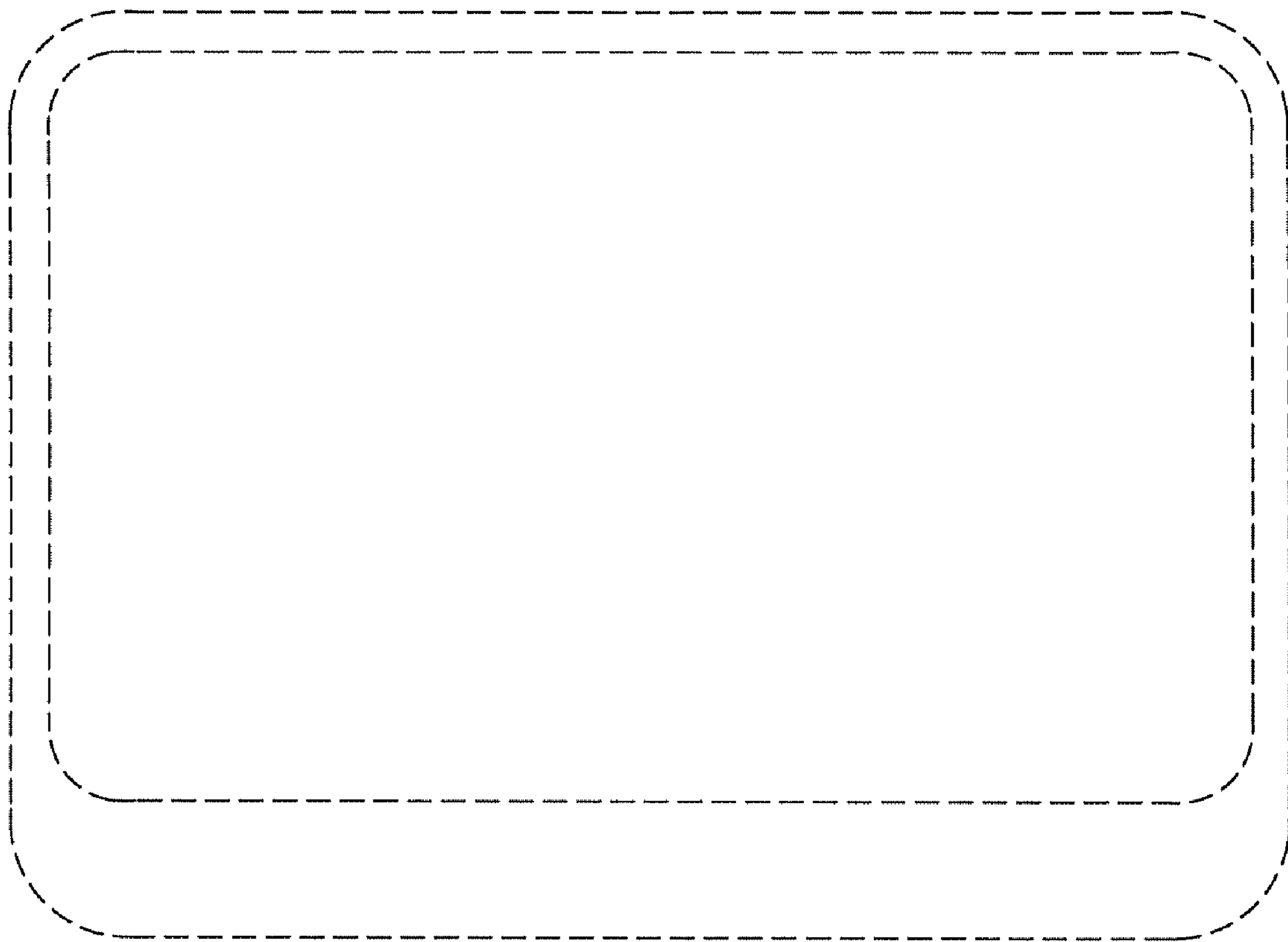


FIG. 3

