



US00D628141S

(12) **United States Design Patent**  
**Weaver et al.**

(10) **Patent No.:** **US D628,141 S**  
(45) **Date of Patent:** **\*\* Nov. 30, 2010**

(54) **BICYCLE CARRIER RACK**

(75) Inventors: **Greg G. Weaver**, Waterbury, CT (US);  
**Joseph R. Flaherty**, Prospect, CT (US);  
**Thomas J. Hanson**, Rye, NY (US);  
**Timothy J. Makris**, Sandy Hook, CT  
(US); **Keith Prescott**, Cambridge, VT  
(US)

(73) Assignee: **Thule Sweden AB**, Hillerstorp (SE)

(\*\*) Term: **14 Years**

(21) Appl. No.: **29/344,039**

(22) Filed: **Sep. 22, 2009**

(51) **LOC (9) Cl.** ..... **12-11**

(52) **U.S. Cl.** ..... **D12/408**

(58) **Field of Classification Search** ..... D12/406-408,  
D12/115, 120, 412; 224/400, 412, 413, 488,  
224/489, 493, 497, 500, 512-514, 522-537,  
224/42.12, 42.13, 924; 280/202, 292  
See application file for complete search history.

(56) **References Cited**

U.S. PATENT DOCUMENTS

|           |     |         |                 |       |         |
|-----------|-----|---------|-----------------|-------|---------|
| 3,912,139 | A * | 10/1975 | Bowman          | ..... | 224/924 |
| 4,085,874 | A * | 4/1978  | Graber          | ..... | 224/321 |
| 4,394,948 | A * | 7/1983  | Graber          | ..... | 224/314 |
| 4,726,499 | A * | 2/1988  | Hoerner         | ..... | 224/314 |
| D306,992  | S * | 4/1990  | Morehouse       | ..... | D12/408 |
| 4,997,116 | A * | 3/1991  | Grim            | ..... | 224/493 |
| 5,211,323 | A * | 5/1993  | Chimenti et al. | ..... | 224/314 |
| 5,305,936 | A * | 4/1994  | Nusbaum         | ..... | 224/324 |
| 5,826,767 | A * | 10/1998 | Chimenti et al. | ..... | 224/324 |
| 6,019,266 | A * | 2/2000  | Johnson         | ..... | 224/534 |

|           |      |         |                  |       |         |
|-----------|------|---------|------------------|-------|---------|
| D430,533  | S *  | 9/2000  | Peschmann et al. | ..... | D12/408 |
| 6,345,748 | B1 * | 2/2002  | Chimenti et al.  | ..... | 224/324 |
| D467,219  | S *  | 12/2002 | Peschmann        | ..... | D12/408 |

\* cited by examiner

*Primary Examiner*—Philip S Hyder

*Assistant Examiner*—Linda G. Brooks

(74) *Attorney, Agent, or Firm*—Novak Druce + Quigg LLP

(57) **CLAIM**

We claim the ornamental design for a bicycle carrier rack, as shown and described.

**DESCRIPTION**

FIG. 1 is a perspective view of a bicycle carrier rack;

FIG. 2 is a rear elevational view thereof;

FIG. 3 is a front elevational view thereof;

FIG. 4 is a top plan view thereof;

FIG. 5 is a bottom plan view thereof;

FIG. 6 is left side elevational view thereof;

FIG. 7 is a right side elevational view thereof;

FIG. 8 is a perspective thereof in an alternate position;

FIG. 9 is a rear elevational view of FIG. 8;

FIG. 10 is a front elevational view of FIG. 8;

FIG. 11 is a top plan view of FIG. 8;

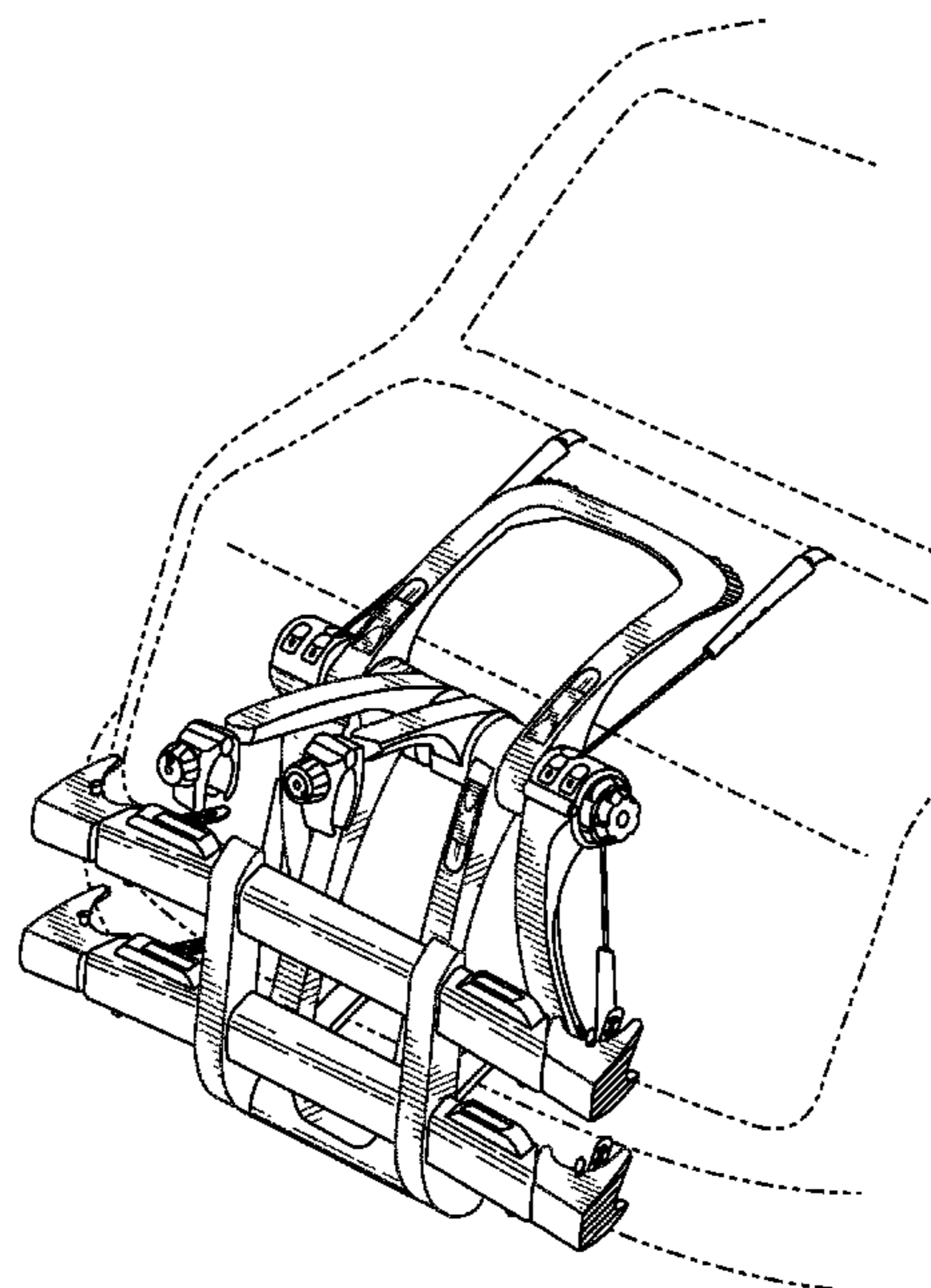
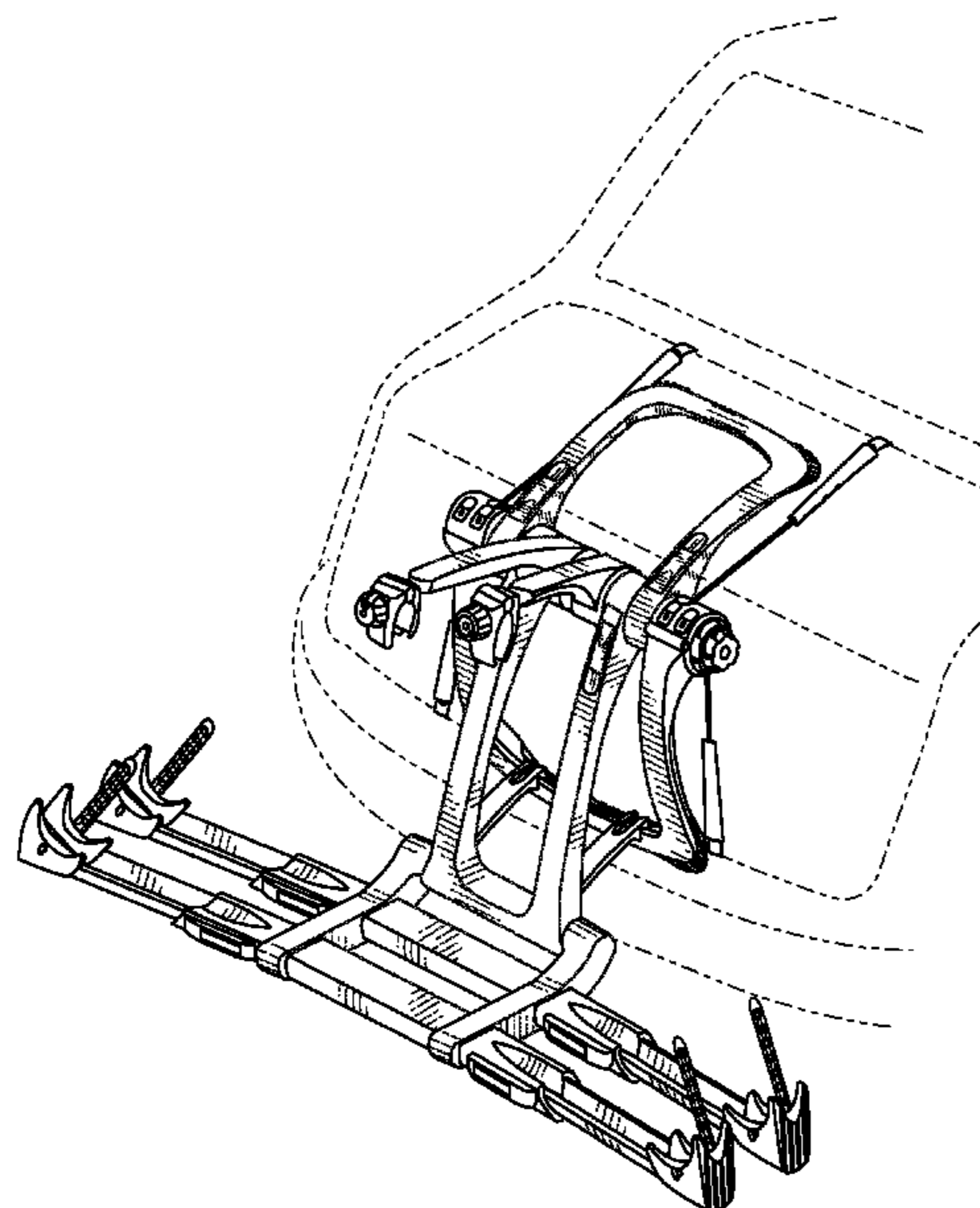
FIG. 12 is a bottom plan view of FIG. 8;

FIG. 13 is a left side elevational view of FIG. 8; and,

FIG. 14 is a right side elevational view of FIG. 8.

The broken lines illustrate environmental structure that forms no part of the claimed design.

**1 Claim, 14 Drawing Sheets**



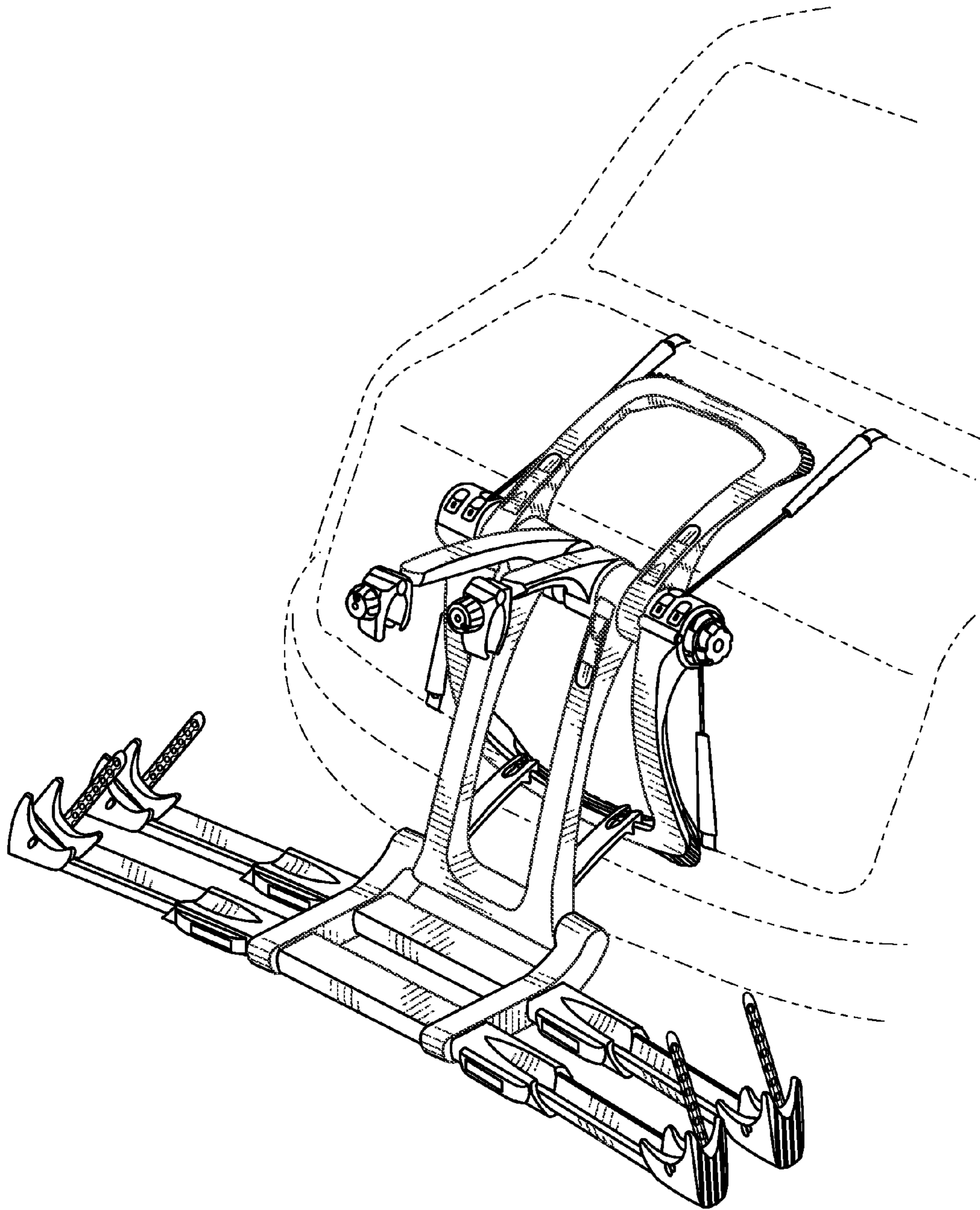


FIG. 1

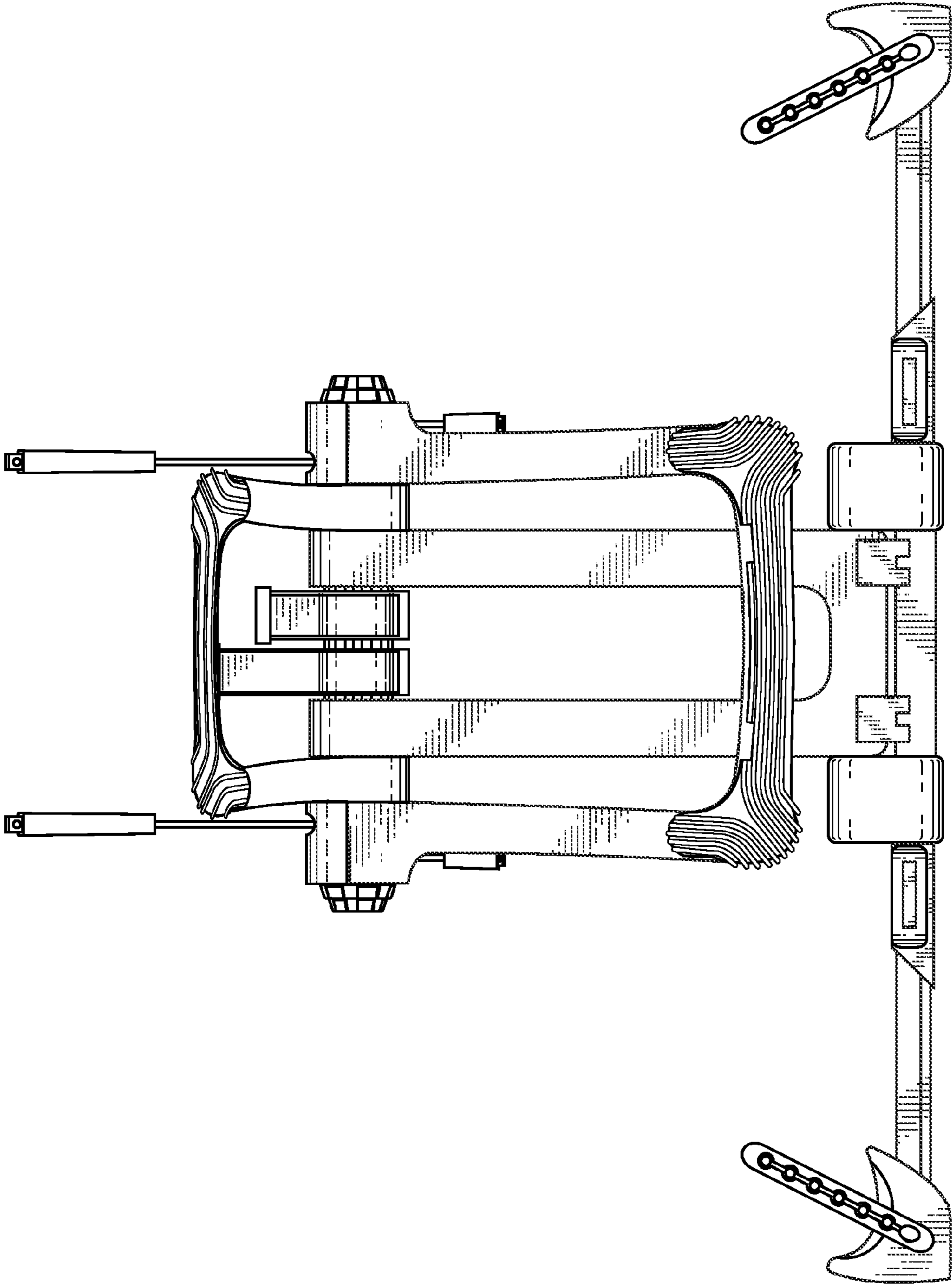


FIG. 2



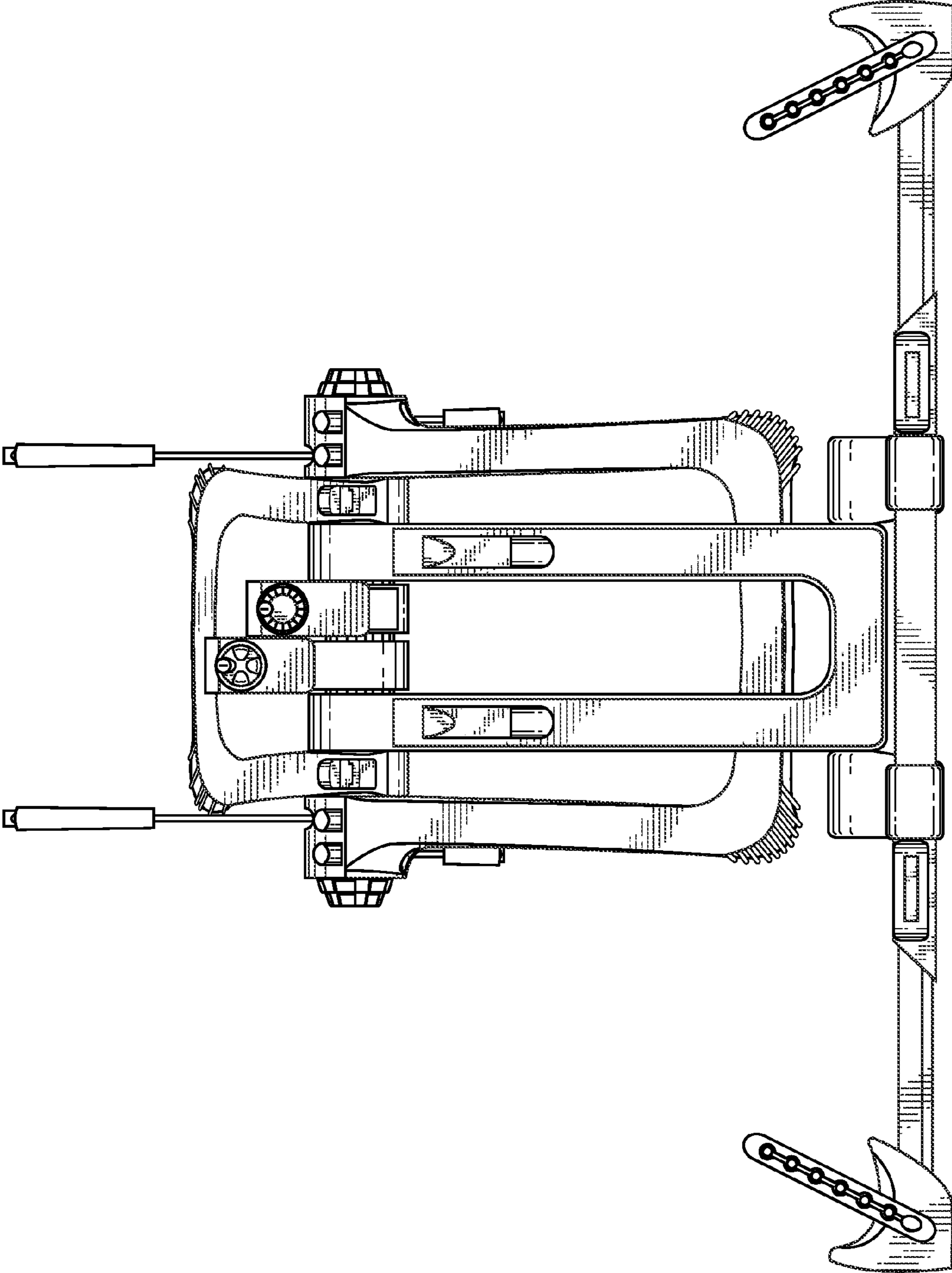


FIG. 3

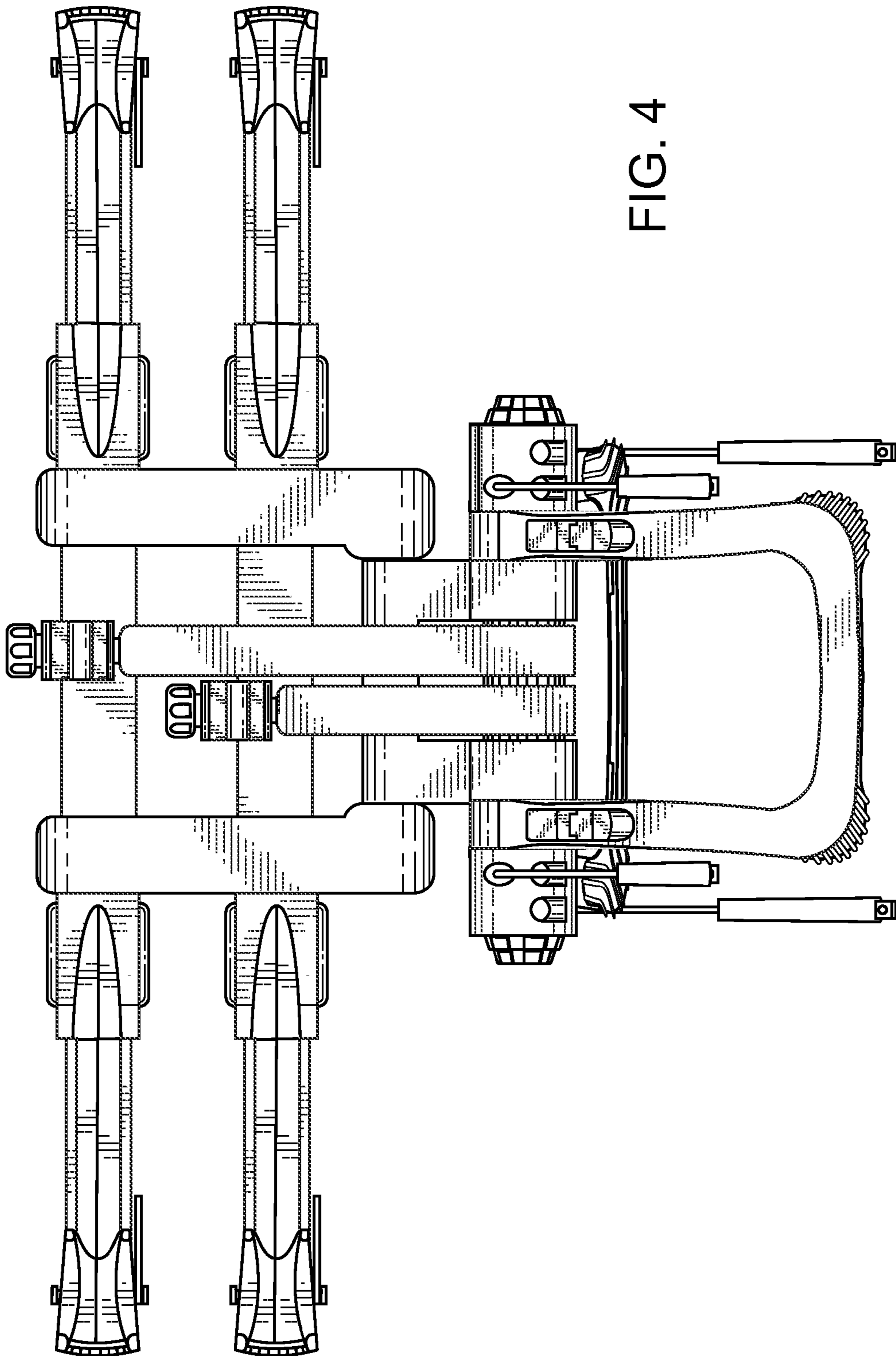


FIG. 4

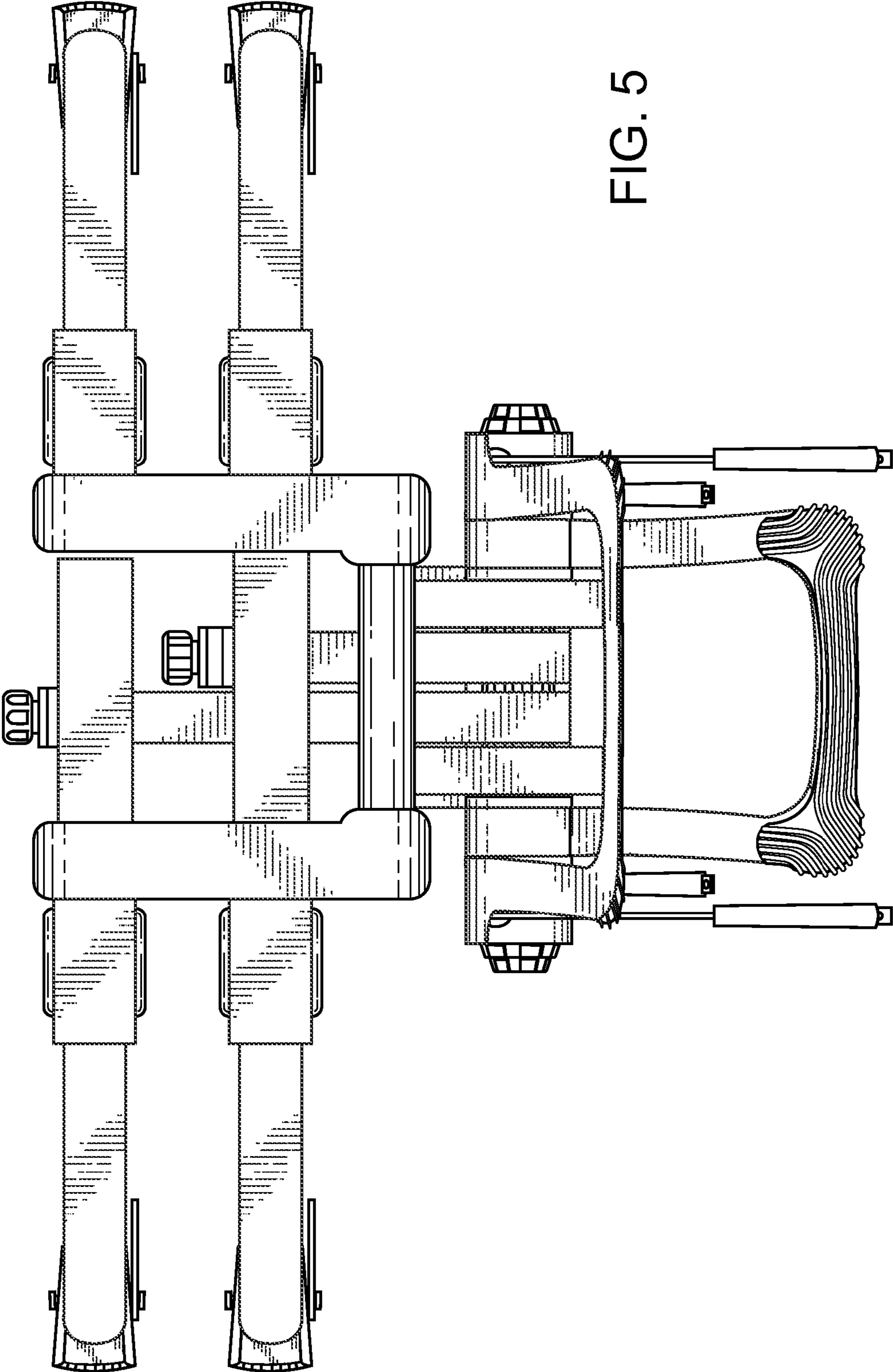


FIG. 5

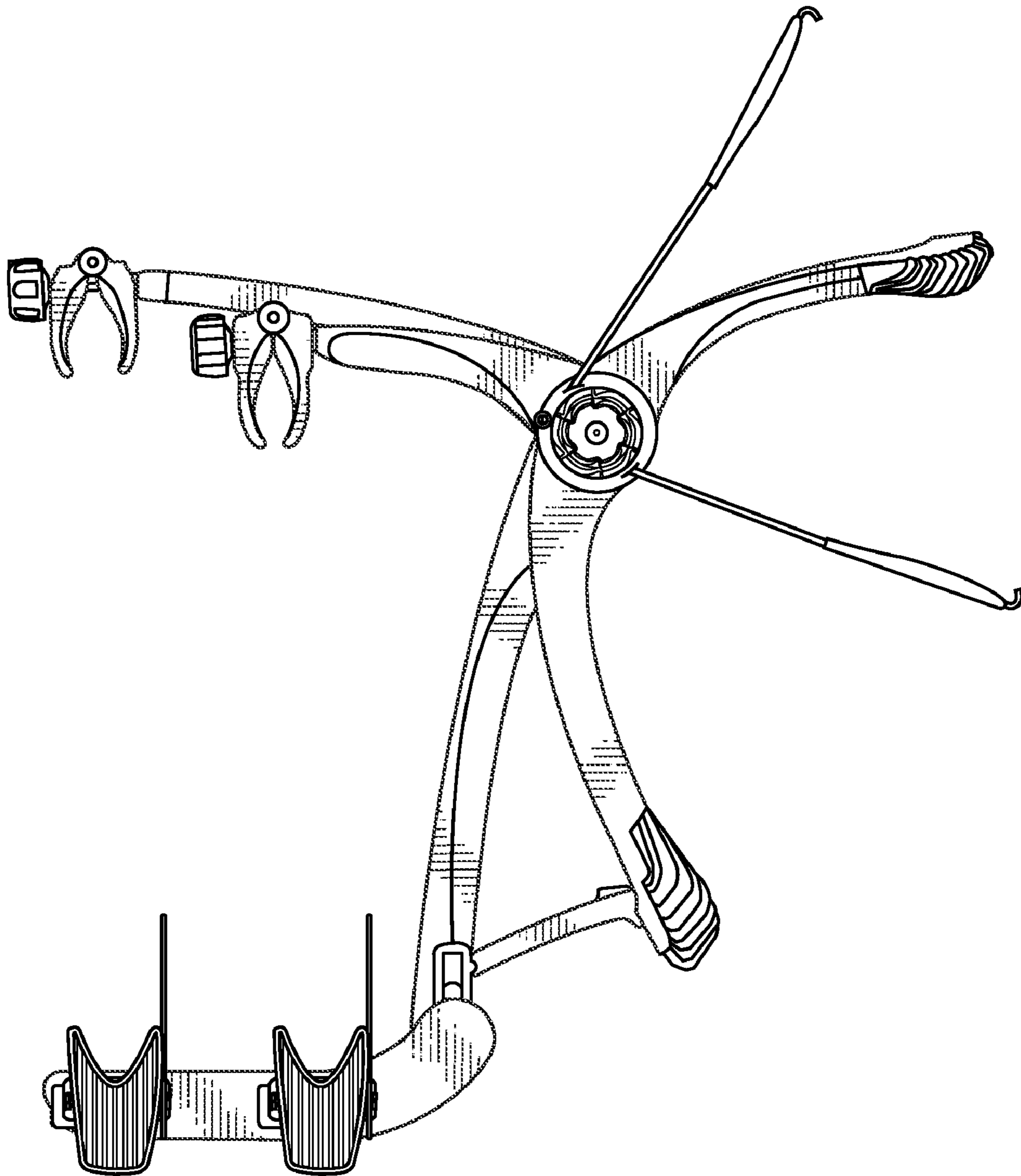


FIG. 6

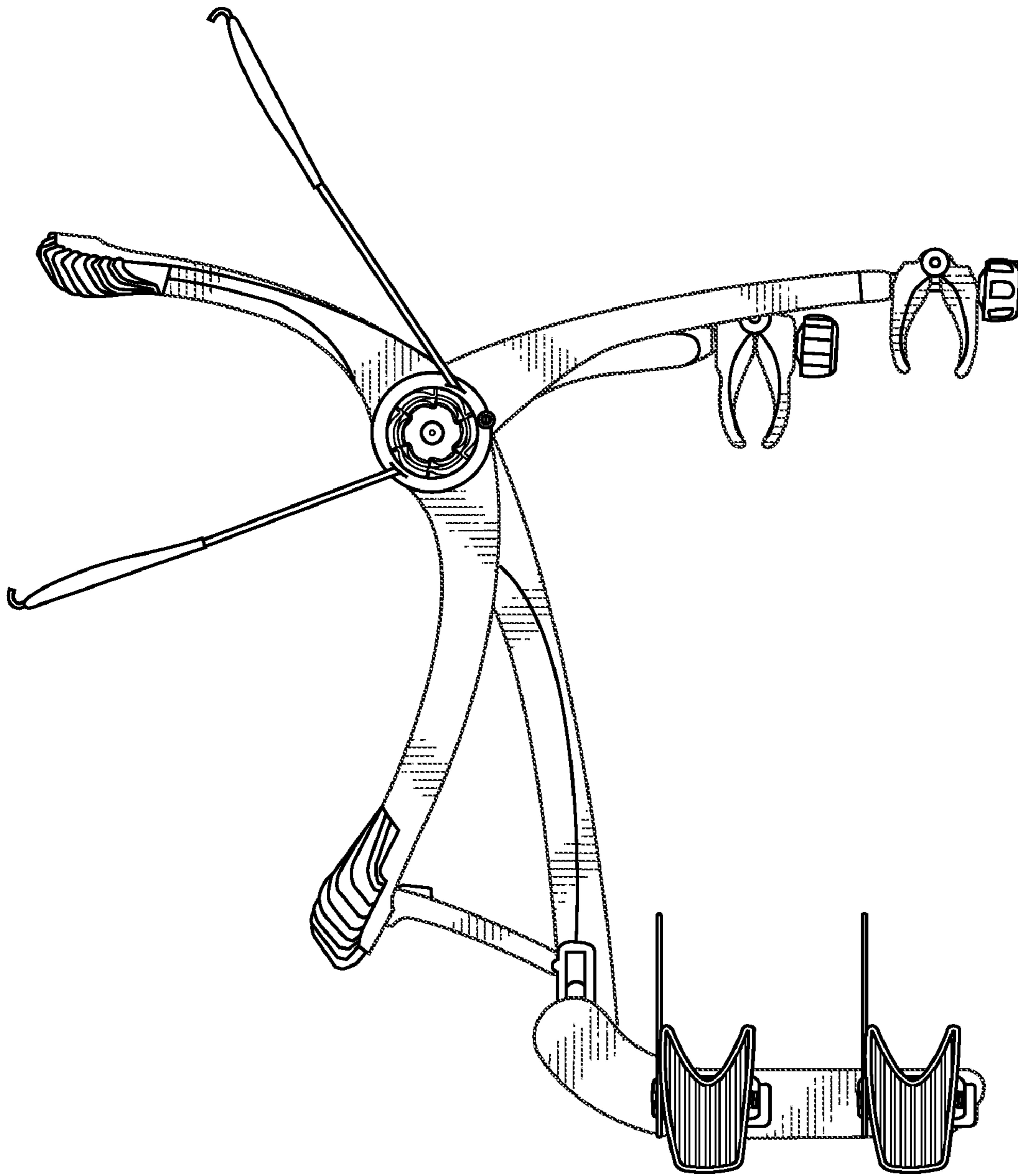


FIG. 7



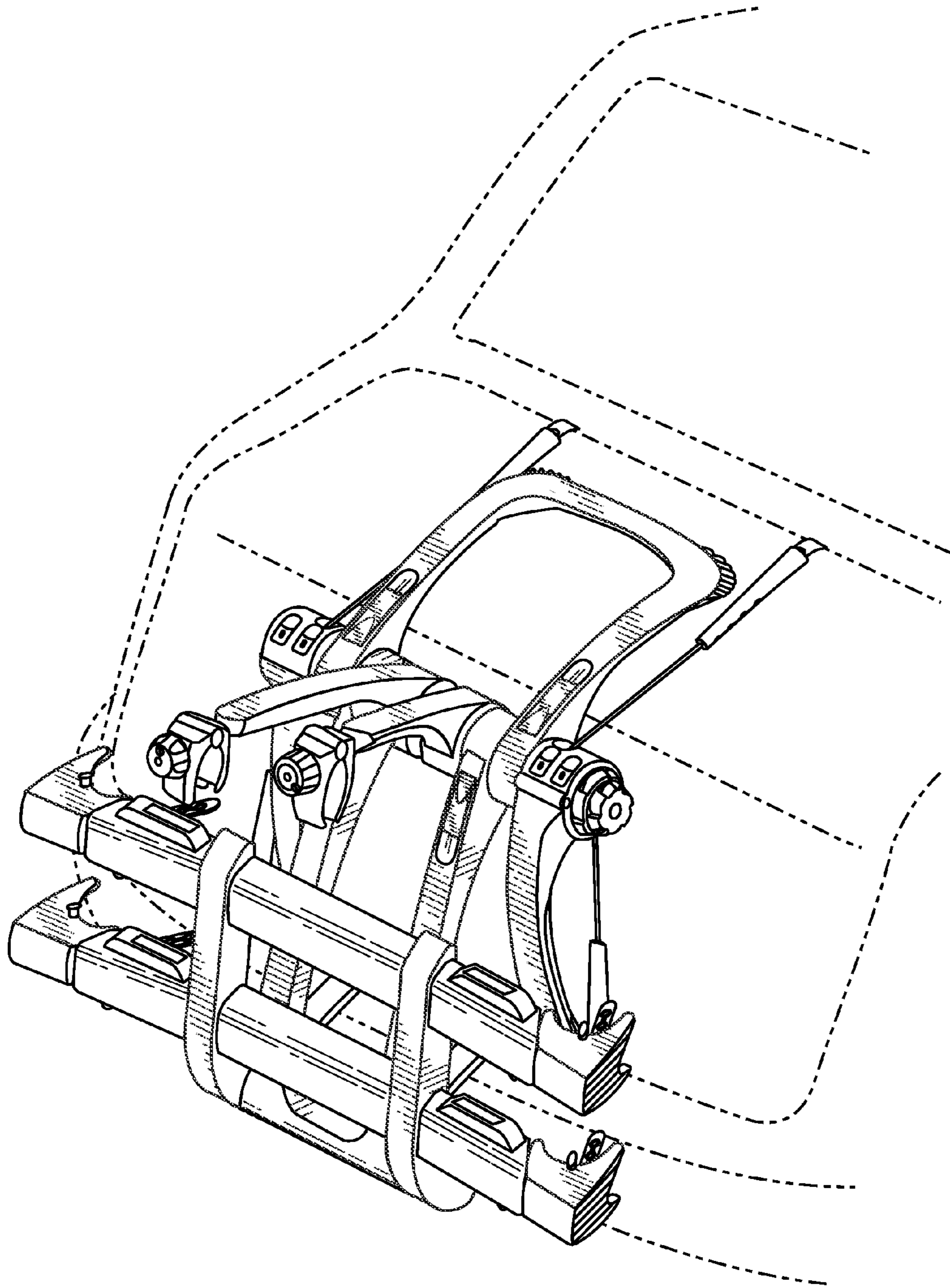


FIG. 8

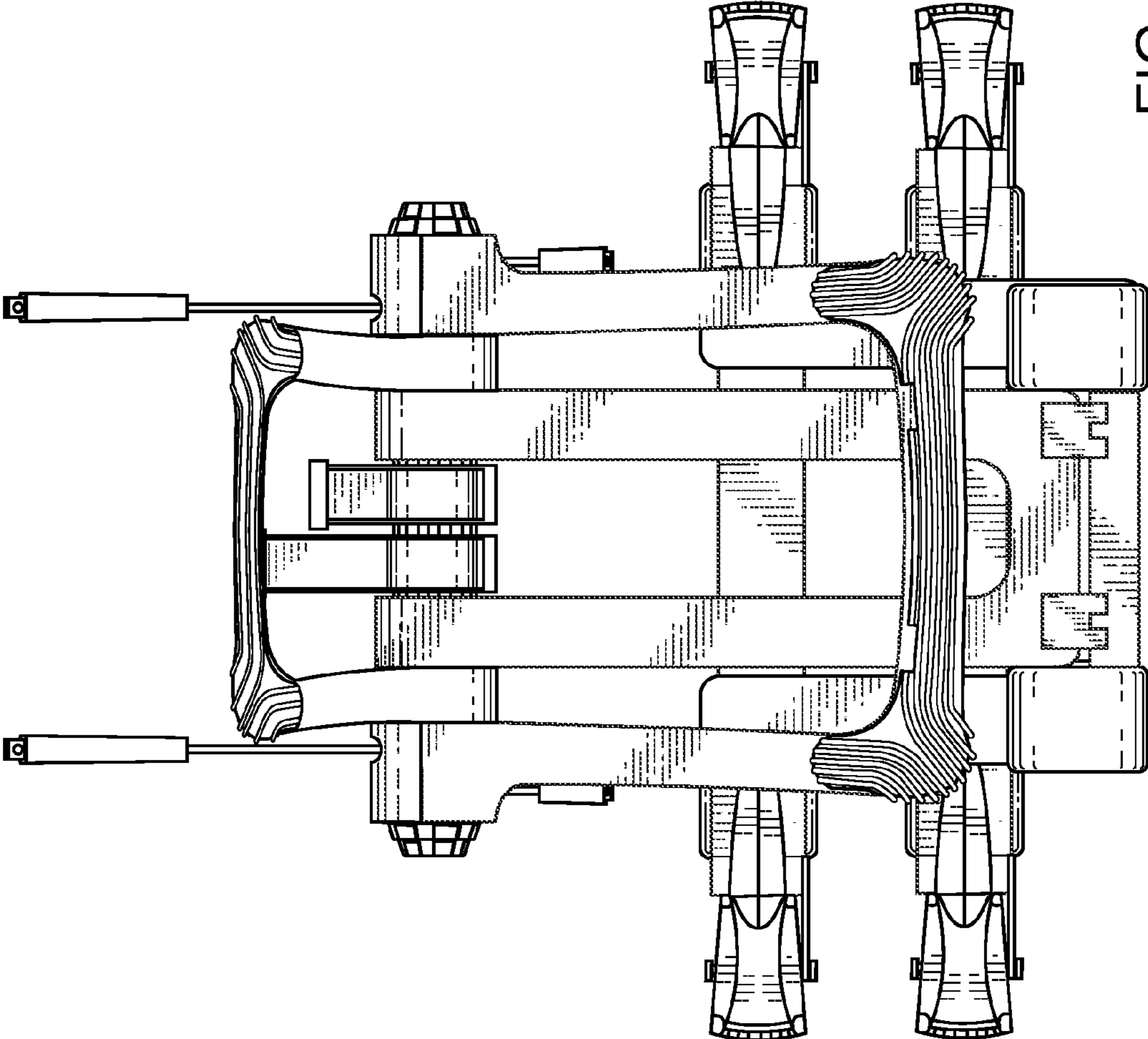


FIG. 9

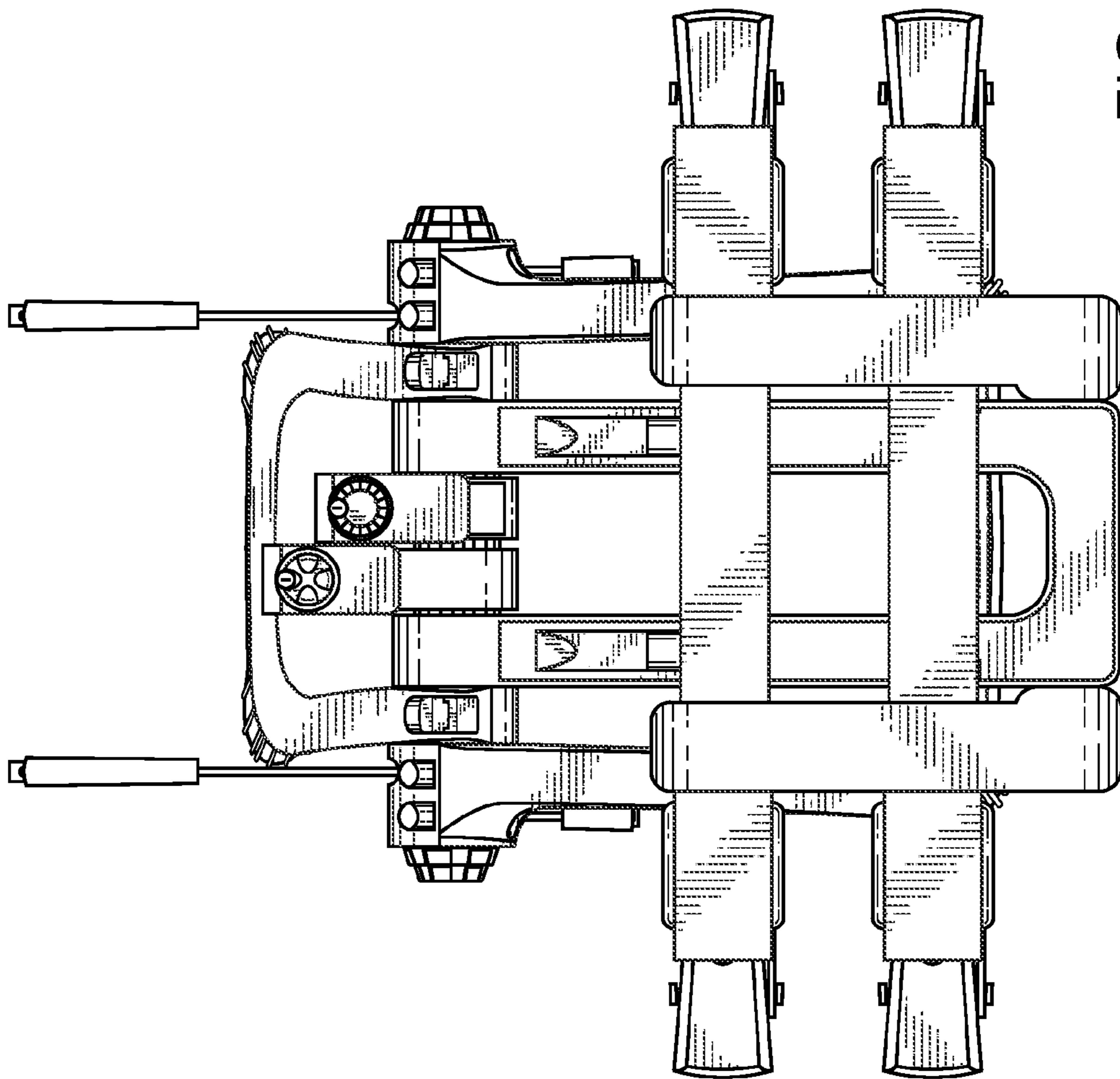


FIG. 10

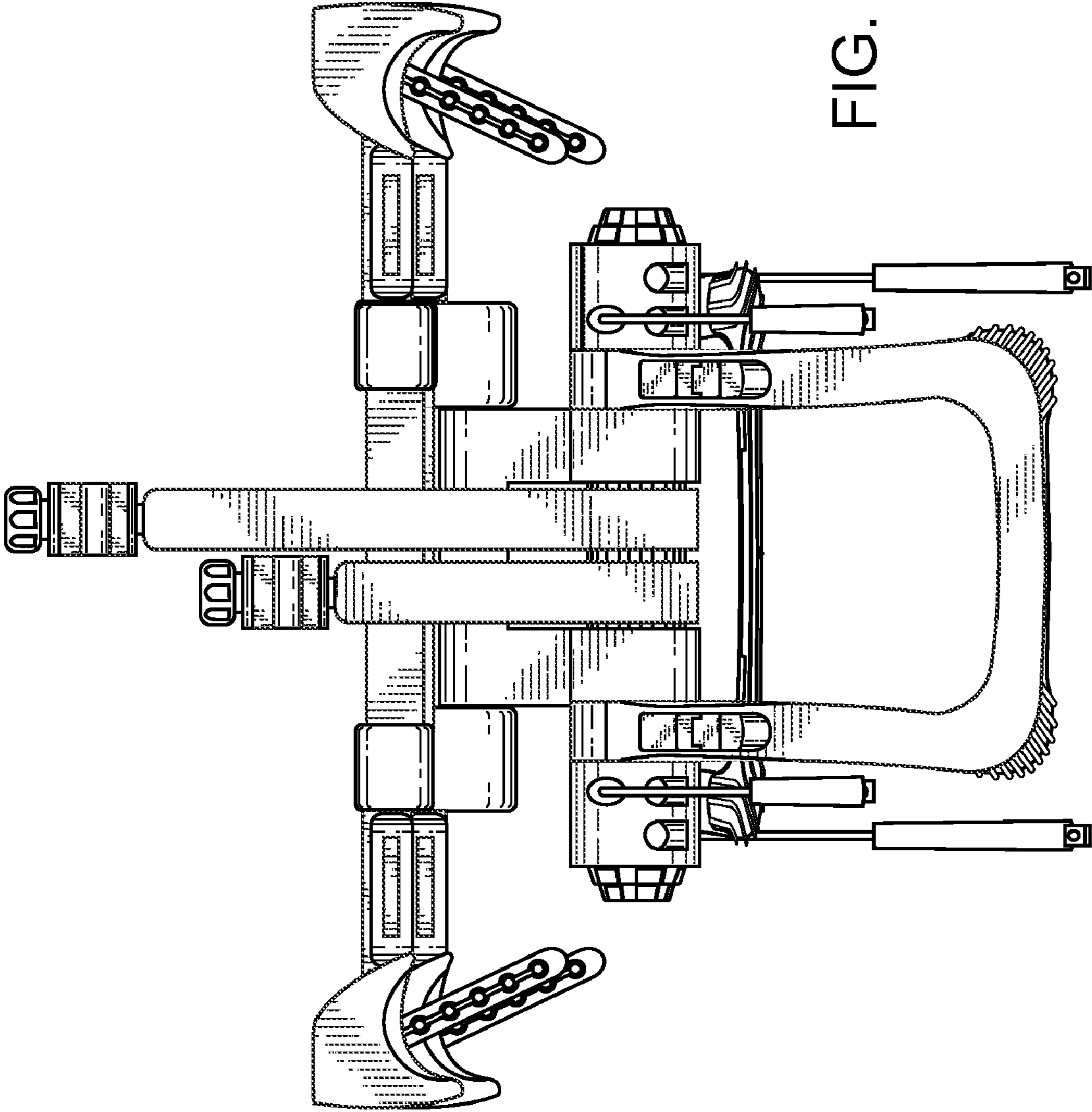


FIG. 11



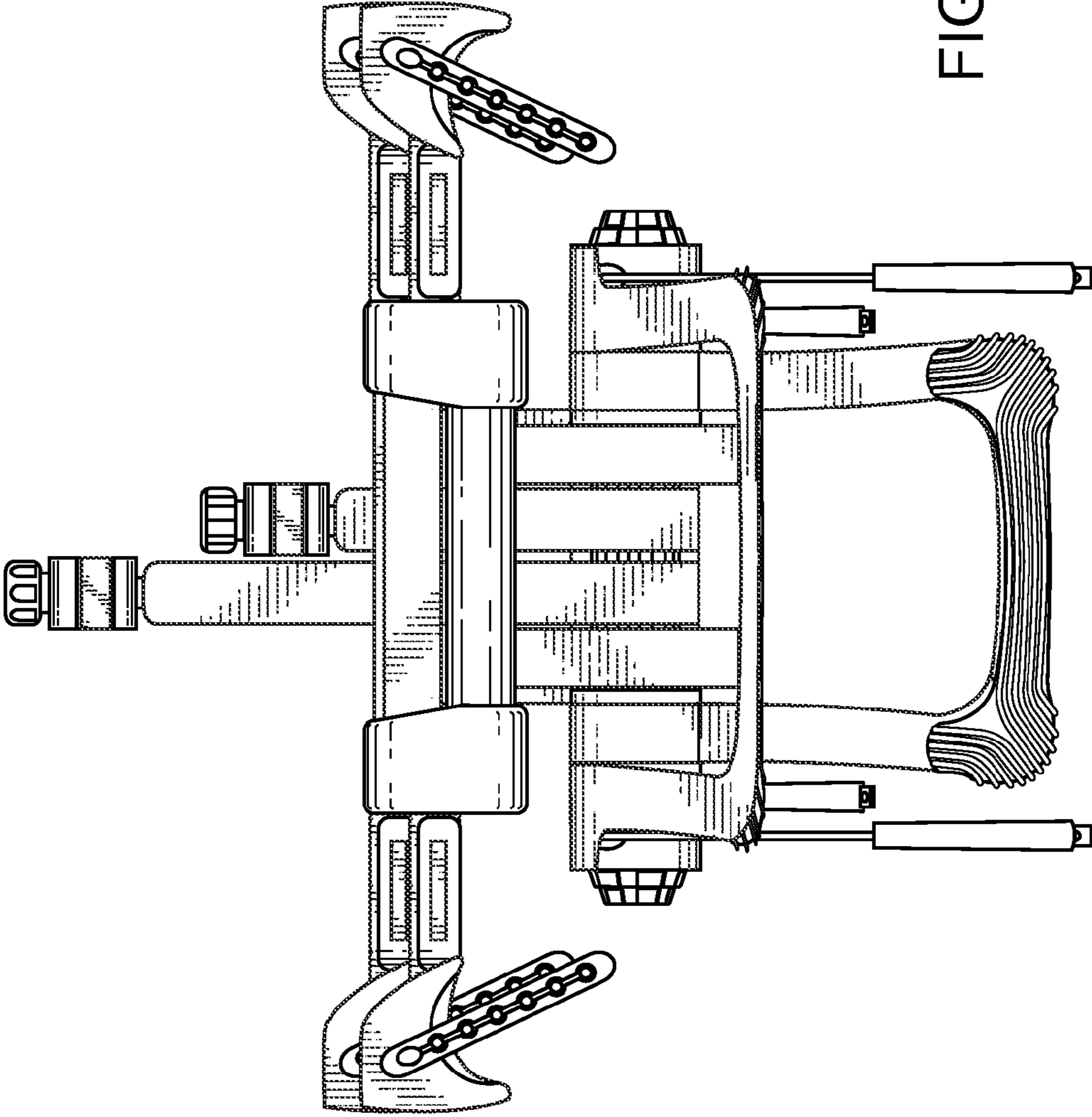


FIG. 12

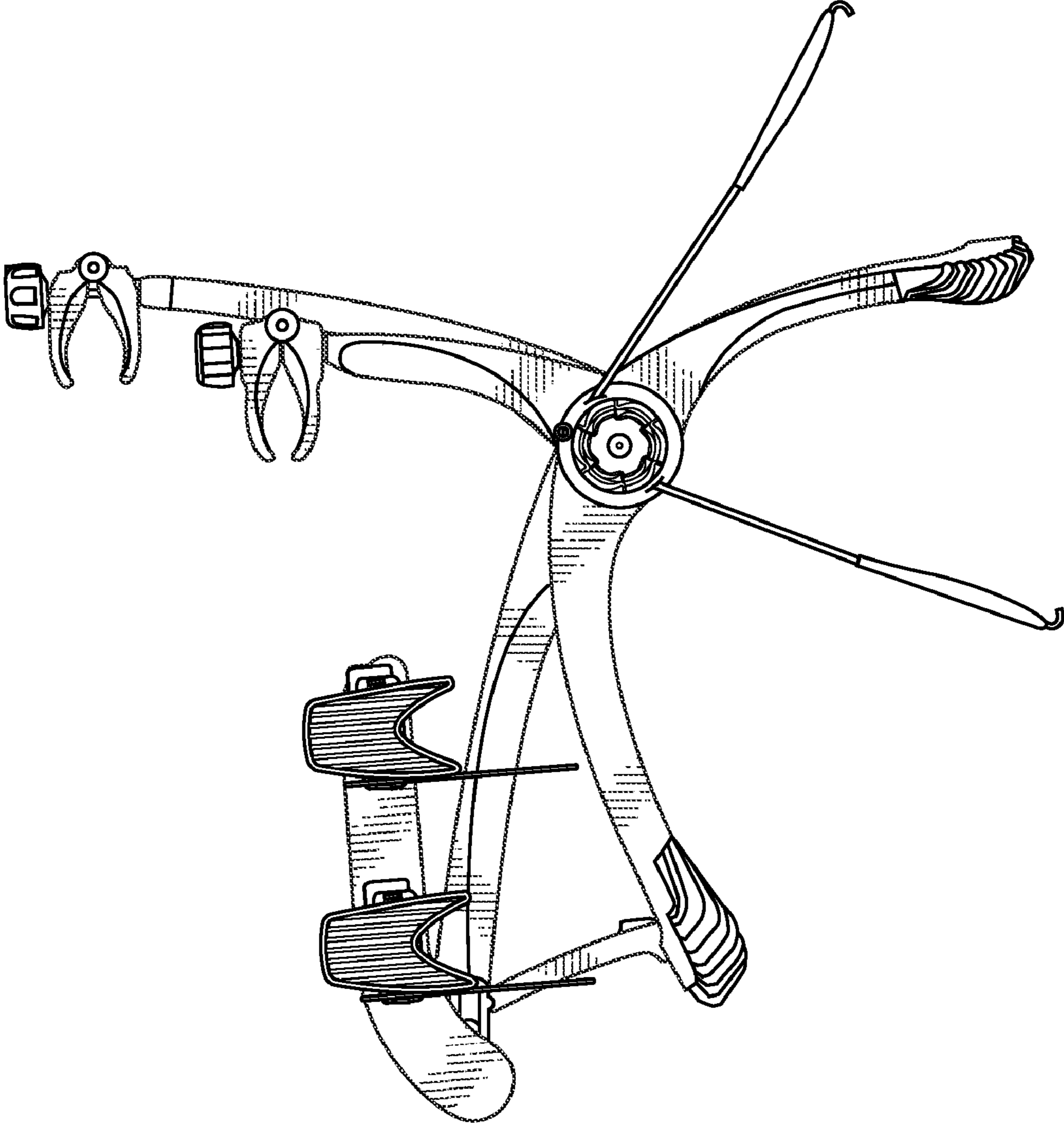


FIG. 13

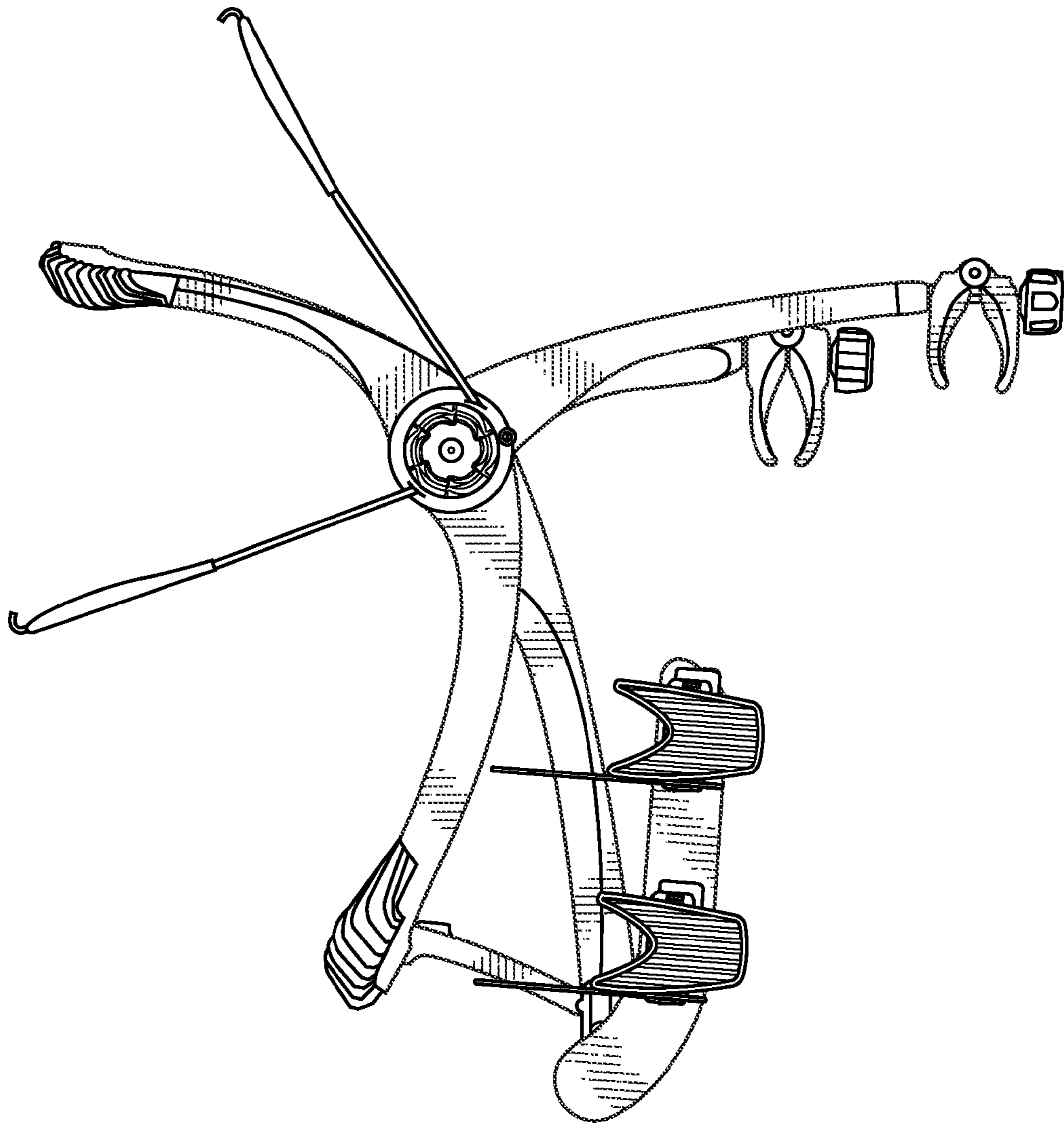


FIG. 14