



US00D628139S

(12) **United States Design Patent**
Petsche et al.

(10) **Patent No.:** **US D628,139 S**
(45) **Date of Patent:** **** Nov. 30, 2010**

- (54) **HELICOPTER SETTLING PROTECTOR**
- (75) Inventors: **Michael Alexander Petsche**, St. Lazare (CA); **Pierre Marc Bellavance**, Hawkesbury (CA); **Christopher Ronald Provencal**, Hawkesbury (CA)
- (73) Assignee: **Dart Aerospace Ltd.**, Hawkesbury (CA)
- (**) Term: **14 Years**
- (21) Appl. No.: **29/353,845**
- (22) Filed: **Jan. 14, 2010**

- (51) **LOC (9) Cl.** **12-07**
- (52) **U.S. Cl.** **D12/345**
- (58) **Field of Classification Search** D12/345;
244/110 R, 110 F, 114 R, 115, 116, 17.17,
244/63, 137.1; 404/34-36, 41; 52/596, 607;
248/637, 646, 647, 670, 678
See application file for complete search history.

(56) **References Cited**

U.S. PATENT DOCUMENTS

3,456,910	A *	7/1969	Cody et al.	244/114 R
4,202,646	A *	5/1980	Herstad	404/36
4,541,594	A *	9/1985	Foley	244/114 B
4,789,116	A *	12/1988	Eftestol	244/114 R
4,883,241	A *	11/1989	Snead	244/114 R
5,577,687	A *	11/1996	Downing	244/110 E
6,079,668	A *	6/2000	Brown	244/114 R
6,230,643	B1 *	5/2001	Li	114/261
7,152,547	B1 *	12/2006	Hovland	114/261

OTHER PUBLICATIONS

Aerotech Photos Bear Paw, online: www.alpineaerotech.com/Aerotech_Photos_bear_paw.htm; accessed Jun. 11, 2010.

Heli Tow Cart BearPaws, online: www.helitowcart.com/helitowcart_ang/AstarBearPaw.html; accessed Jun. 11, 2010.
 Paravion Snow Pads, online: www.paravion.com (under "Snow Pads" tab); accessed Jun. 11, 2010.
 Eurocopter AS350/355 Settling Protectors Kit, online: www.eurocopter.ca/asp/documents/AS350355SettlingProtectorsKit.pdf; accessed Jun. 17, 2010.
 Eurocopter EC120 Settling Protectors Kit, online: www.eurocopter.ca/asp/documents/EC120SettlingProtectorsKit.pdf; accessed Jun. 17, 2010.
 Dart Bearpaw, Bearpaw ski, and bearpaw wearplate, online: www.darthelicopterservices.com; accessed Jun. 17, 2010.

* cited by examiner

Primary Examiner—Cathron C. Brooks
Assistant Examiner—Maurice Stevens
 (74) *Attorney, Agent, or Firm*—C. Larry Kyle; Nexus Law Group LLP

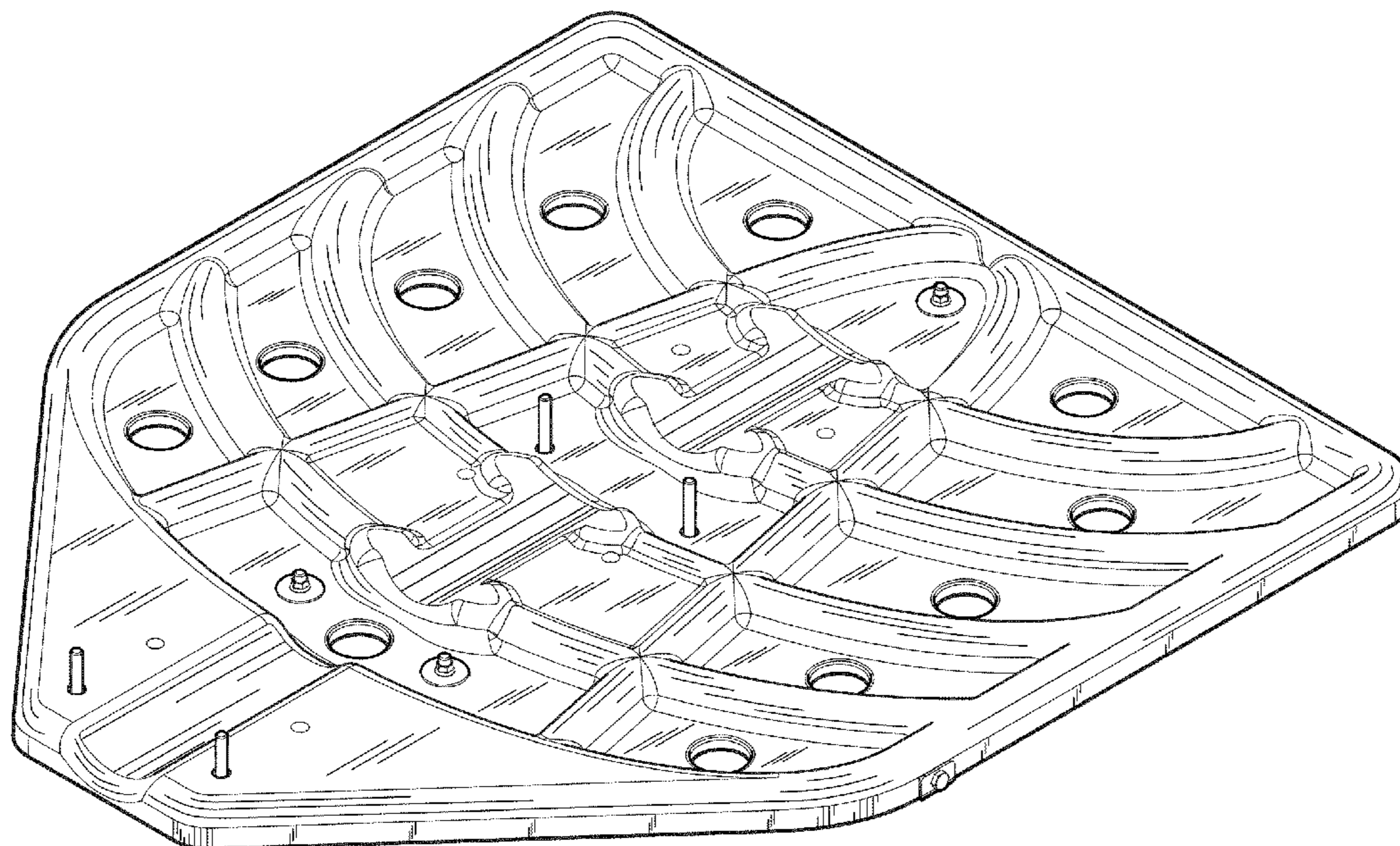
(57) **CLAIM**

The ornamental design for a helicopter settling protector, as shown and described.

DESCRIPTION

FIG. 1 is a top perspective view of our helicopter settling protector taken from the front right;
 FIG. 2 is a bottom perspective view thereof taken from the rear left;
 FIG. 3 is a top view thereof;
 FIG. 4 is a front view thereof;
 FIG. 5 is a left side view thereof, the right side view being a mirror image thereof;
 FIG. 6 is a bottom view thereof; and,
 FIG. 7 is a rear view thereof.

1 Claim, 4 Drawing Sheets



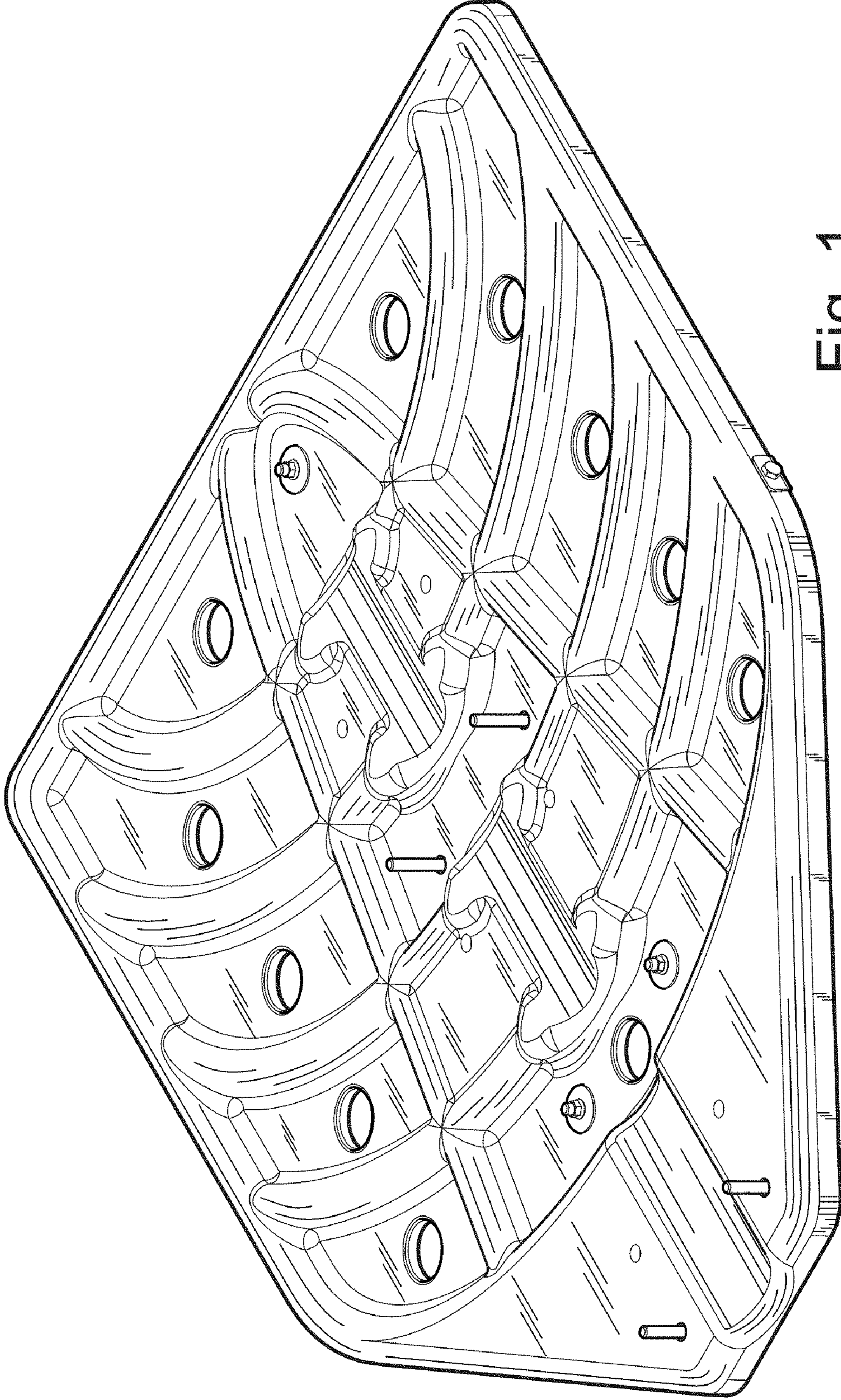


Fig. 1

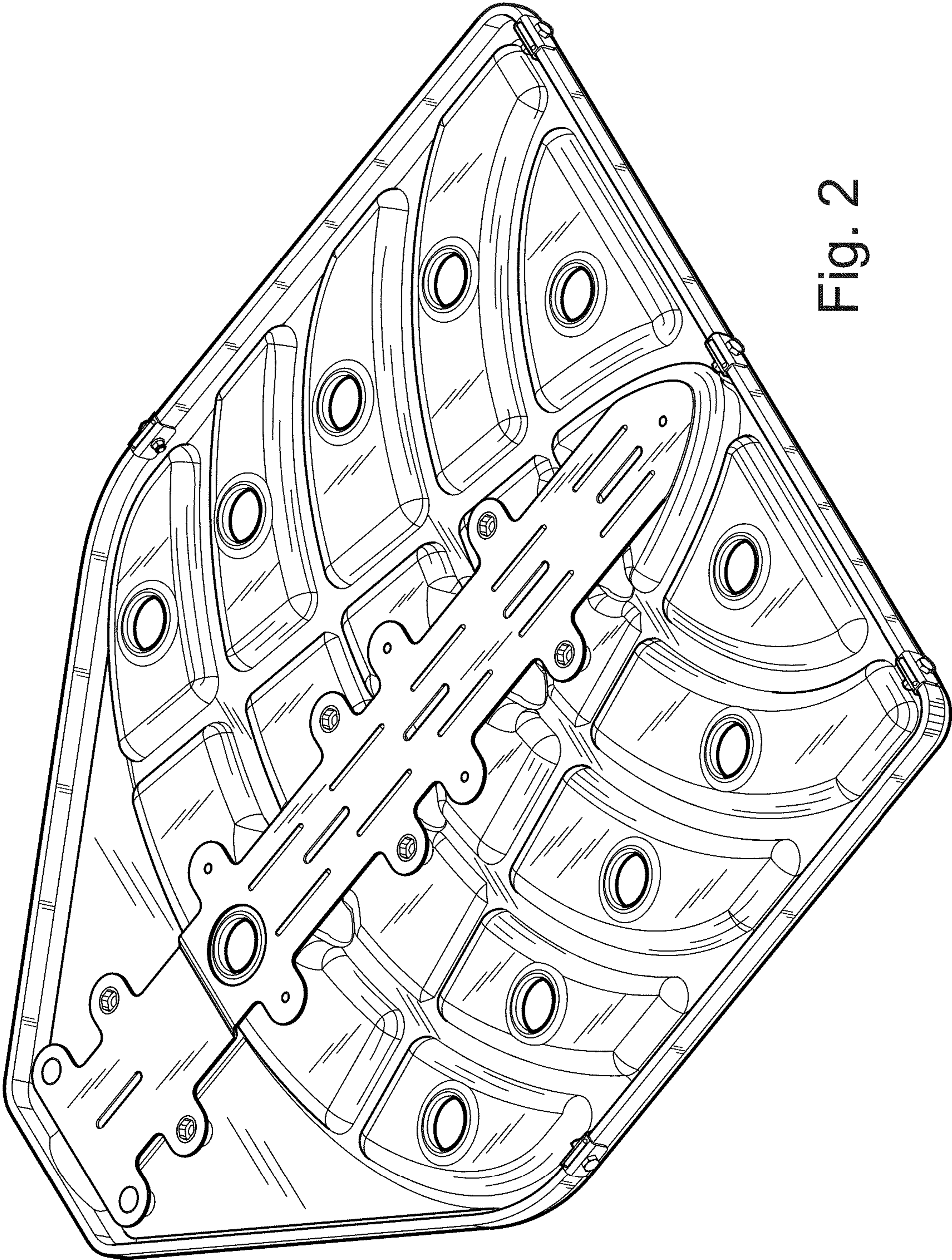


Fig. 2

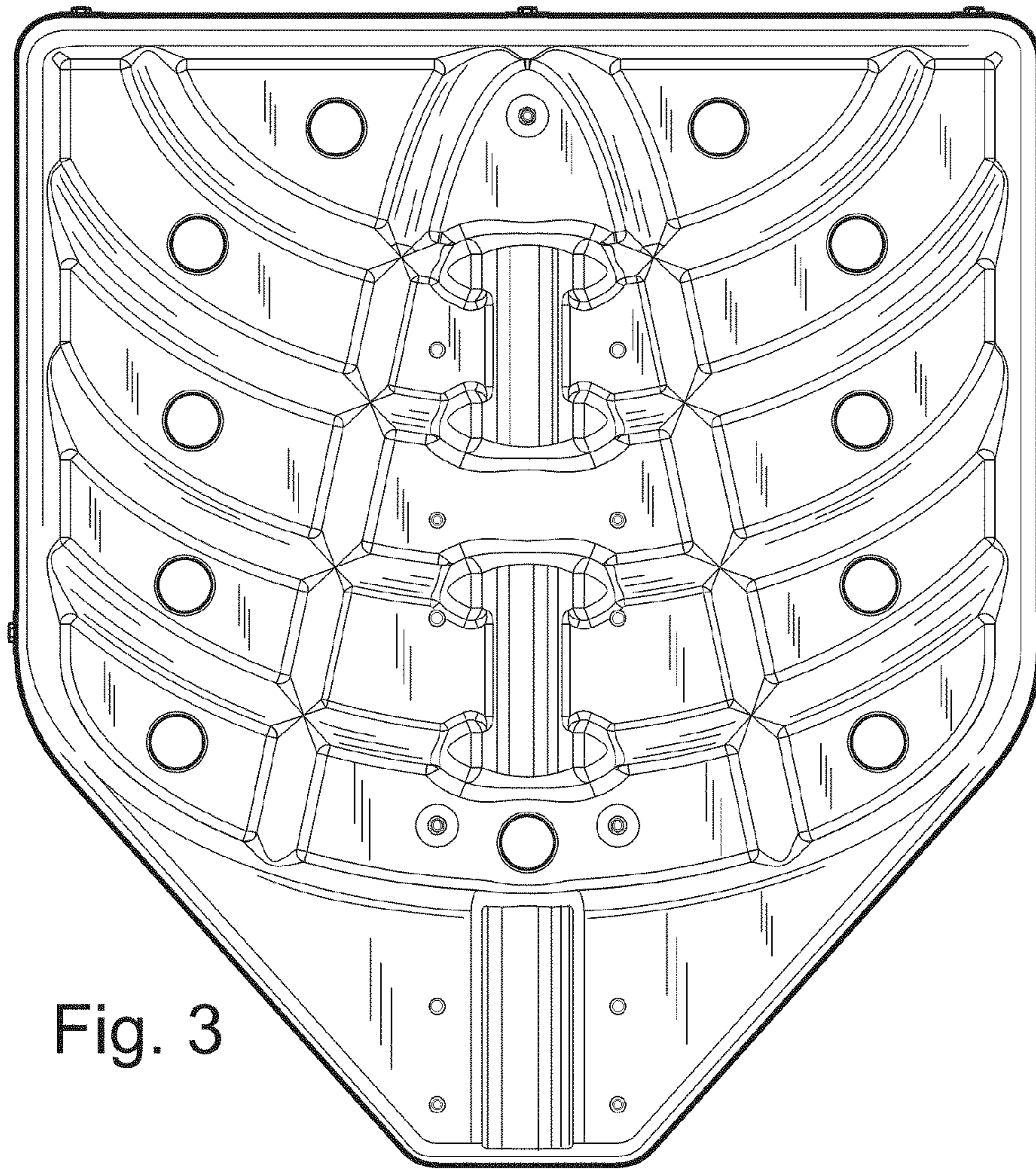


Fig. 3

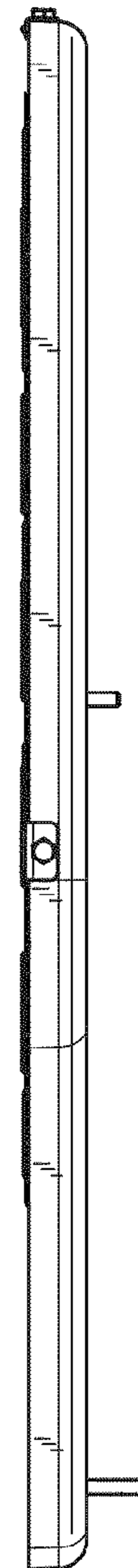


Fig. 5

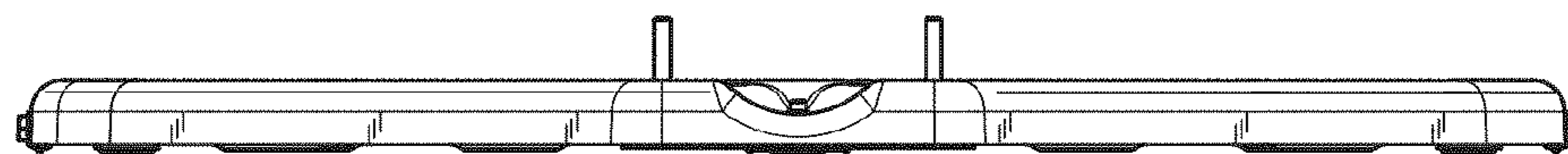


Fig. 4

Fig. 6

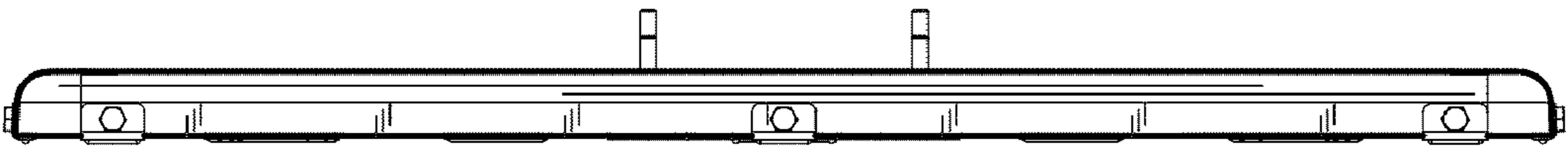
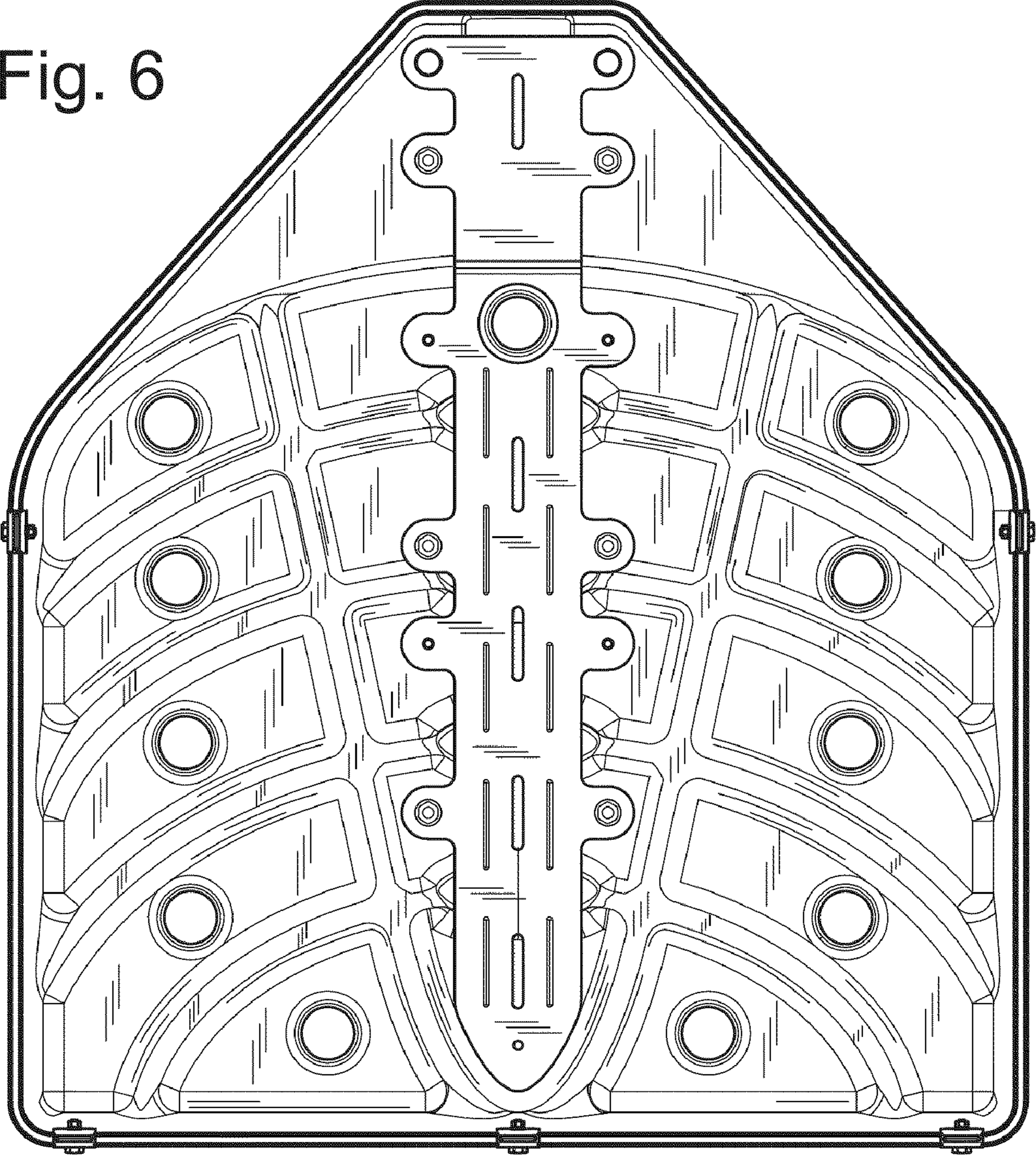


Fig. 7