



US00D628136S

(12) **United States Design Patent**
Leclercq

(10) **Patent No.:** **US D628,136 S**

(45) **Date of Patent:** **** Nov. 30, 2010**

(54) **WHEEL OR WHEEL COVER**

(75) Inventor: **Pierre Leclercq**, Munich (DE)

(73) Assignee: **Bayerische Motoren Werke Aktiengesellschaft**, Munich (DE)

(**) Term: **14 Years**

(21) Appl. No.: **29/361,068**

(22) Filed: **May 5, 2010**

(30) **Foreign Application Priority Data**

Nov. 6, 2009 (DE) 402009005430

(51) **LOC (9) Cl.** **12-16**

(52) **U.S. Cl.** **D12/211**

(58) **Field of Classification Search** D12/204-213;
301/37.101, 64.101, 65, 64.201

See application file for complete search history.

(56) **References Cited**

U.S. PATENT DOCUMENTS

D402,951 S	12/1998	Wechner	
D419,945 S *	2/2000	Hartanto	D12/211
D479,178 S *	9/2003	Lai	D12/211
D489,033 S *	4/2004	Lee	D12/211
D499,686 S *	12/2004	Song	D12/211
D509,467 S	9/2005	Gabath	
D516,003 S	2/2006	Huet	
D516,489 S *	3/2006	Alonso	D12/211
D522,954 S	6/2006	Hueller	
D526,947 S *	8/2006	Kim	D12/209
D528,962 S	9/2006	Blasi	
D541,203 S *	4/2007	Sulahian	D12/211
D541,724 S *	5/2007	Gallert	D12/211
D568,800 S *	5/2008	Huet	D12/211
D576,094 S *	9/2008	Bernoni	D12/211

D578,053 S *	10/2008	Neeper	D12/211
D583,742 S *	12/2008	Juergens et al.	D12/211
D593,022 S	5/2009	Forster et al.	
D597,015 S *	7/2009	Juergens et al.	D12/211

FOREIGN PATENT DOCUMENTS

DE	M9704929.8	11/1997
DE	49904345.6	11/1999
EM	000226436-0006	11/2004
EM	000304274-0003	5/2005
EM	000422795-0007	12/2005
EM	000398052-0002	8/2006
EM	000976881-0001	10/2008
EM	001636978-0018	11/2009

* cited by examiner

Primary Examiner—Stacia Cadmus

(74) *Attorney, Agent, or Firm*—Crowell & Moring LLP

(57) **CLAIM**

The ornamental design for a wheel or wheel cover, as shown and described.

DESCRIPTION

This application contains subject matter related to the following co-pending U.S. design patent application:

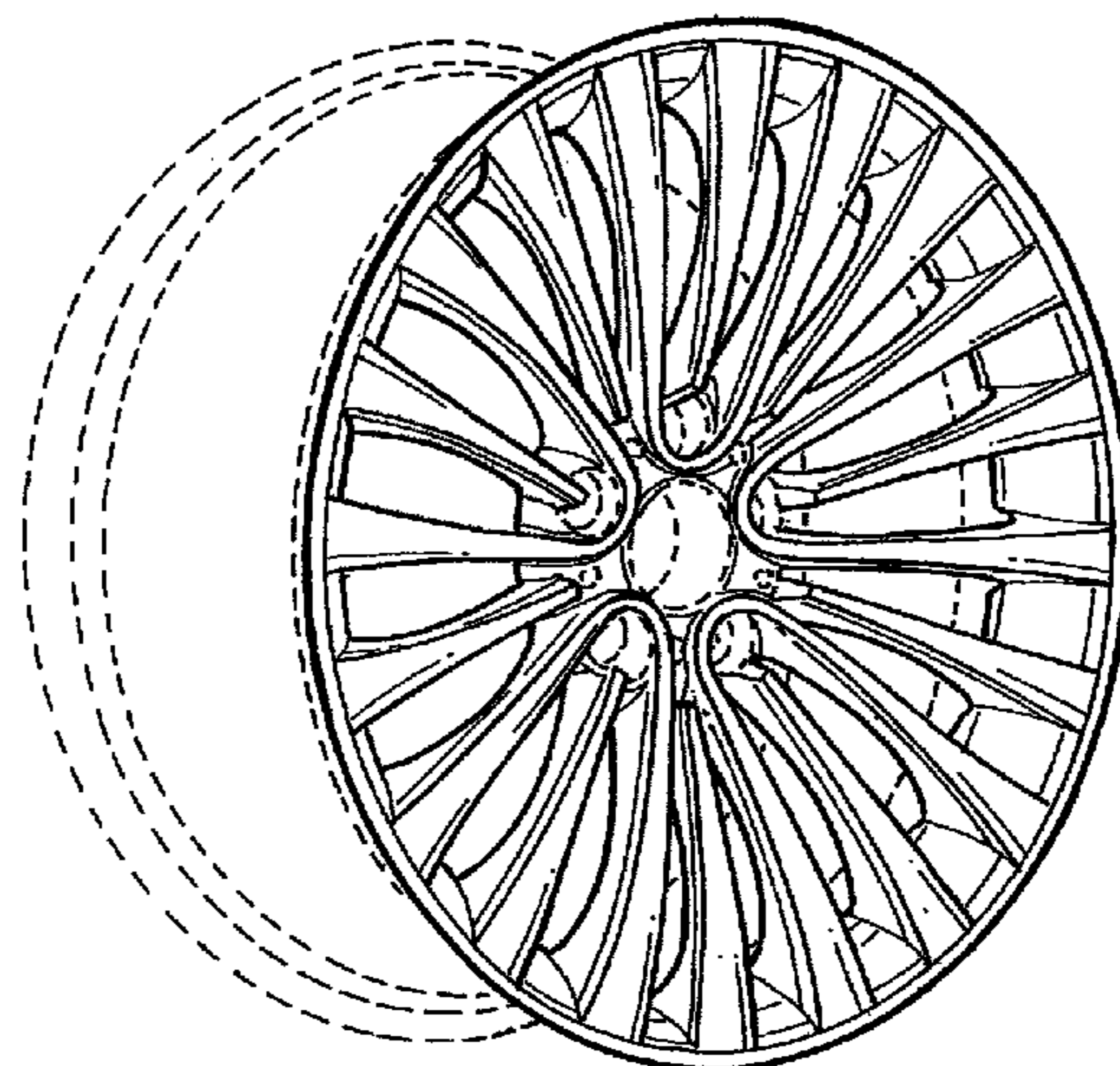
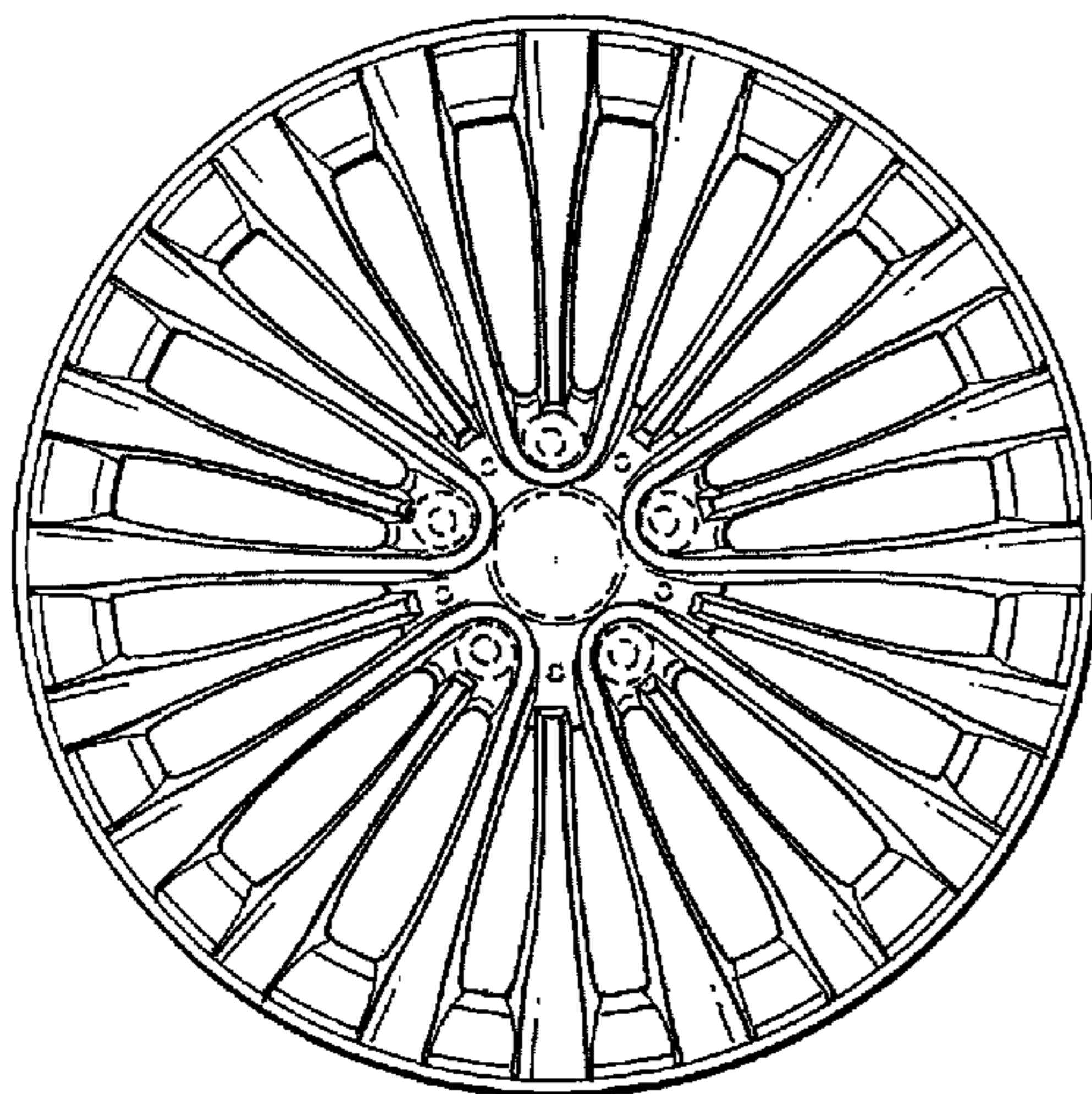
Application Ser. No. 29/347,272, filed Nov. 19, 2009.

FIG. 1 is a front view of a wheel or wheel cover according to my design; and,

FIG. 2 is a perspective view thereof.

The broken line showing of the rear of the rim and the bolt holes and center hole in the central hub area is included for the purpose of illustrating environment and forms no part of the claimed design.

1 Claim, 1 Drawing Sheet



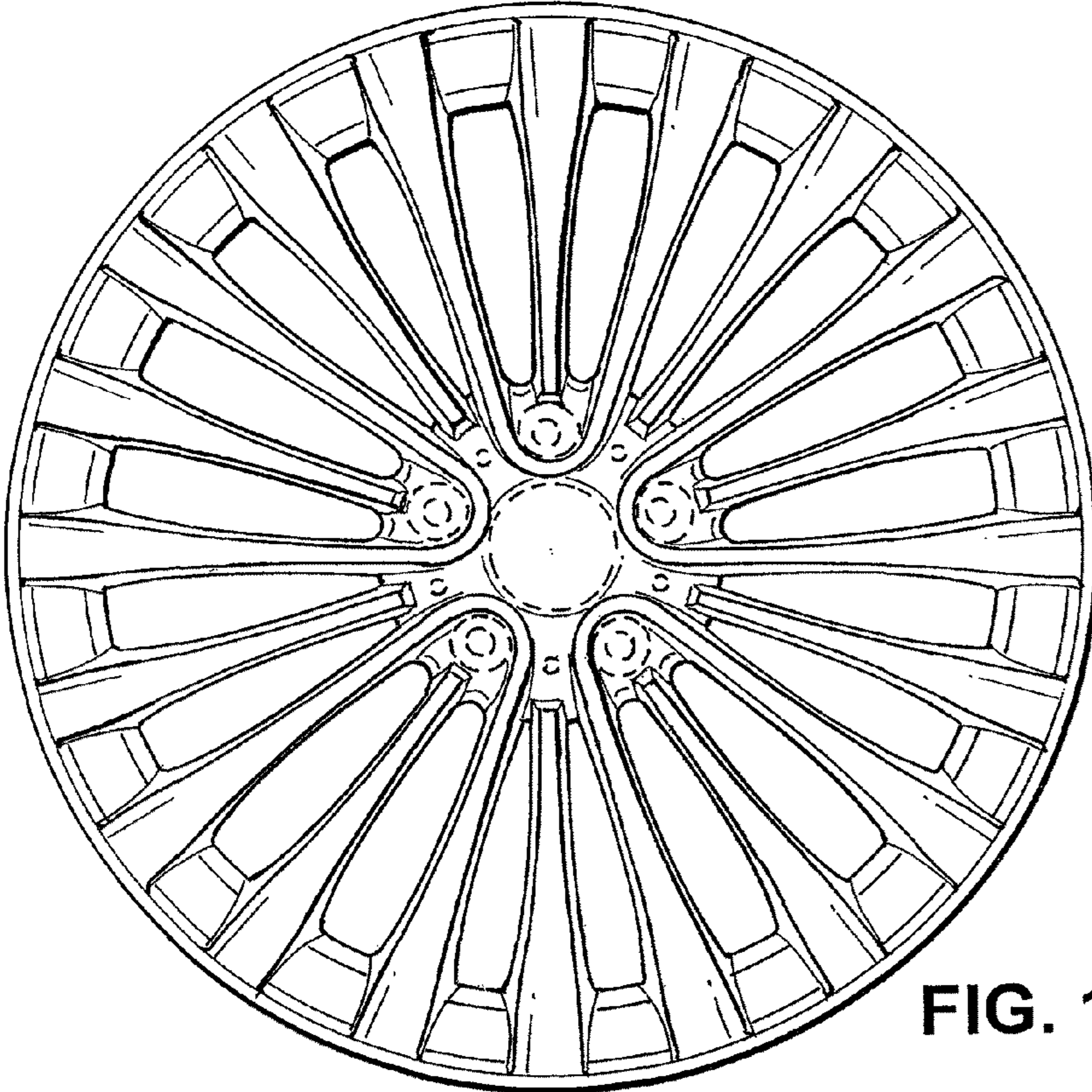


FIG. 1

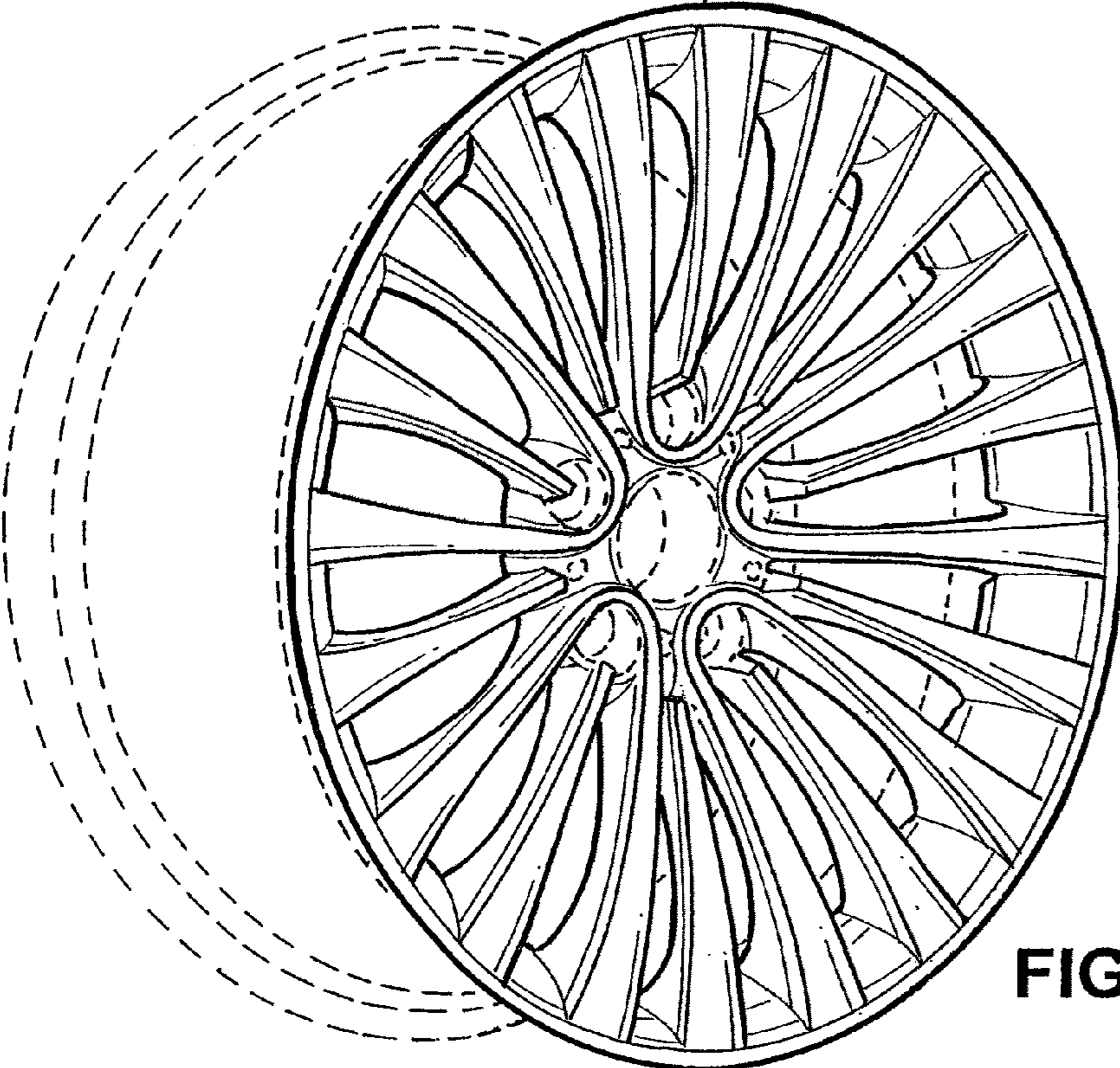


FIG. 2