



US00D628135S

(12) **United States Design Patent**  
**Zhao**

(10) **Patent No.:** **US D628,135 S**

(45) **Date of Patent:** **\*\* Nov. 30, 2010**

(54) **FRONT FACE OF A VEHICLE WHEEL**

(76) **Inventor:** **John Zhao**, 283 E. Garvey Ave.,  
Monterey Park, CA (US) 91755

(\*\*) **Term:** **14 Years**

(21) **Appl. No.:** **29/360,442**

(22) **Filed:** **Apr. 26, 2010**

(51) **LOC (9) Cl.** ..... **12-16**

(52) **U.S. Cl.** ..... **D12/211**

(58) **Field of Classification Search** ..... D12/204–213;  
301/37.101, 64.101, 65, 64.201

See application file for complete search history.

(56) **References Cited**

**U.S. PATENT DOCUMENTS**

D466,067 S	*	11/2002	Muzzarelli	.....	D12/211
D502,135 S	*	2/2005	Weld	.....	D12/211
D521,437 S	*	5/2006	Long	.....	D12/209
D542,726 S	*	5/2007	Hieke	.....	D12/209
D553,067 S	*	10/2007	Muzzarelli	.....	D12/211
D567,739 S	*	4/2008	Kim	.....	D12/211
D570,758 S	*	6/2008	Bhambra	.....	D12/209
D572,185 S	*	7/2008	Pollmann	.....	D12/211

D586,715 S	*	2/2009	Cortes	.....	D12/211
D589,427 S	*	3/2009	Scheu	.....	D12/211
D594,803 S	*	6/2009	Pollmann	.....	D12/211
D597,916 S	*	8/2009	Chung	.....	D12/209
D597,917 S	*	8/2009	Chung	.....	D12/209
D603,778 S	*	11/2009	Chung	.....	D12/211
D613,662 S	*	4/2010	Cortes	.....	D12/211

\* cited by examiner

*Primary Examiner*—Stacia Cadmus

(74) *Attorney, Agent, or Firm*—Procopio, Cory, Hargreaves & Savitch LLP

(57) **CLAIM**

The ornamental design for a front face of a vehicle wheel, as shown and described.

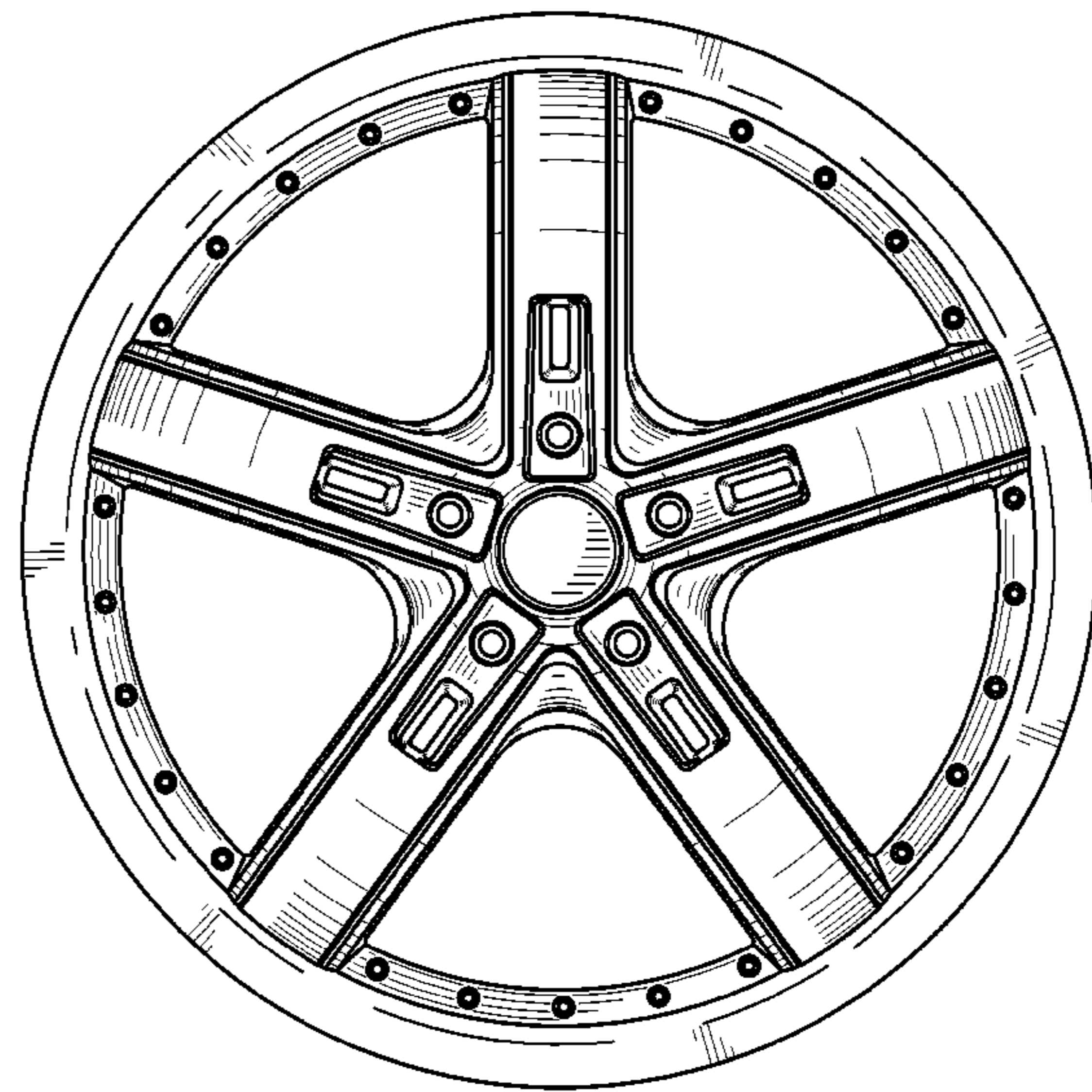
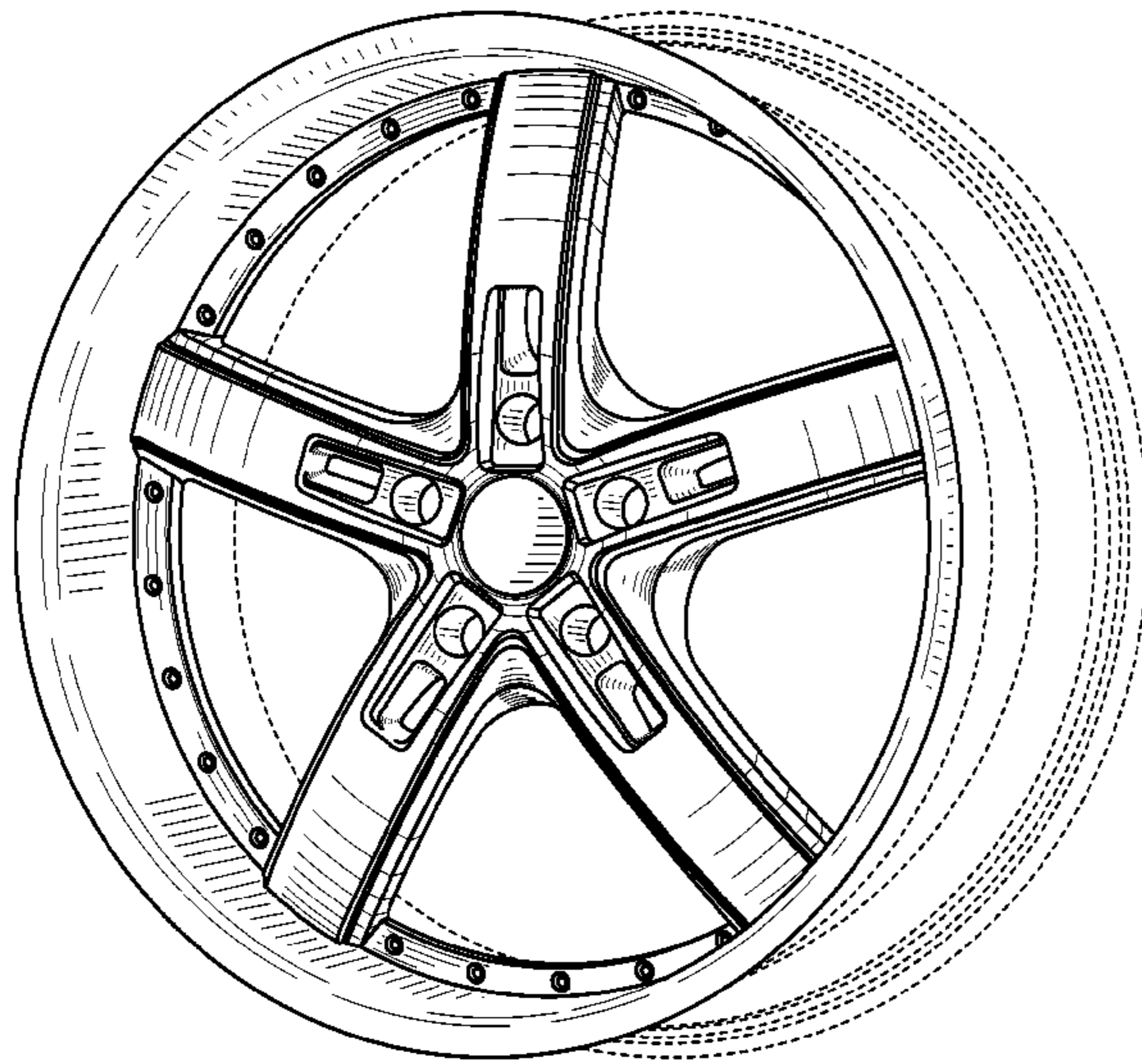
**DESCRIPTION**

FIG. 1 is a perspective view of a front face of a vehicle wheel embodying my new design; and,

FIG. 2 is a front view thereof.

The broken lines are for illustrative purposes only and form no part of the claimed design.

**1 Claim, 2 Drawing Sheets**



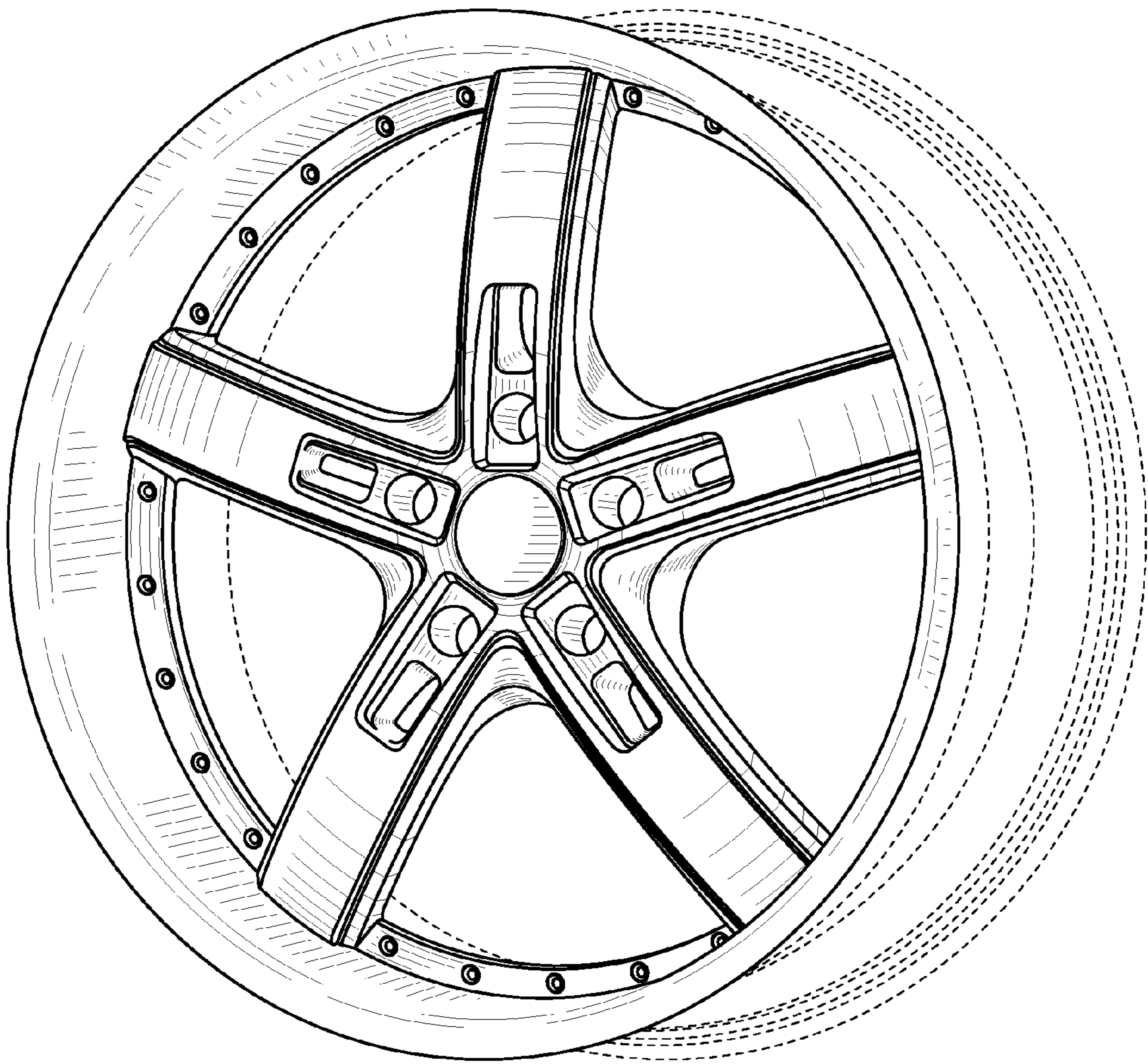
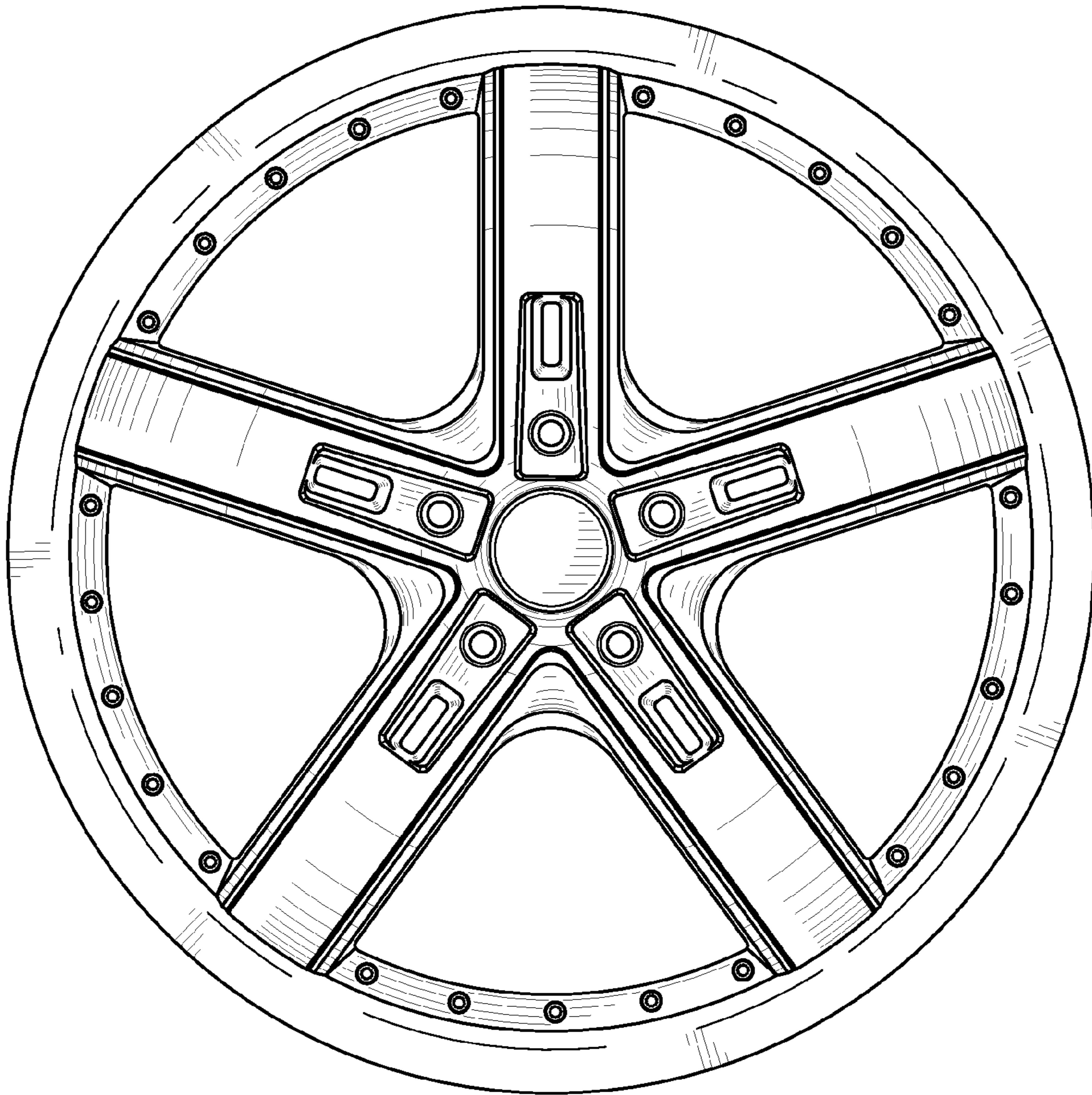


FIG. 1





**FIG. 2**