



US00D628132S

(12) **United States Design Patent**
Grzyb et al.

(10) **Patent No.:** **US D628,132 S**

(45) **Date of Patent:** **** Nov. 30, 2010**

(54) **TABBED COVER**

(75) Inventors: **Krzysztof Grzyb**, Aurora, IL (US);
Mark A. Prichard, Glen Ellyn, IL (US)

(73) Assignee: **Control Solutions LLC**, Aurora, IL (US)

(**) Term: **14 Years**

(21) Appl. No.: **29/316,808**

(22) Filed: **Nov. 3, 2009**

(51) **LOC (9) Cl.** **12-08**

(52) **U.S. Cl.** **D12/195**

(58) **Field of Classification Search** D12/195,
D12/193, 414, 190, 196; 180/190; 280/750-752;
296/190.01-191, 70, 193.08, 145, 153, 37.1-37.13;
D15/17, 28; D10/46, 98, 102-103; 49/501-502;
D8/302-303

See application file for complete search history.

(56) **References Cited**

U.S. PATENT DOCUMENTS

D386,458 S * 11/1997 Smith D12/190
D476,927 S * 7/2003 Delgado D12/167
D477,257 S * 7/2003 Delgado D12/167
D552,021 S * 10/2007 Teng D12/190

D594,797 S * 6/2009 Lee D12/190
D600,184 S * 9/2009 Baum D12/190
D608,263 S * 1/2010 Truebsbach D12/190
2007/0132280 A1 * 6/2007 Wolf 296/208

* cited by examiner

Primary Examiner—Caron Veynar

Assistant Examiner—Katrina A Kile

(74) *Attorney, Agent, or Firm*—The Eclipse Group LLP

(57) **CLAIM**

We claim the ornamental design for a tabbed cover, as shown and described.

DESCRIPTION

FIG. 1 is a perspective view of the tabbed cover;

FIG. 2 is a side elevation view thereof;

FIG. 3 is a rear elevation view thereof;

FIG. 4 is a top plan view thereof;

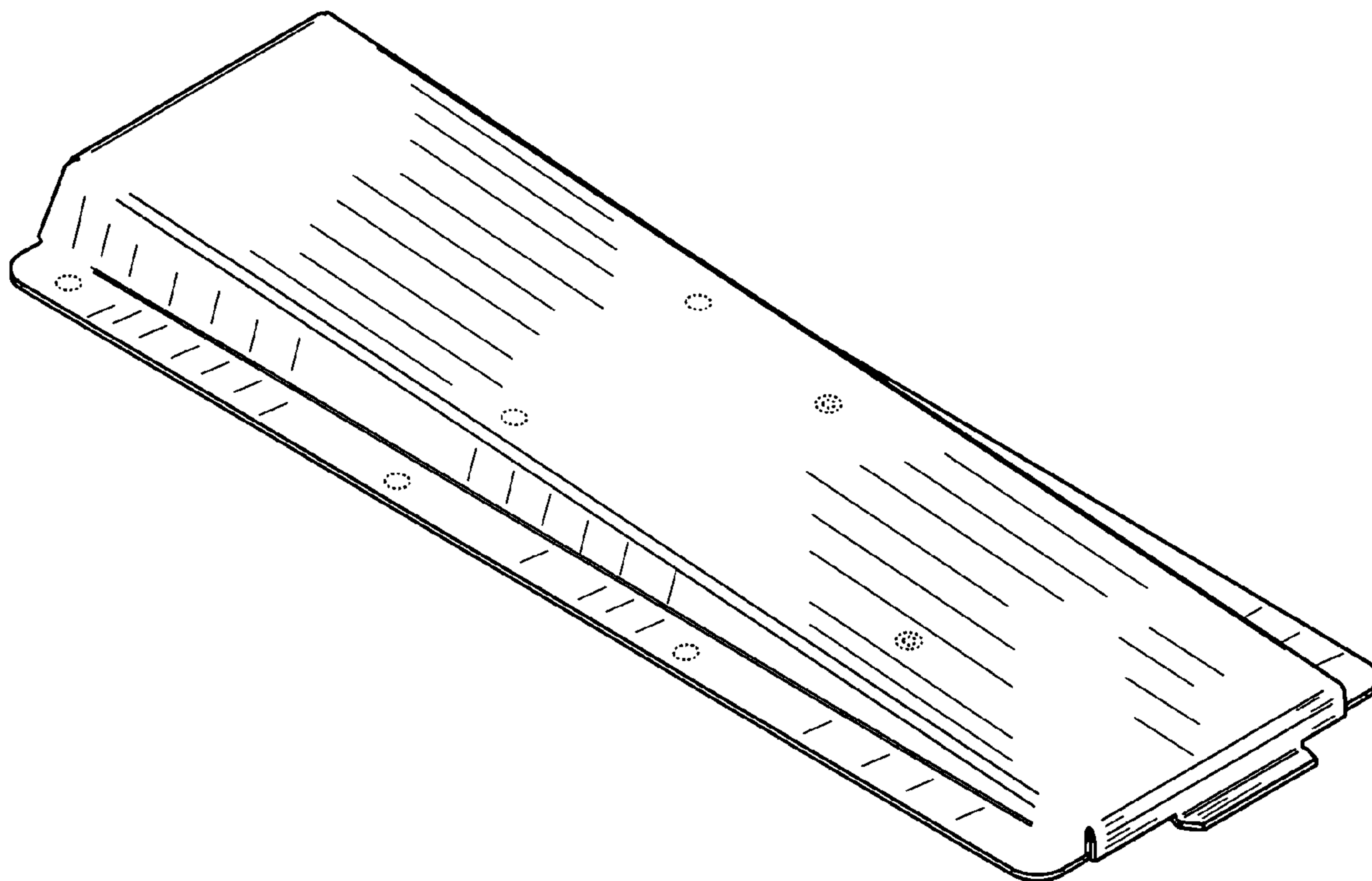
FIG. 5 is a front elevation view thereof;

FIG. 6 is a bottom plan view thereof; and,

FIG. 7 is a side elevation view thereof.

In the drawings, the broken lines depict portions of the design that form no part of the claim.

1 Claim, 3 Drawing Sheets



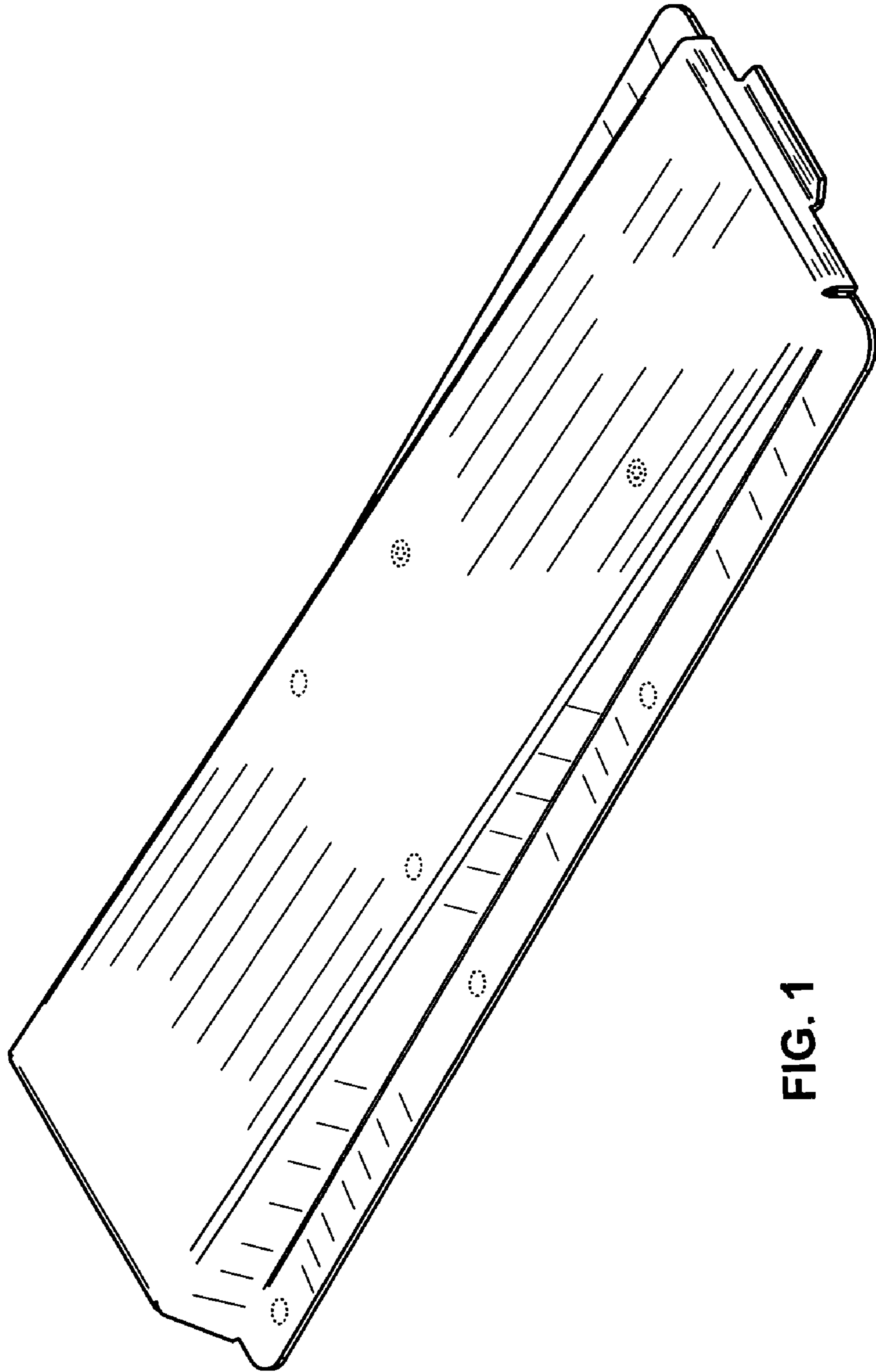


FIG. 1

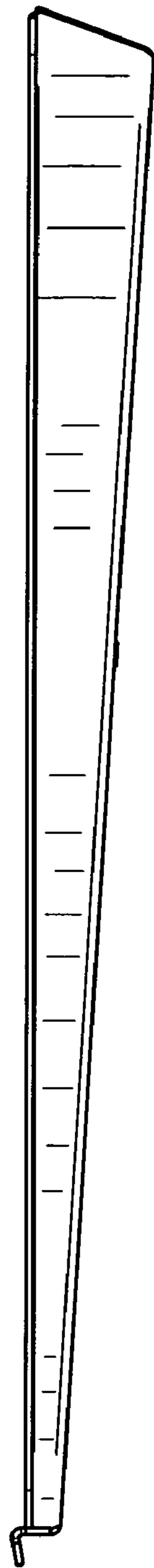


FIG. 2

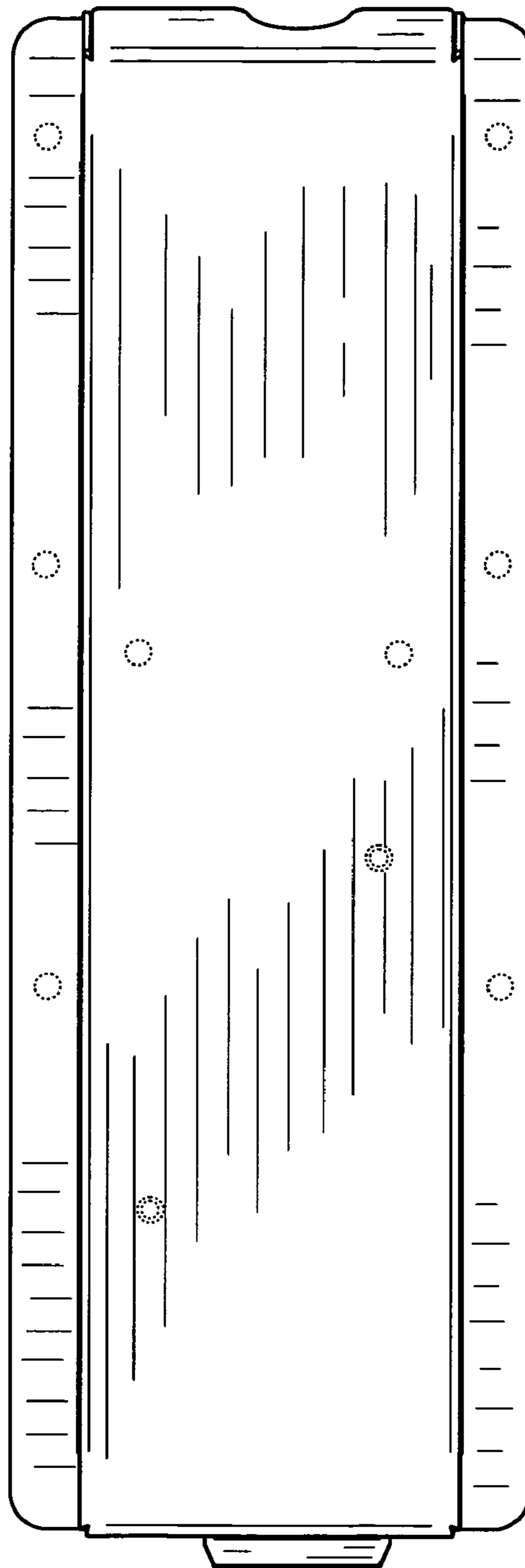


FIG. 4

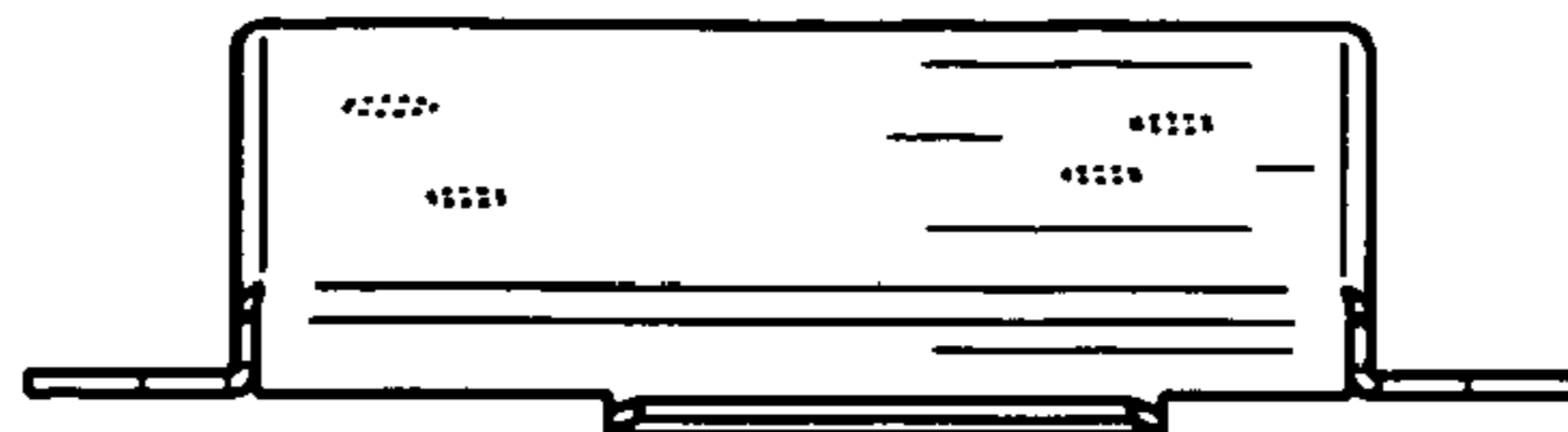


FIG. 3

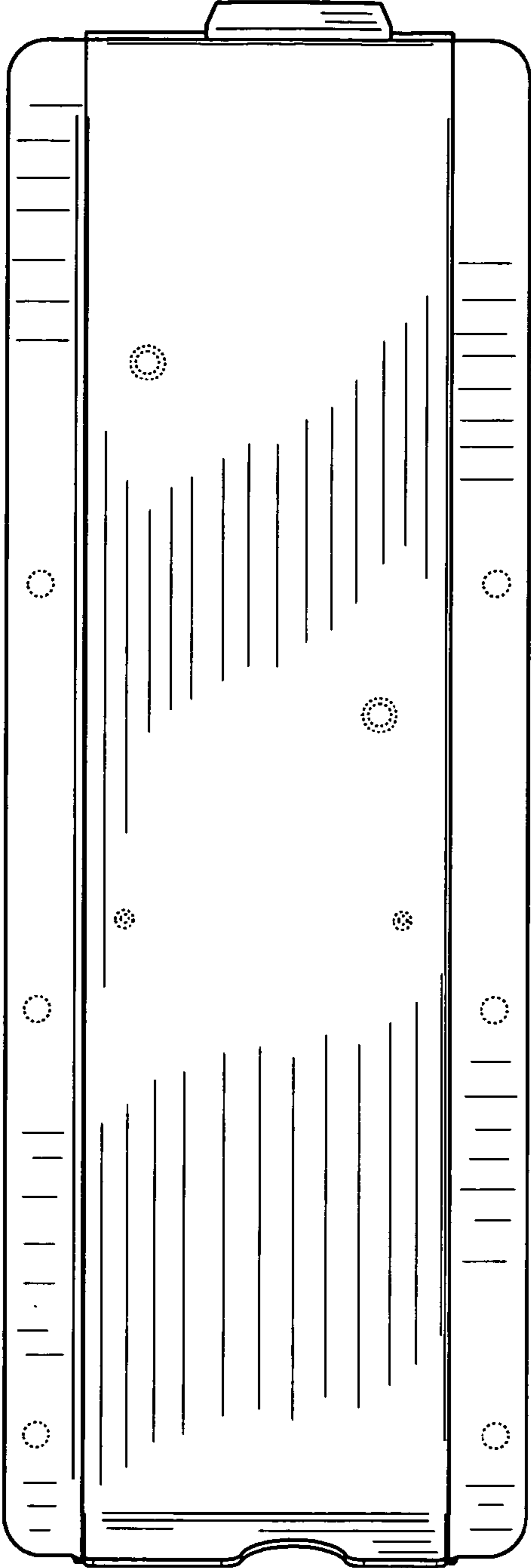


FIG. 5

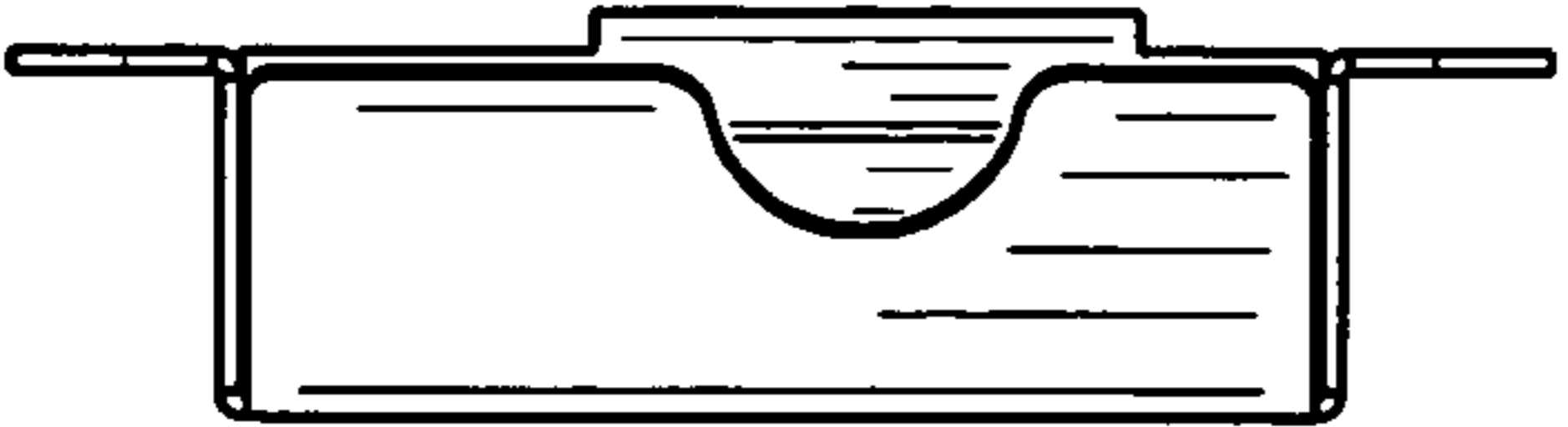


FIG. 6

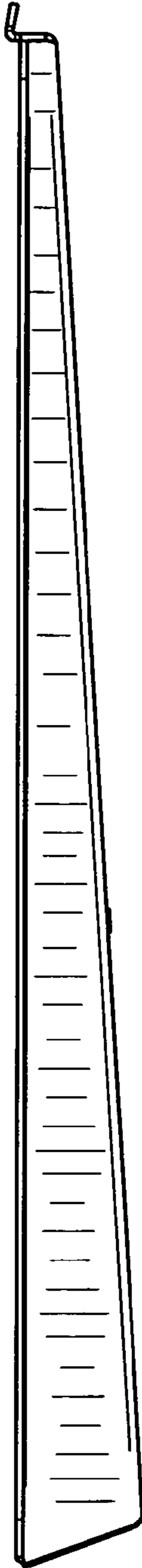


FIG. 7